



US00D402852S

United States Patent [19]

Benson

[11] **Patent Number: Des. 402,852**

[45] **Date of Patent: **Dec. 22, 1998**

[54] **BOWL**

[75] Inventor: **Kenneth R. Benson**, Southbury, Conn.

[73] Assignee: **Syracuse China Company**, Syracuse, N.Y.

[**] Term: **14 Years**

[21] Appl. No.: **74,788**

[22] Filed: **Jul. 31, 1997**

[51] **LOC (6) Cl. 07-01**

[52] **U.S. Cl. D7/545; D7/543**

[58] **Field of Search D7/629, 605, 540, D7/511, 586, 543, 566, 568, 570, 584, 587, 530, 542, 545, 548, 550, 565, 354, 360, 602, 608, 614, 554.3; 220/574, 606, 212; 229/406**

[56] **References Cited**

U.S. PATENT DOCUMENTS

D. 33,217	9/1900	Chevrier	D7/586
D. 50,401	2/1917	Miller	D7/565
D. 83,961	4/1931	Fisher	D7/565
D. 102,362	12/1936	Friedman et al.	D7/354
D. 115,524	7/1939	Randall	D7/565
D. 119,279	3/1940	May	D7/565
D. 160,860	11/1950	Heisey	D7/565
D. 184,651	3/1959	Woofter et al.	D7/545
D. 191,123	8/1961	Jones	D7/554.3

D. 346,311	4/1994	Boysen	D7/570
1,589,558	6/1926	Reizenstein	220/574
1,960,407	5/1934	Bothe	220/574
2,050,206	8/1936	Chaplin	220/574
2,763,421	9/1956	Bennett	229/406

Primary Examiner—M. N. Pandozzi
Attorney, Agent, or Firm—Emch, Schaffer, Schaub & Porcello Co., L.P.A.

[57] **CLAIM**

The ornamental design for a bowl, as shown and described.

DESCRIPTION

FIG. 1 is a perspective view of a first embodiment of the present design;

FIG. 2 is a side elevational view of the first embodiment; the other side elevational views being mirror images thereof;

FIG. 3 is a top view of the first embodiment;

FIG. 4 is a bottom view of the first embodiment;

FIG. 5 is a side elevational view of a second embodiment of the present design; the other side elevational views being mirror images thereof;

FIG. 6 is a top view of the second embodiment;

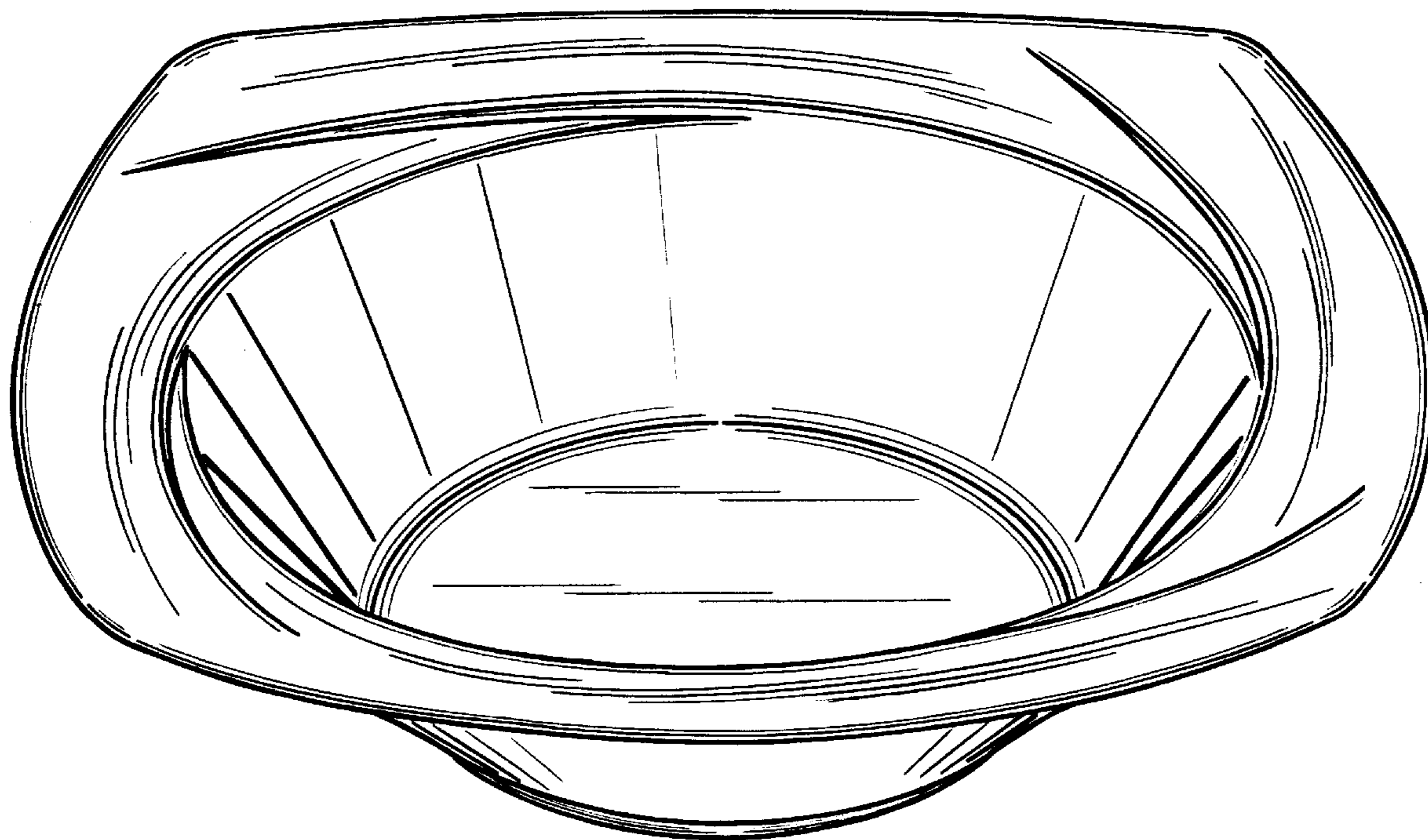
FIG. 7 is a bottom view of the second embodiment;

FIG. 8 is a side elevational view of a third embodiment of the present design; the other side elevational views being mirror images thereof;

FIG. 9 is a top view of the third embodiment; and,

FIG. 10 is a bottom view of the third embodiment.

1 Claim, 7 Drawing Sheets



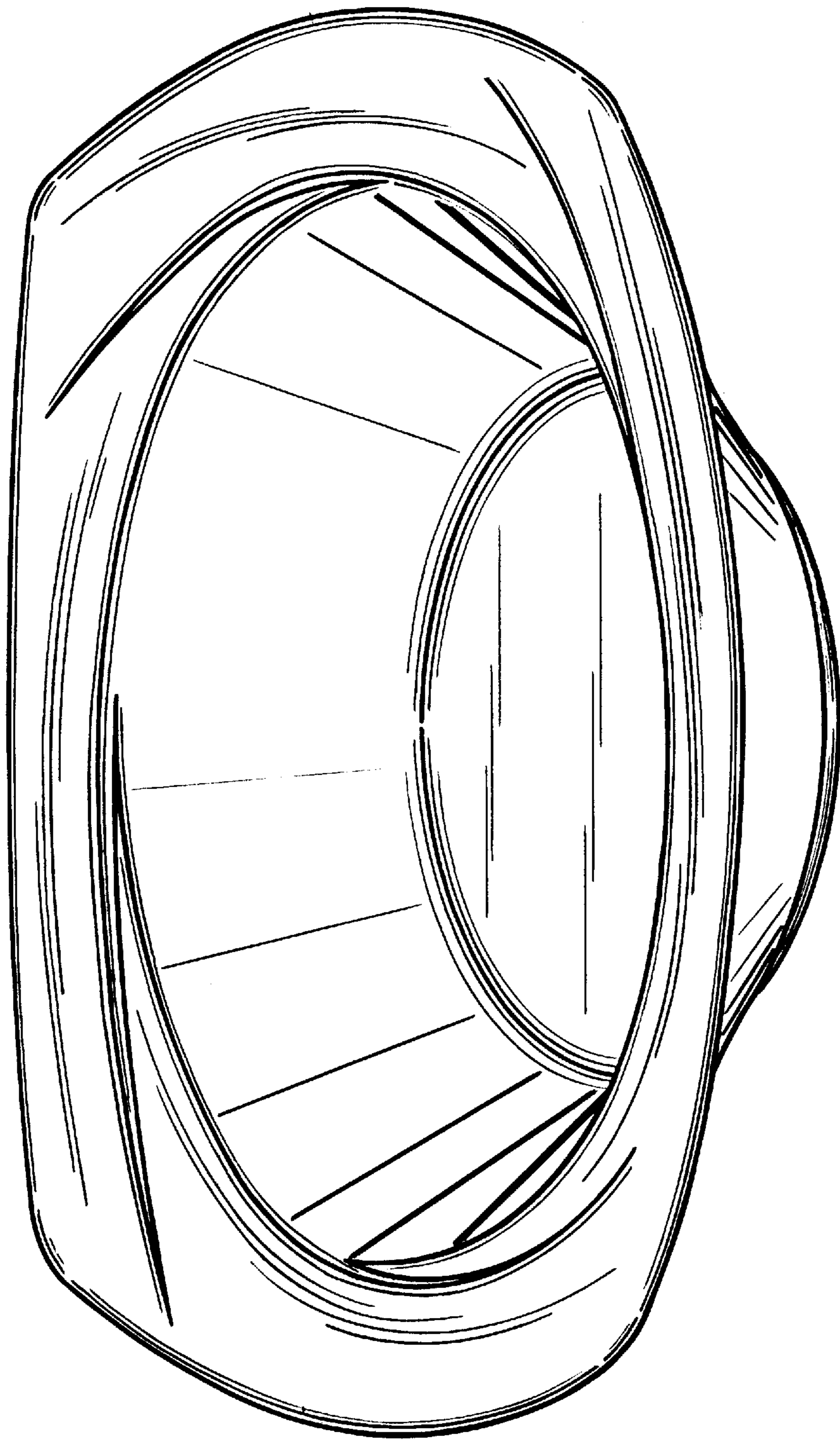


FIG. 1

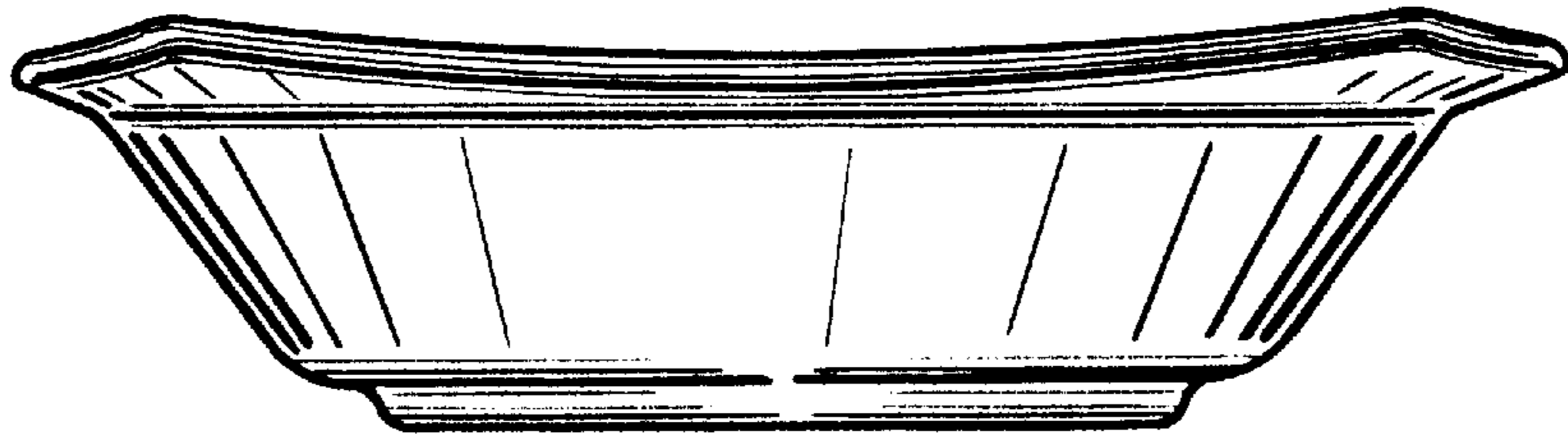


FIG. 2

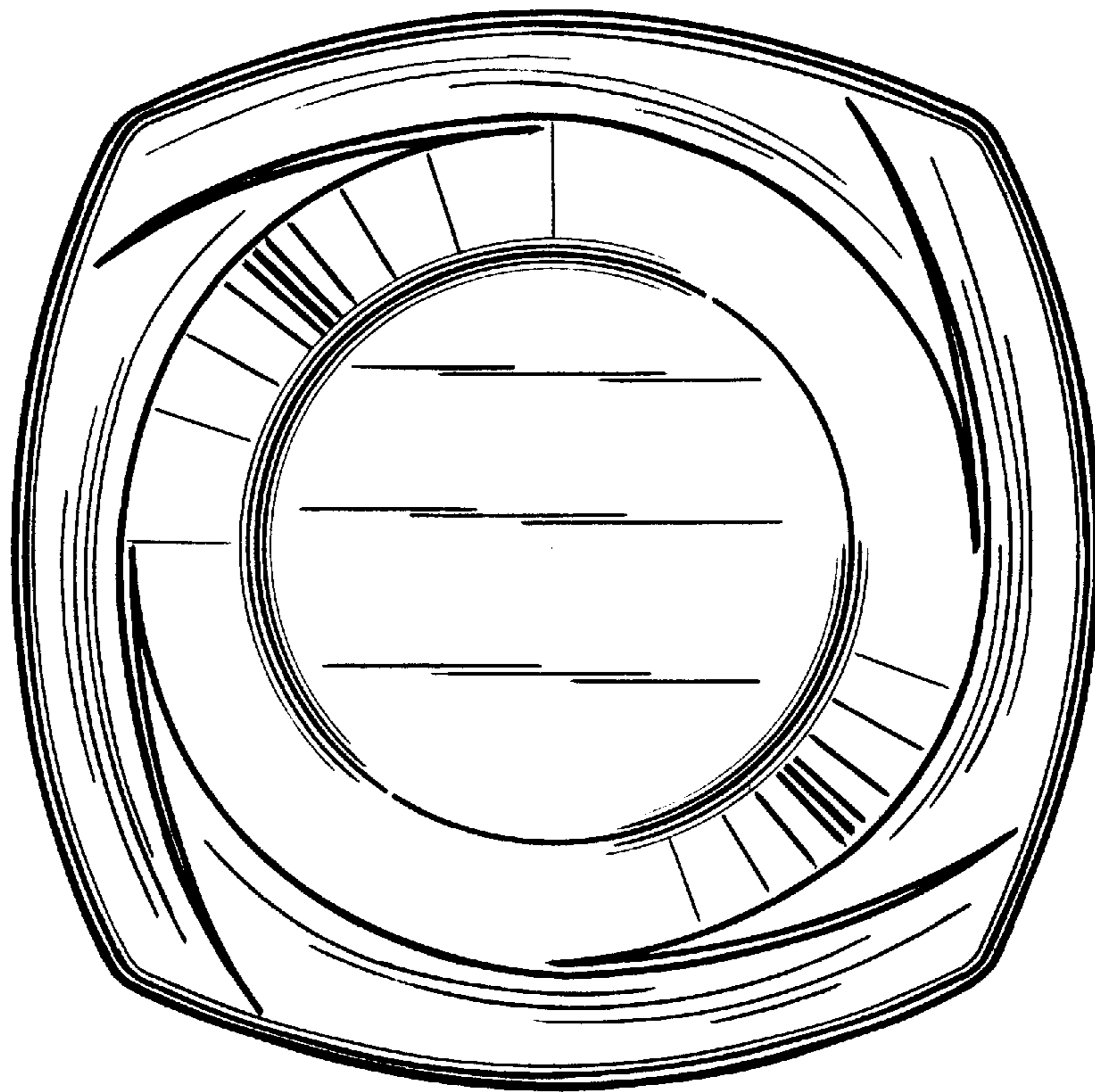


FIG. 3

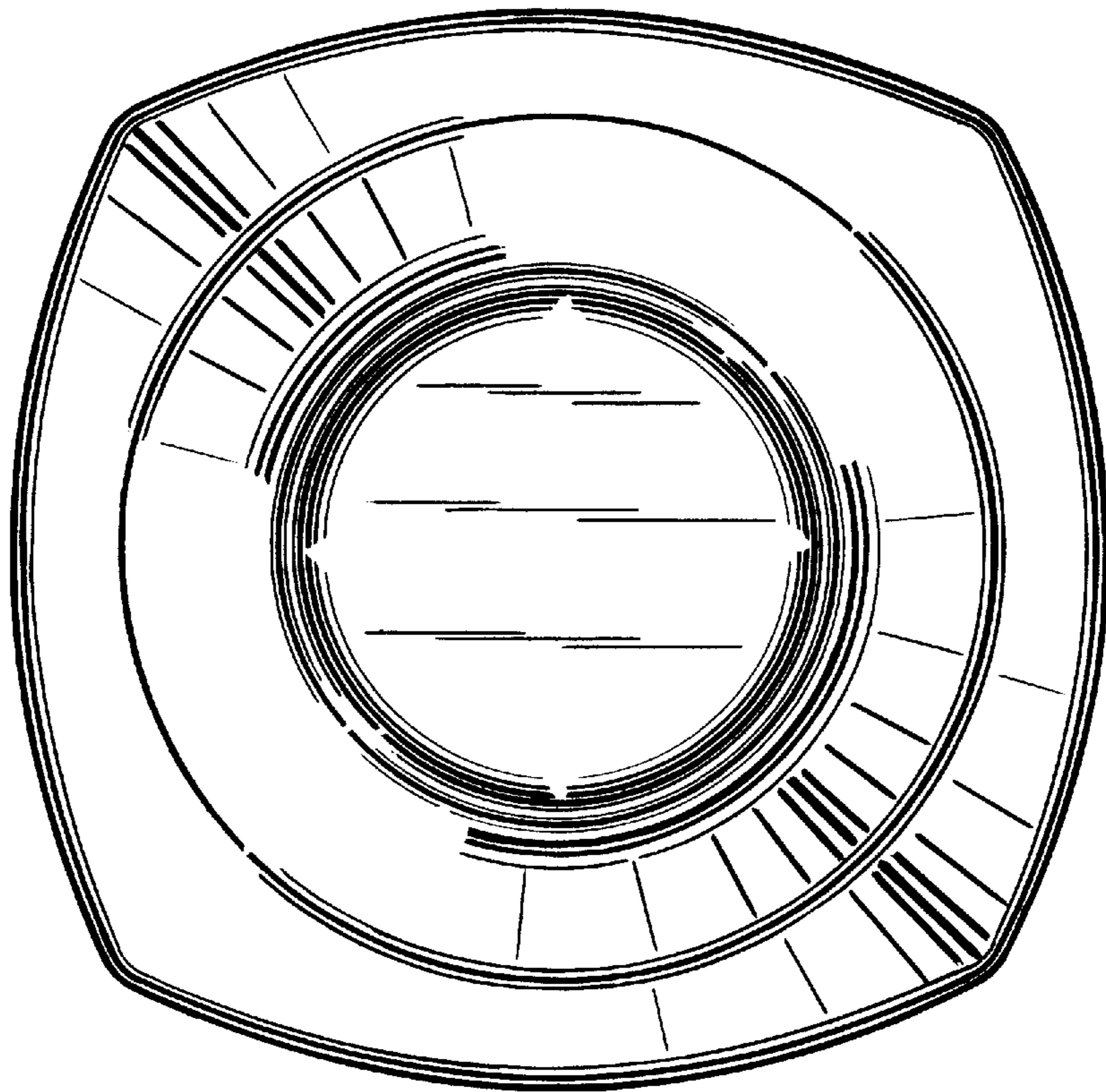


FIG. 4

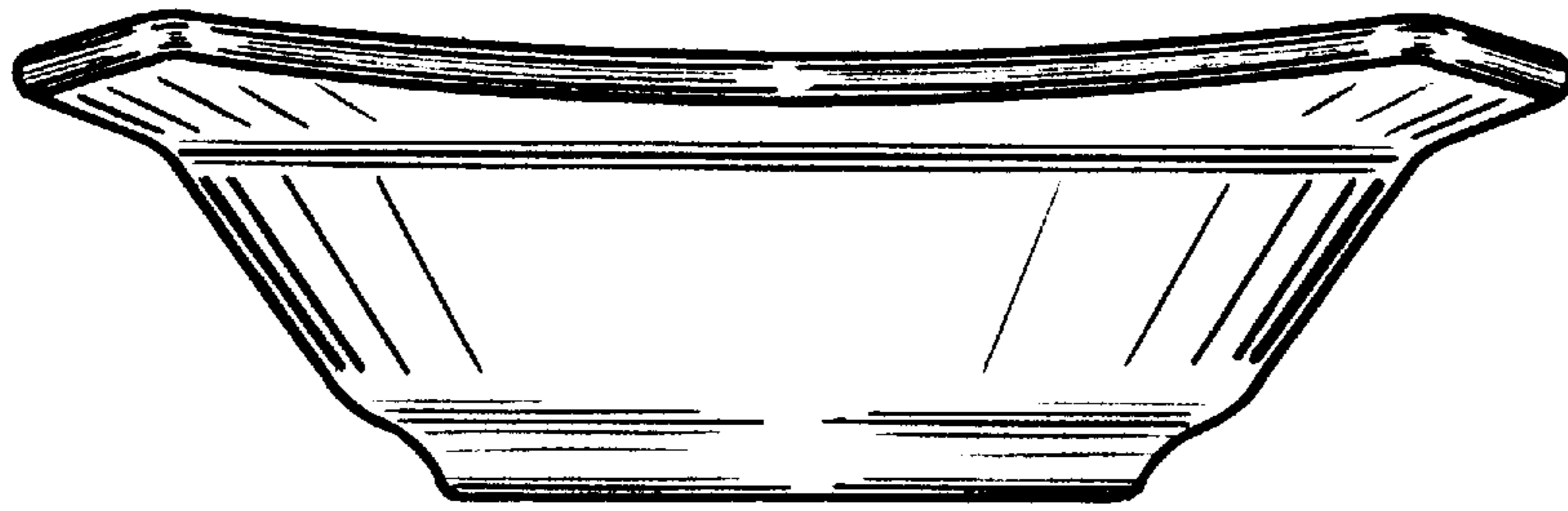


FIG. 5

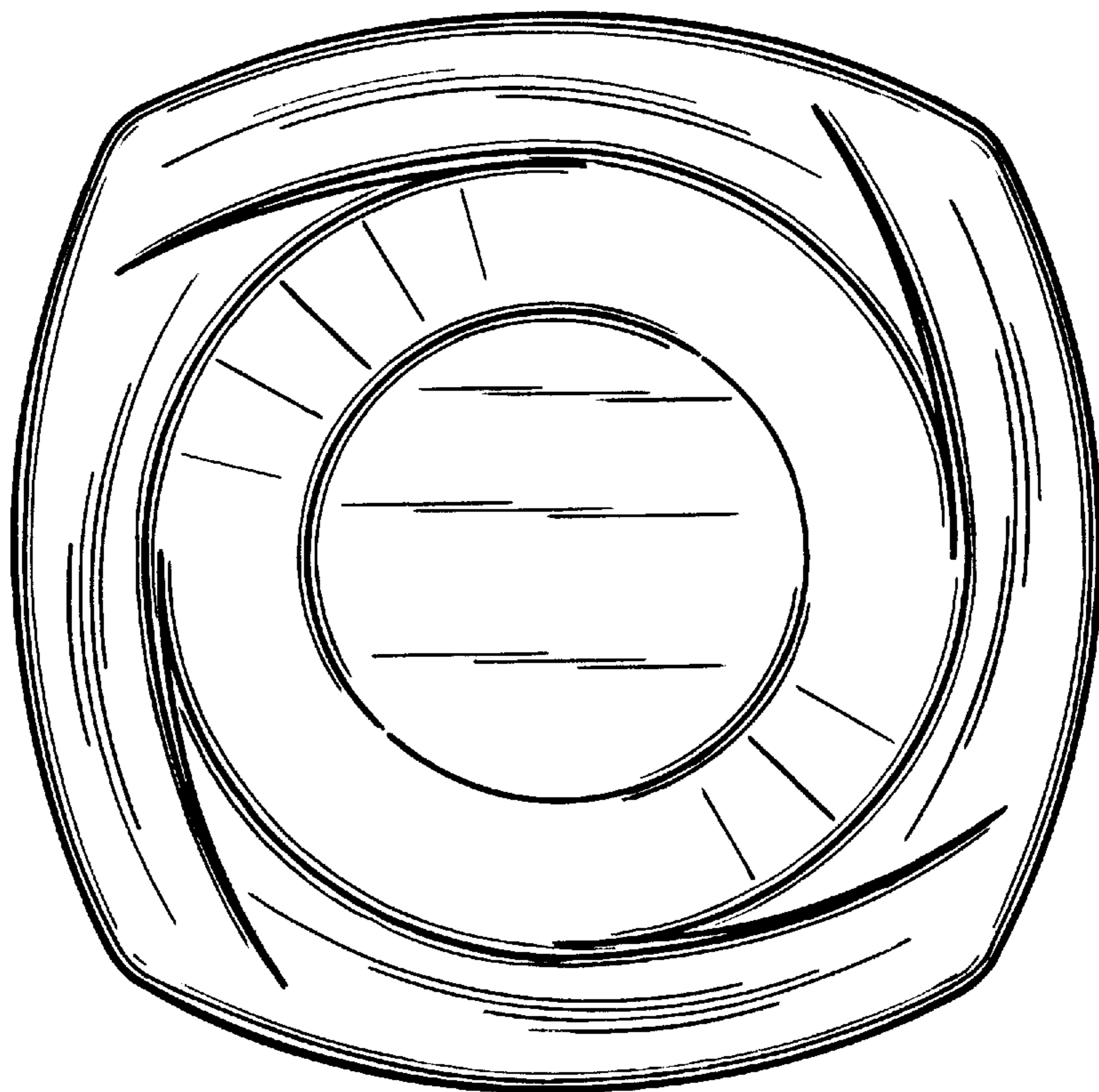


FIG. 6

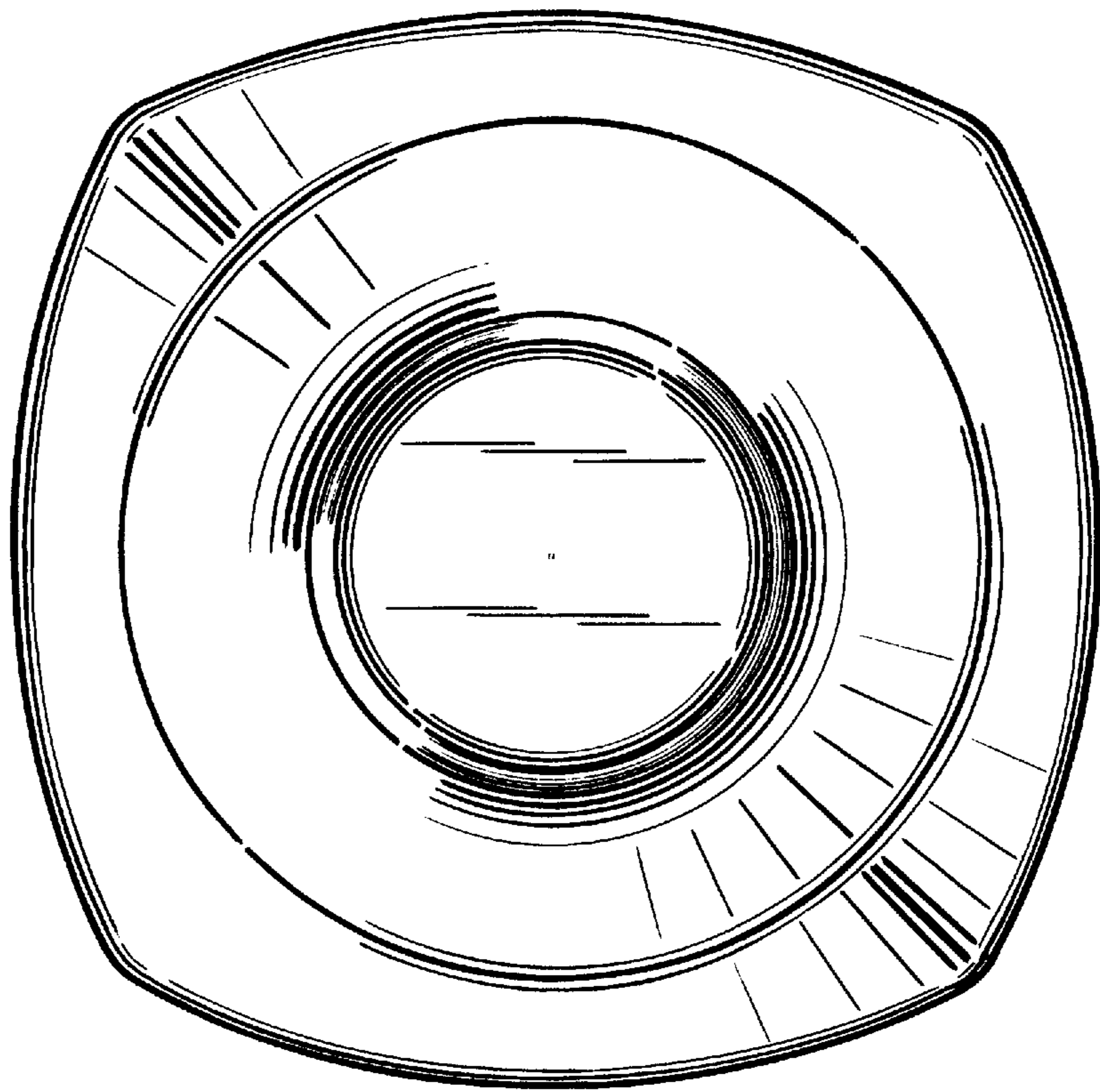


FIG. 7

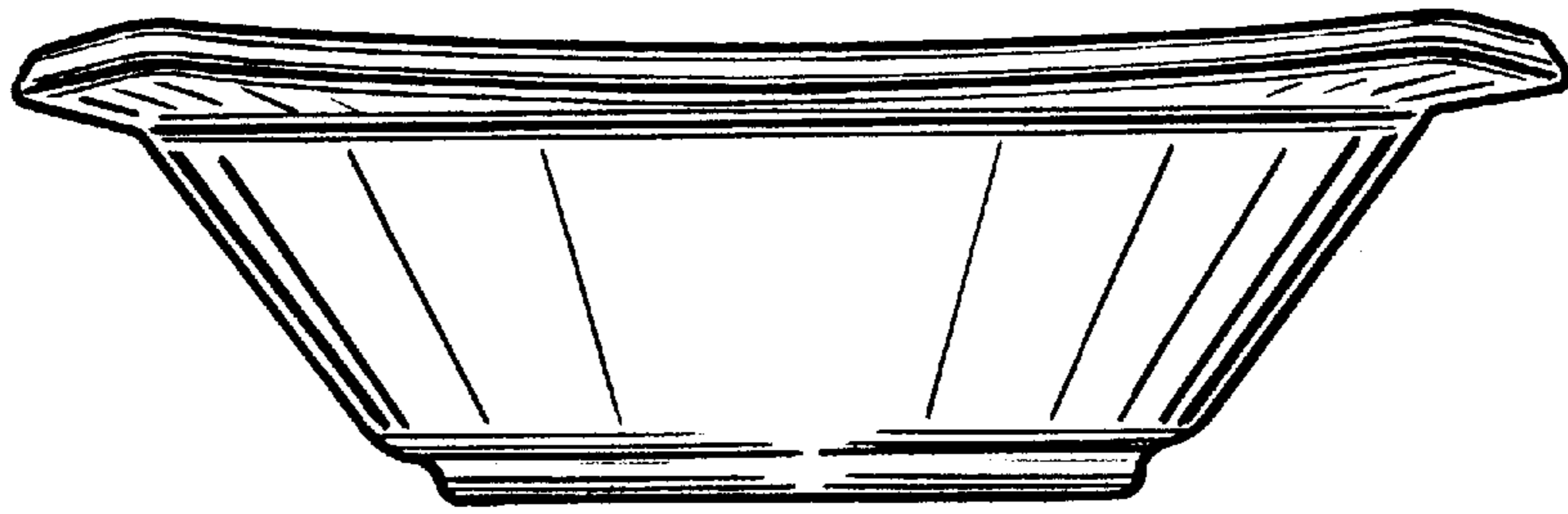


FIG. 8

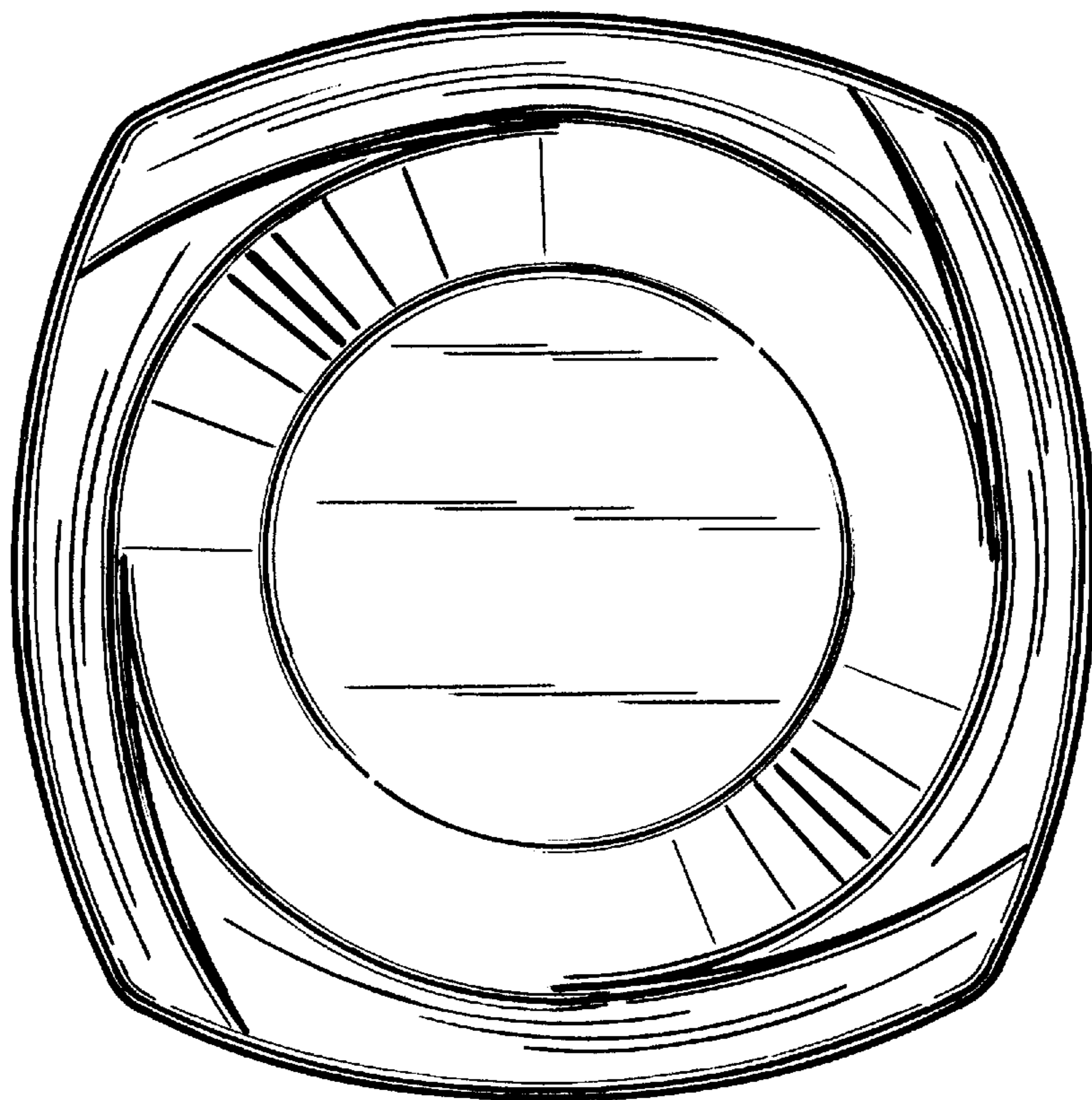


FIG. 9

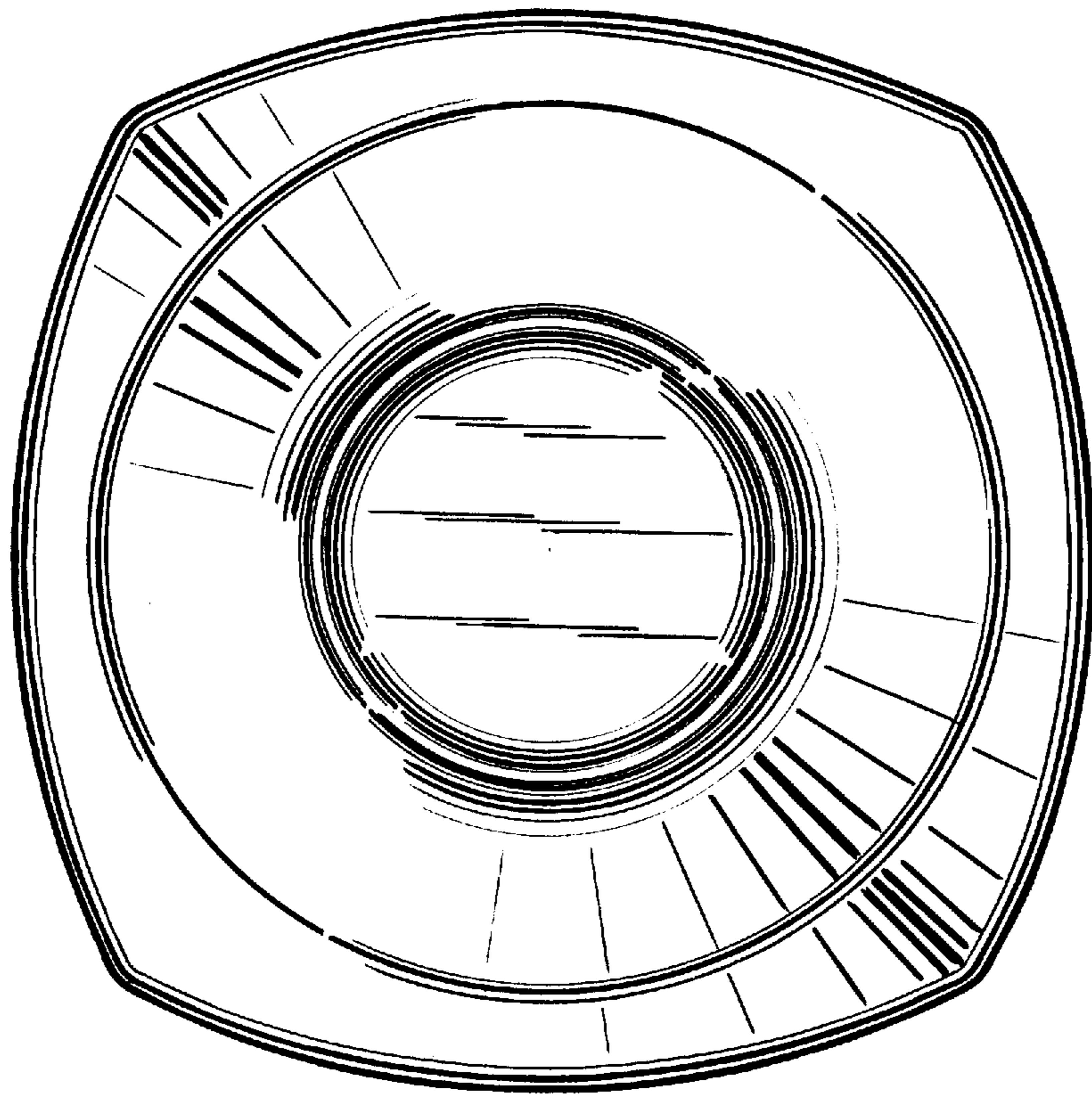


FIG. 10