



US00D402835S

United States Patent [19] Cyr et al.

[11] **Patent Number: Des. 402,835**
[45] **Date of Patent: **Dec. 22, 1998**

[54] **DISPLAY CASE**

[75] Inventors: **Roch Cyr, Montreal; John Wardrope, Winnipeg, both of Canada**

[73] Assignee: **Imperial Tobacco Limited, Montreal, Canada**

[**] Term: **14 Years**

[21] Appl. No.: **81,310**

[22] Filed: **Dec. 30, 1997**

[30] Foreign Application Priority Data

Nov. 4, 1997 [CA] Canada 19972842

[51] **LOC (6) Cl. 06-04**

[52] **U.S. Cl. D6/509; D6/472**

[58] **Field of Search D6/509, 470-472, D6/432, 436; 312/114, 138.1, 140, 117, 126, 127, 128, 129, 130, 140.2, 204, 257.1**

[56] References Cited

U.S. PATENT DOCUMENTS

- D. 130,002 10/1941 Oswell .
- D. 235,294 6/1975 Waltzman D6/470
- D. 244,656 6/1977 Lawson .
- D. 254,044 1/1980 Lawson .
- D. 277,350 1/1985 Smith .
- D. 311,652 10/1990 Feller .
- D. 314,113 1/1991 Hanfling .
- D. 321,614 11/1991 Liptak .
- D. 351,075 10/1994 Rubin et al. .
- D. 373,692 9/1996 Staeger D6/470

- 2,305,279 12/1942 Smith .
- 2,703,743 3/1955 Harwood .
- 3,353,888 11/1967 Pritrelli, Jr. .
- 4,255,001 3/1981 Frishman .
- 4,708,409 11/1987 Voegeli .
- 5,348,383 9/1994 Ritt 312/138.1

FOREIGN PATENT DOCUMENTS

- 59536 10/1987 Canada .
- 69848 1/1992 Canada .
- 71861 11/1992 Canada .
- 72019 12/1992 Canada .
- 75828 3/1995 Canada .

Primary Examiner—James Gandy
Assistant Examiner—Linda Brooks
Attorney, Agent, or Firm—Beveridge, DeGrandi, Weilacher & Young, LLP

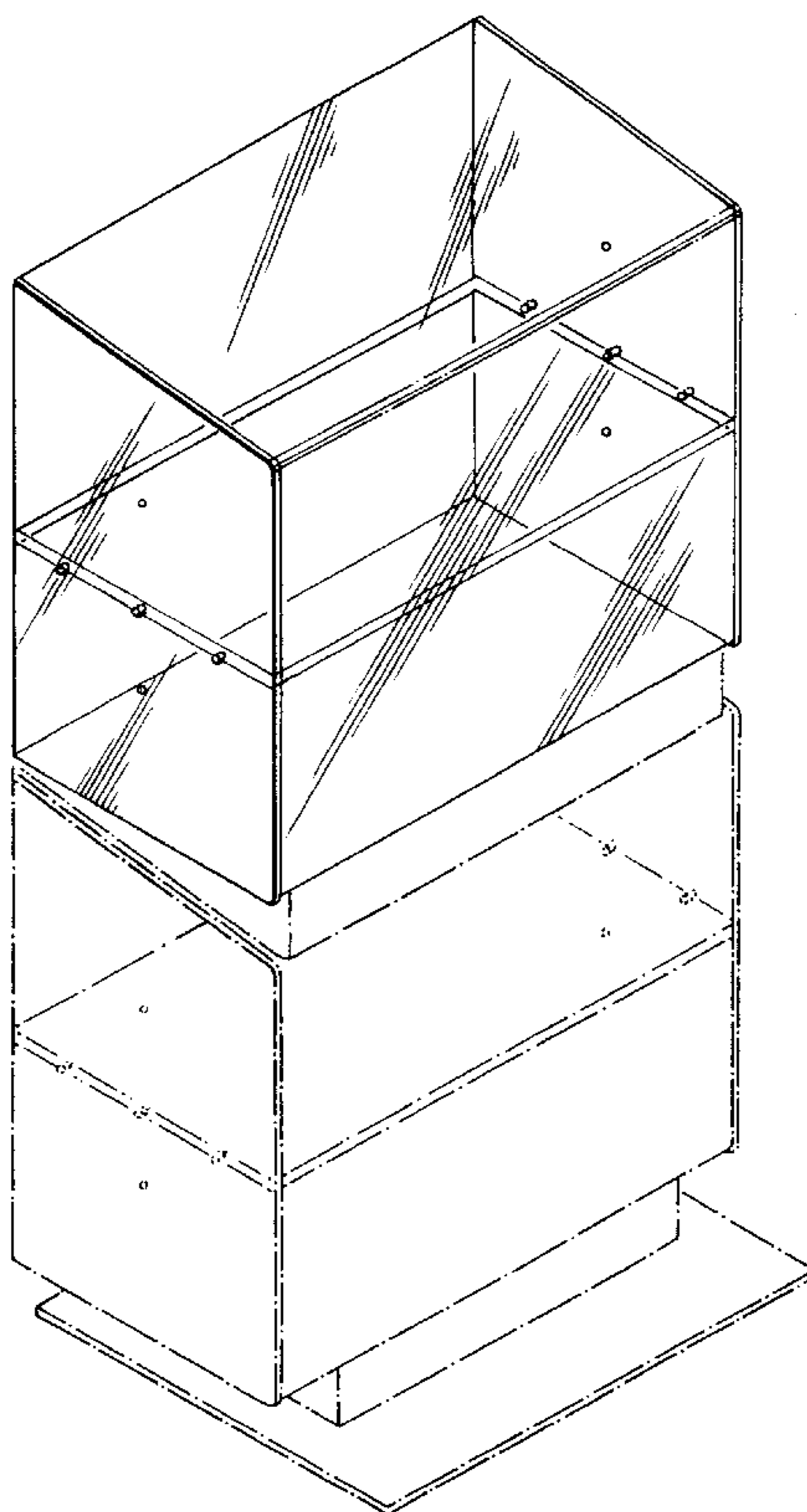
[57] CLAIM

The ornamental design for a display case, as shown and described.

DESCRIPTION

FIG. 1 is an elevational view of one side of the display case; FIG. 2 is an elevational view of the opposite side thereof; FIG. 3 is a plan view thereof; FIG. 4 is a right side elevational view thereof; and, FIG. 5 is a top perspective view thereof taken from the left hand end. Elements shown in broken lines in FIGS. 1, 2, 3, 4, and 5 illustrate environment and form no part of the claimed design.

1 Claim, 3 Drawing Sheets



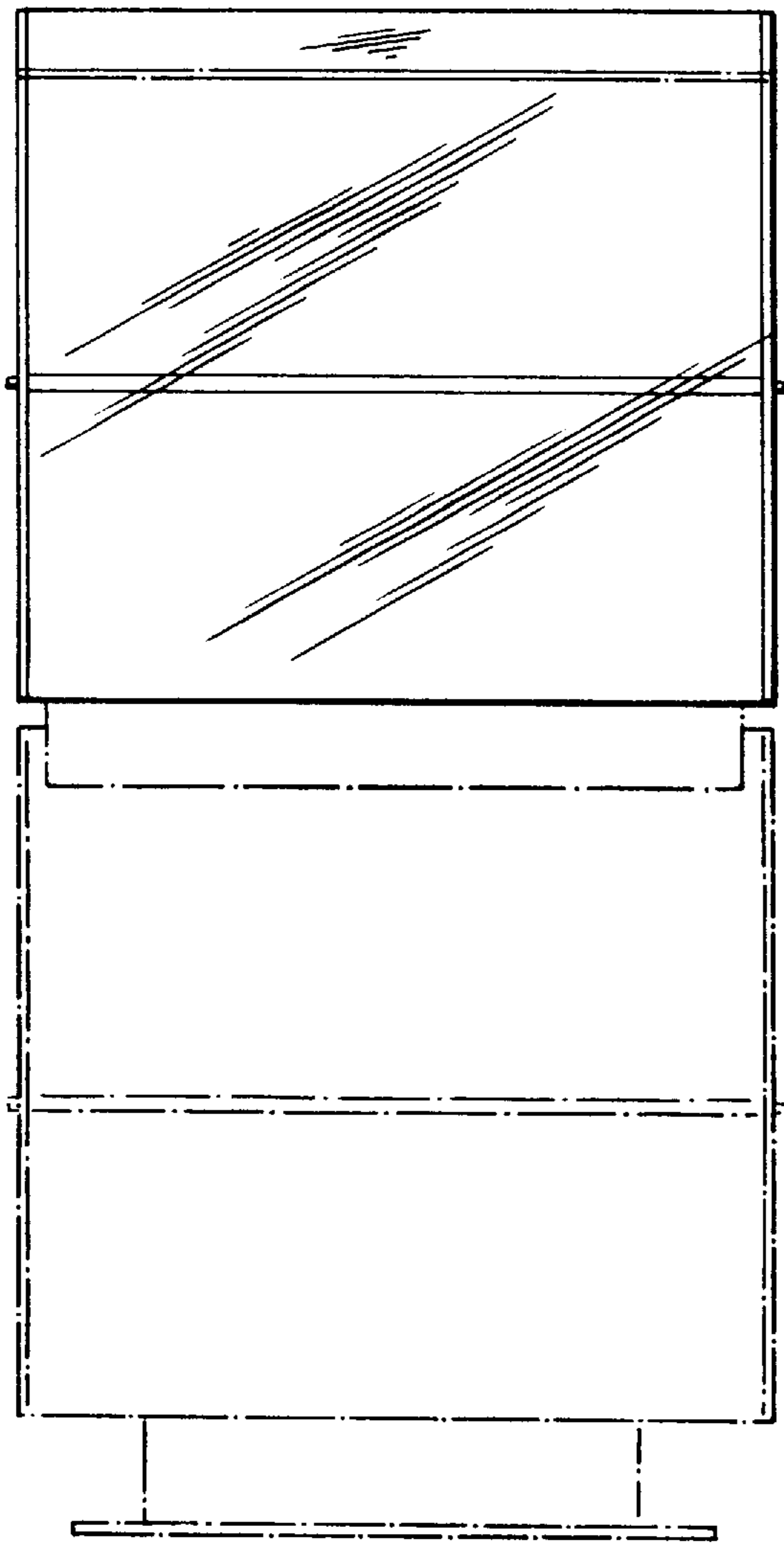


FIG. 1

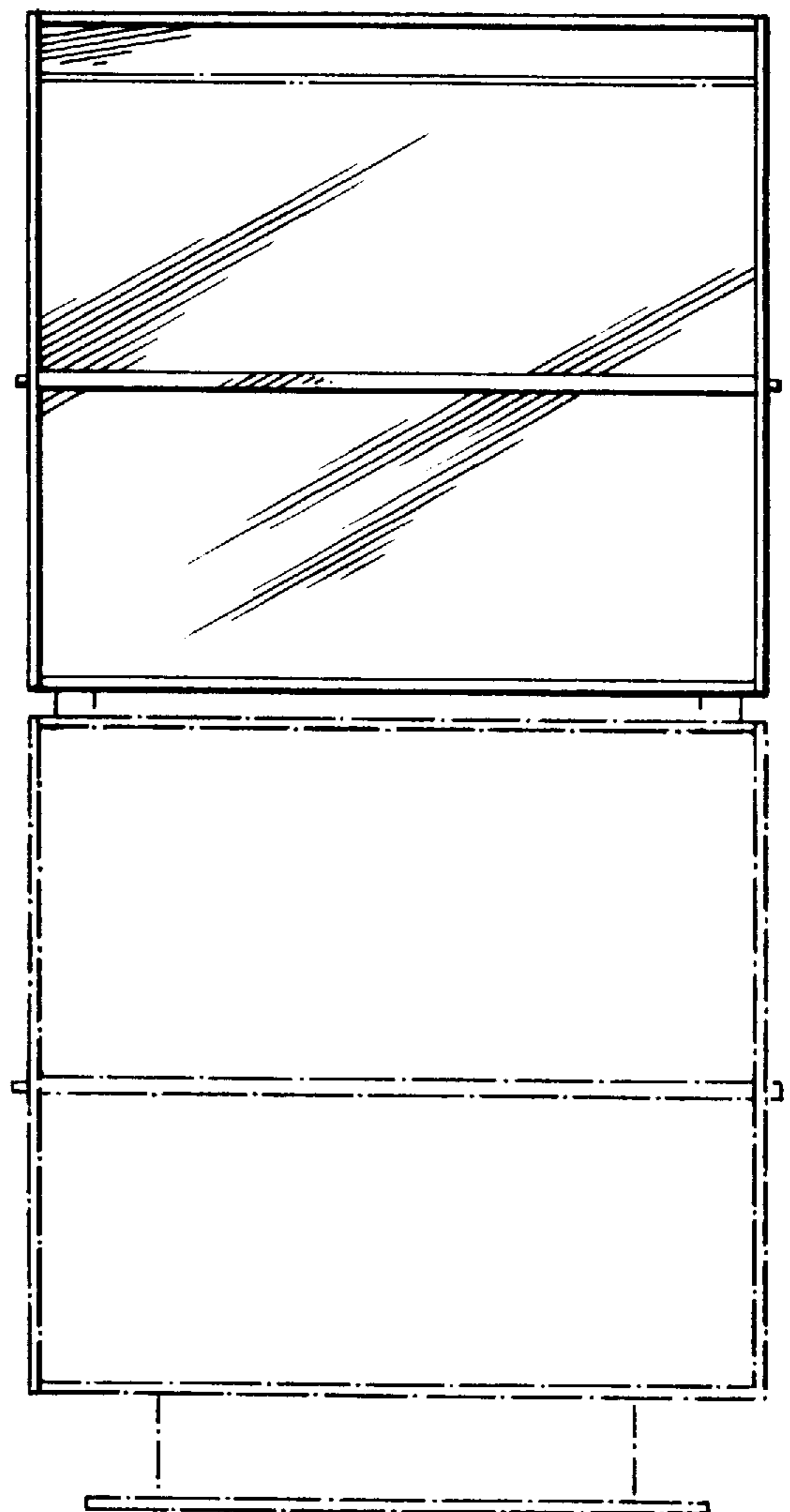


FIG. 2

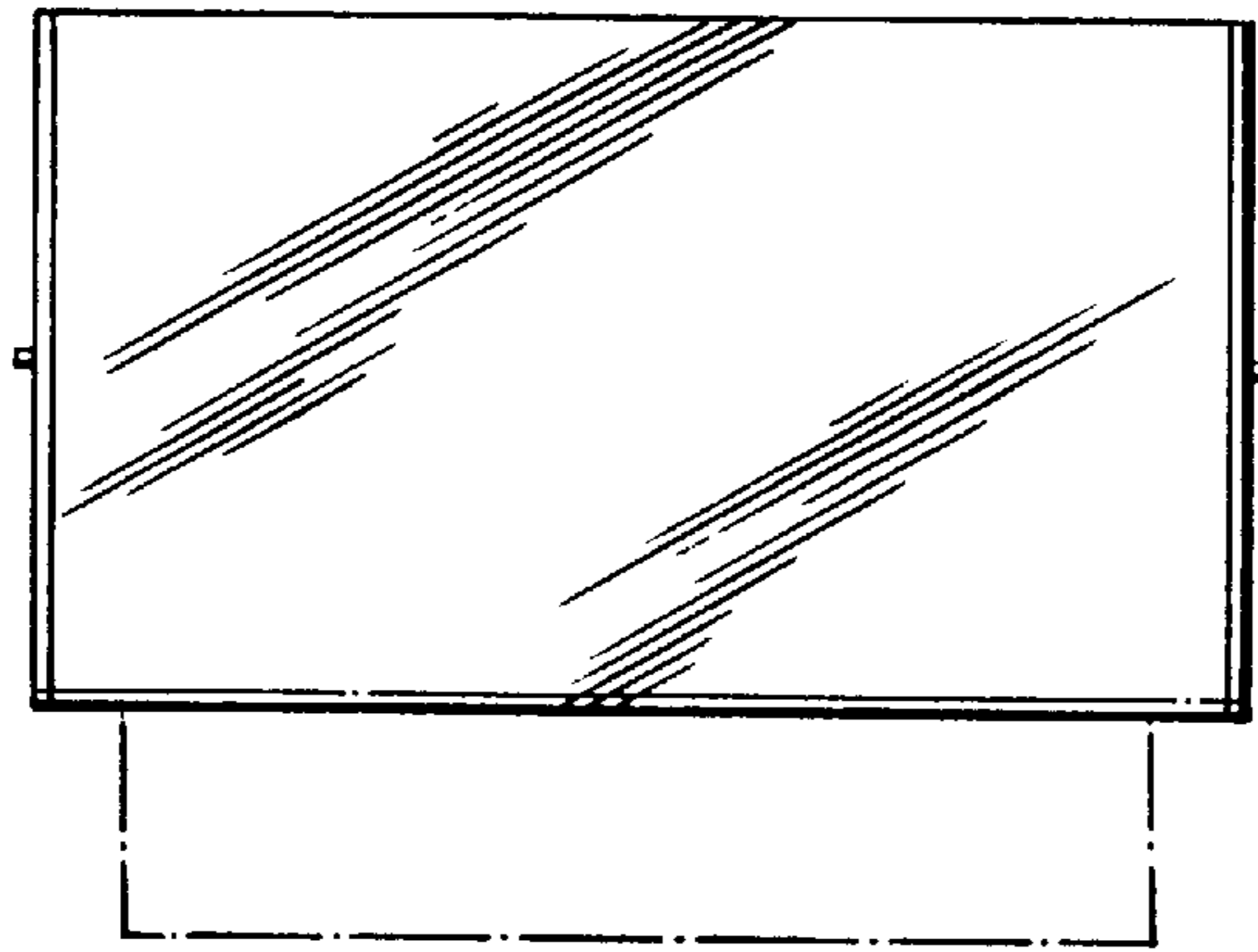


FIG. 3

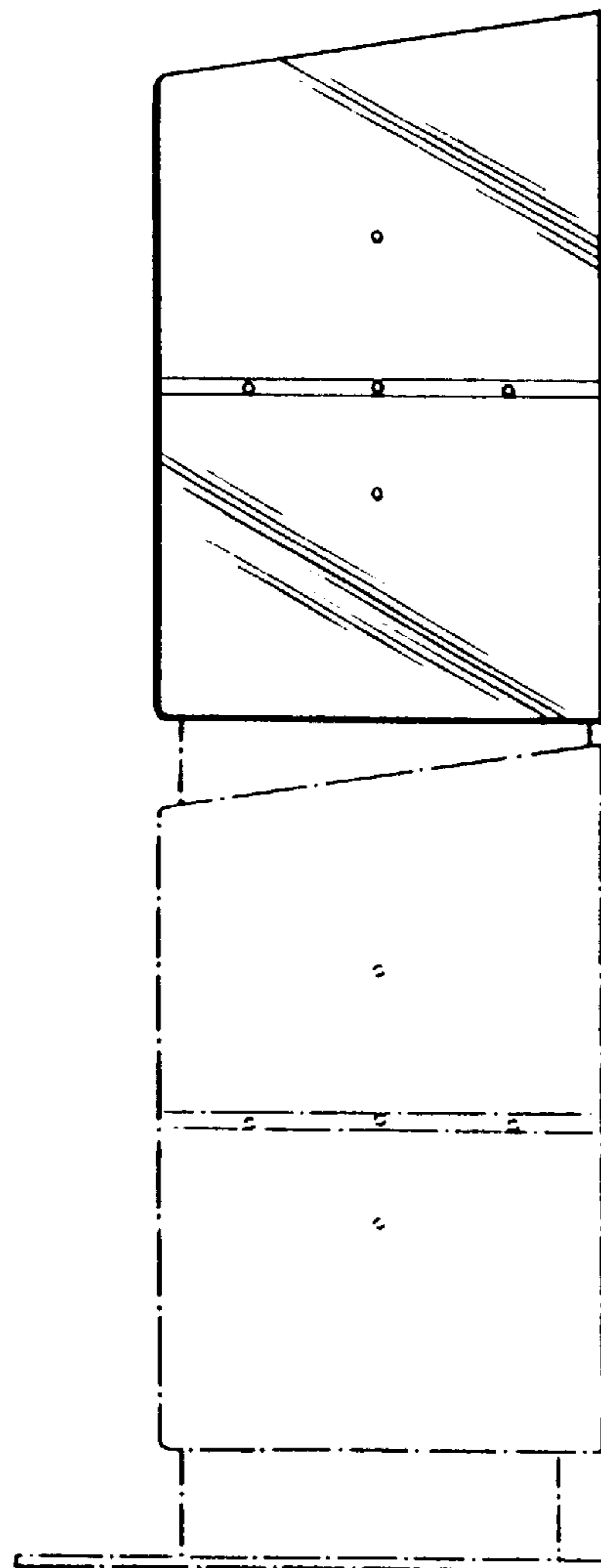


FIG. 4

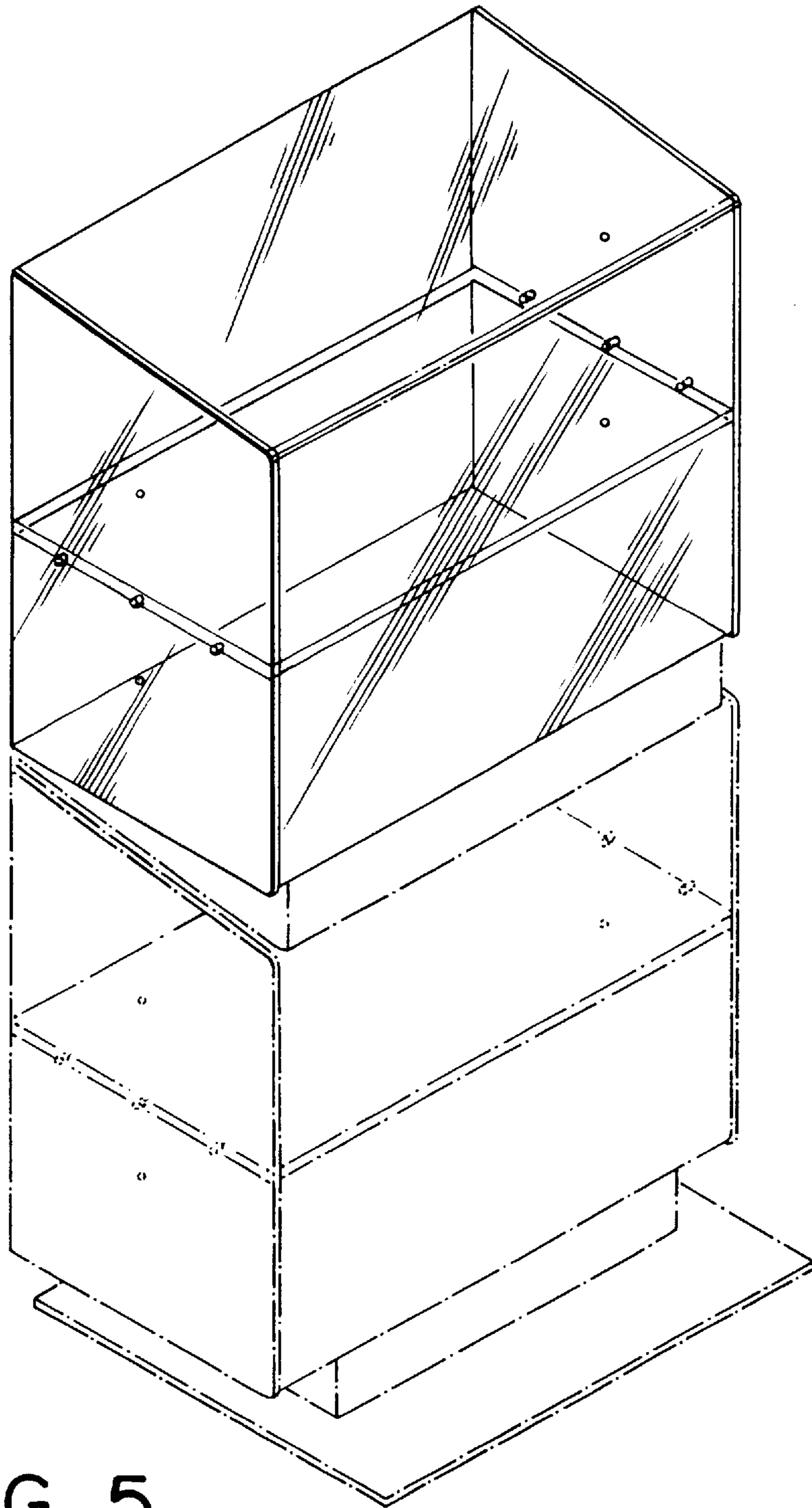


FIG. 5