

US00D402830S

**United States Patent** [19]  
**Chalmers**

[11] **Patent Number: Des. 402,830**

[45] **Date of Patent: \*\*Dec. 22, 1998**

[54] **TABLE**

[75] Inventor: **Richard R. Chalmers**, Camden, Me.

[73] Assignee: **Imagineering, Inc.**, Rockland, Me.

[\*\*] Term: **14 Years**

[21] Appl. No.: **83,151**

[22] Filed: **Feb. 5, 1998**

[51] **LOC (6) Cl.** ..... **06-03**

[52] **U.S. Cl.** ..... **D6/486; D6/480**

[58] **Field of Search** ..... D6/480-489, 495,  
D6/498; 108/150, 153.1, 156, 157.1, 161;  
248/188.1, 188.7, 188.8

[56] **References Cited**

**U.S. PATENT DOCUMENTS**

D. 257,925 1/1981 Redmond ..... D6/488

D. 306,108	2/1990	Grosfillex	.....	D6/486
D. 318,967	8/1991	Murry	.....	D6/495
1,277,988	9/1918	Miller	.....	108/150
1,545,894	7/1925	Hall	.....	108/150

*Primary Examiner*—Janice E. Seeger  
*Attorney, Agent, or Firm*—Heslin & Rothenberg, P.C.

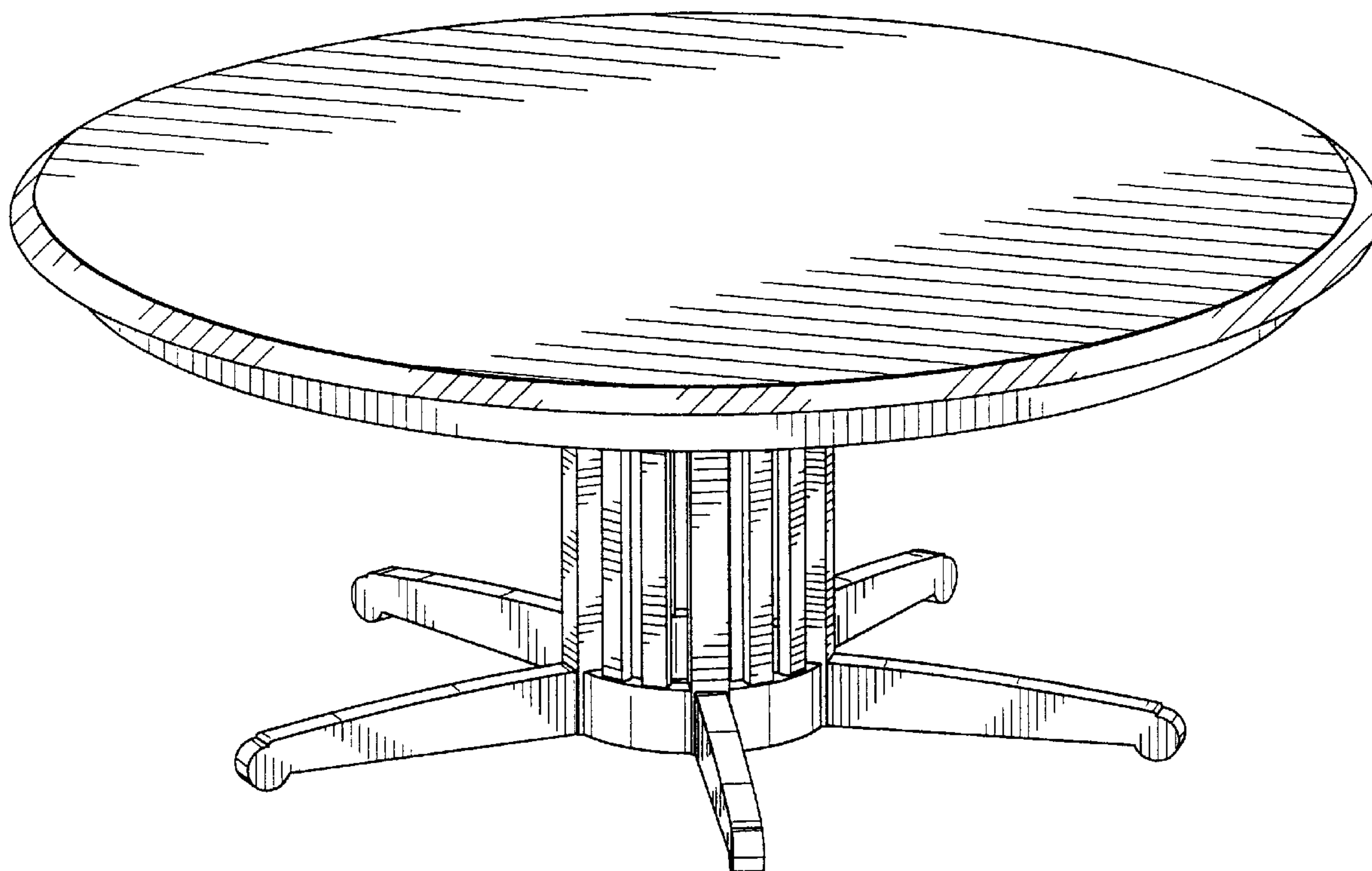
[57] **CLAIM**

The ornamental design for the table, as shown and described.

**DESCRIPTION**

FIG. 1 is a perspective view of the table comprising my new design;  
FIG. 2 is a top plan view thereof;  
FIG. 3 is a front elevational view thereof;  
FIG. 4 is a rear elevation view thereof; and,  
FIG. 5 is a bottom plan view thereof.

**1 Claim, 3 Drawing Sheets**



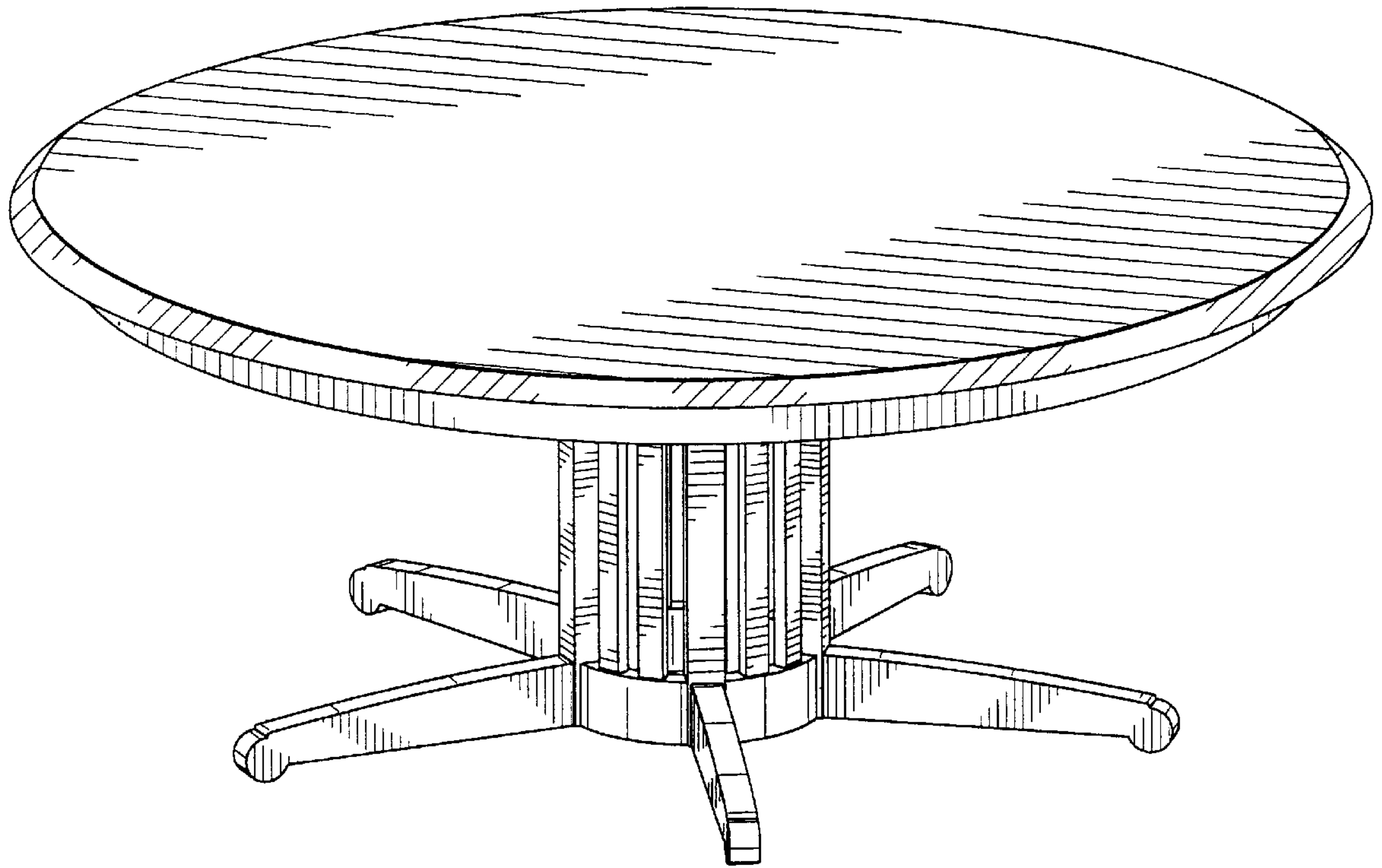


Fig. 1

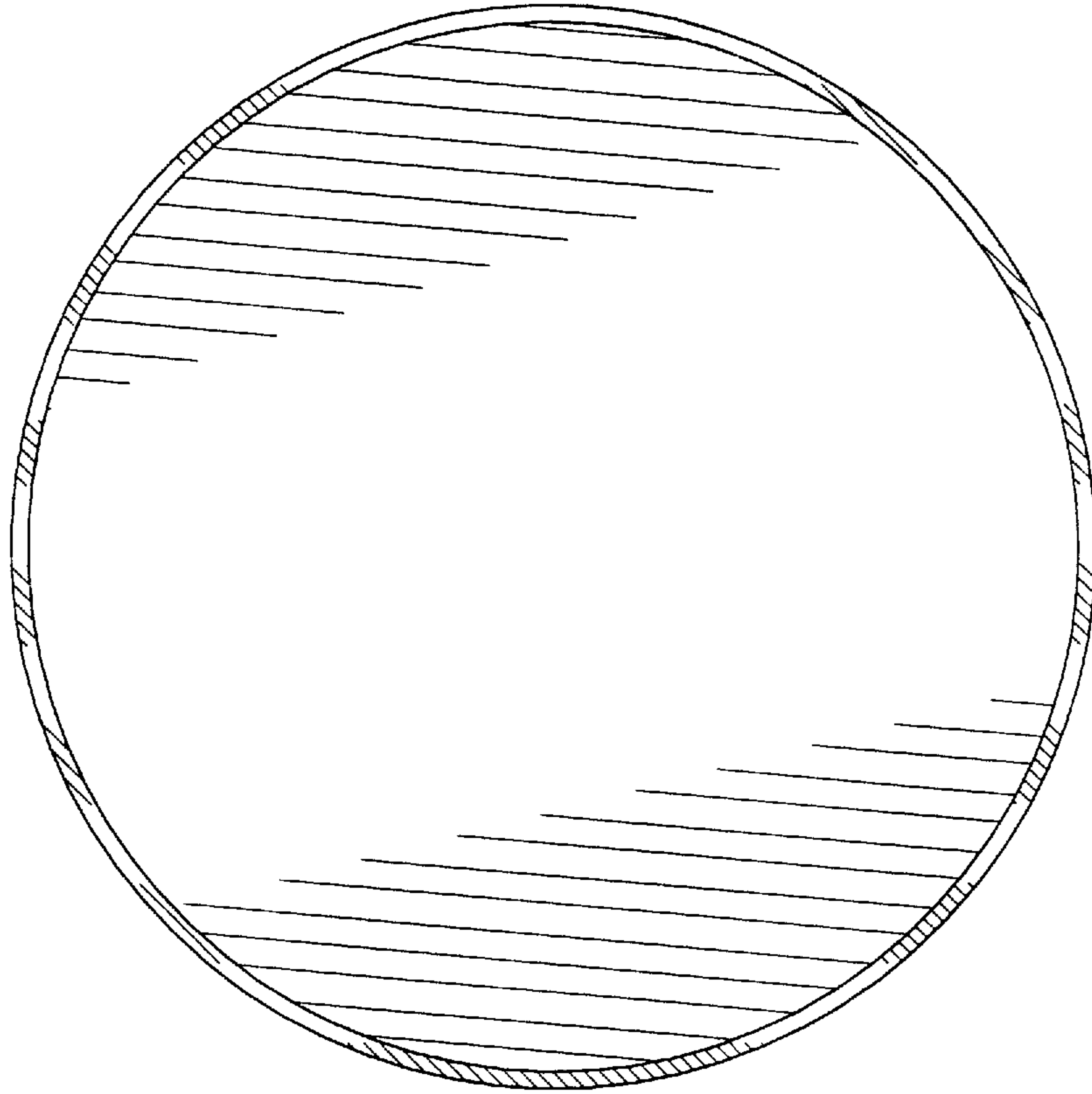


FIG. 2

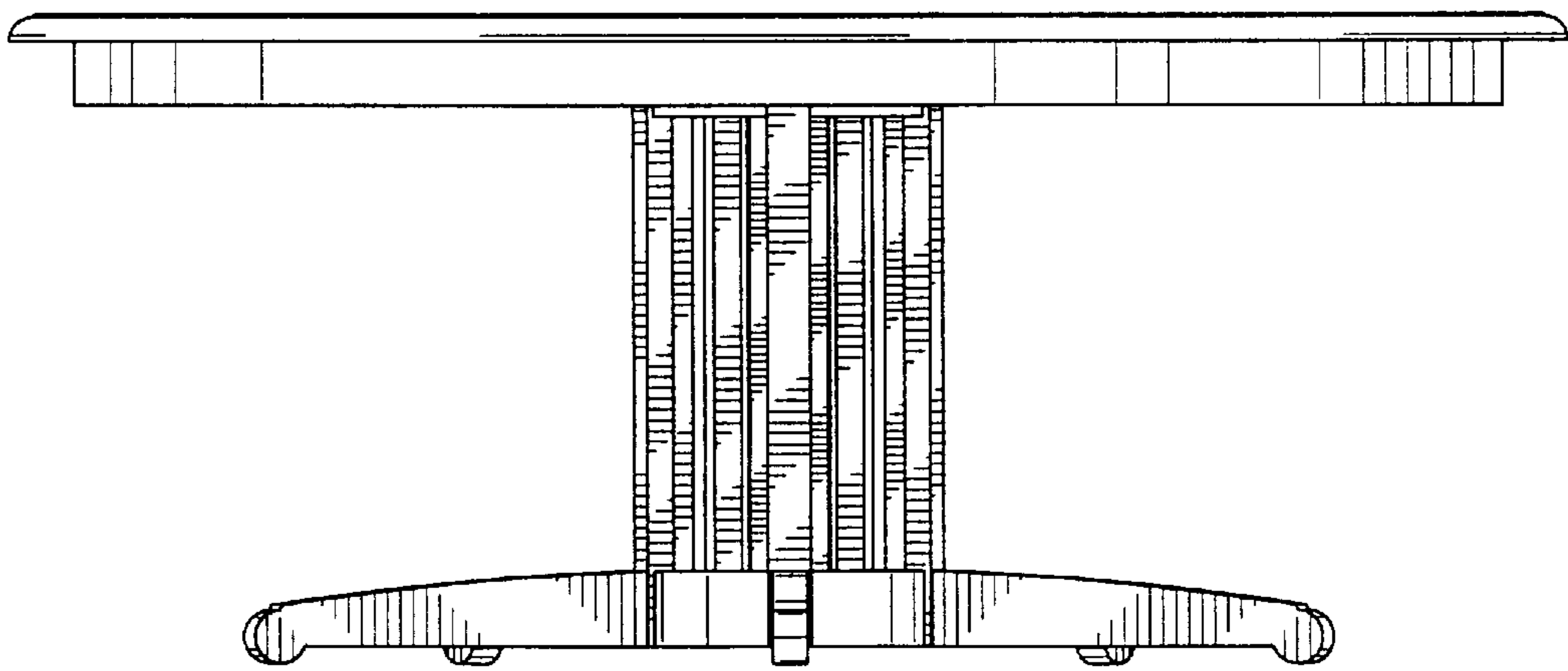


FIG. 3

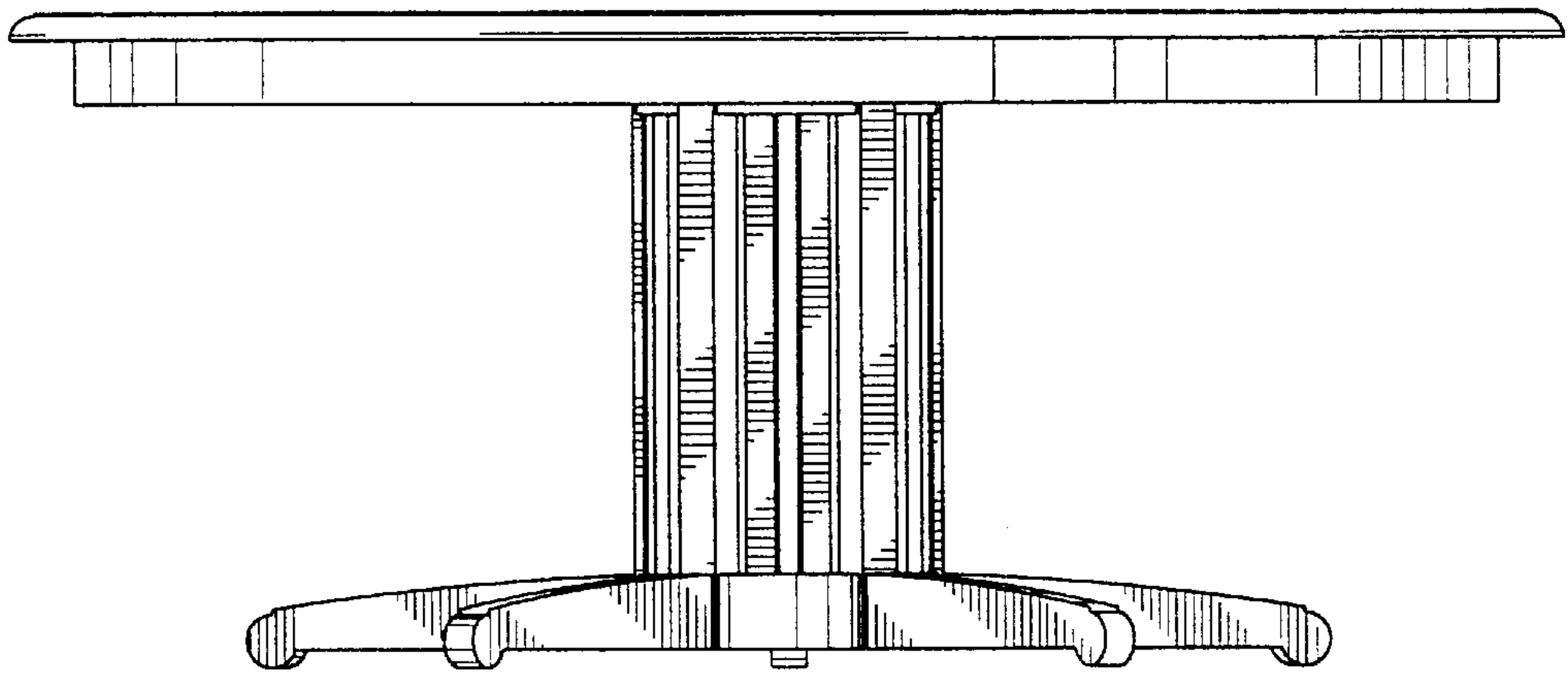


FIG. 4

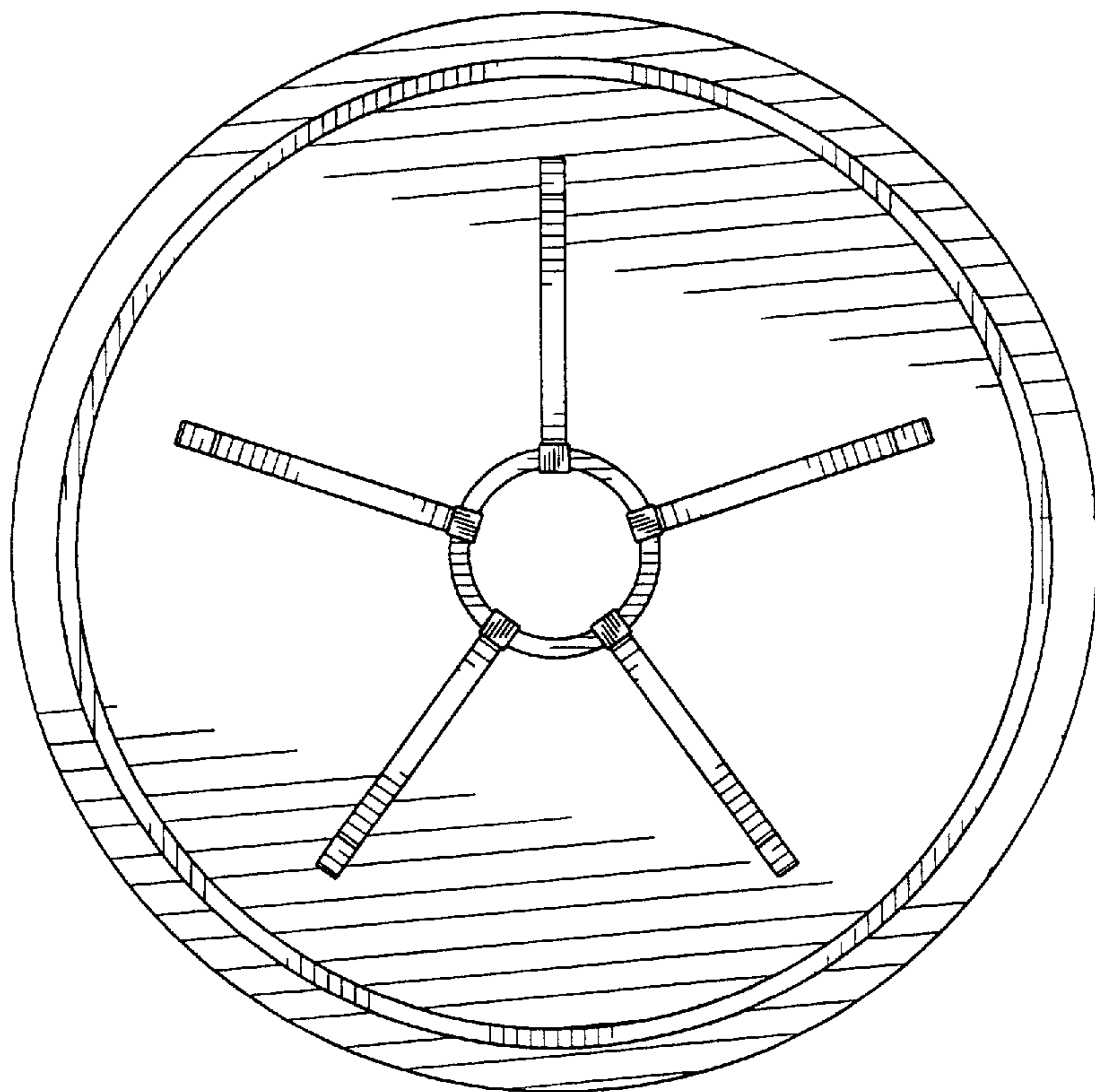


FIG. 5