



US00D402828S

United States Patent [19] Hutton

[11] **Patent Number: Des. 402,828**

[45] **Date of Patent: **Dec. 22, 1998**

[54] **TABLE**

[75] Inventor: **John Hutton**, New York, N.Y.

[73] Assignee: **Donghia Furniture Co., Ltd.**, New York, N.Y.

[**] Term: **14 Years**

[21] Appl. No.: **68,631**

[22] Filed: **Mar. 13, 1997**

[51] **LOC (6) Cl.** **06-04**

[52] **U.S. Cl.** **D6/479**

[58] **Field of Search** D6/477-479, 422,
D6/423, 426-430, 480, 482, 487, 488;
108/59, 60, 90-92, 161; 211/1, 13.1, 49.1,
134, 126.1, 133.1, 135, 153

[56] **References Cited**

U.S. PATENT DOCUMENTS

D. 56,182	8/1920	Lloyd	D6/480
D. 235,596	7/1975	Birnbaum	D6/484
D. 331,679	12/1992	Fong	D6/487
D. 345,475	3/1994	Ferguson	D6/477

OTHER PUBLICATIONS

Dimensional Decor by Duchin, 3-Shelf Single Unit, p. 9, 1961.

Ficks Reed Company Catalog No. 5791, Lamp Table with Shelf W-7335, p. 4, 1975.

Heywood Wakefield Summer Furniture, Rattan Corner Table No. R 1855 G, p. 5, 1941.

Donghia Catalog, p. 9303 depicting Merbau™ Sofa, 1994.

Donghia Catalog, p. 9341 depicting Merbau™ Club Chair, 1994.

Primary Examiner—Jeffrey Asch

Assistant Examiner—Linda Brooks

Attorney, Agent, or Firm—Heslin & Rothenberg, P.C.

[57] **CLAIM**

The ornamental design for a table, as shown and described.

DESCRIPTION

FIG. 1 is a front elevational view of the table comprising my new design, the back elevational view being a mirror image;

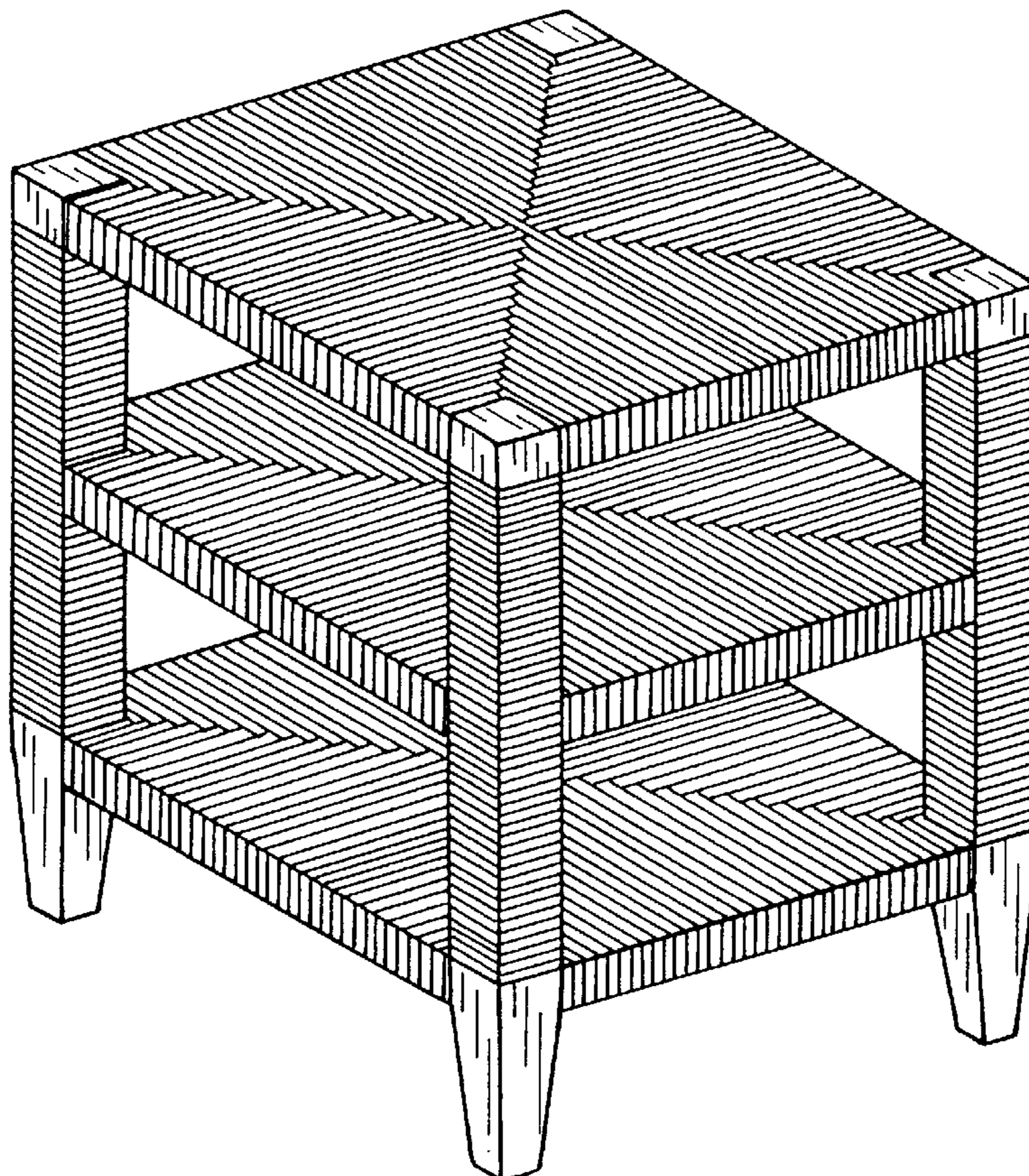
FIG. 2 is a side elevational view thereof, the opposite side elevational view being a mirror image;

FIG. 3 is a top plan view thereof; and,

FIG. 4 is a perspective view thereof.

The bottom of the table forms no part of the claimed design.

1 Claim, 2 Drawing Sheets



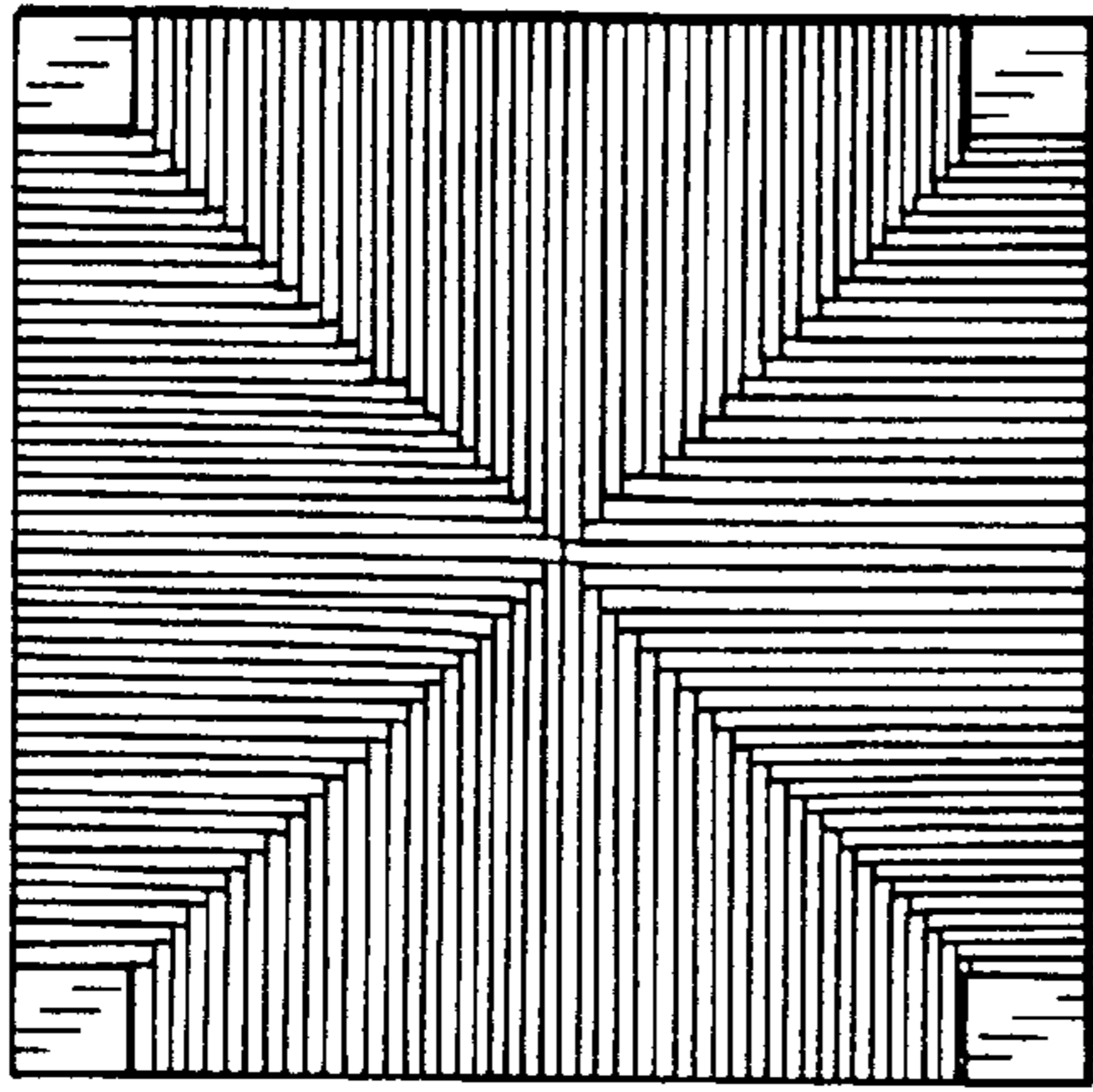


FIG. 3

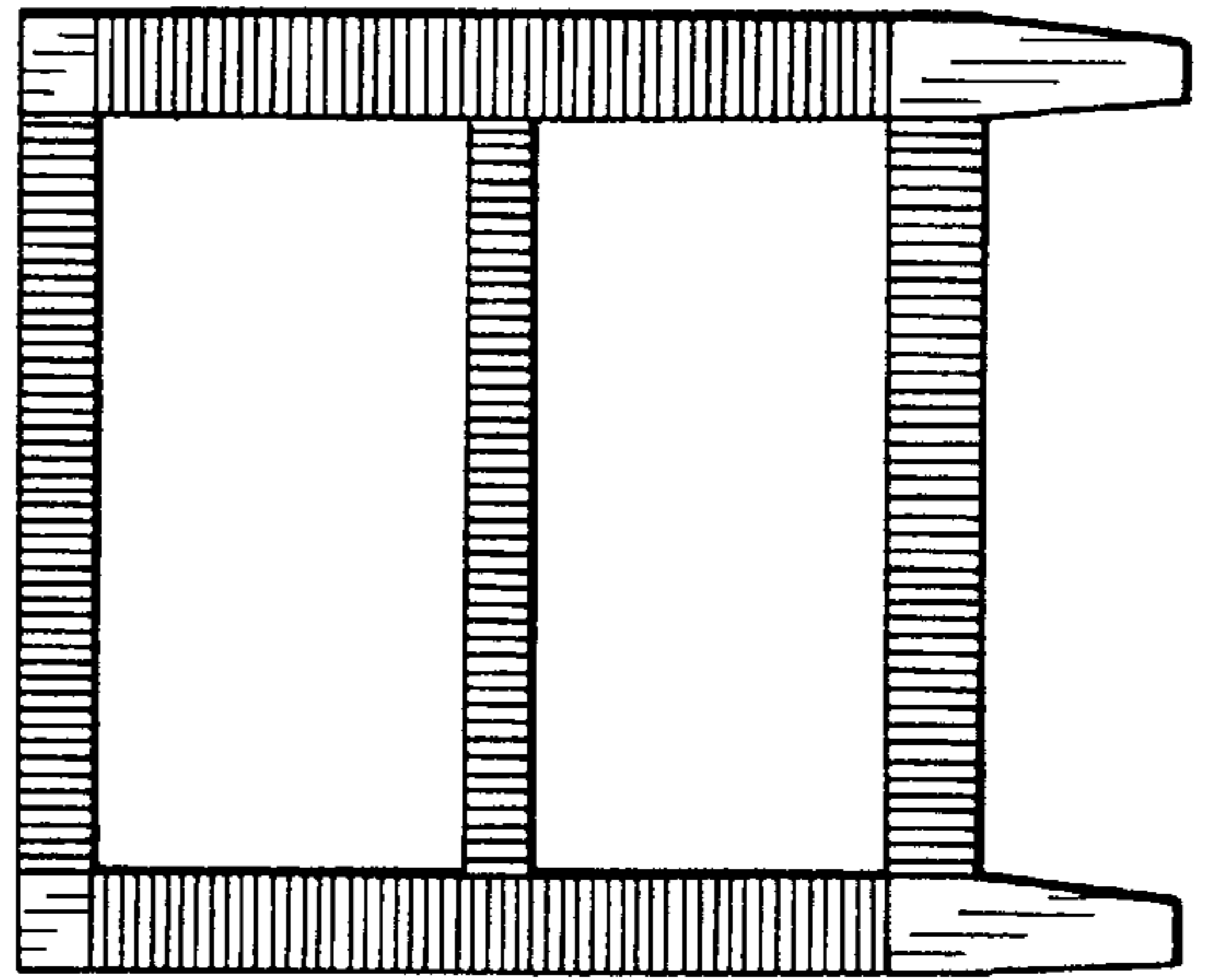


FIG. 1

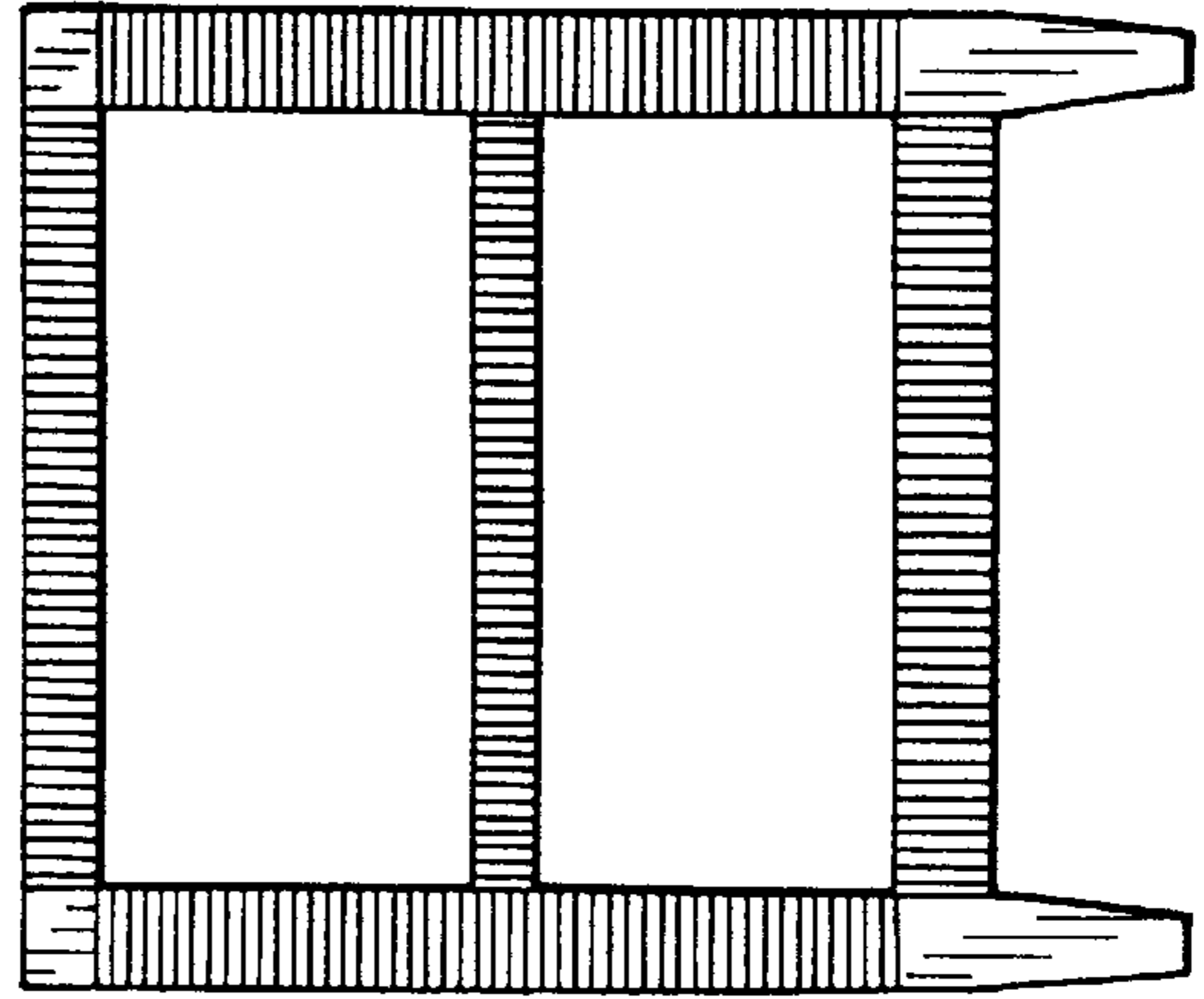


FIG. 2

FIG. 4

