

US00D402826S

United States Patent [19]
Barkley

[11] **Patent Number: Des. 402,826**

[45] **Date of Patent: **Dec. 22, 1998**

[54] **PLUSH TOY DISPLAY STAND**

OTHER PUBLICATIONS

[76] Inventor: **Randall J. Barkley**, 2930 W. Parnell Ave. #2, Milwaukee, Wis. 53221

Point of Purchase Advertising Institute, Retail Reporting Corporation, New York, NY, Point of Purchase Design Annual 3, Lion King Floor Merchandiser, bottom of p. 187, 1995.

[**] Term: **14 Years**

Primary Examiner—James Gandy
Assistant Examiner—Linda Brooks
Attorney, Agent, or Firm—Donald J. Ersler

[21] Appl. No.: **81,453**

[22] Filed: **Jan. 2, 1998**

[57] **CLAIM**

[51] **LOC (6) Cl.** **06-04**

The ornamental design for a plush toy display stand, as shown and described.

[52] **U.S. Cl.** **D6/450**

[58] **Field of Search** D6/412, 434, 450,
D6/451, 465, 563, 564, 477, 479; 312/204;
108/59, 60, 161; 211/1, 13.1, 134, 135,
153

DESCRIPTION

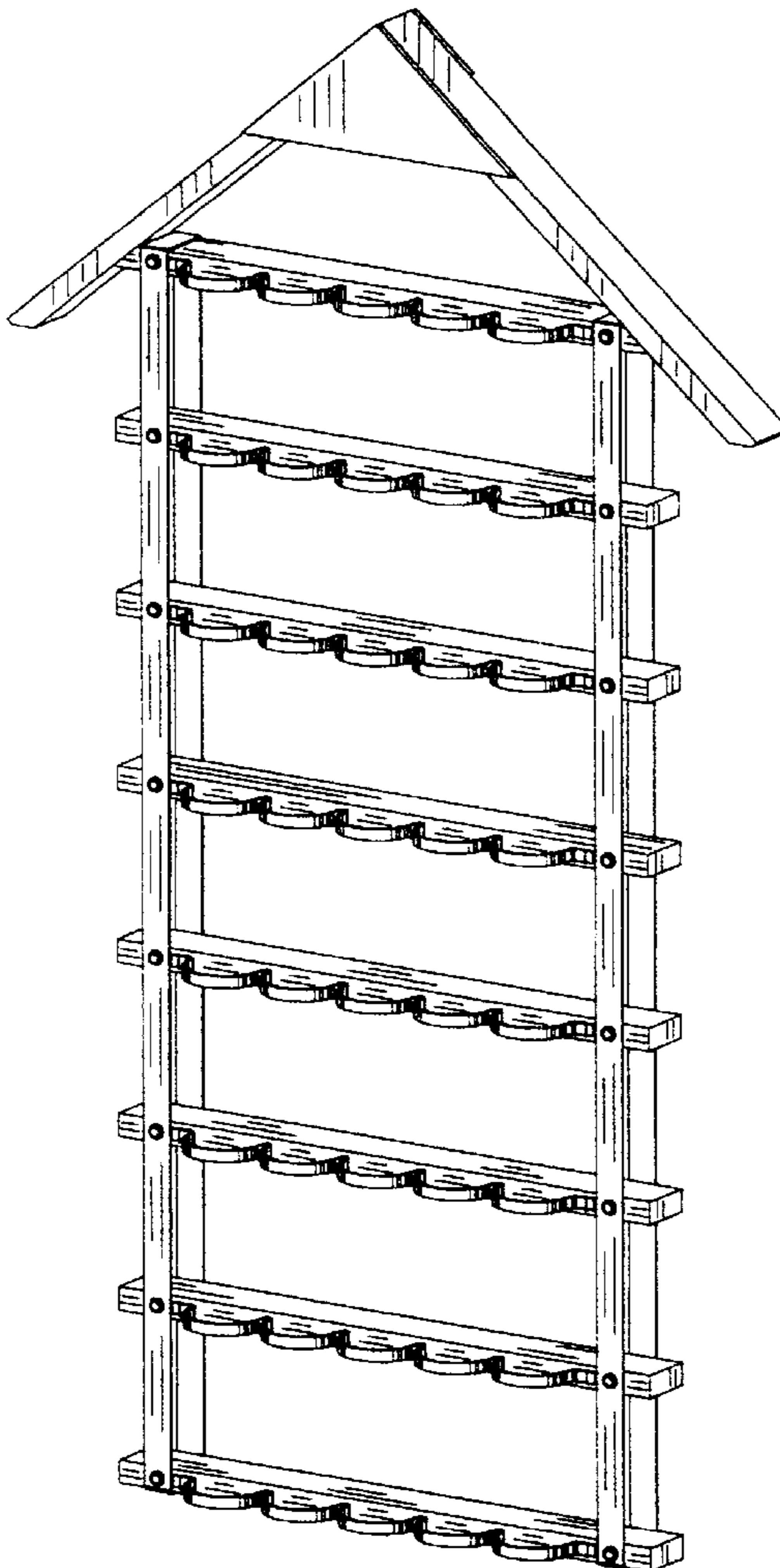
[56] **References Cited**

FIG. 1 is a perspective view of a plush toy display stand incorporating my new design;
FIG. 2 is a front elevation view thereof;
FIG. 3 is a rear elevation view thereof;
FIG. 4 is a right side elevation view thereof with the left side elevation view being a mirror image of the right side elevation view;
FIG. 5 is a top plan view thereof; and,
FIG. 6 is a bottom plan view thereof.

U.S. PATENT DOCUMENTS

D. 83,726	3/1931	Gifford	D6/450
D. 238,641	2/1976	Edelson	D6/450
D. 335,228	5/1993	Barthelmess et al.	D6/450
D. 335,592	5/1993	Barthelmess et al.	D6/450

1 Claim, 3 Drawing Sheets



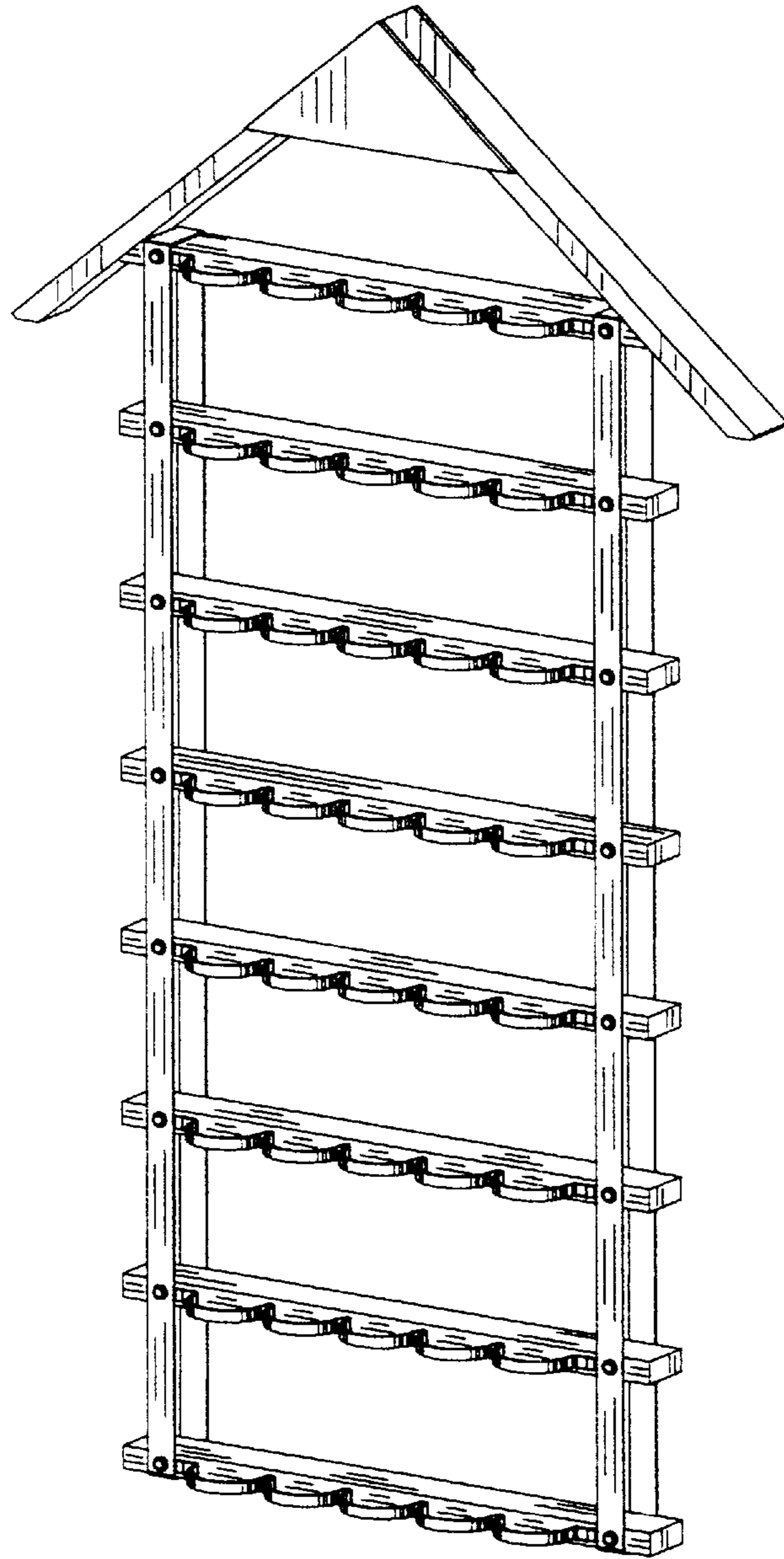


FIG. 1

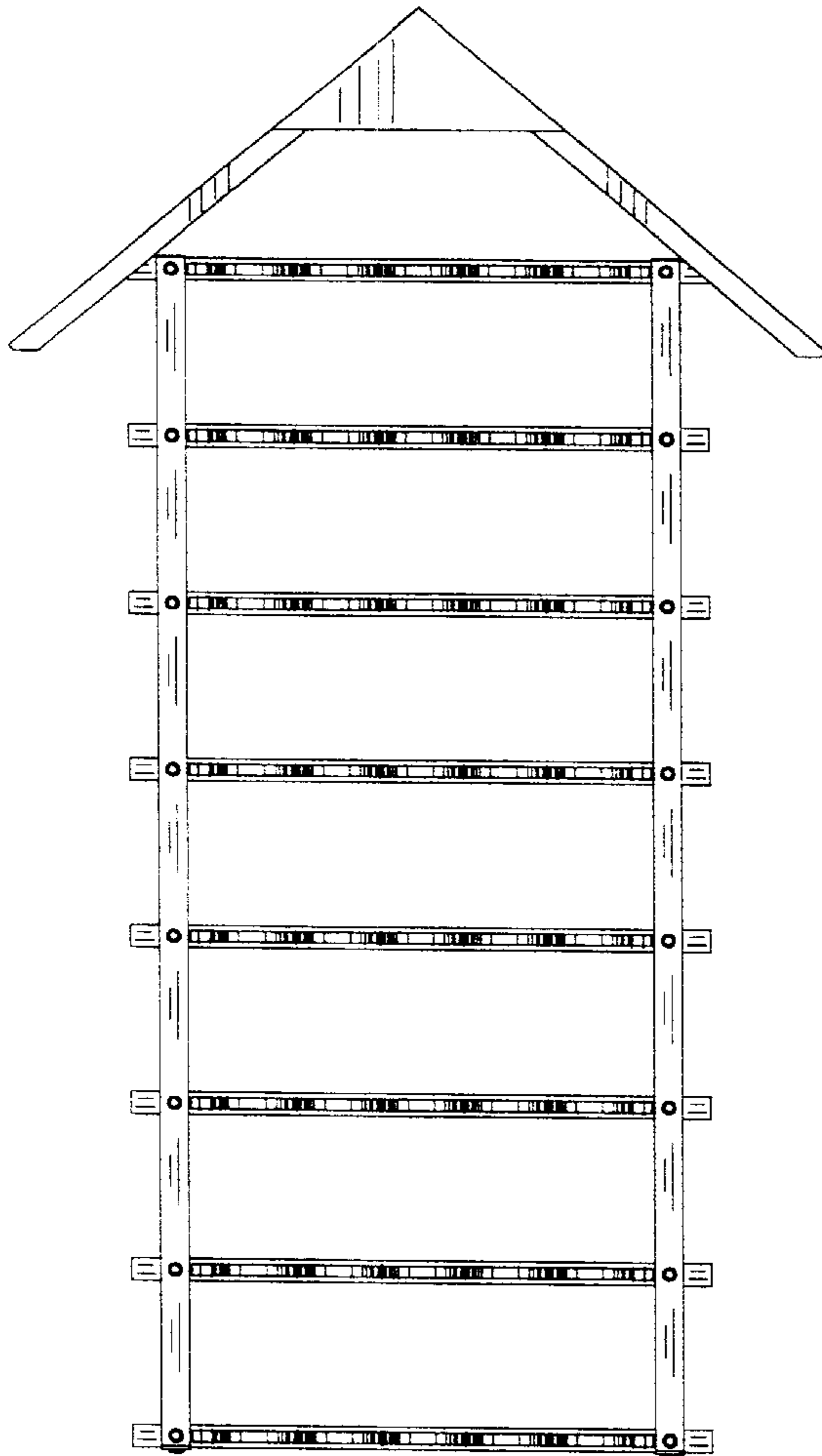


FIG. 2

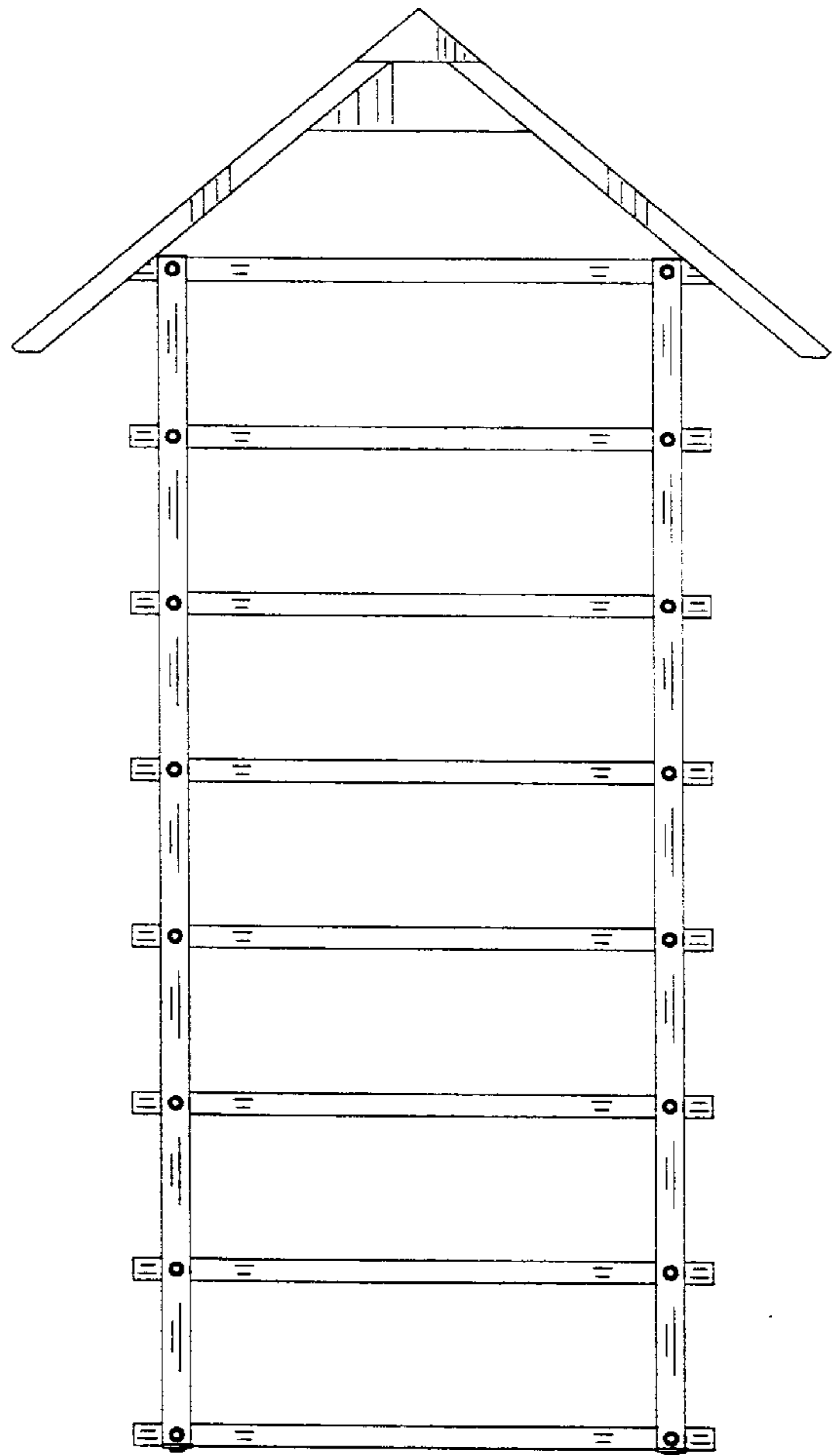


FIG. 3

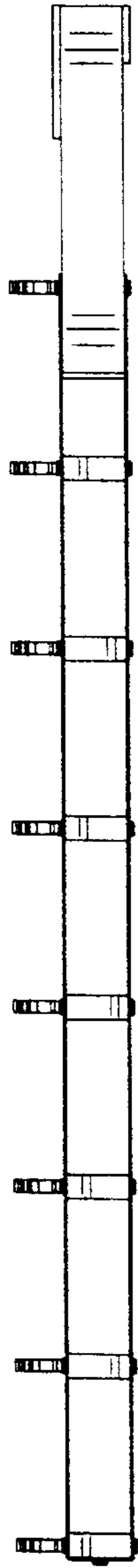


FIG. 4

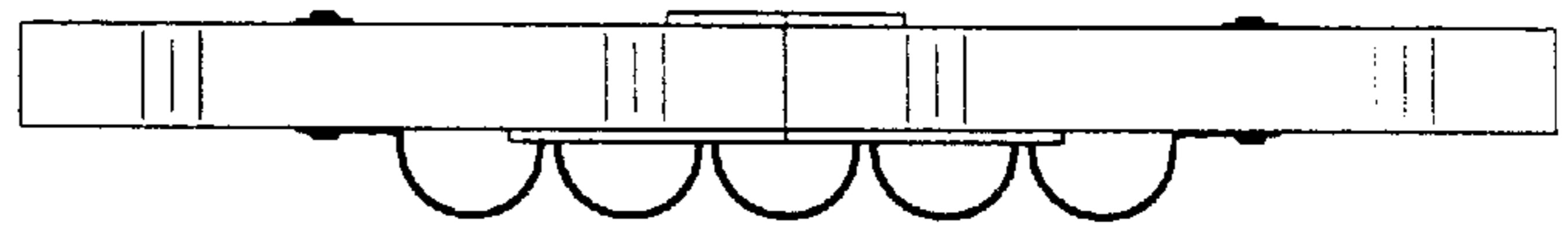


FIG. 5



FIG. 6