



US00D402823S

United States Patent [19]

Anderson et al.

[11] Patent Number: Des. 402,823

[45] Date of Patent: **Dec. 22, 1998

[54] DISPLAY AND SERVING CASE

[75] Inventors: **Robert H. Anderson**, Blue Bell, Pa.; **Stanley J. Jurgenburg**, Los Angeles, Calif.; **David C. Rolston**; **Mark E. Gilpatric**, both of Milwaukee, Wis.

[73] Assignee: **J & J Snack Foods Corp.**, Pennsauken, N.J.

[**] Term: **14 Years**

[21] Appl. No.: **80,867**

[22] Filed: **Dec. 18, 1997**

[51] LOC (6) Cl. **06-04**

[52] U.S. Cl. **D6/408; D6/476**

[58] Field of Search D6/408, 509, 510, D6/511, 466-468, 515, 475, 476, 477, 479; D19/75, 76, 90; 211/184, 59.2, 59.3, 59.4, 74, 189, 194; 221/123, 282, 286; D20/19, 41, 43; 206/736-740, 745, 756, 761, 762; 312/36, 45, 128

[56] References Cited

U.S. PATENT DOCUMENTS

D. 253,213	10/1979	Hudik et al.	D6/476 X
D. 255,407	6/1980	Brittner	D6/172
D. 352,850	11/1994	Fujii	D6/479
D. 378,533	3/1997	Wolff	D6/510 X
D. 390,052	2/1998	Wolff	D6/510
3,279,618	10/1966	Bergstedt	211/49
4,706,821	11/1987	Kohls et al.	211/593
4,730,741	3/1988	Jackle, III et al.	211/59.3
5,111,942	5/1992	Bernardin	211/59.3
5,353,939	10/1994	Beeler et al.	211/59.3
5,464,279	11/1995	Wells et al.	312/128

OTHER PUBLICATIONS

Point of Purchase Design Annual 3, Retail Reporting Corporation, Louis Rich Carving Board Merchandiser, p. 68, 1995.

Point of Purchase Design Annual 3, Retail Reporting Corporation, R.J. Reynolds/BP Oil Display Backbar Program, p. 68, 1995.

Primary Examiner—James Gandy

Assistant Examiner—Linda Brooks

Attorney, Agent, or Firm—Quarles and Brady

[57] CLAIM

The ornamental design for a display and serving case, as shown and described.

DESCRIPTION

FIG. 1 is a right front top perspective of a display and serving case showing our new design, the left front perspective being a mirror image thereof;

FIG. 2 is a right side elevation;

FIG. 3 is a left side elevation;

FIG. 4 is a front elevation;

FIG. 5 is a rear elevation;

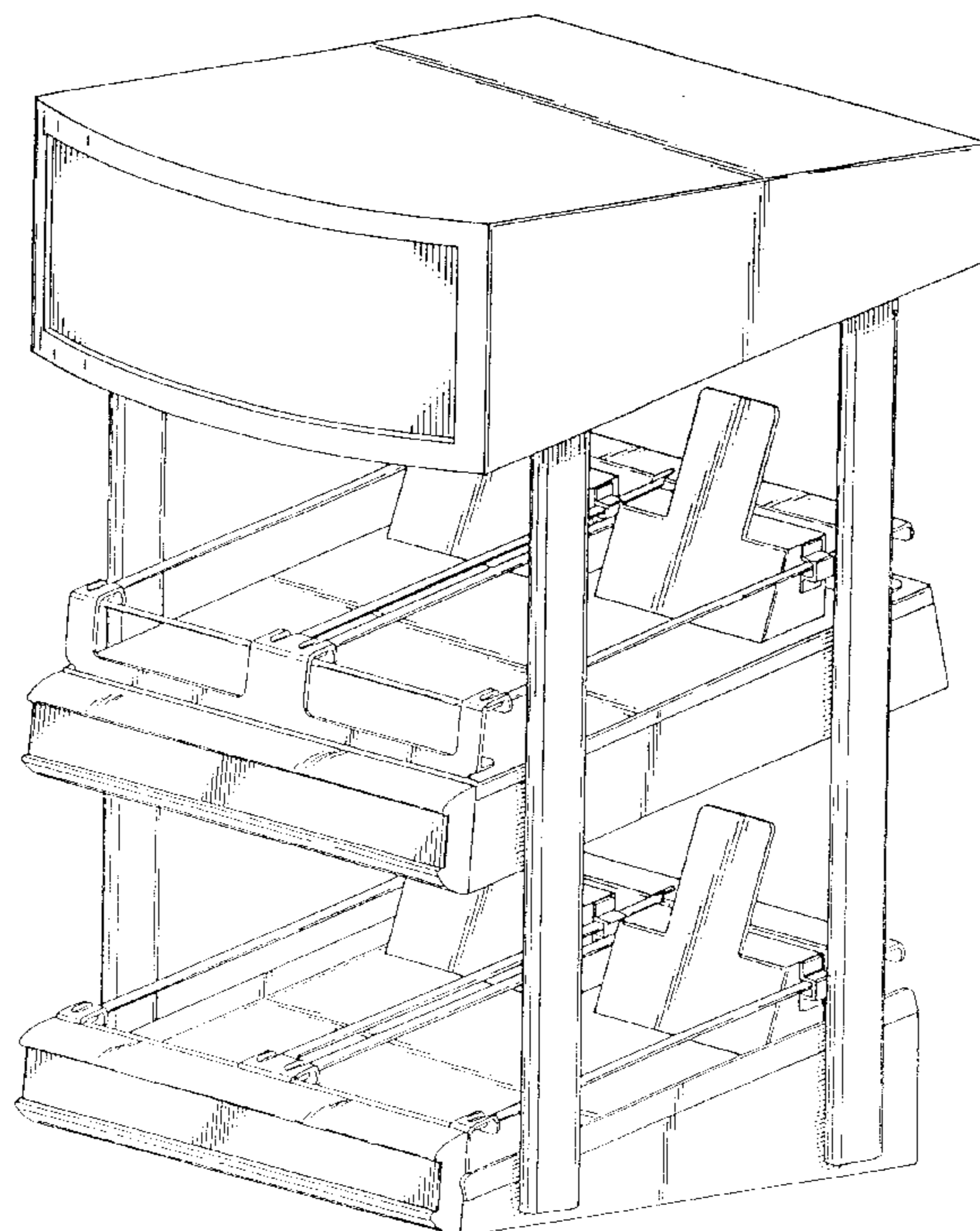
FIG. 6 is a top plan;

FIG. 7 is a bottom plan;

FIG. 8 is a right front top perspective view of the upper tray shown in FIGS. 1-5, shown separately for clarity of illustration, the left front perspective being a mirror image thereof; and,

FIG. 9 is a right front top perspective view of the lower tray shown in FIGS. 1-5, shown separately for clarity of illustration, the left front perspective being a mirror image thereof.

1 Claim, 5 Drawing Sheets



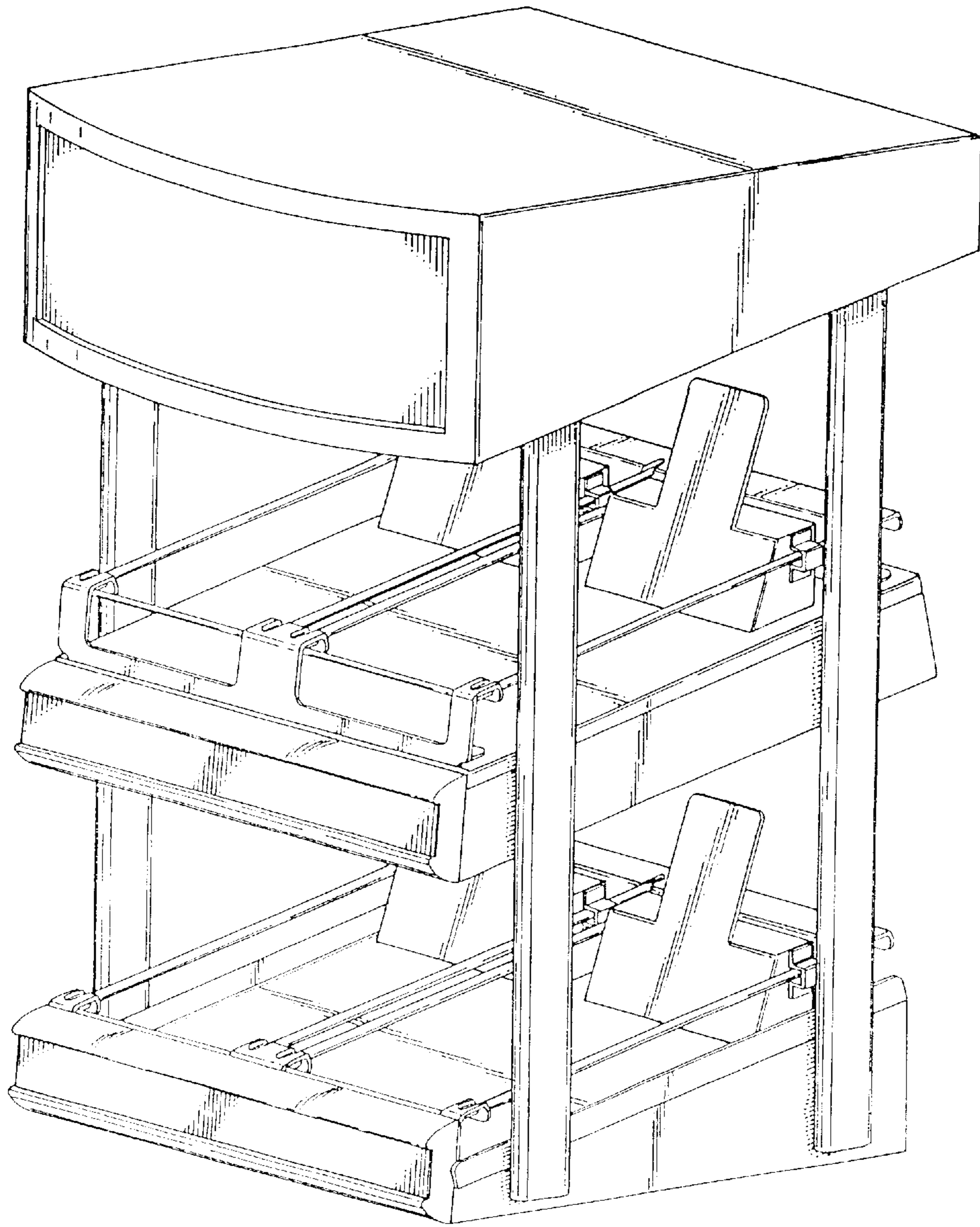


FIG. 1

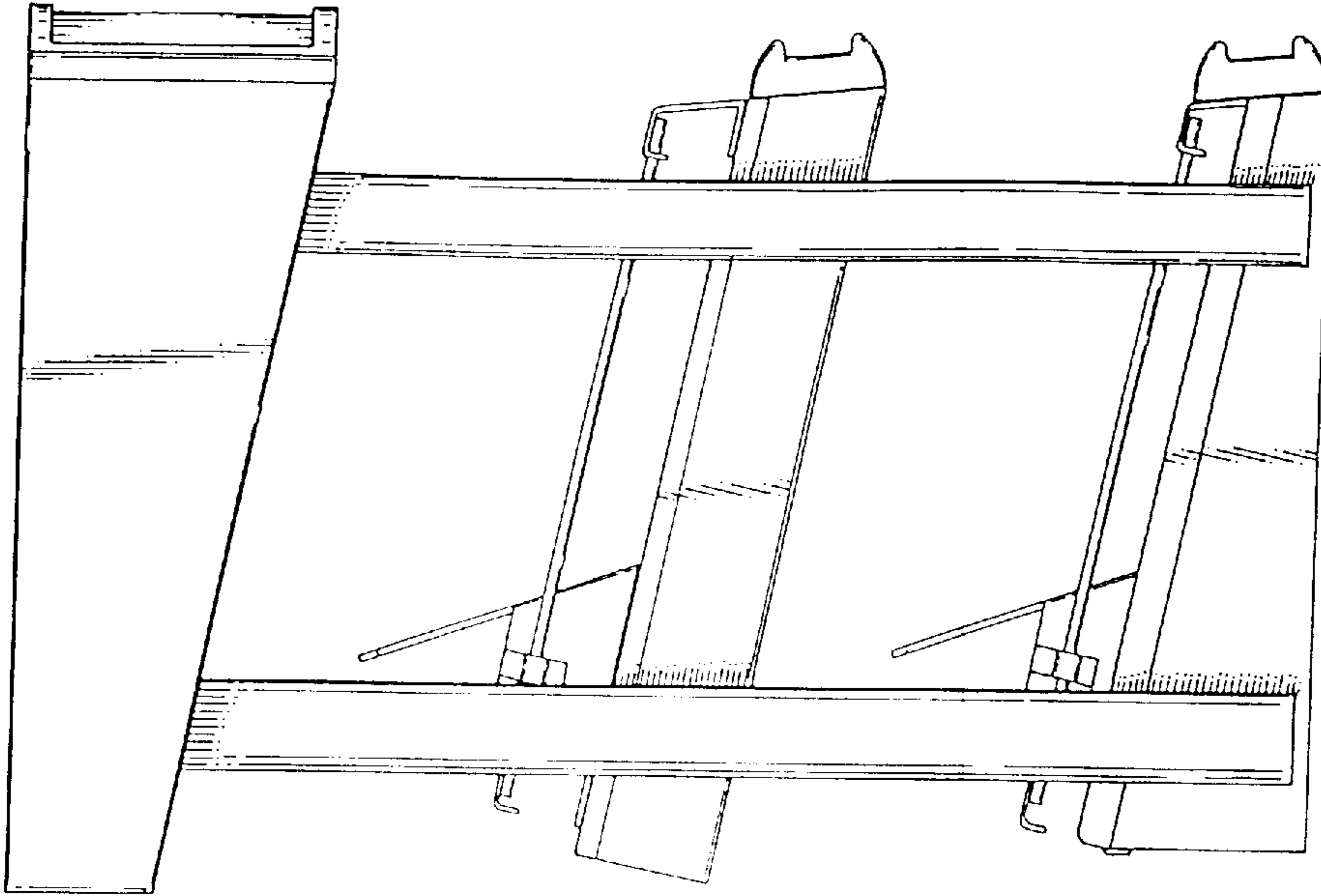


FIG. 3

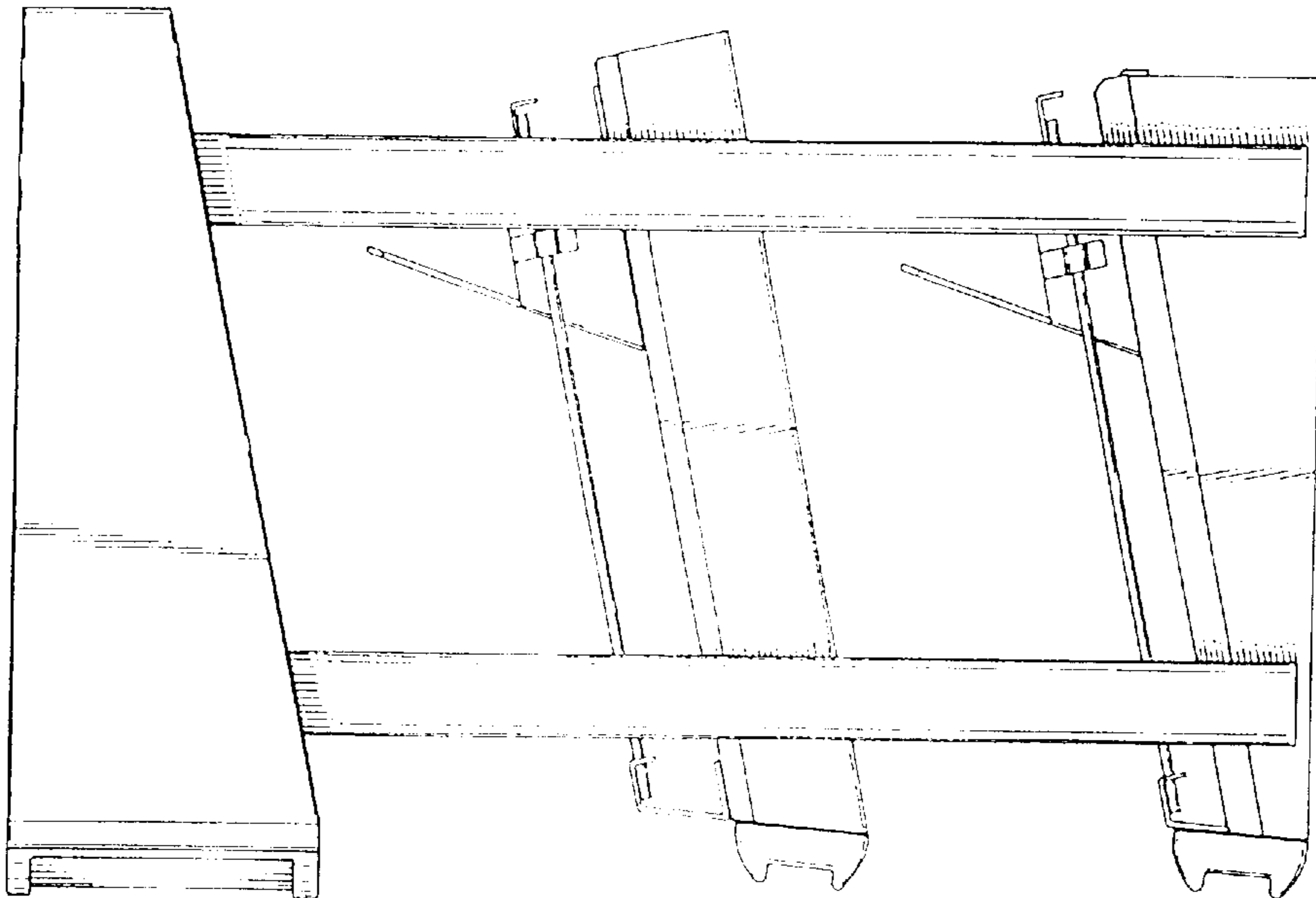


FIG. 2

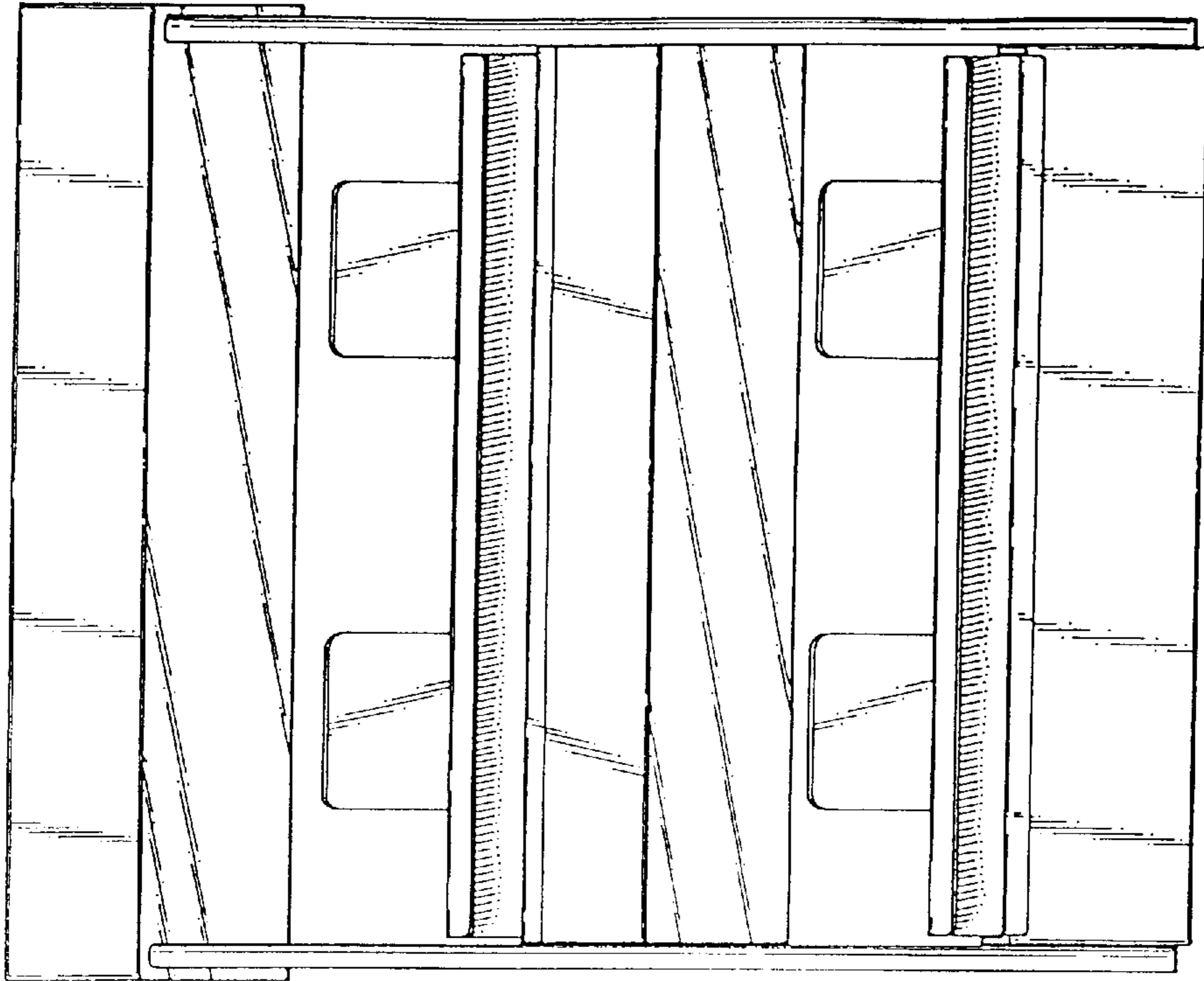


FIG. 5

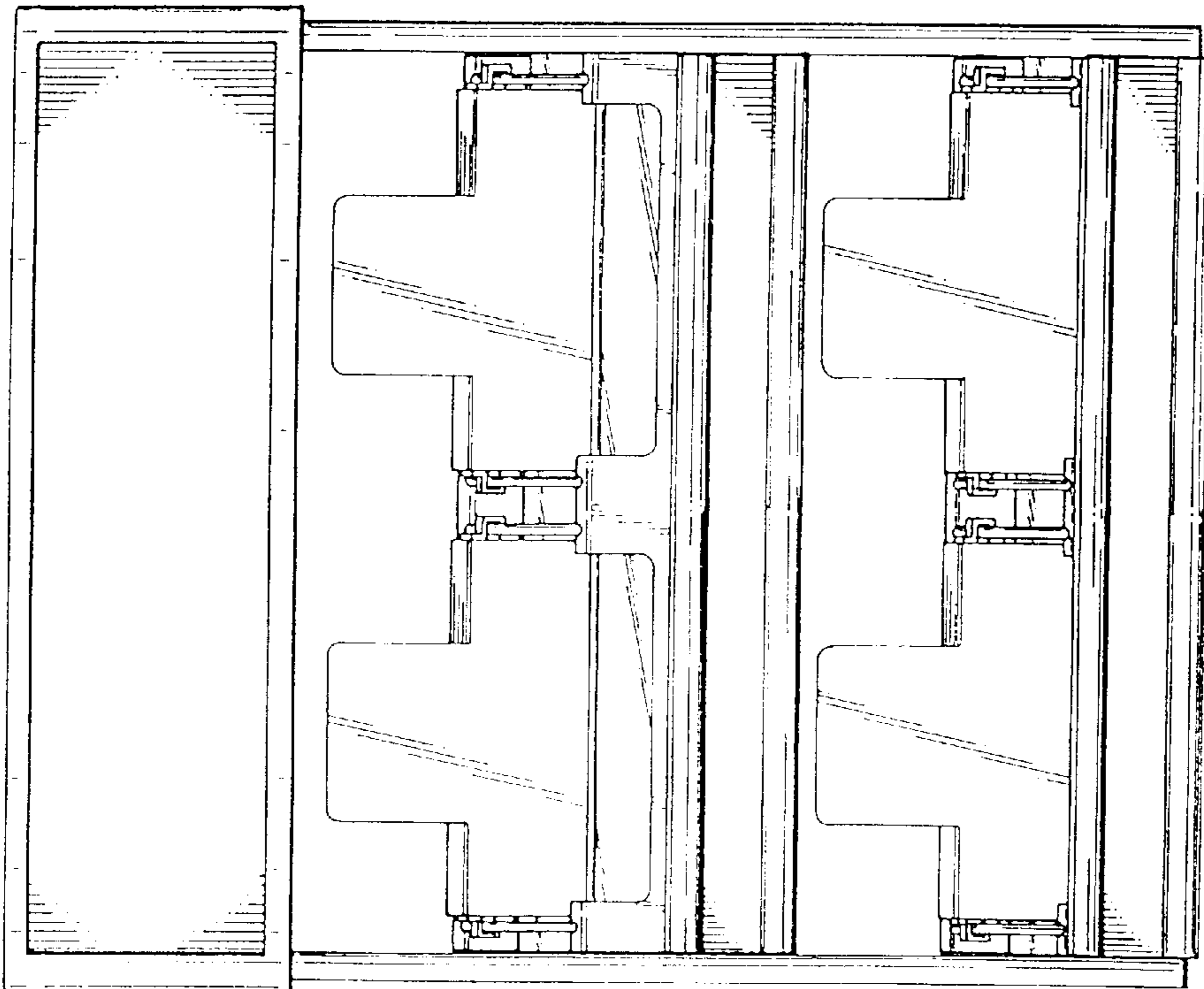


FIG. 4

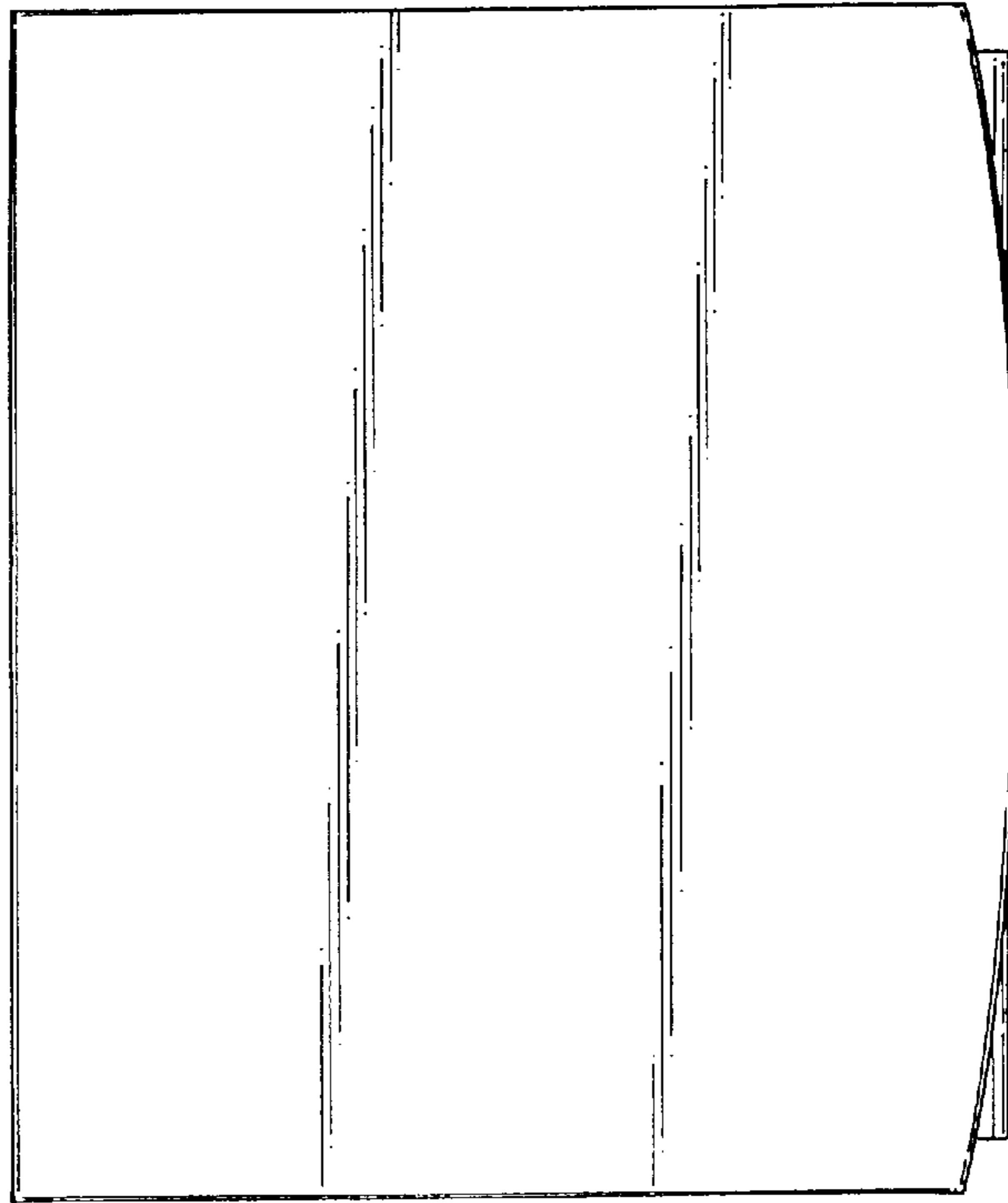


FIG. 6

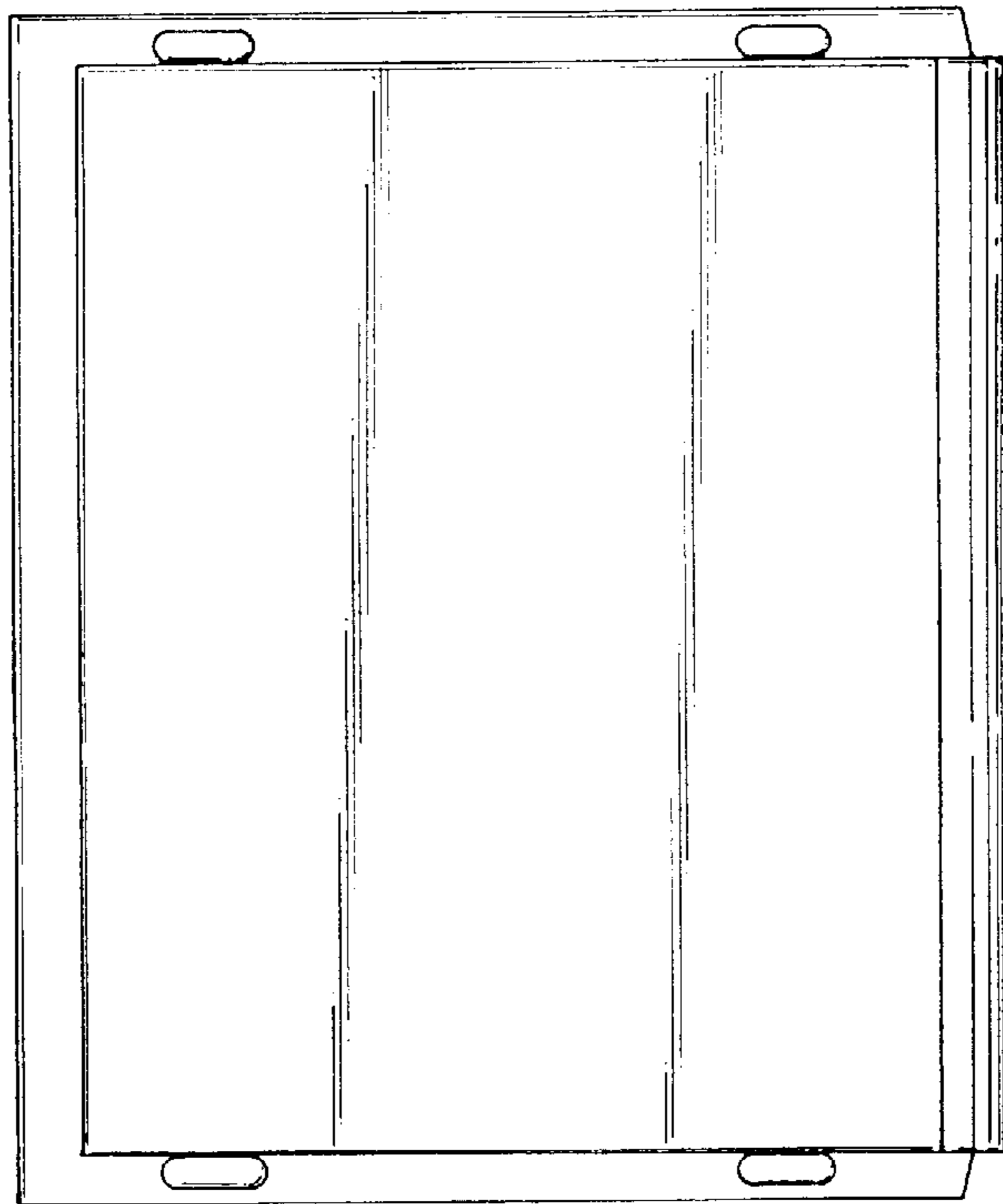


FIG. 7

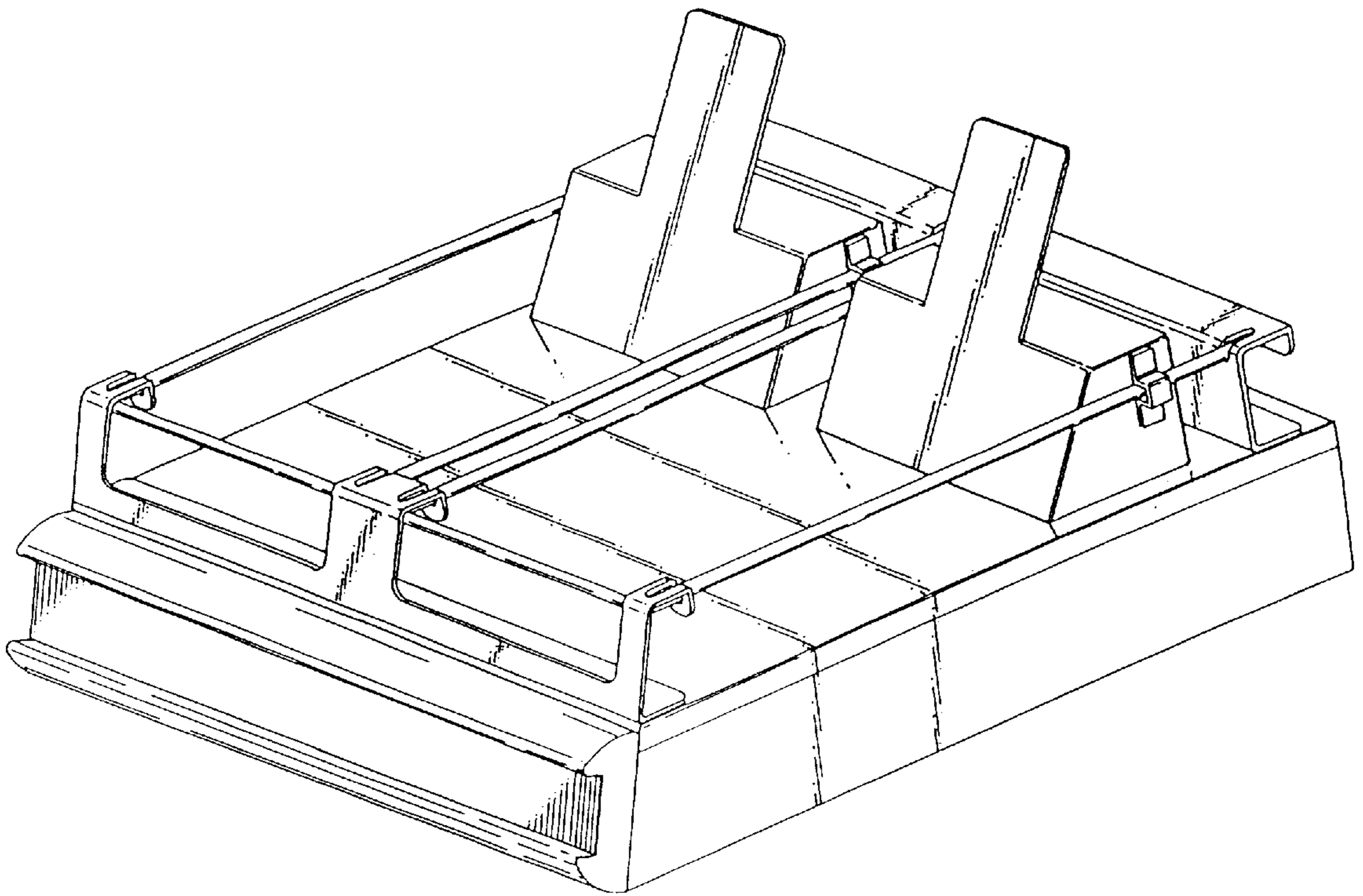


FIG. 8

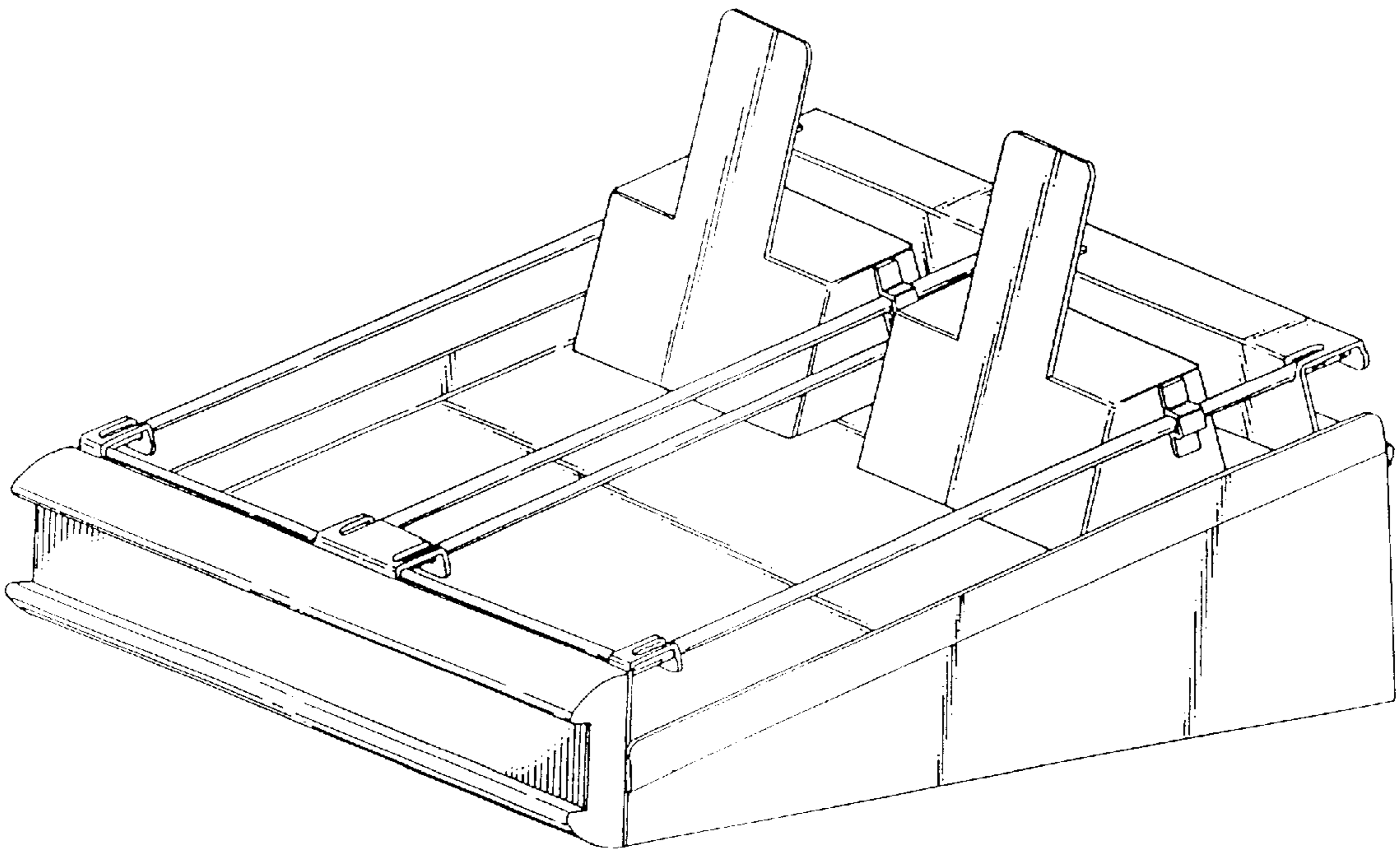


FIG. 9