



US00D402821S

United States Patent [19] Kozak

[11] **Patent Number: Des. 402,821**
[45] **Date of Patent: **Dec. 22, 1998**

[54] **COMBINED TUB RACK AND CARDHOLDER**

[76] Inventor: **Burton Kozak**, 1300 N. Lake Shore Dr., #28C, Chicago, Ill. 60610

[**] Term: **14 Years**

[21] Appl. No.: **54,031**

[22] Filed: **May 6, 1996**

[51] **LOC (6) Cl. 07-06**

[52] **U.S. Cl. D6/397**

[58] **Field of Search** D6/397, 476, 449, D6/450, 464, 475, 463, 472, 566; 211/13, 128, 59.2

[56] **References Cited**

U.S. PATENT DOCUMENTS

- D. 16,533 2/1886 Warner .
- D. 86,017 1/1932 Fuerst .
- D. 110,477 7/1938 Carpenter .
- D. 138,192 7/1944 Ansell .
- D. 162,397 3/1951 Fink .
- D. 162,990 4/1951 Roeder .
- D. 186,254 9/1959 Tirlet .
- D. 188,478 7/1960 Patterson .
- D. 189,982 3/1961 Christoffersen .
- D. 208,443 8/1967 Rollins, Jr. .
- D. 214,474 6/1969 Goldstein D6/566
- D. 220,438 4/1971 Gross D6/566
- D. 234,042 1/1975 Barton .
- D. 250,562 12/1978 Newman .
- D. 253,023 10/1979 Denhoff .
- D. 289,837 5/1987 Luckey .

- D. 301,665 6/1989 Suttles .
- D. 321,609 11/1991 Dardashti .
- D. 331,336 12/1992 Keong .
- D. 366,579 1/1996 Kozak .
- 1,745,164 1/1930 Griffith 211/55 X
- 2,145,879 2/1939 Jewett .
- 2,314,500 3/1943 Jacobson .
- 2,913,124 11/1959 Rubenstein 211/55
- 4,248,352 2/1981 White .
- 4,726,477 2/1988 Martin .

FOREIGN PATENT DOCUMENTS

386227 1/1933 United Kingdom .

Primary Examiner—Pamela Burgess
Attorney, Agent, or Firm—Cherskov & Flaynik

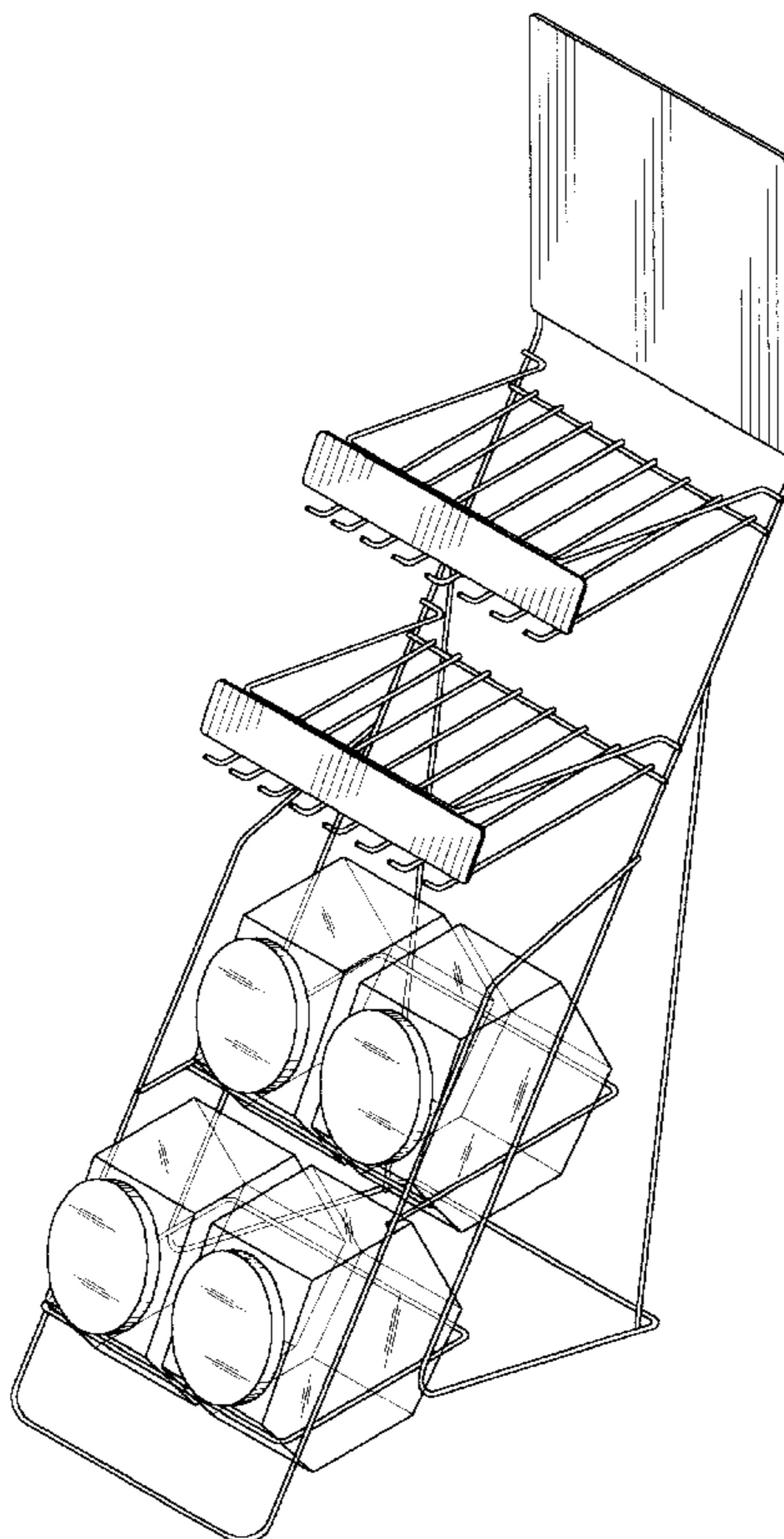
[57] **CLAIM**

The ornamental design for a combined tub rack and cardholder, as shown and described.

DESCRIPTION

FIG. 1 is a front elevational view of a combined tub rack and cardholder showing my new design; FIG. 2 is a right side elevational view thereof, the left side elevational view being a mirror image; FIG. 3 is a top front perspective view thereof, with the tubs removed for clarity of disclosure; FIG. 4 is a top front perspective view thereof; FIG. 5 is a top perspective view thereof, with the tubs removed for clarity of disclosure; and, FIG. 6 is a top rear perspective view thereof.

1 Claim, 6 Drawing Sheets



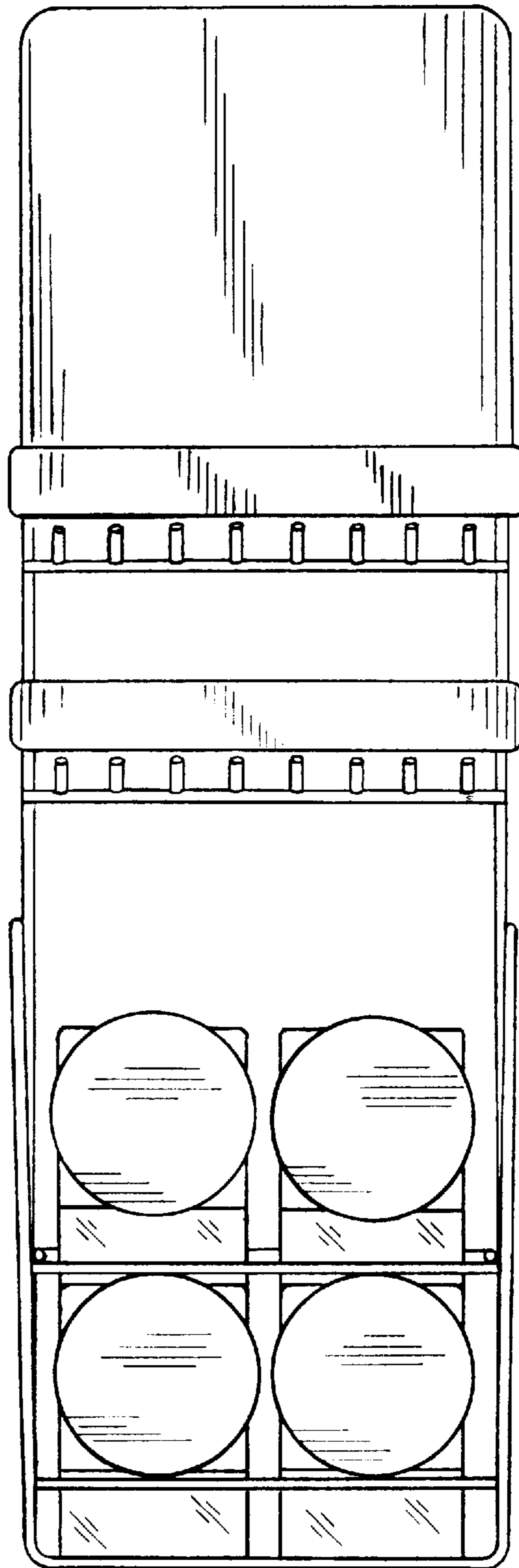
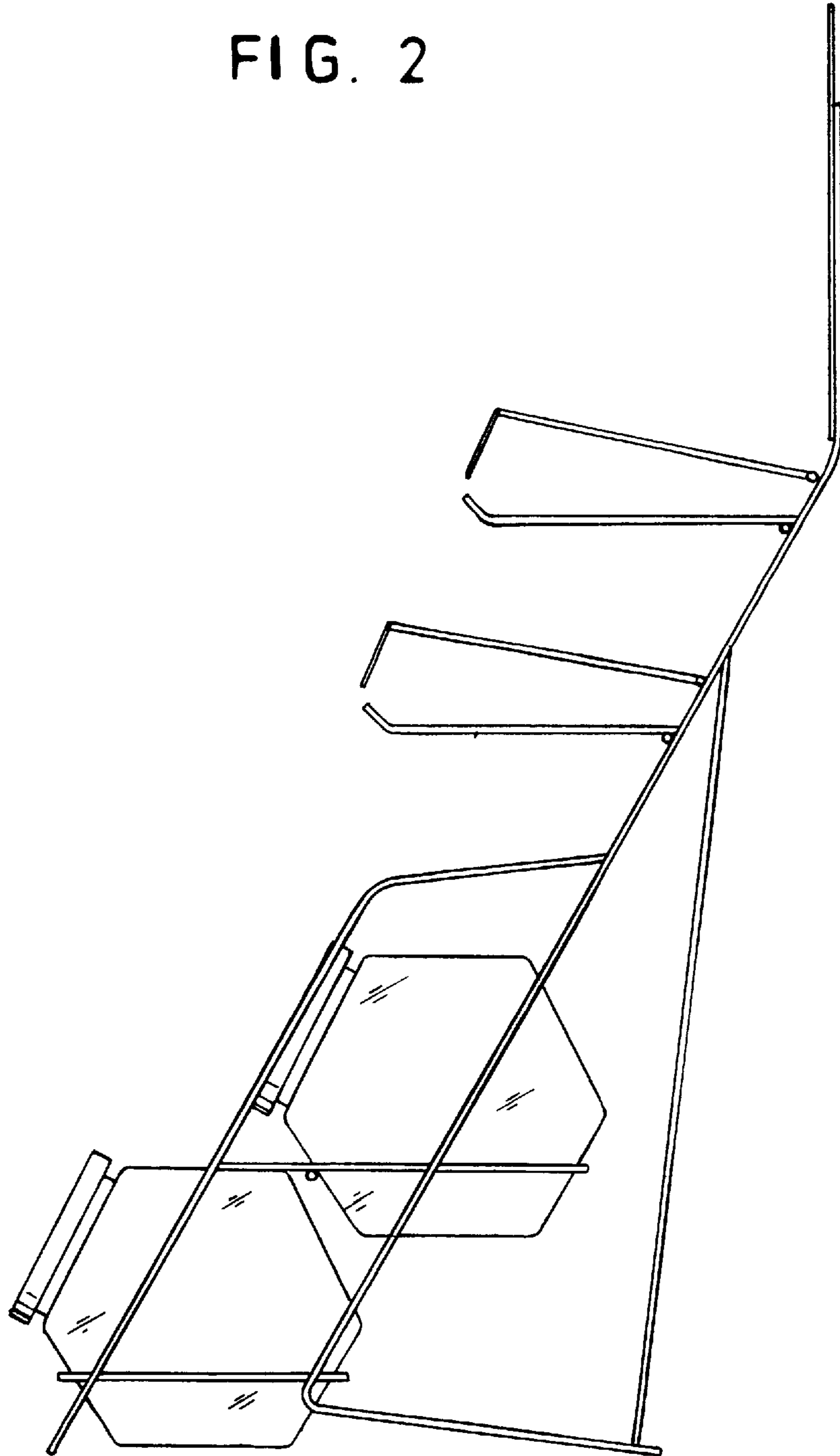


FIG. 1

FIG. 2



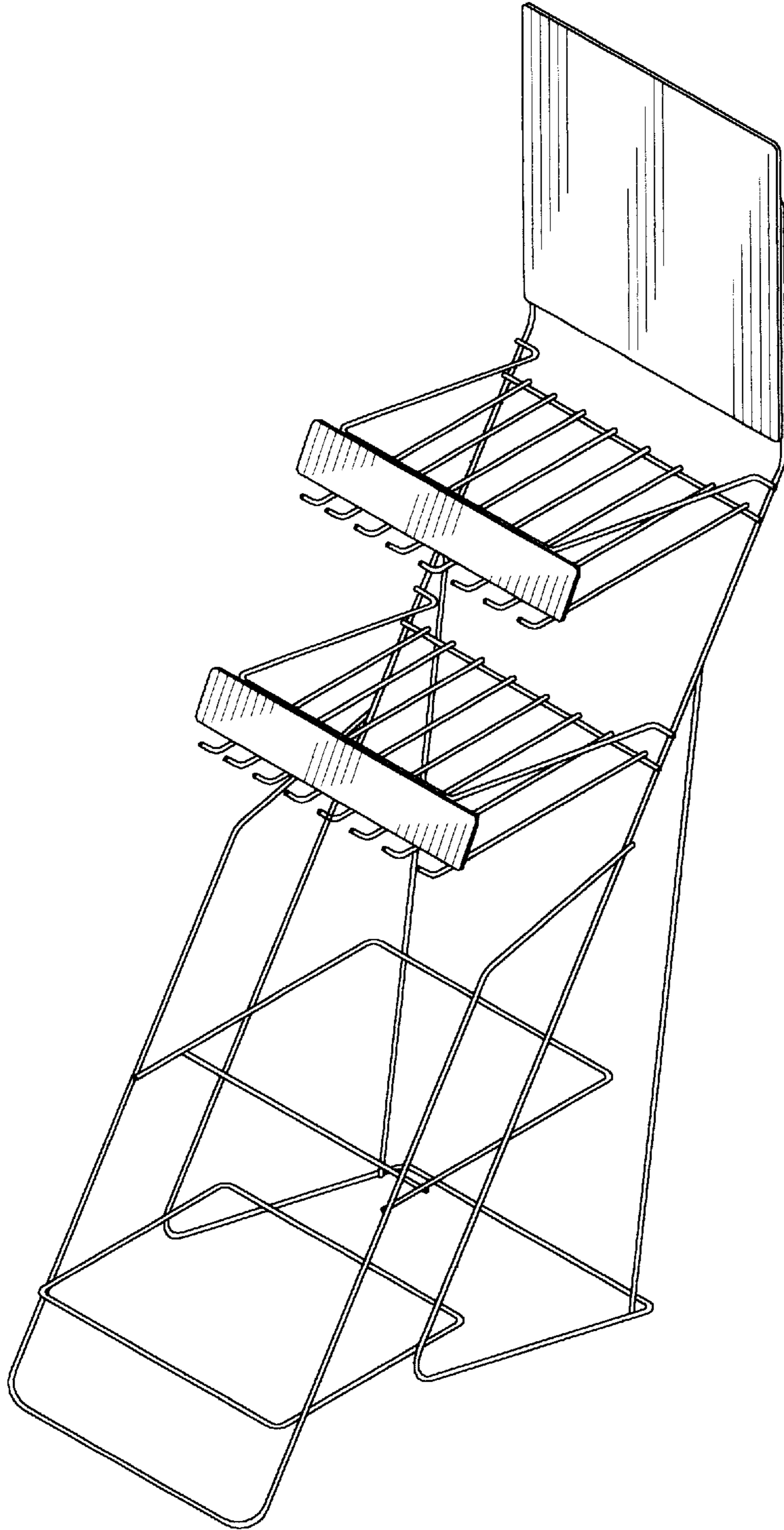


FIG. 3

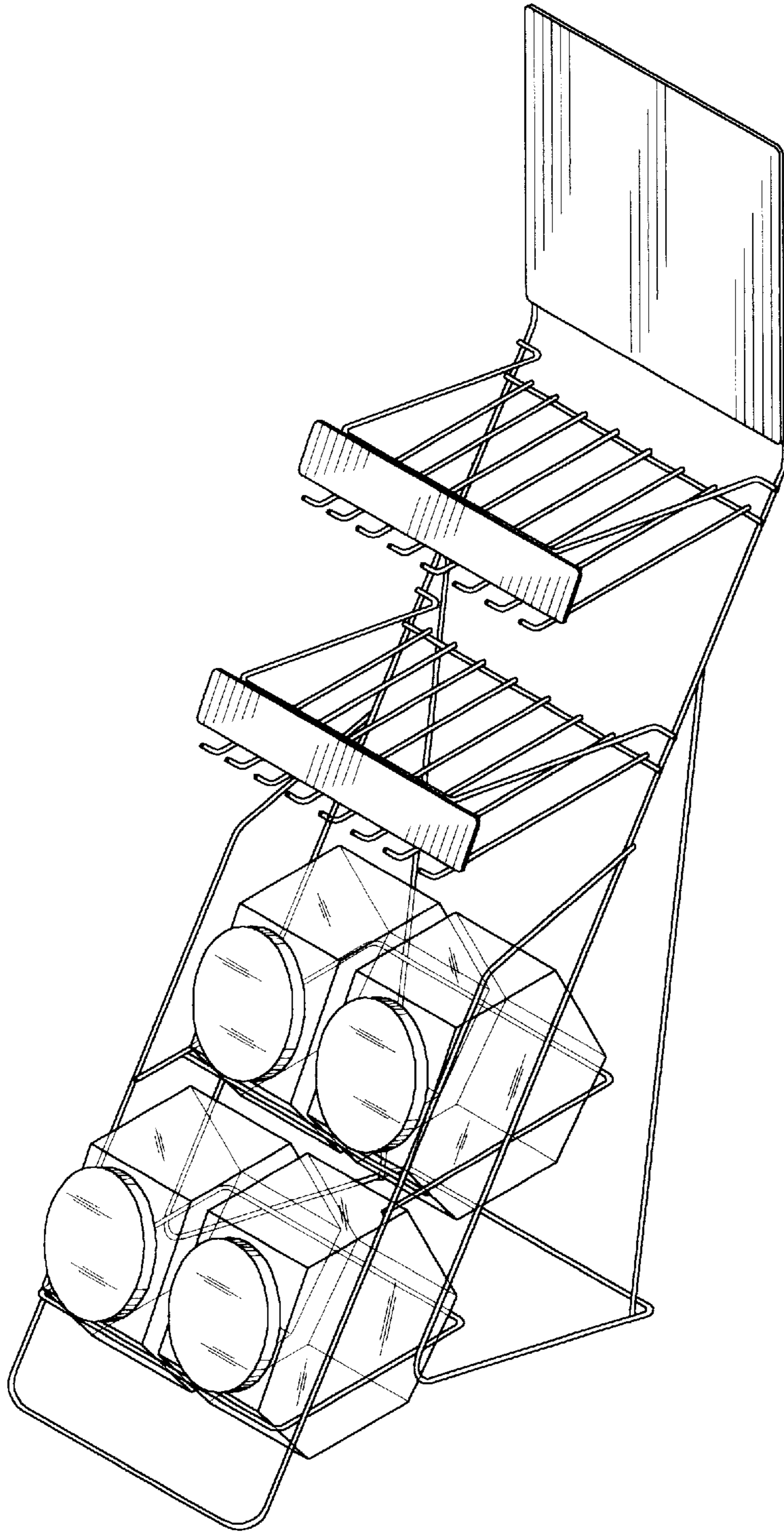


FIG. 4

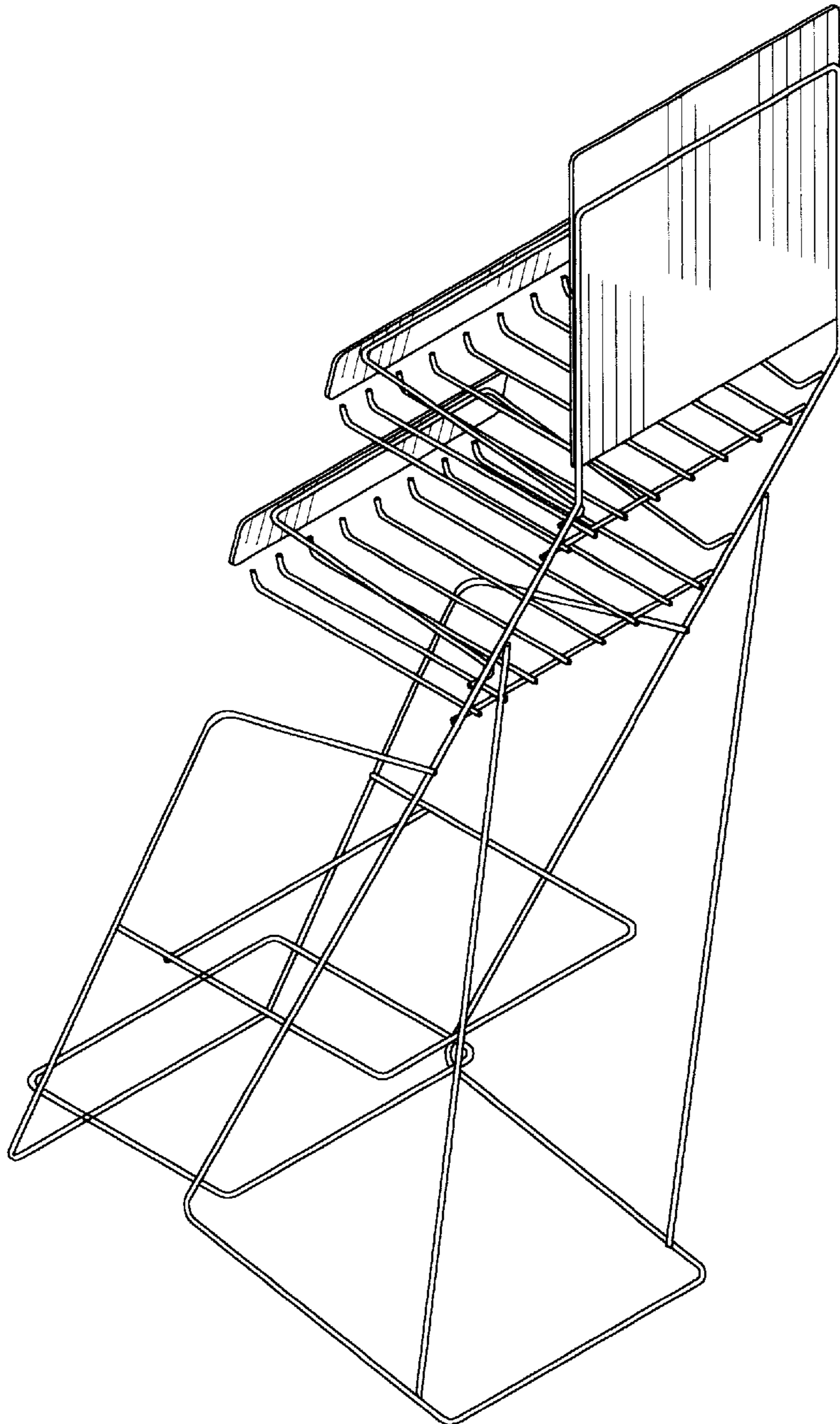


FIG. 5

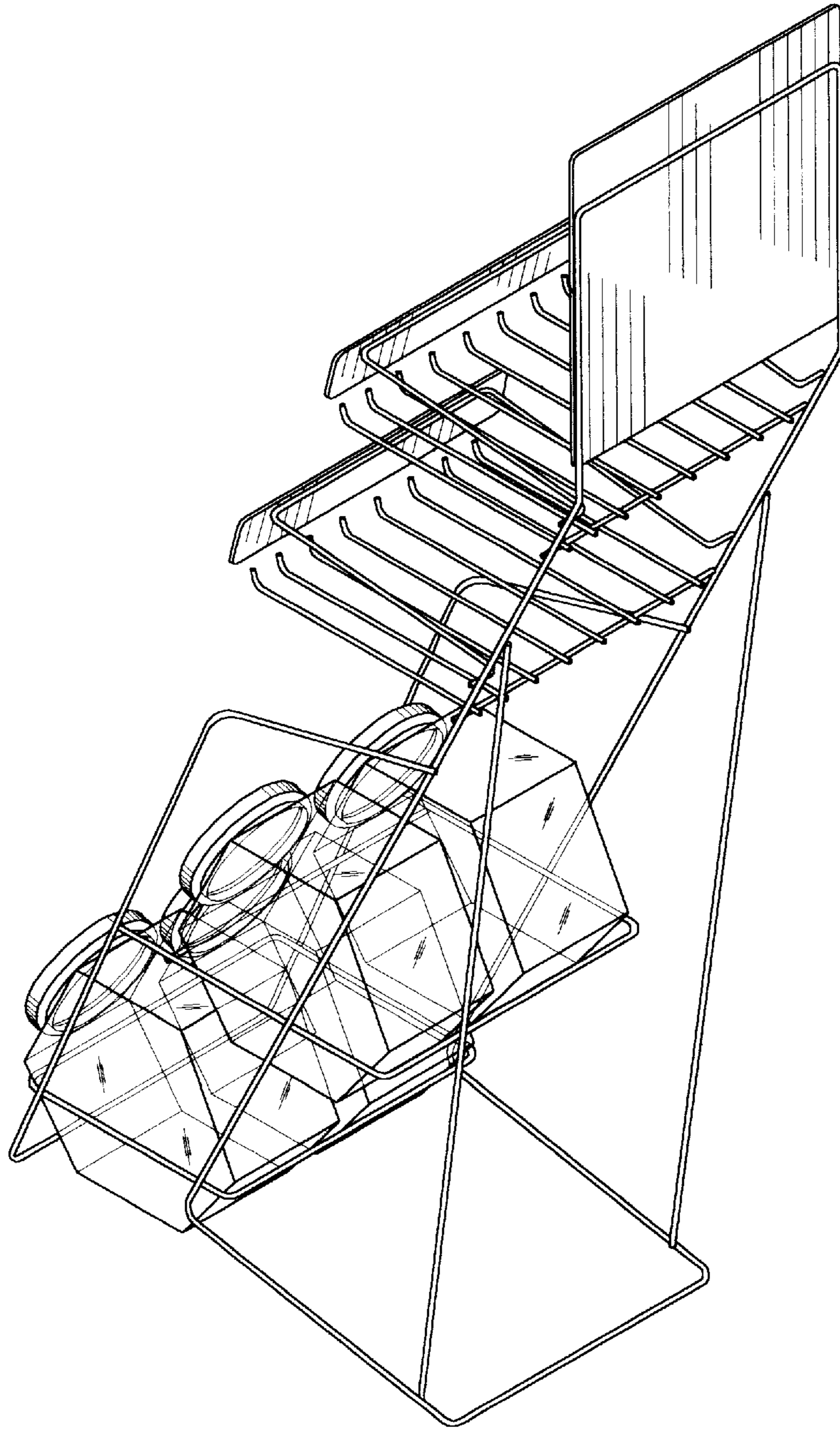


FIG. 6