



US00D402819S

United States Patent [19] Weil

[11] **Patent Number: Des. 402,819**

[45] **Date of Patent: **Dec. 22, 1998**

[54] **DISPLAY UNIT**

[75] Inventor: **Daniel Weil**, London, Great Britain

[73] Assignee: **Swatch AG(Swatch SA) (Swatch Ltd.)**, Bienne, Switzerland

[**] Term: **14 Years**

[21] Appl. No.: **58,025**

[22] Filed: **Aug. 6, 1996**

[30] **Foreign Application Priority Data**

Feb. 6, 1996 [XH] Hague Agreement DM/03545

[51] **LOC (6) Cl.** **06-04**

[52] **U.S. Cl.** **D6/396**

[58] **Field of Search** D6/449, 491, 396, D6/492, 397, 332, 509; 160/127, 135, 128, 351, 352; 108/50, 28, 33, 161, 152; D25/53, 58; 211/134, 149, 180, 113.1, 86-90; D20/10, 19; 52/239, 36.4, 36.5

[56] **References Cited**

U.S. PATENT DOCUMENTS

D. 286,108 10/1986 Hanlon D6/449

2,445,164	7/1948	Worthman	160/127
3,224,489	12/1965	Haberthier	160/135
3,559,814	2/1971	Downing	211/149 X
4,043,086	8/1977	Kaulfuss et al.	52/36.4
4,269,005	5/1981	Timmons	52/239 X

Primary Examiner—James Gandy
Assistant Examiner—Linda Brooks
Attorney, Agent, or Firm—McGlew & Tuttle

[57] **CLAIM**

The ornamental design for a display unit, as shown and described.

DESCRIPTION

FIG. 1 is a front elevational view of a display unit, and; FIG. 2 is a front perspective view of FIG. 1.

The rear of the display unit forms no part of the claimed design.

1 Claim, 2 Drawing Sheets

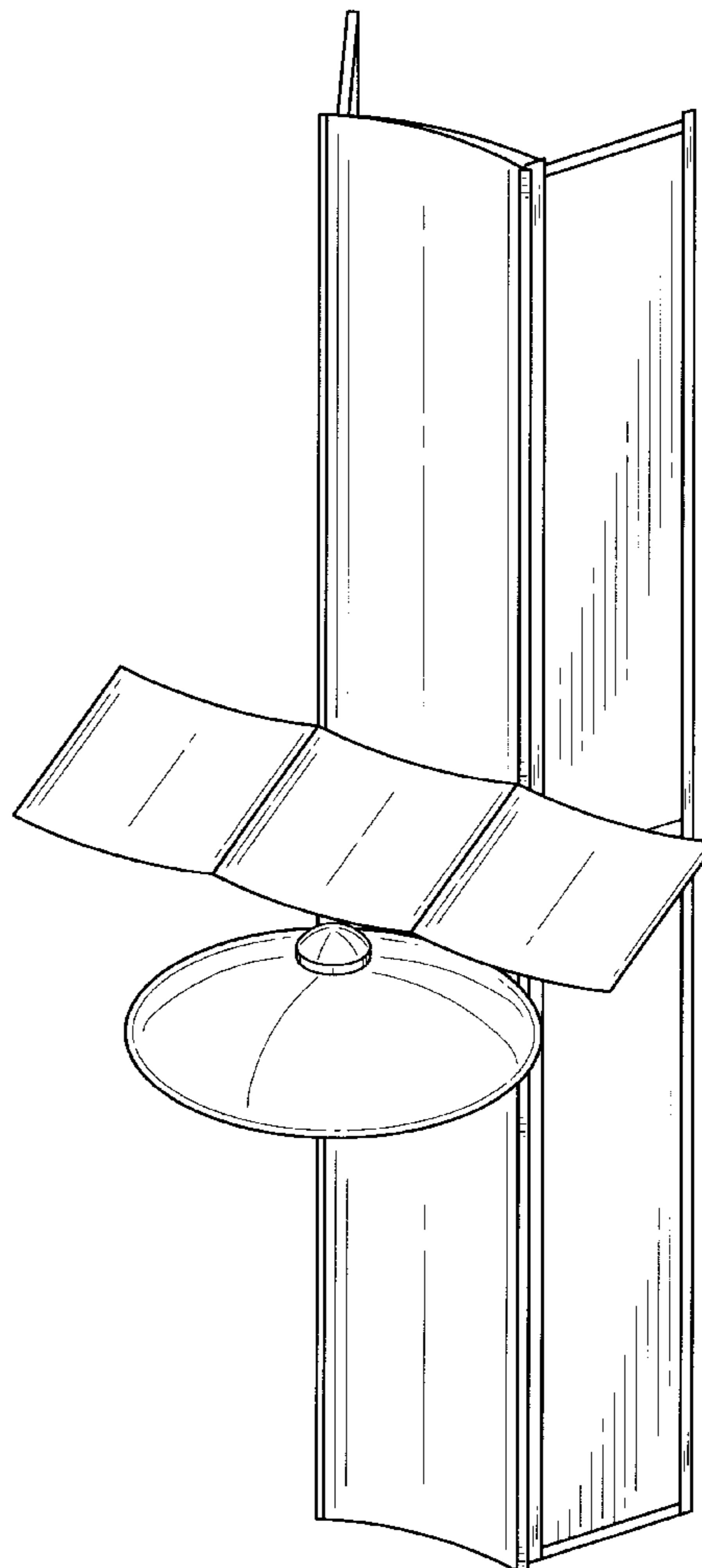
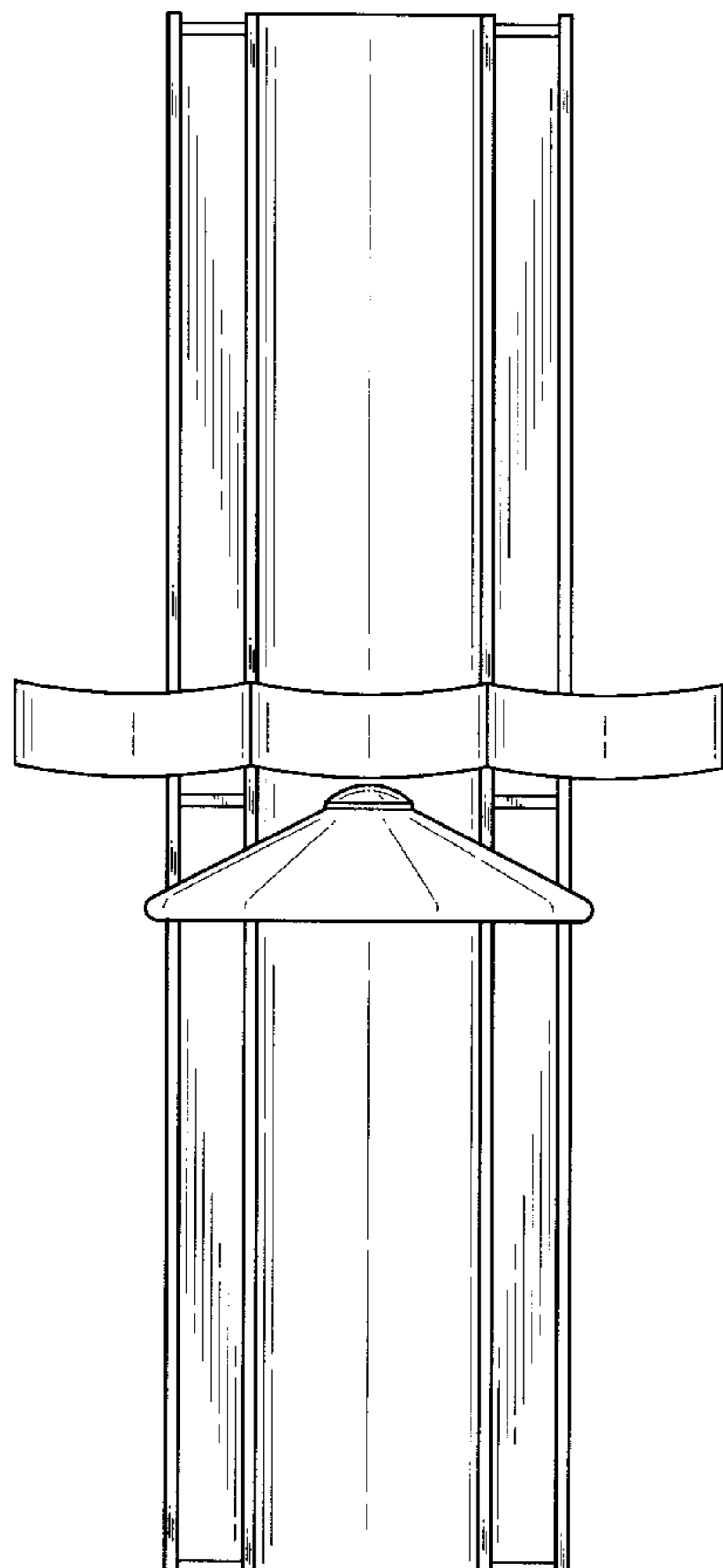


FIG-1

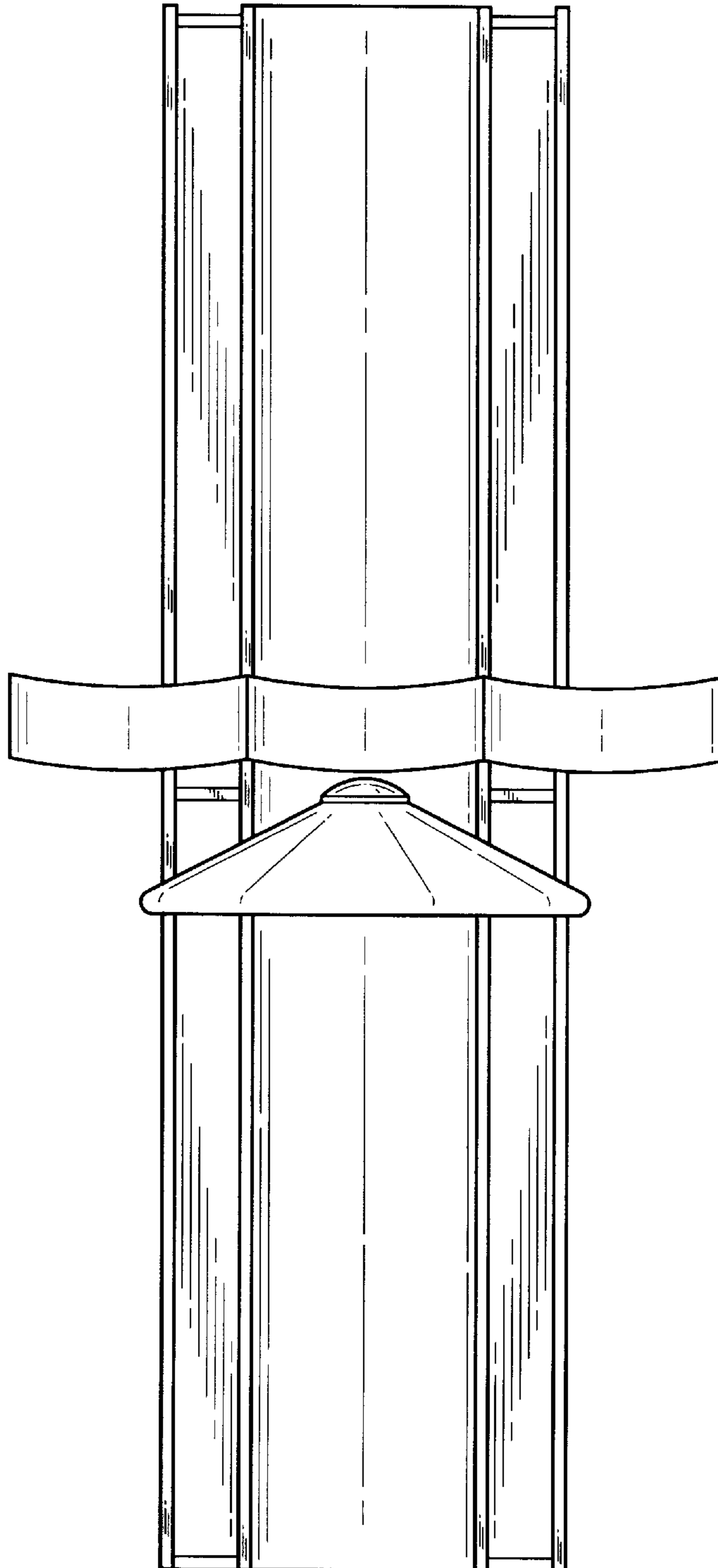
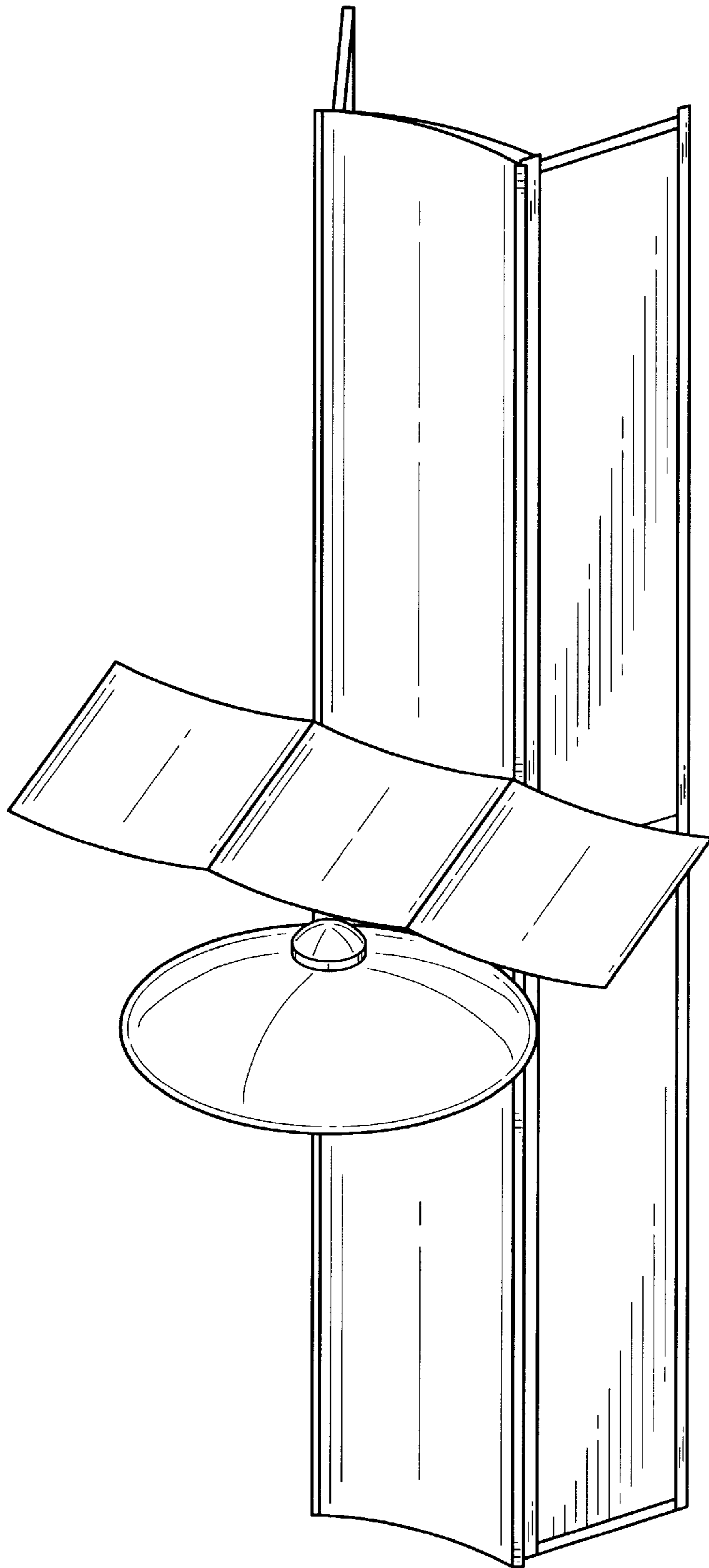


FIG-2



UNITED STATES PATENT AND TRADEMARK OFFICE
CERTIFICATE OF CORRECTION

PATENT NO. : Des. 402,819
DATED : December 22, 1998
INVENTOR(S) : WEIL

It is certified that error appears in the above-identified patent and that said Letters Patent is hereby corrected as shown below:

On the title page, item:

[30] Foreign Application Priority Data

Feb. 6, 1996 [XH] Hague Agreement.....DM/035451

Signed and Sealed this
Twentieth Day of April, 1999



Q. TODD DICKINSON

Acting Commissioner of Patents and Trademarks

Attest:

Attesting Officer