



US00D402815S

**United States Patent** [19]  
**Silva**

[11] **Patent Number: Des. 402,815**

[45] **Date of Patent: \*\*Dec. 22, 1998**

[54] **HASSOCK**

[75] Inventor: **Don Silva**, Emeryville, Calif.

[73] Assignee: **National Upholstering Company**,  
Oakland, Calif.

[\*\*] Term: **14 Years**

[21] Appl. No.: **74,535**

[22] Filed: **Aug. 5, 1997**

[51] **LOC (6) Cl.** ..... **06-01**

[52] **U.S. Cl.** ..... **D6/349**

[58] **Field of Search** ..... D6/349, 350, 352,  
D6/353, 355; 297/423.1, 423.39, 423.41,  
461, 460

[56] **References Cited**

**U.S. PATENT DOCUMENTS**

D. 19,186	7/1889	Bartlett	.....	D6/349
D. 360,992	8/1995	Hutton	.....	D6/349
2,696,870	12/1954	Mende	.....	297/462 X

**FOREIGN PATENT DOCUMENTS**

1299033 6/1961 France ..... 297/462

**OTHER PUBLICATIONS**

Spiegel, Christmas, 1995, p. 227, footstool at lower right.

*Primary Examiner*—Janice E. Seeger  
*Attorney, Agent, or Firm*—Thomas R. Lampe

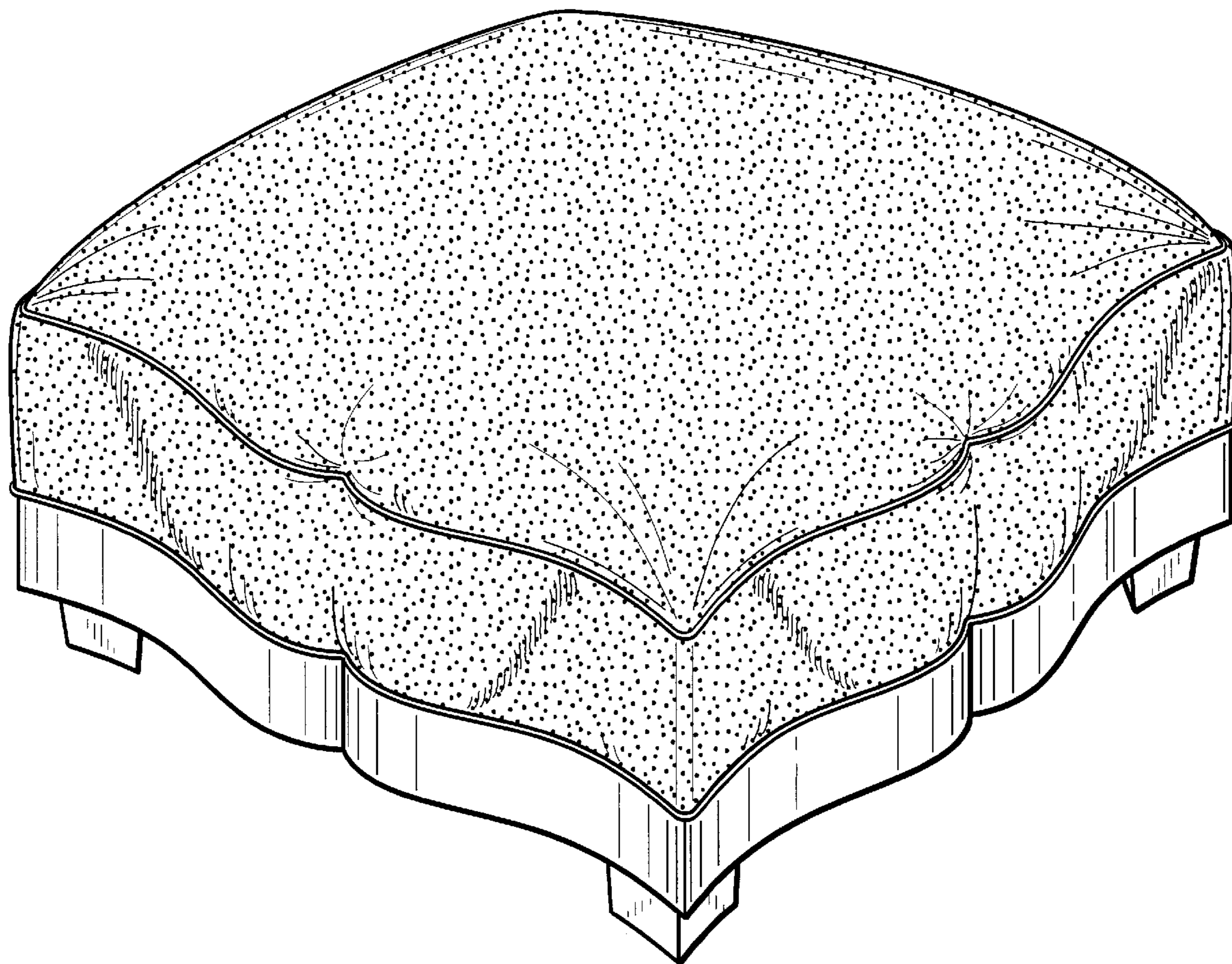
[57] **CLAIM**

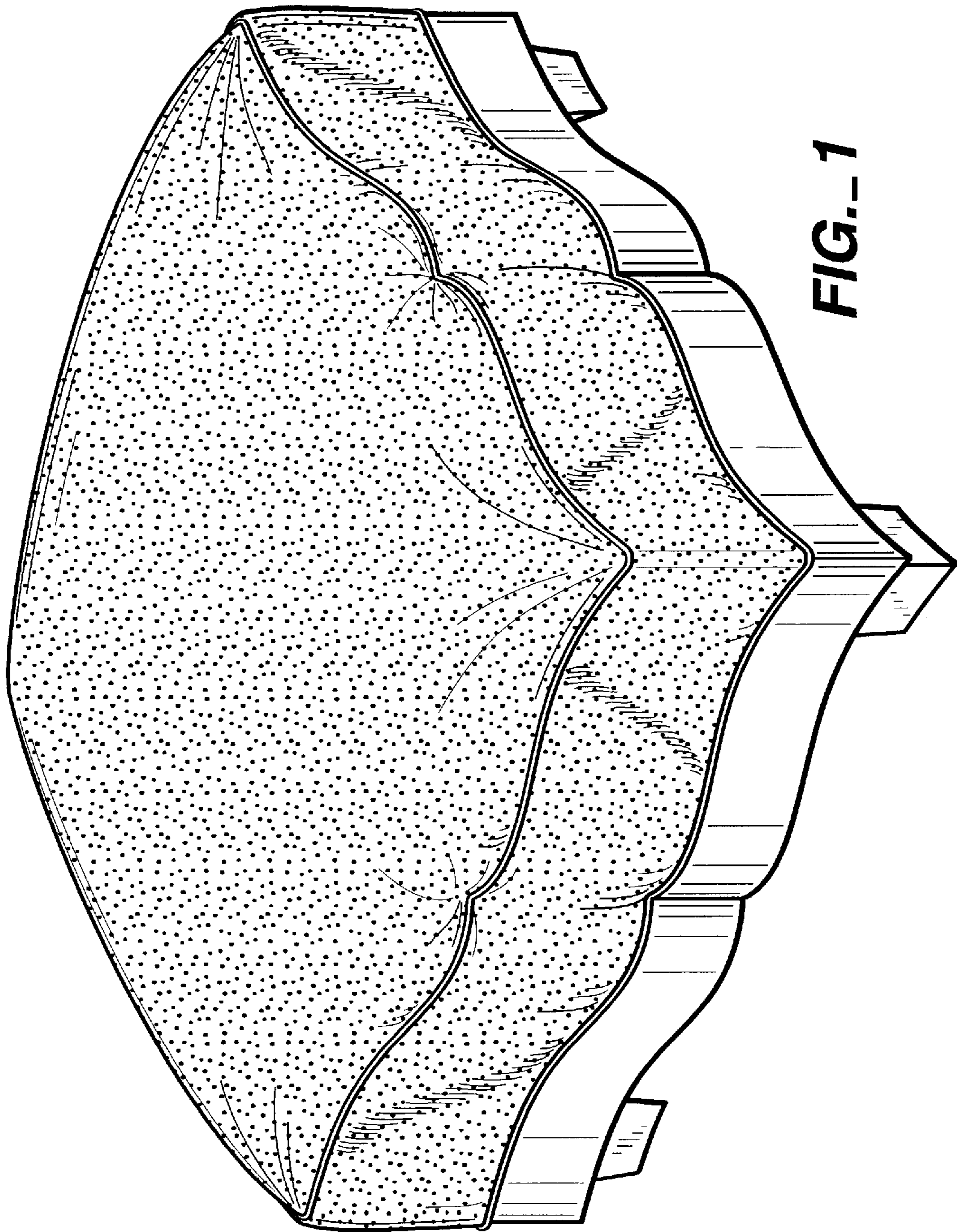
The ornamental design for hassock, as shown and described.

**DESCRIPTION**

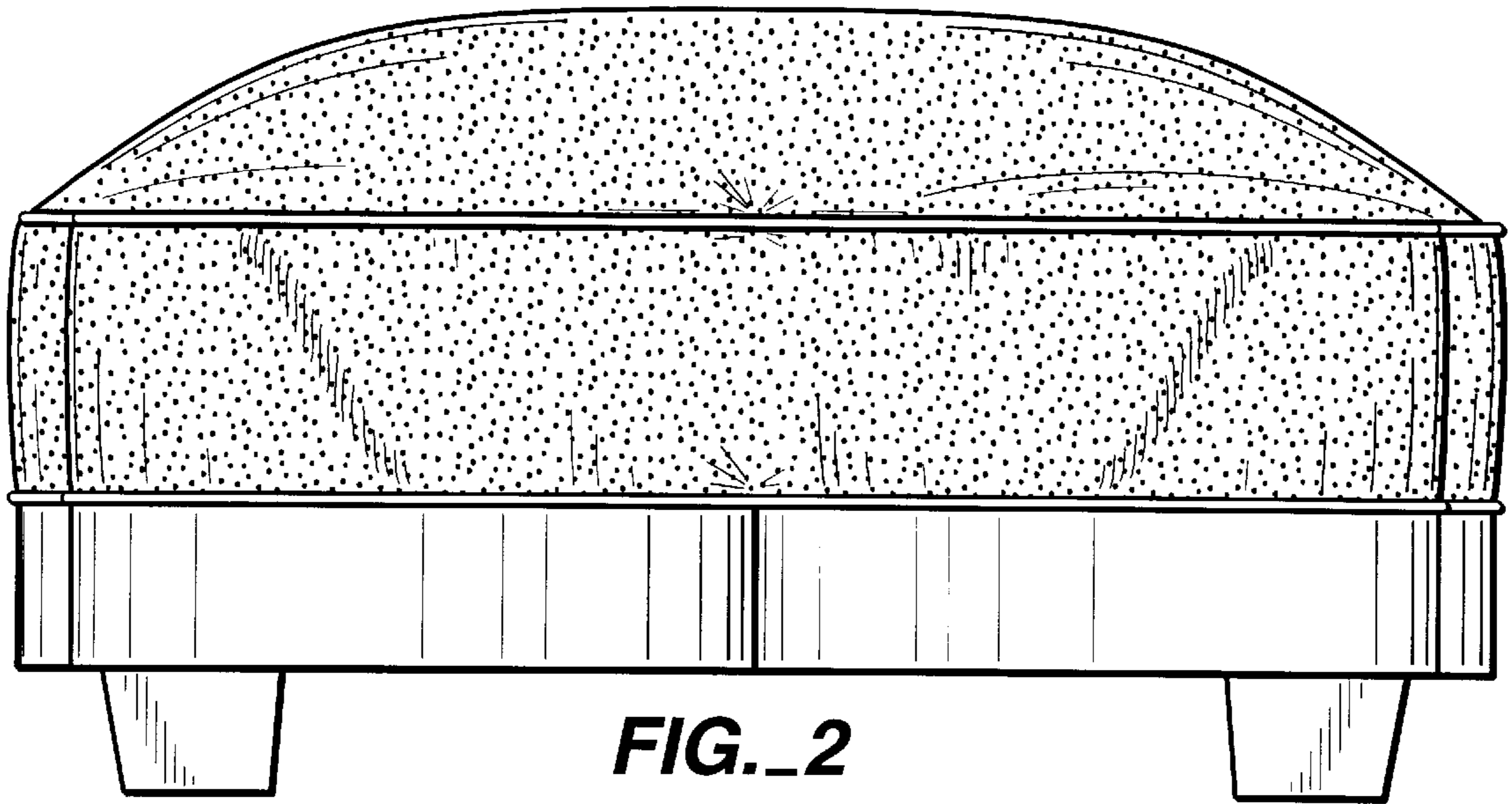
FIG. 1 is a perspective view of hassock showing my design; FIG. 2 is a front elevation view thereof, the back elevation view, the right elevation side view, and the left elevation side view all being identical; FIG. 3 is a top plan view thereof; and, FIG. 4 is a bottom plan view thereof.

**1 Claim, 3 Drawing Sheets**

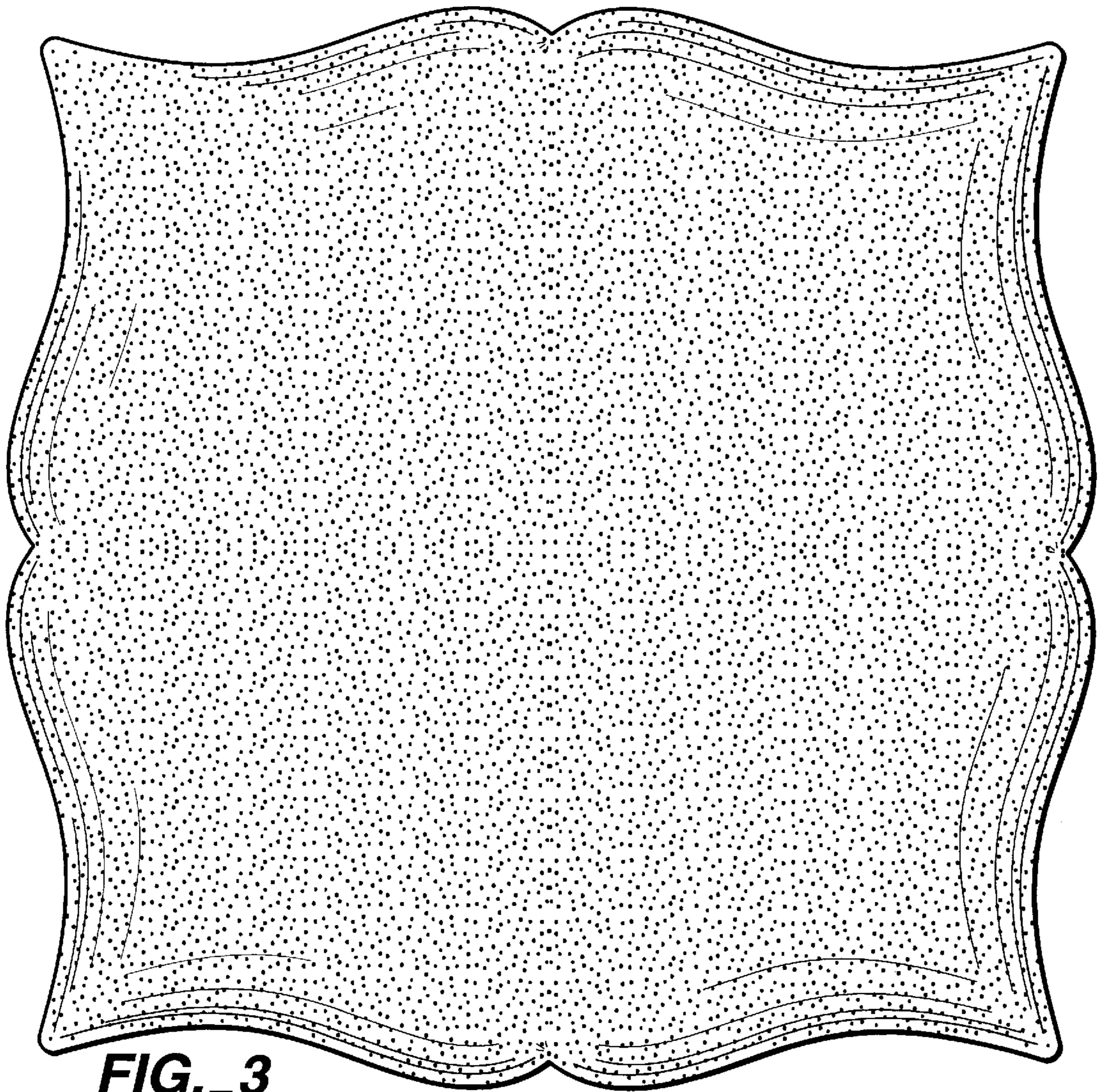




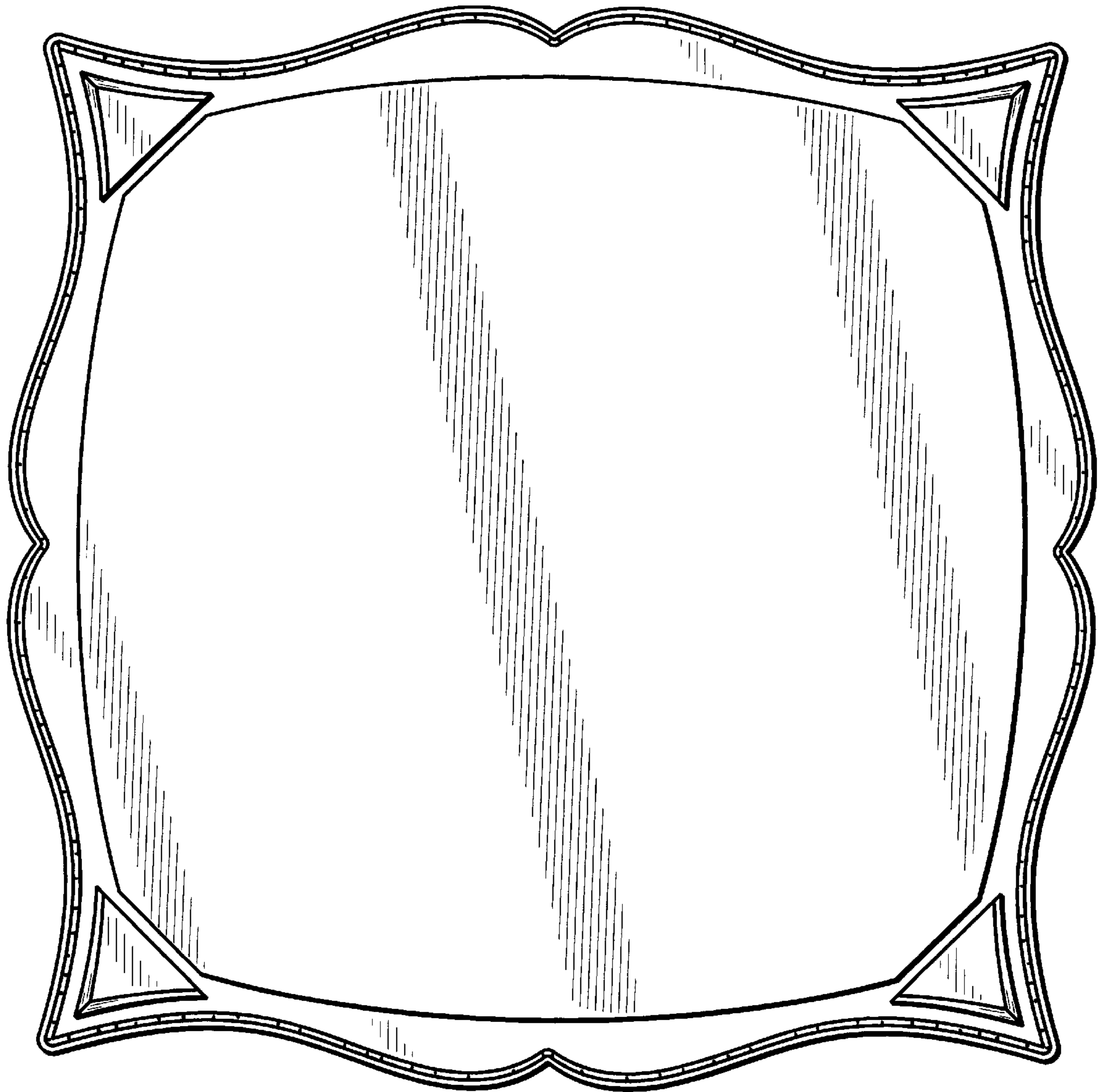
**FIG.-1**



**FIG. 2**



**FIG. 3**



**FIG. 4**