



US00D402811S

United States Patent [19]
Stansbury, Jr.

[11] **Patent Number: Des. 402,811**
[45] **Date of Patent: **Dec. 22, 1998**

[54] **ELECTRIC TOOTHBRUSH HEAD AND HANDLE UNIT**

D. 315,449 3/1991 Michaels et al. D4/104
2,875,458 3/1959 Tsuda 15/22.1
5,476,384 12/1995 Giuliani et al. 15/22.1 X

[75] Inventor: **Benjamin H. Stansbury, Jr.**,
Alexandria, Va.

OTHER PUBLICATIONS

[73] Assignee: **Pulse Innovations, Inc.**, Ontario,
Canada

Eaton's catalogue: p. 17 from catalog (Fall/Winter 1995).
Electric Toothbrushes. Pamphlet by Ultra Sonex, 1994,
Ultrasonic Toothbrush.

[**] Term: **14 Years**

Primary Examiner—Alan P. Douglas
Assistant Examiner—Lavone D. Tabor
Attorney, Agent, or Firm—Finnegan, Henderson, Farabow,
Garrett & Dunner, L.L.P.

[21] Appl. No.: **48,526**

[22] Filed: **Jan. 2, 1996**

[57] **CLAIM**

Related U.S. Application Data

The ornamental design for an electric toothbrush head and handle unit, as shown and described.

[63] Continuation-in-part of Ser. No. 41,677, Jul. 21, 1995,
abandoned.

DESCRIPTION

[51] **LOC (6) Cl.** **04-02**
[52] **U.S. Cl.** **D4/101; D4/104**
[58] **Field of Search** D4/101, 104, 112,
D4/132, 134, 138; 15/143.1, 159.1, 167.1,
167.2, 186, 187, 22.1, 22.2, 28, 29; 132/308,
309; 601/141, 142

FIG. 1 is a perspective view of an electric toothbrush head and handle unit showing my new design;
FIG. 2 is right side elevational view thereof, the opposite side being a mirror image;
FIG. 3 is a rear elevational view thereof;
FIG. 4 is a front elevational view thereof;
FIG. 5 is a top plan view thereof; and,
FIG. 6 is a bottom plan view thereof.

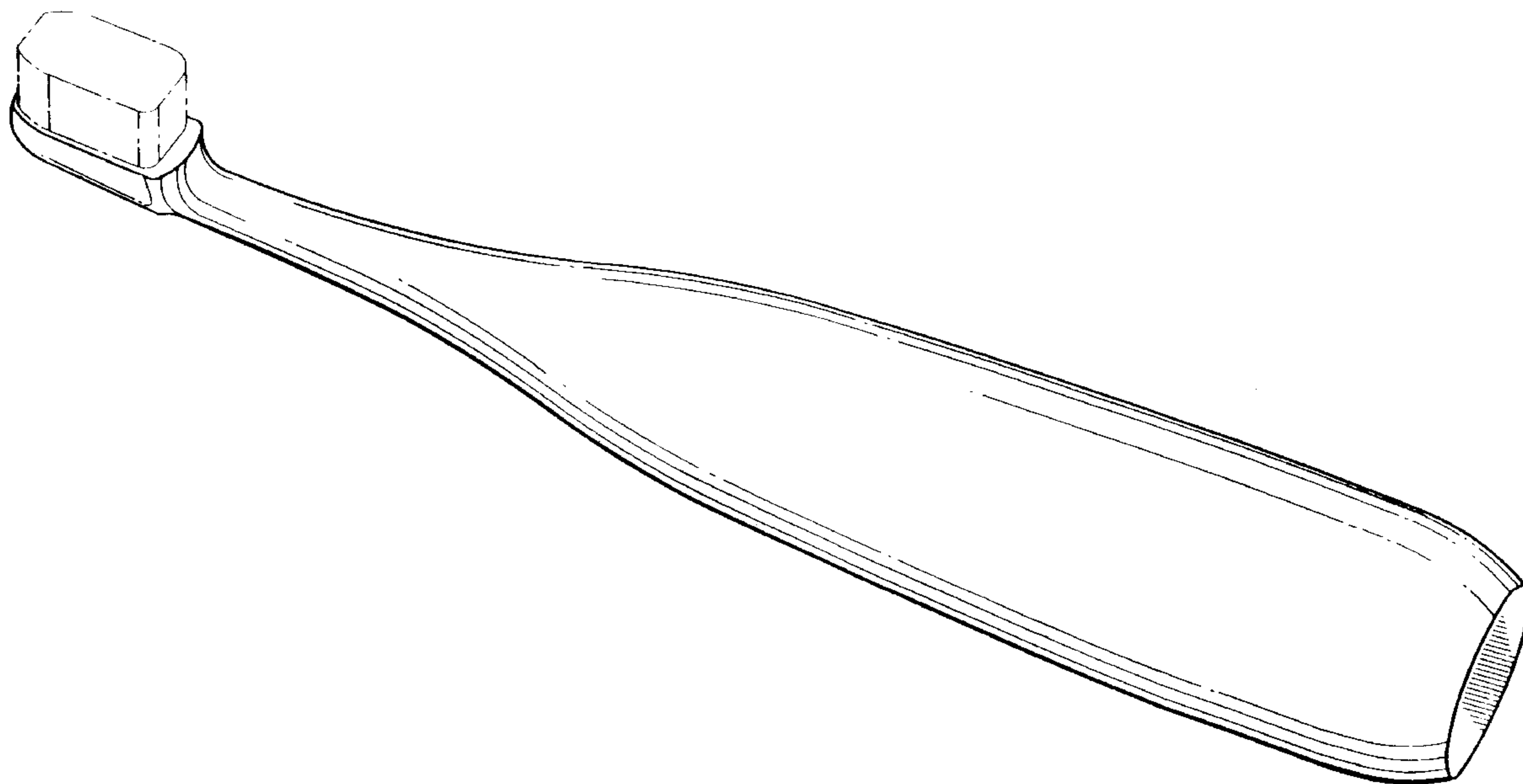
[56] **References Cited**

U.S. PATENT DOCUMENTS

The broken line showing of bristles is for illustrative purposes only and forms no part of the claimed design.

D. 118,268 12/1939 Salit D4/104
D. 304,786 11/1989 Kayamura D4/104

1 Claim, 3 Drawing Sheets



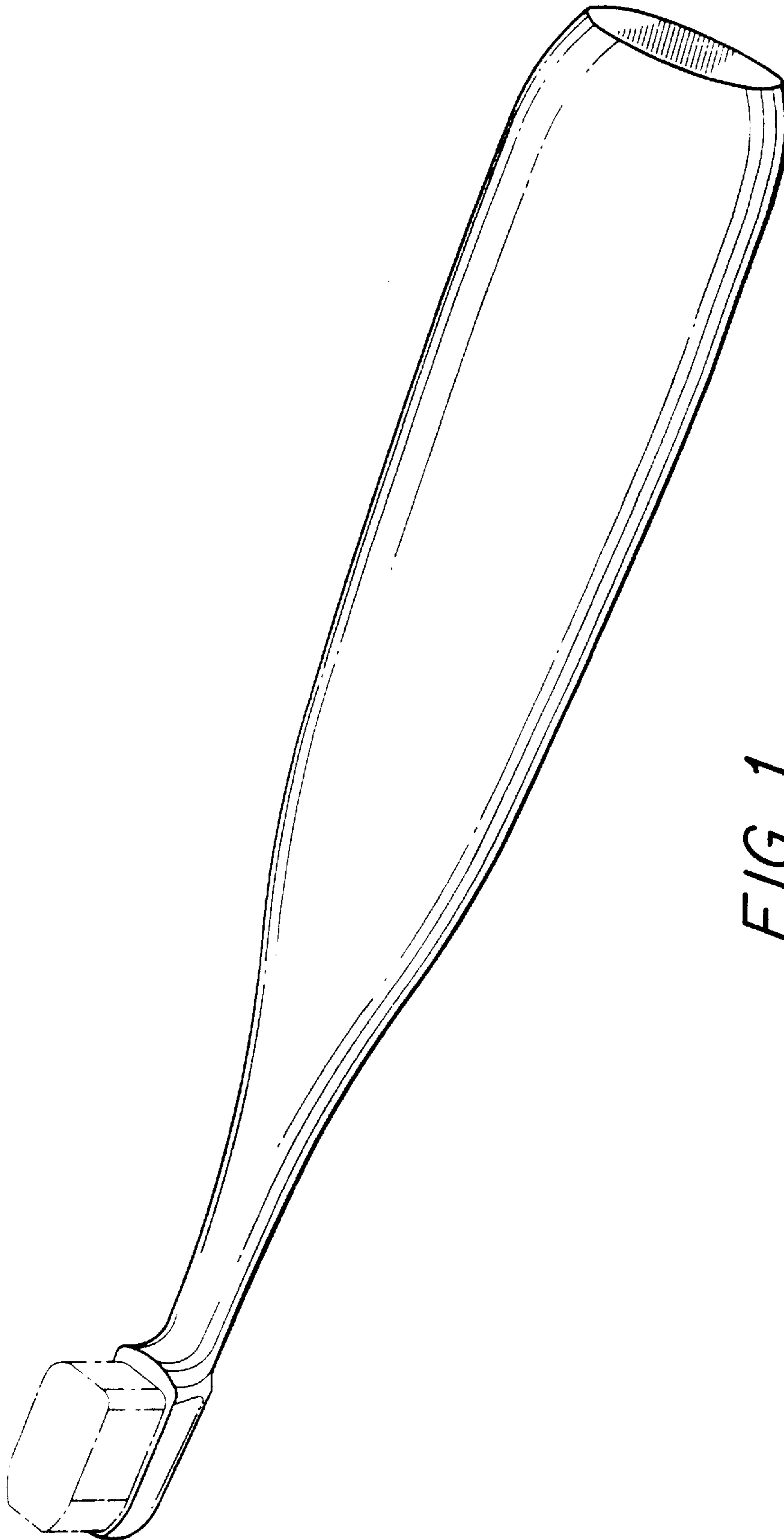


FIG. 1

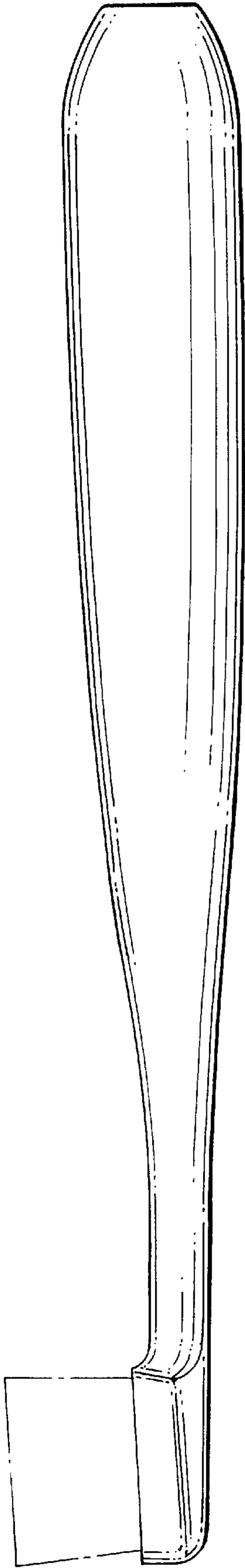


FIG. 2

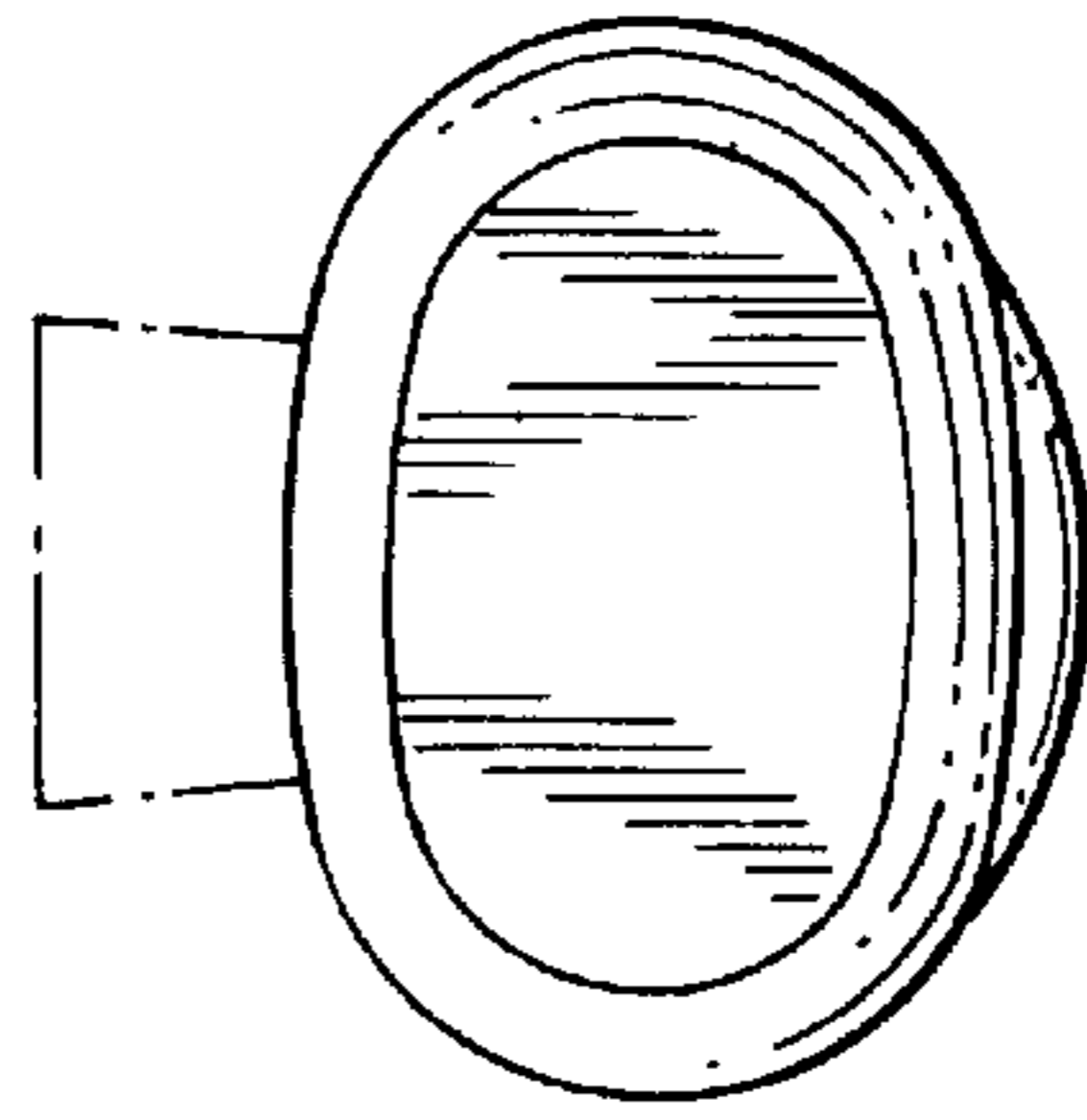


FIG. 3

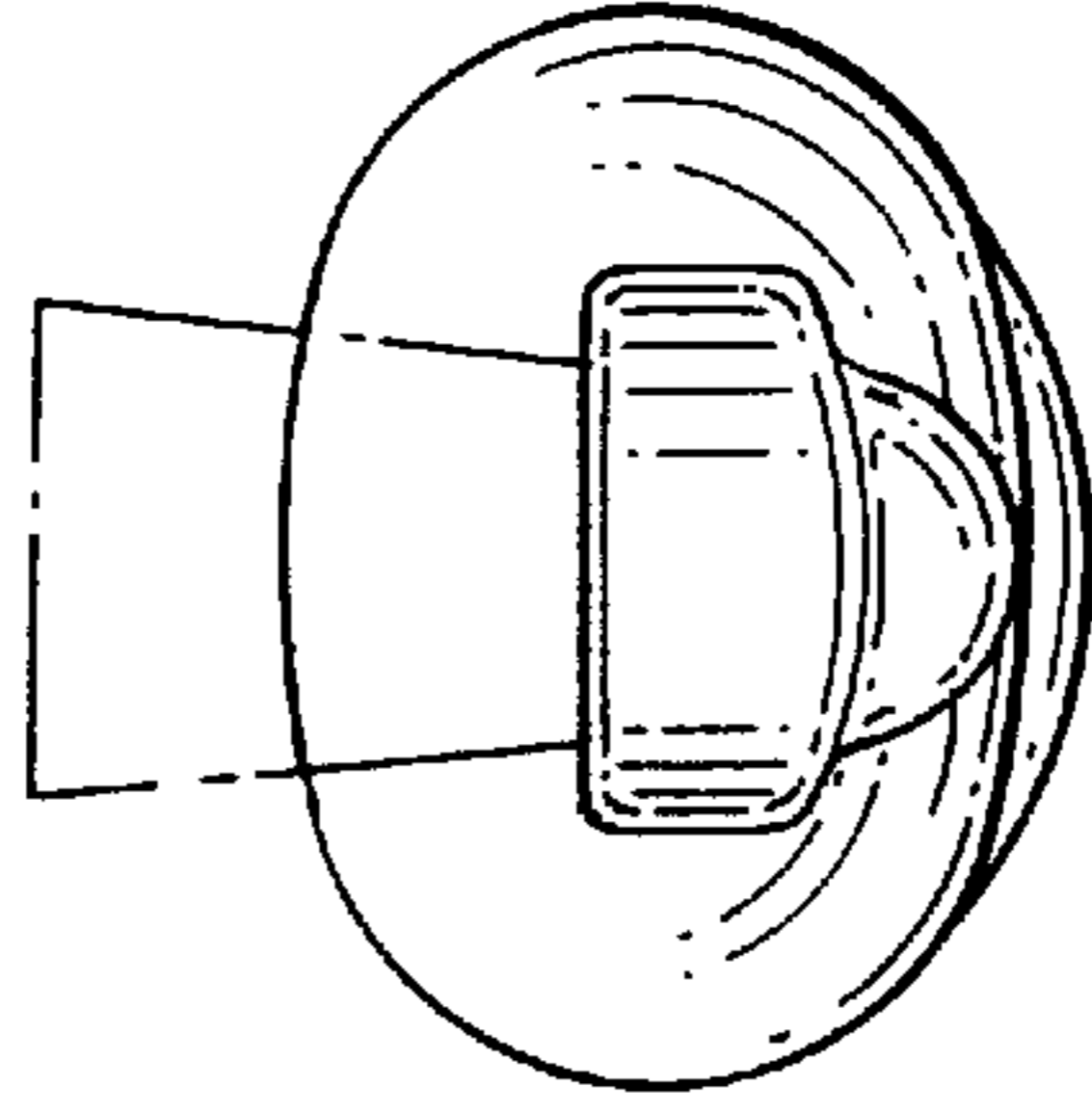


FIG. 4

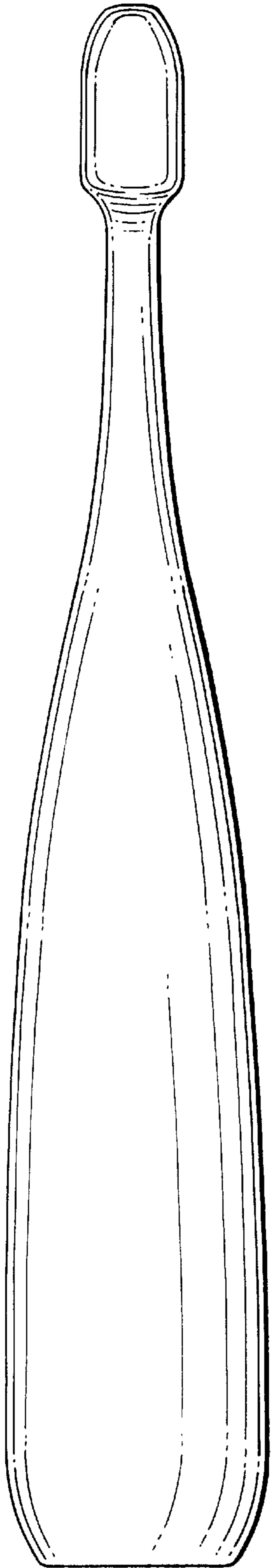


FIG. 5

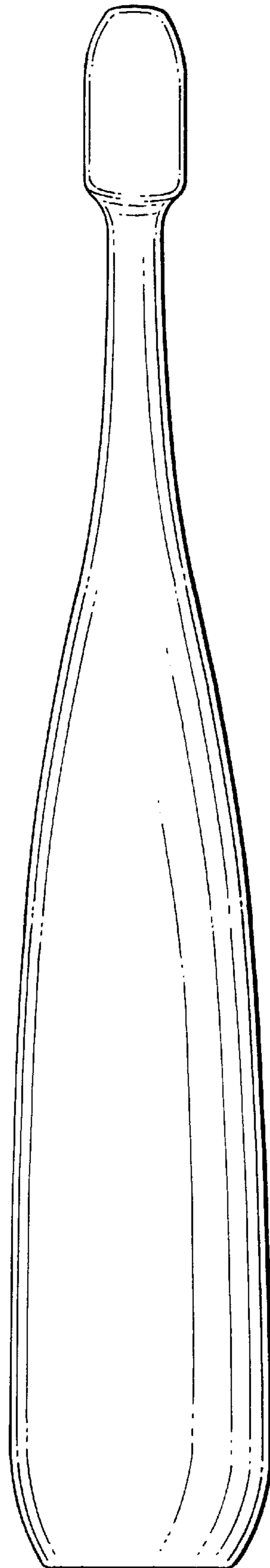


FIG. 6