



US00D402809S

United States Patent [19]
Bauman

[11] **Patent Number: Des. 402,809**

[45] **Date of Patent: **Dec. 22, 1998**

[54] **INFLATABLE CARRY BAG**

[76] Inventor: **Russell H. Bauman**, 21021 Devonshire Blvd. Suite 202, Chatsworth, Calif. 91311

[**] Term: **14 Years**

[21] Appl. No.: **79,889**

[22] Filed: **Nov. 25, 1997**

[51] **LOC (6) Cl.** **03-01**

[52] **U.S. Cl.** **D3/276; D3/301**

[58] **Field of Search** **D3/276, 287, 301; 383/3, 13, 18**

[56] **References Cited**

U.S. PATENT DOCUMENTS

D. 283,845	5/1986	Lief et al.	D3/276
4,164,970	8/1979	Jordan	383/3
4,503,558	3/1985	Lief et al.	383/3

4,574,953	3/1986	Garbuzov	383/3
4,705,085	11/1987	Brown	383/3
4,809,352	2/1989	Walker	383/3
4,826,329	5/1989	Bellini	383/3

Primary Examiner—Philip S. Hyder
Attorney, Agent, or Firm—Jack C. Munro

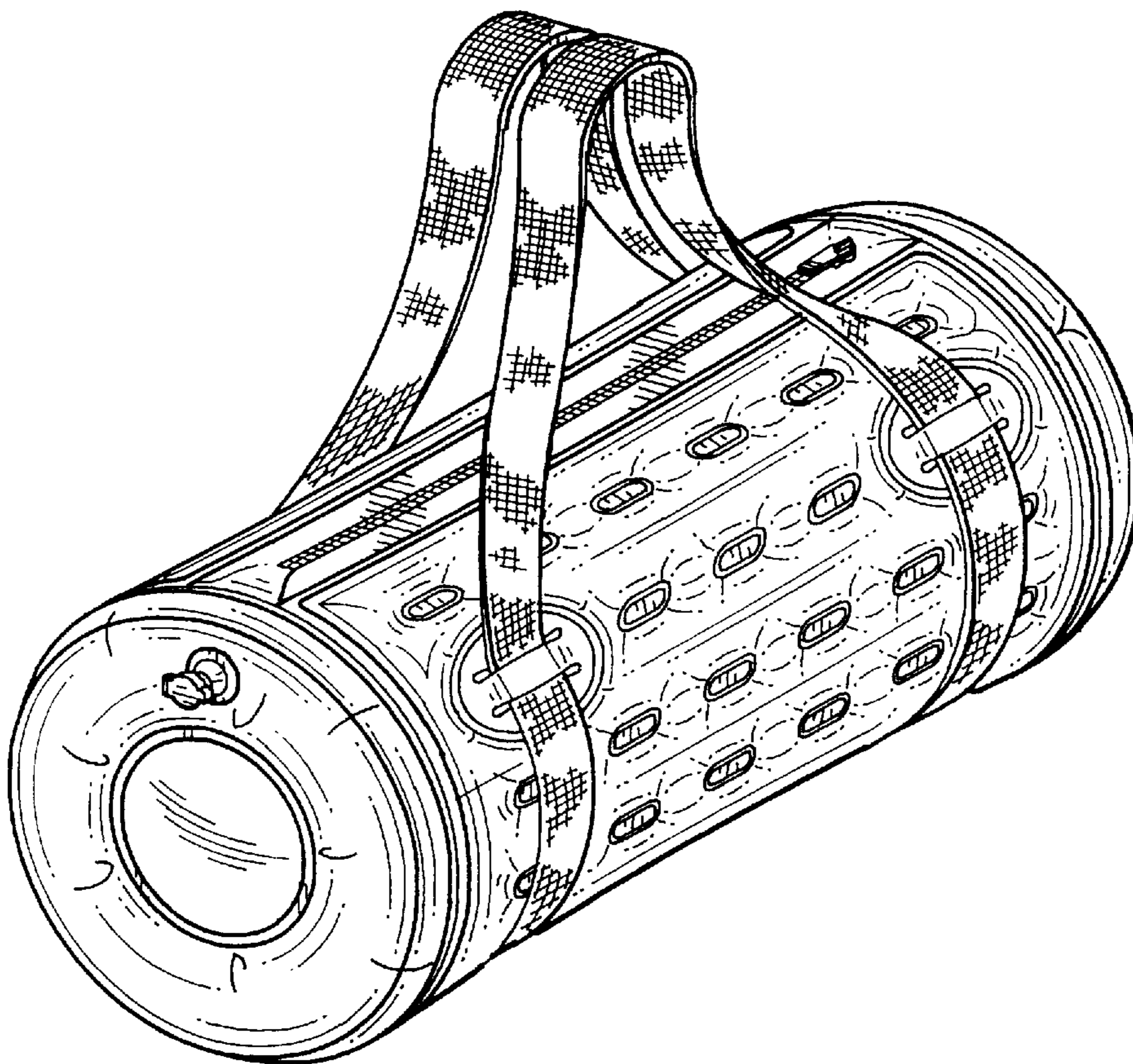
[57] **CLAIM**

The ornamental design for inflatable carry bag, as shown and described.

DESCRIPTION

FIG. 1 is a front isometric view of the inflatable carry bag showing my new design;
FIG. 2 is a left end elevational view thereof;
FIG. 3 is a front elevational view thereof;
FIG. 4 is a rear elevational view thereof;
FIG. 5 is a top elevational view thereof; and
FIG. 6 is a bottom elevational view thereof.

1 Claim, 2 Drawing Sheets



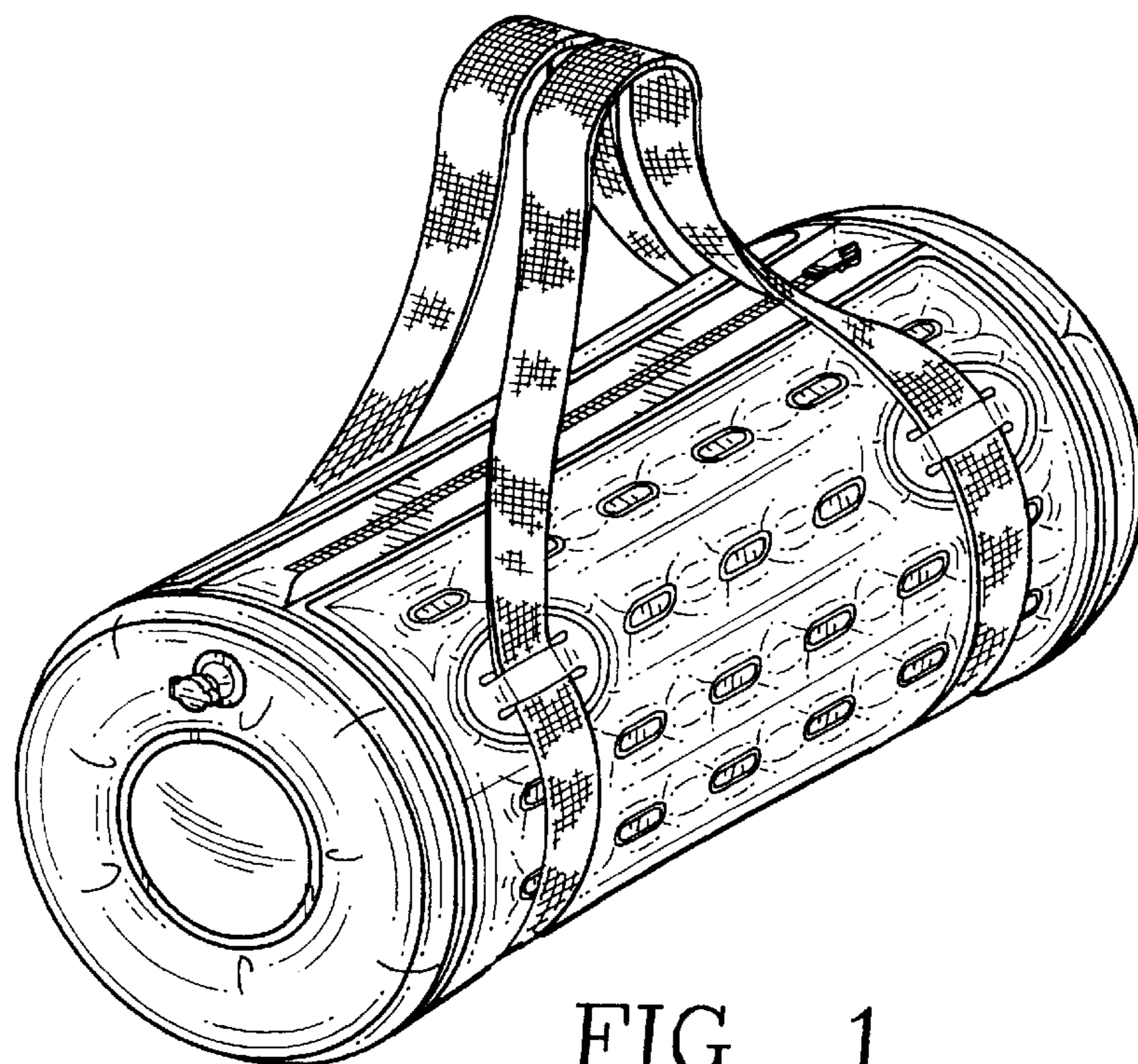


FIG. 1

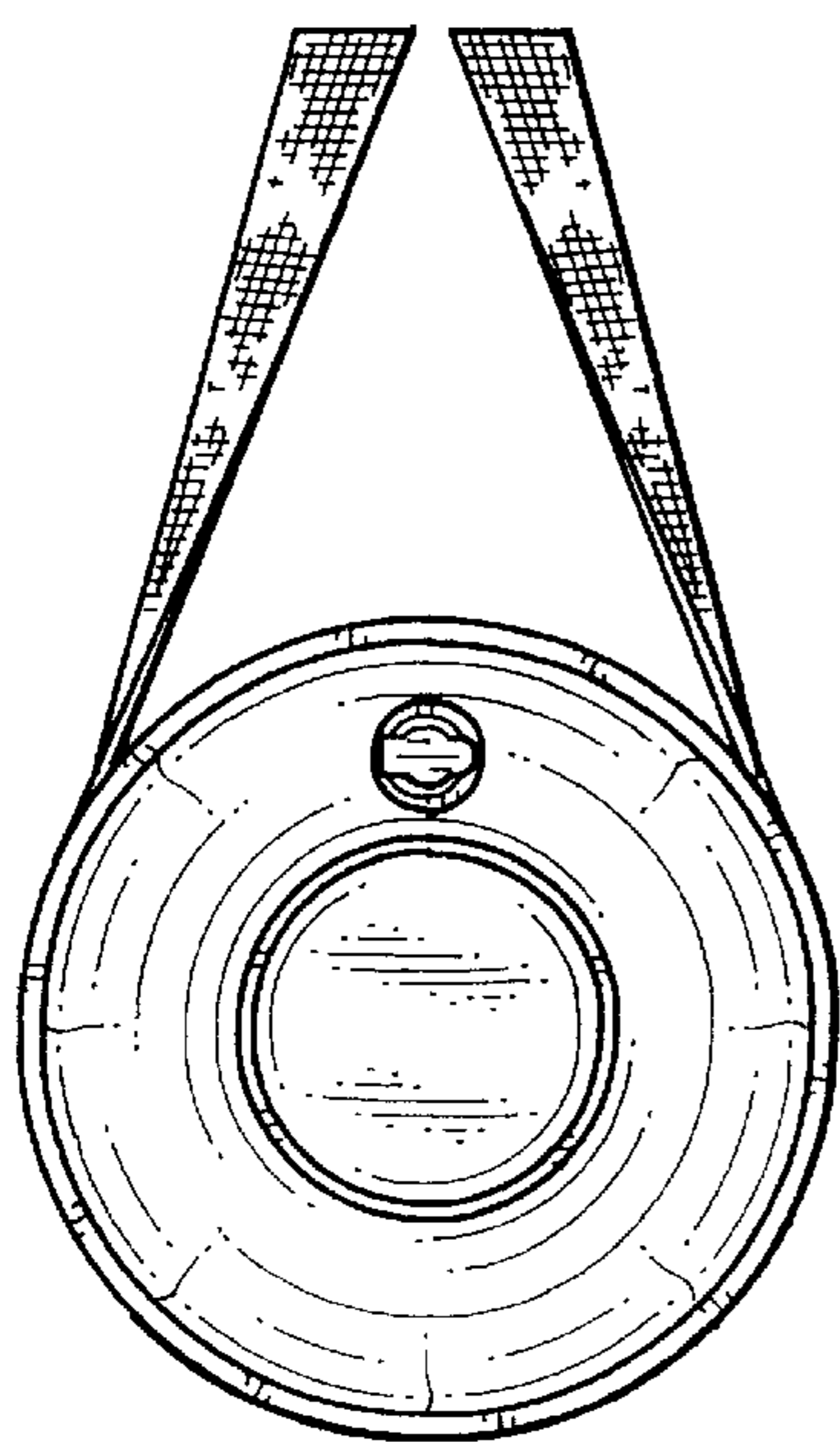


FIG. 2

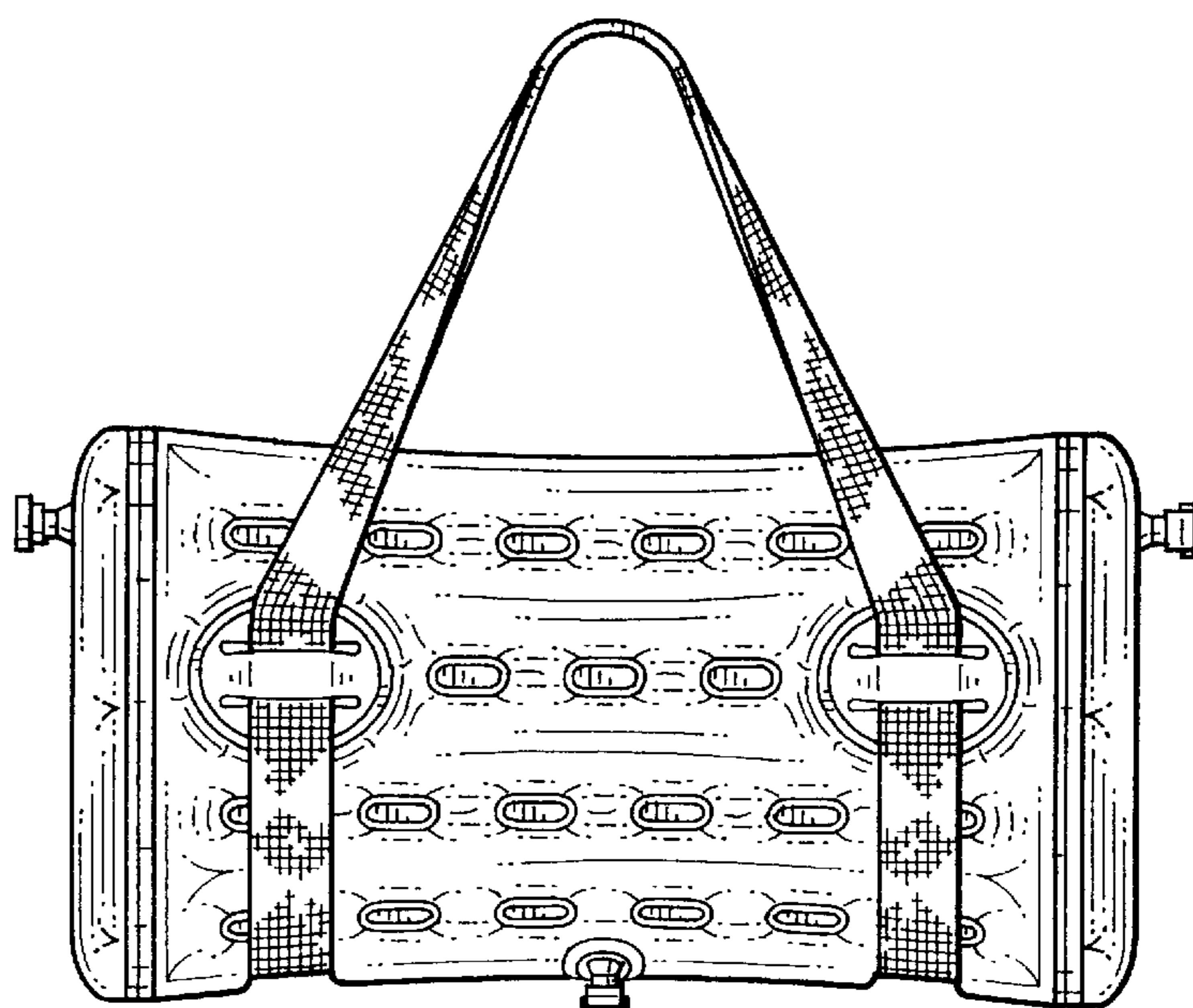


FIG. 3

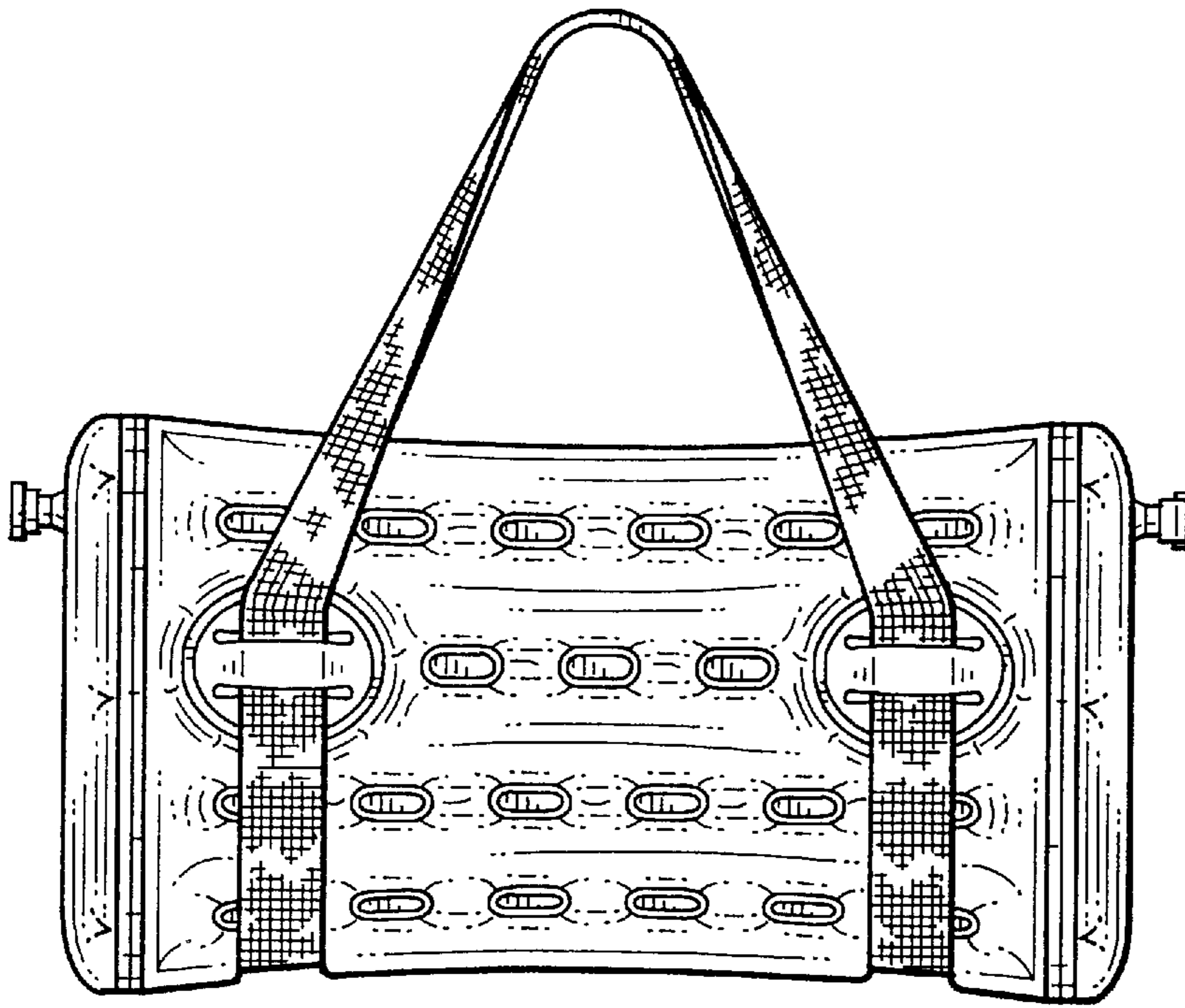


FIG. 4

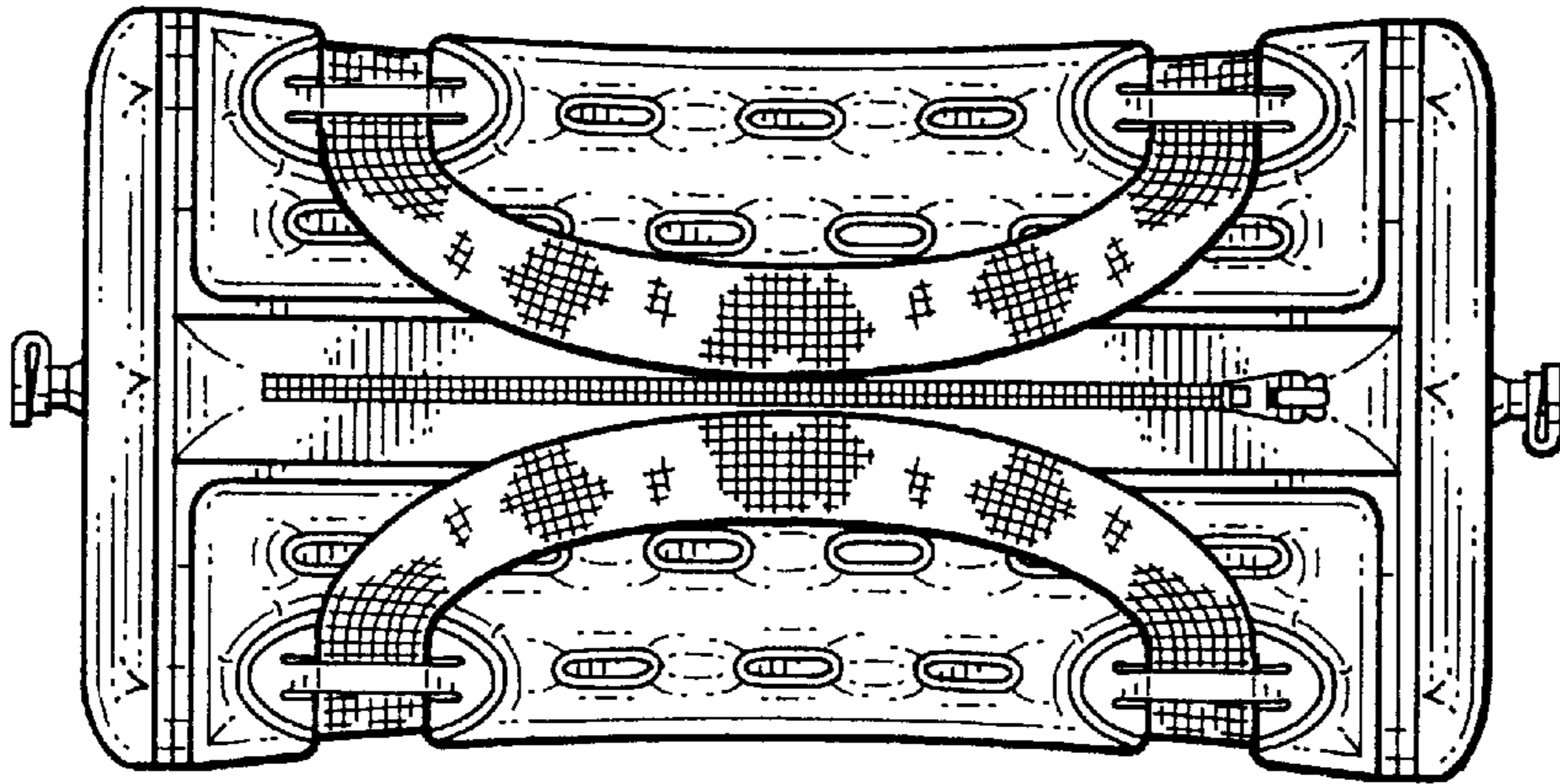


FIG. 5

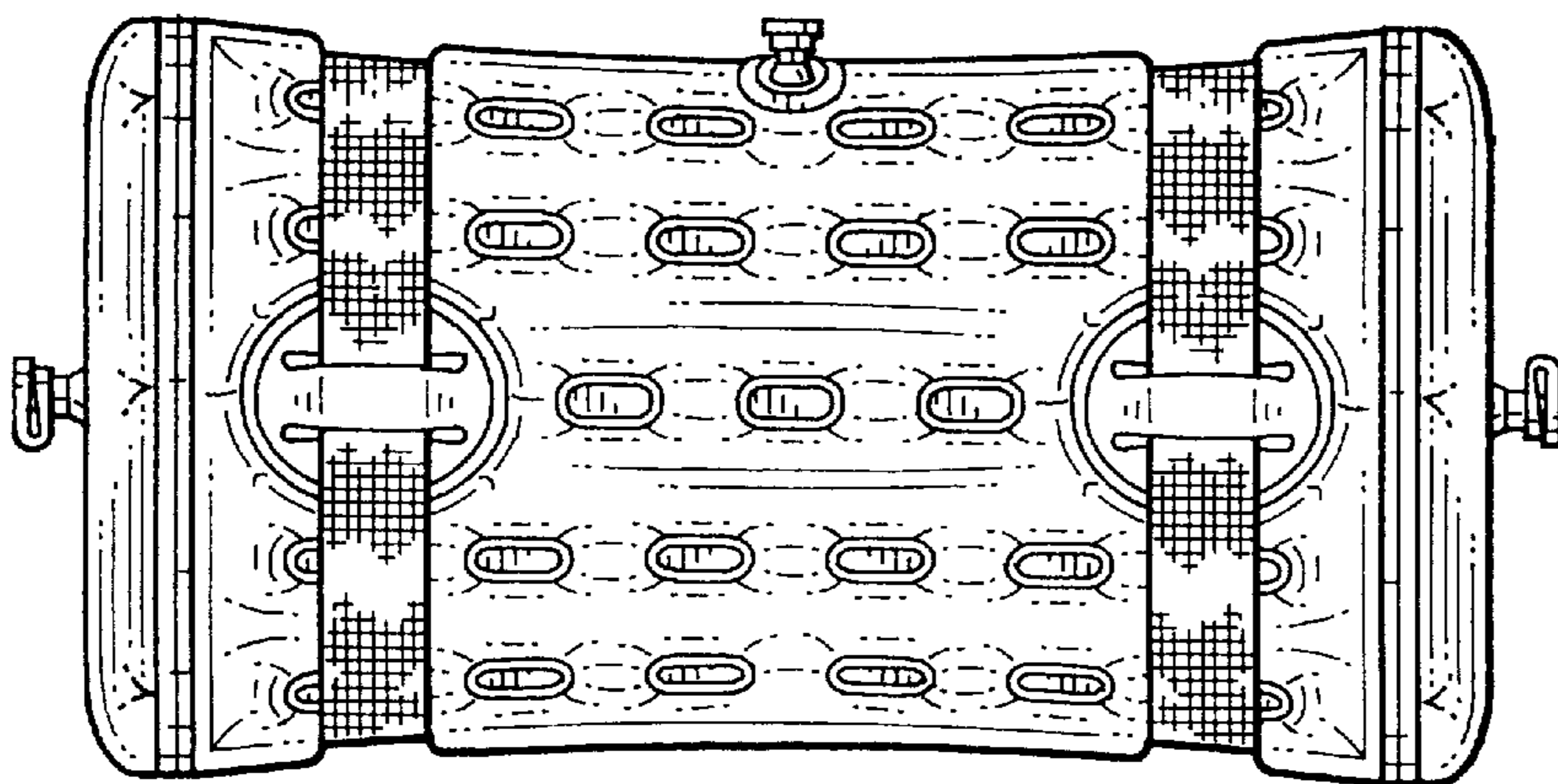


FIG. 6