



US00D402808S

United States Patent [19]
Deloach

[11] **Patent Number: Des. 402,808**

[45] **Date of Patent: **Dec. 22, 1998**

[54] **CAP PROTECTOR AND DISPLAY DEVICE**

Attorney, Agent, or Firm—Gregory J. Nelson

[76] Inventor: **Steven G. Deloach**, 5525 N.
Camelback Canyon Dr., Phoenix, Ariz.
85018

[57] **CLAIM**

I claim the ornamental design for a cap protector and display device, as shown and described.

[**] Term: **14 Years**

DESCRIPTION

[21] Appl. No.: **76,868**

FIG. 1 is a perspective view of a cap protector and display device, showing my new design in an open position;

[22] Filed: **Sep. 23, 1997**

FIG. 2 is a right side elevational view of the cap protector and display device in an open position, wherein the right side view is a mirror image thereof;

[51] **LOC (6) Cl.** **03-01**

[52] **U.S. Cl.** **D3/269**

[58] **Field of Search** D3/269, 270, 271,
D3/294, 273; D9/420; 206/8, 9

FIG. 3 is a front view of the cap protector and display device of my design in an open position;

FIG. 4 is a rear view of the cap protector and display device in an open position;

[56] **References Cited**

U.S. PATENT DOCUMENTS

D. 161,844	2/1951	Kreuter et al.	D3/269
5,022,515	6/1991	Agostine	206/8
5,074,410	12/1991	Fries et al.	206/8
5,480,023	1/1996	Puller	206/8

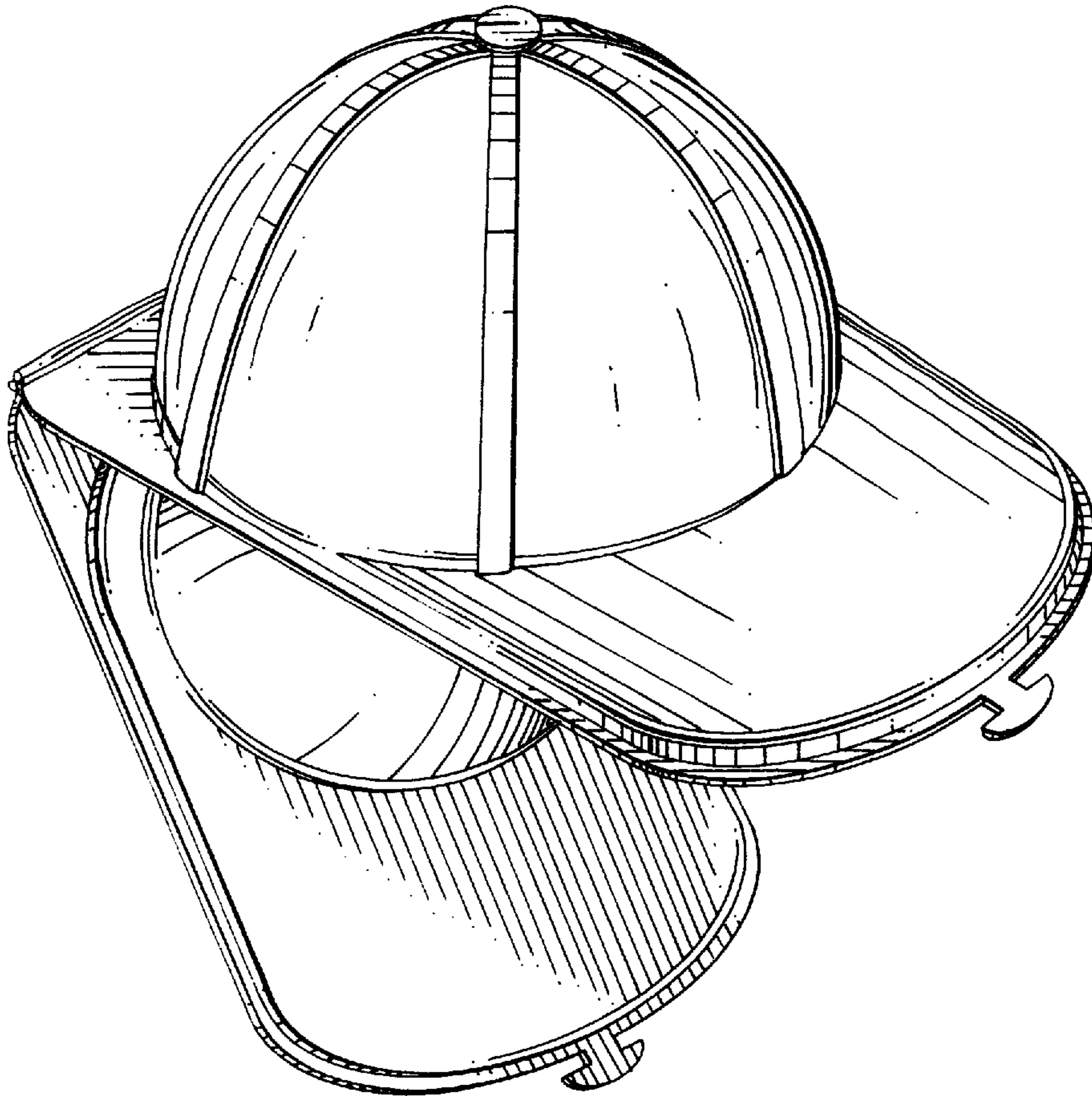
FIG. 5 is a top view thereof;

FIG. 6 is a bottom view of the cap protector and display device in an open position; and,

FIG. 7 is a perspective view of the cap protector and display device in a closed position with the device oriented in a vertical display position.

Primary Examiner—Philip S. Hyder

1 Claim, 2 Drawing Sheets



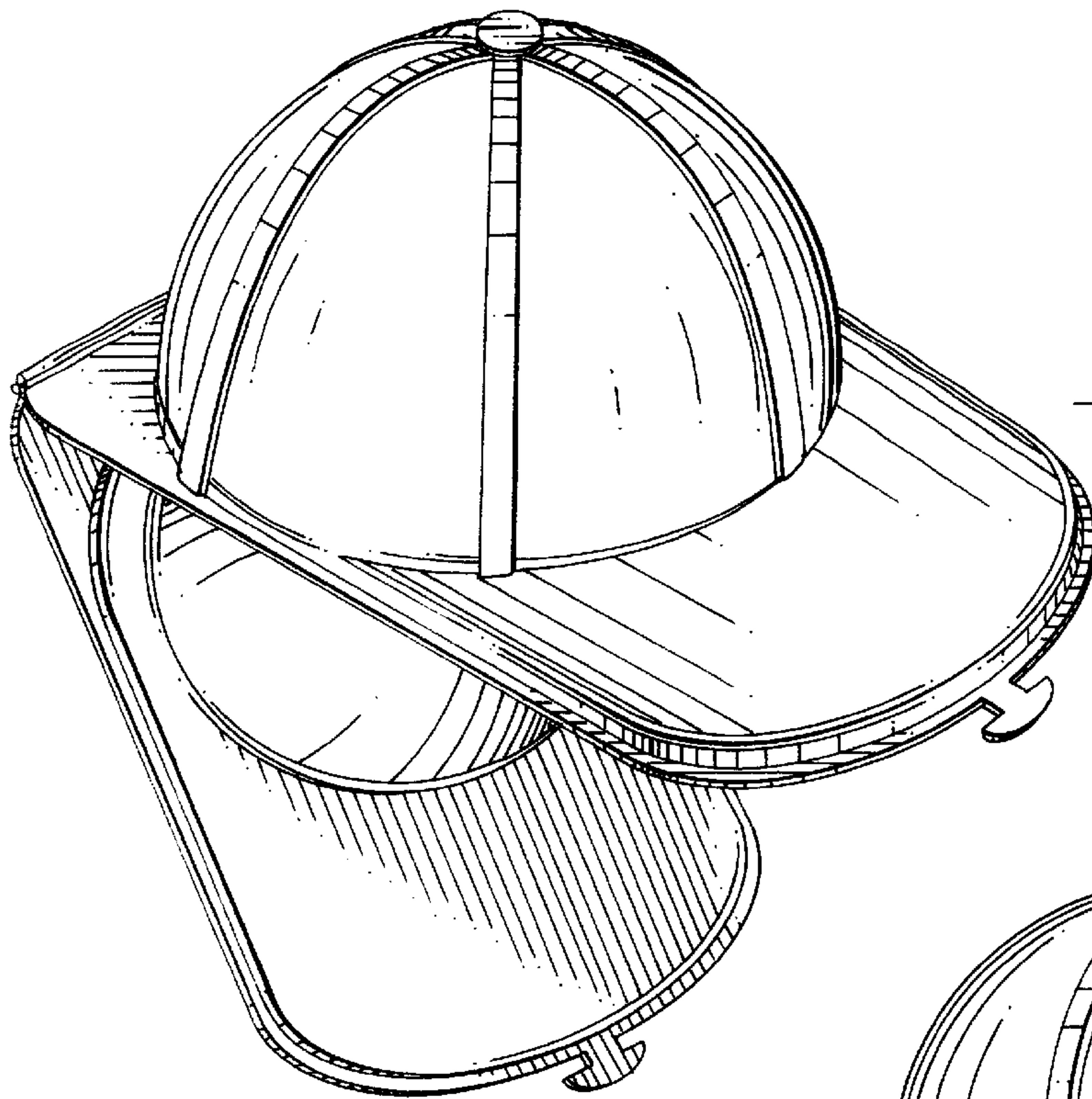


FIG. 1

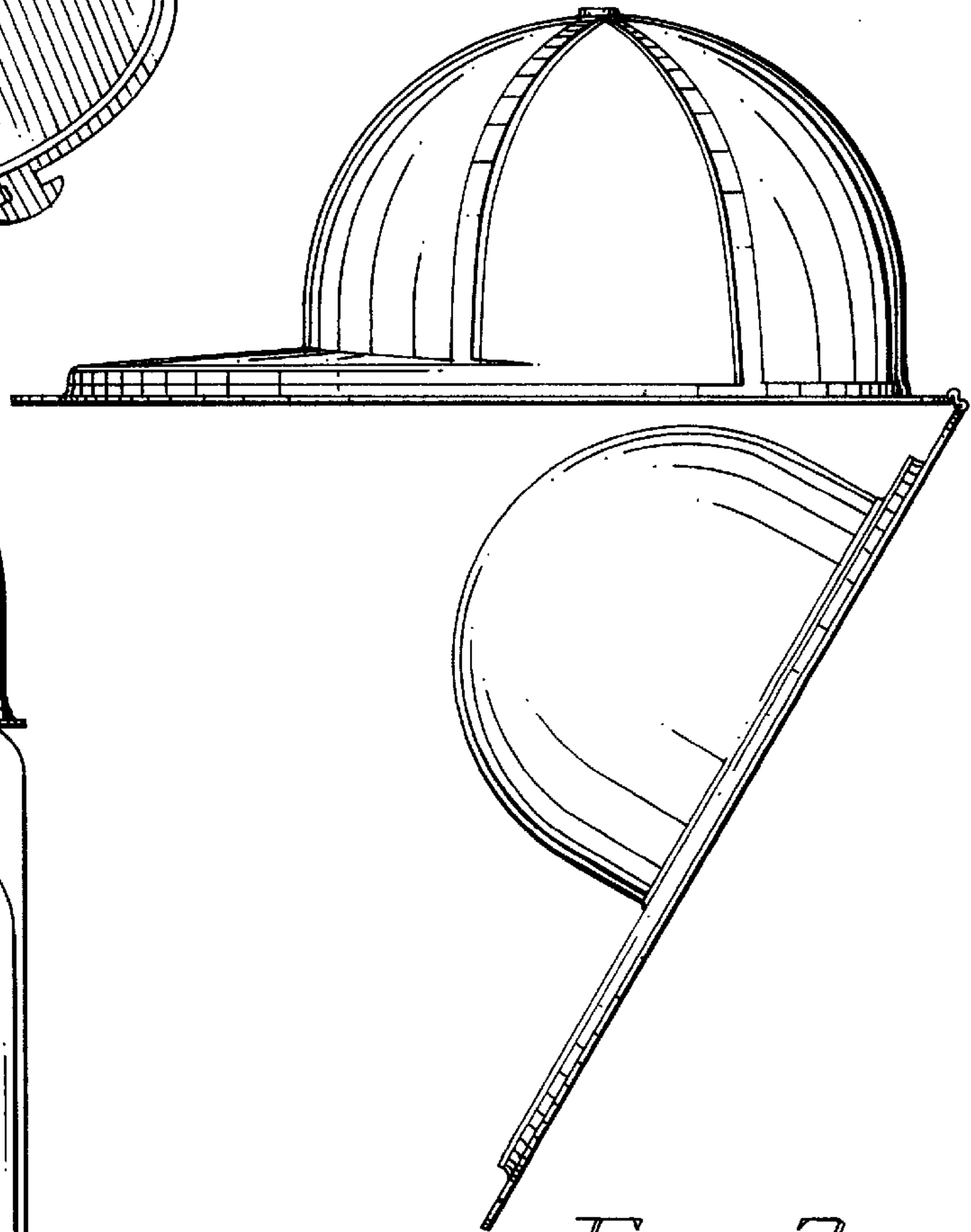


FIG. 2

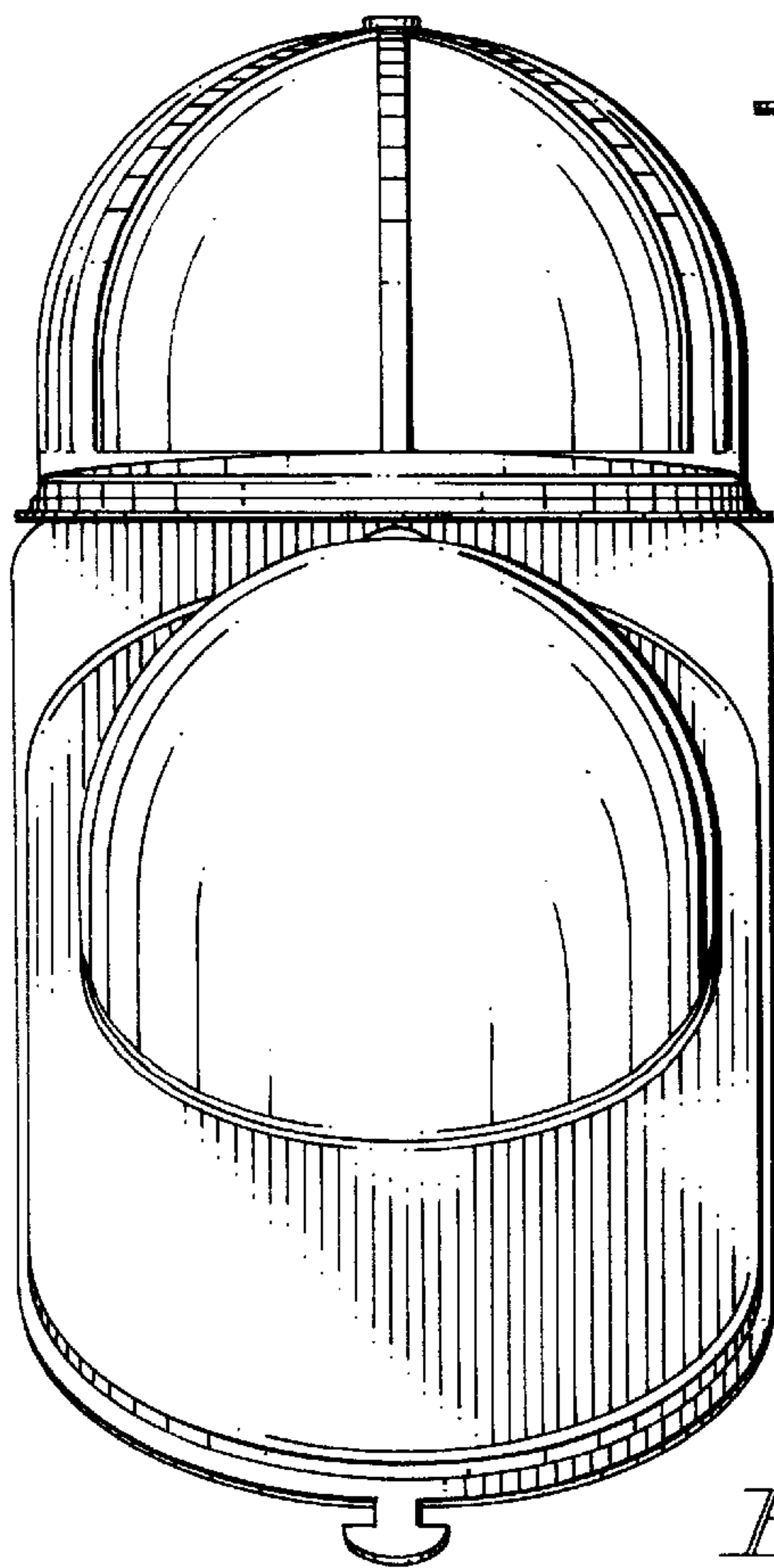


FIG. 3

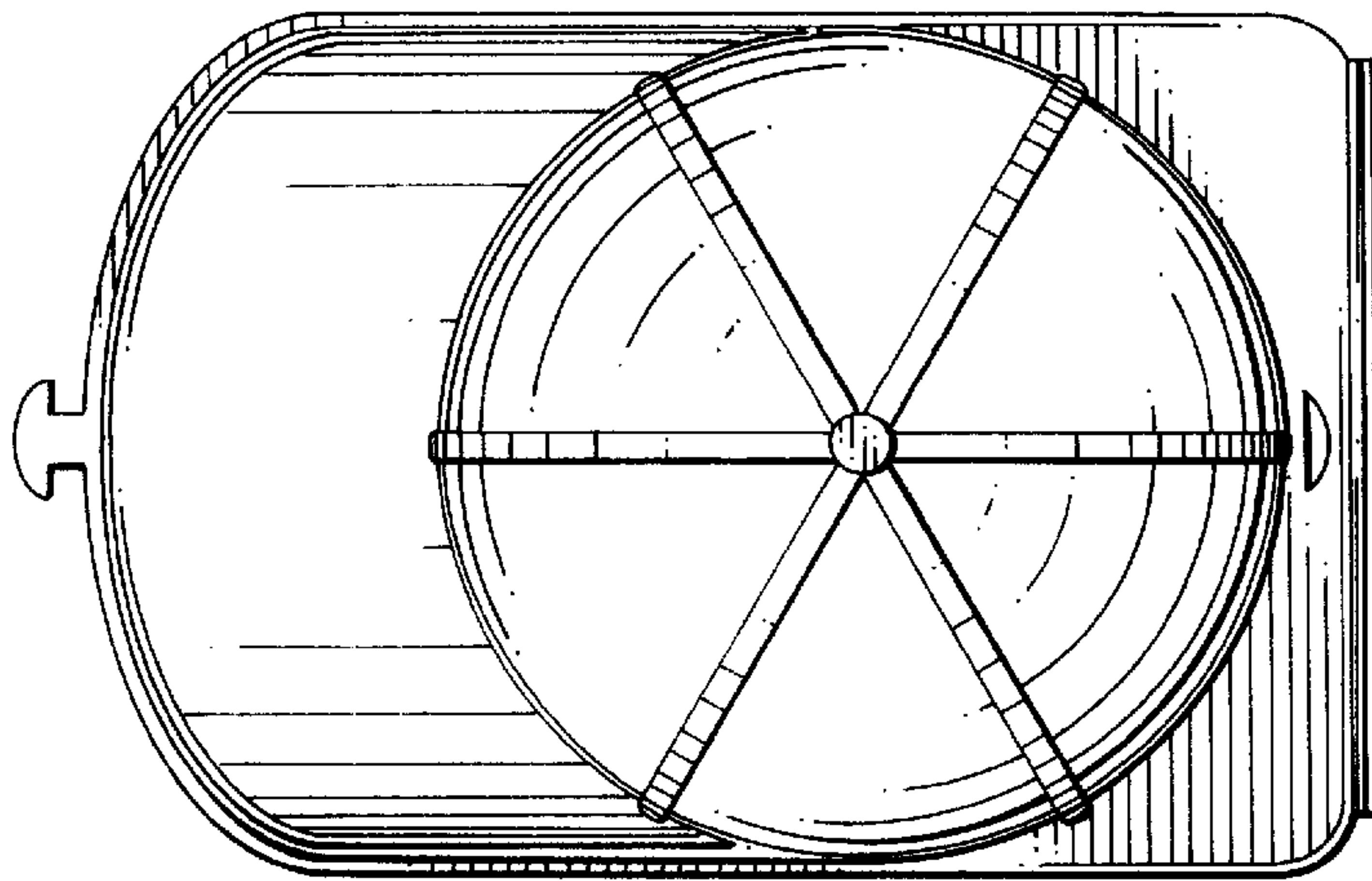


FIG. 5

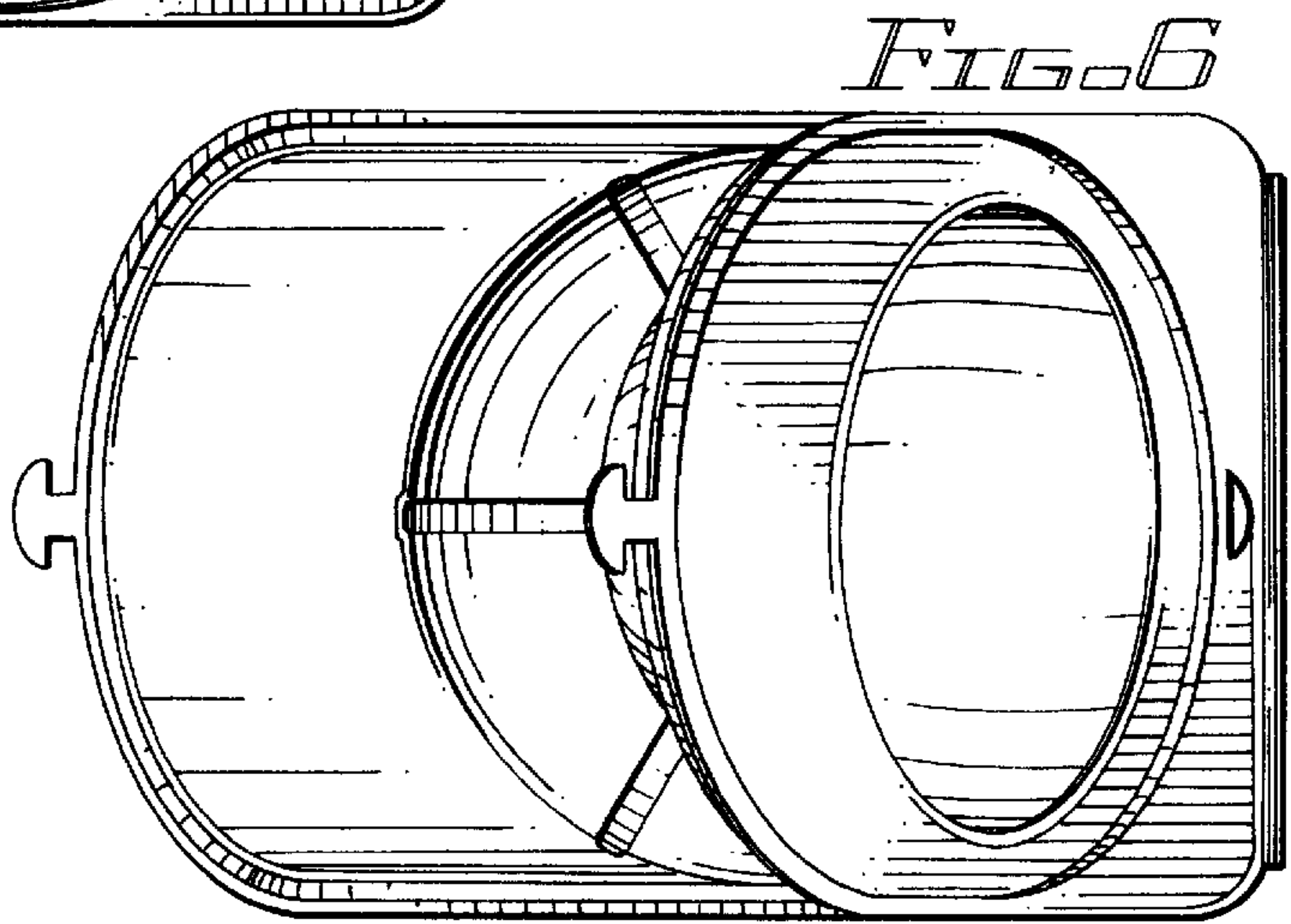


FIG. 6

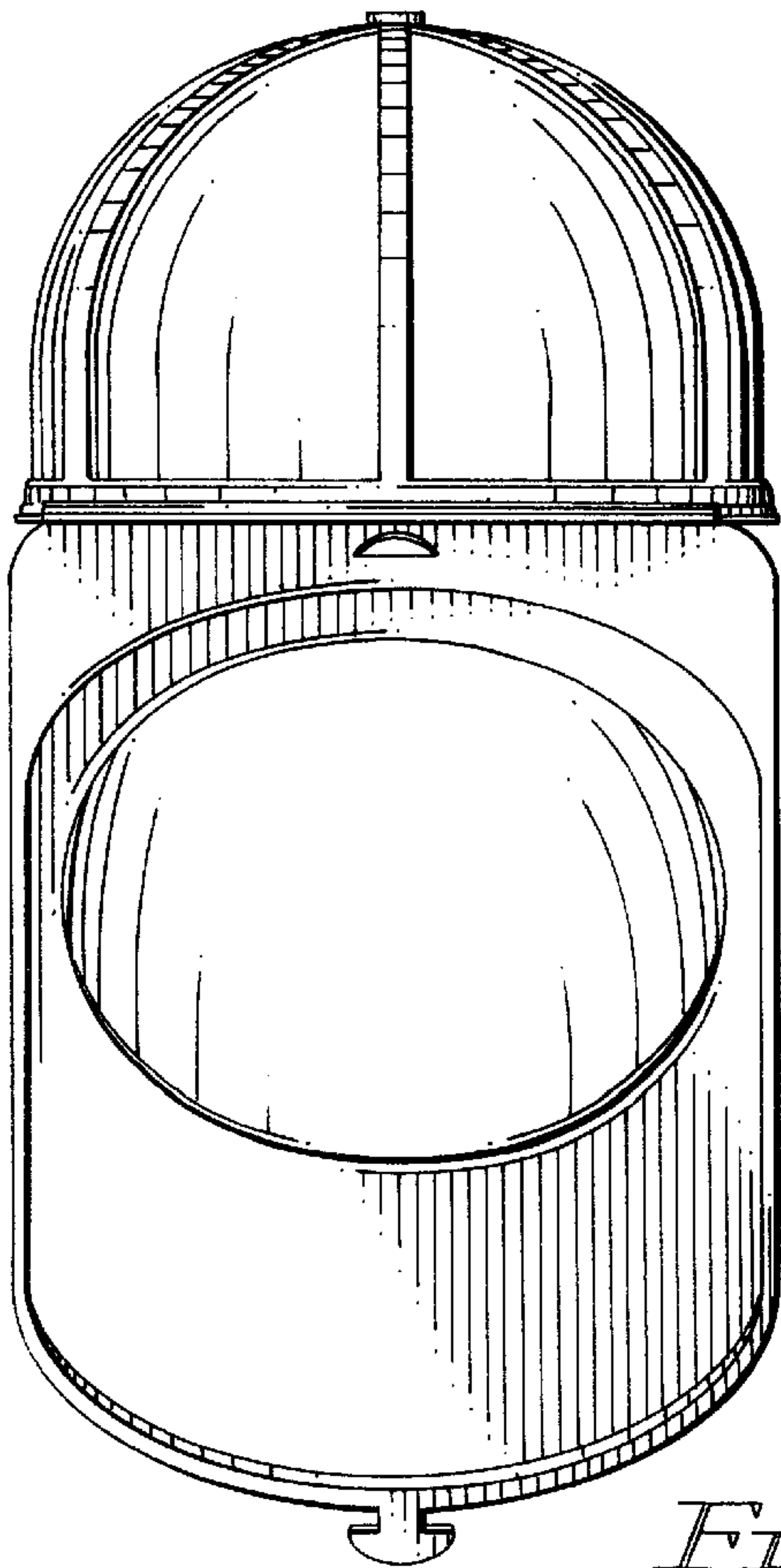


FIG. 4

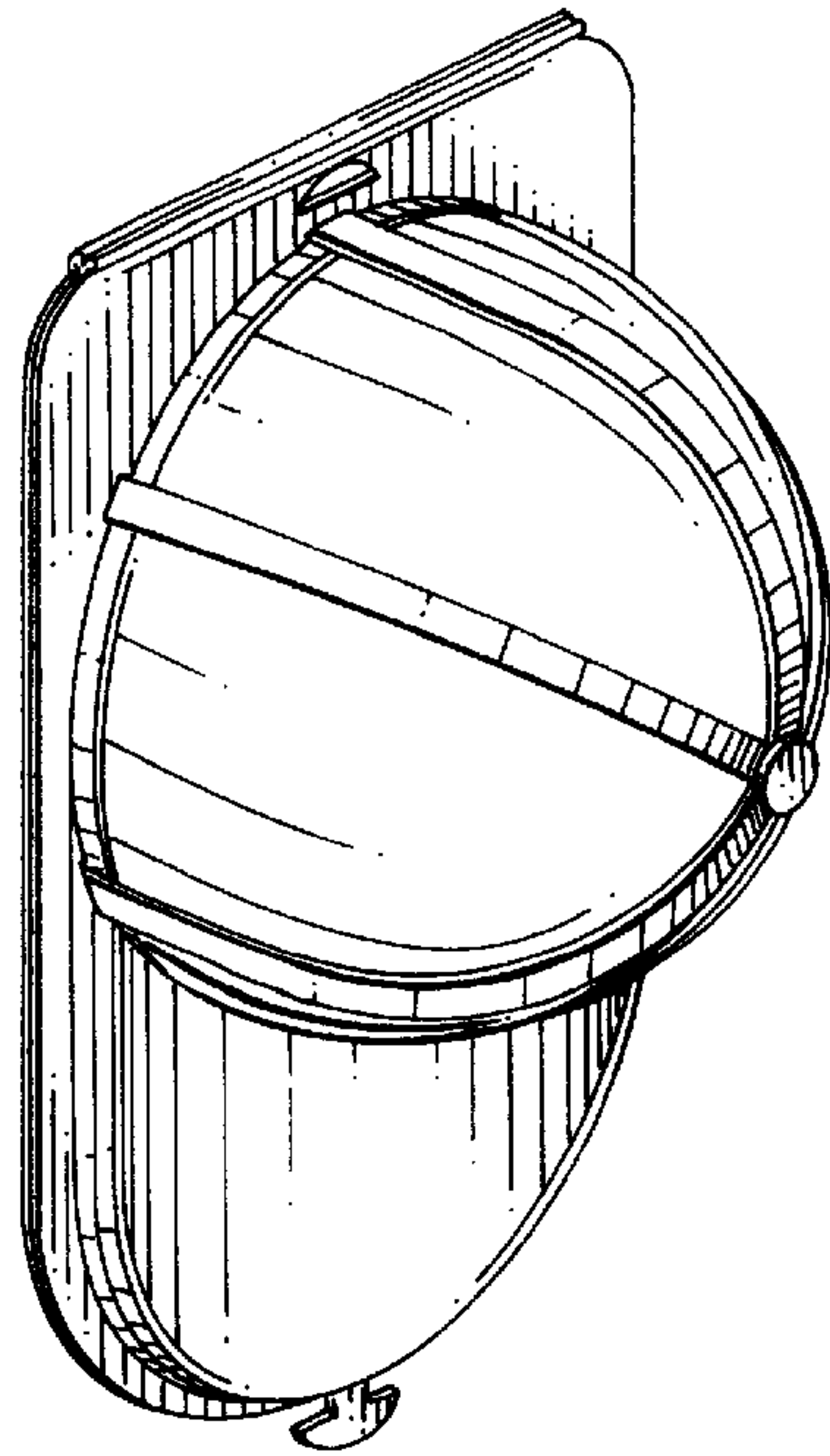


FIG. 7