



US00D402797S

United States Patent [19]
Kracke

[11] **Patent Number: Des. 402,797**

[45] **Date of Patent: **Dec. 22, 1998**

[54] **SOLE FOR A TENNIS SHOE**

[76] Inventor: **Donald R. Kracke**, 39 Cresta Verde Dr., Rolling Hills Estates, Calif. 90274

[**] Term: **14 Years**

[21] Appl. No.: **80,364**

[22] Filed: **Dec. 3, 1997**

[51] **LOC (6) Cl. 02-04**

[52] **U.S. Cl. D2/948; D2/952**

[58] **Field of Search** D2/897, 902, 906, D2/908, 914, 916, 919, 946-960, 962, 964; D12/147; 36/85, 101, 103, 104, 106, 113-115, 124, 126, 127-130, 3 B, 11.5, 12-15, 22 R, 25 R, 30 R, 32 R, 32 A, 33, 172

[56] **References Cited**

U.S. PATENT DOCUMENTS

D. 158,520	5/1950	Scoville, Jr.	D2/948
D. 263,347	3/1982	Shanks et al.	D2/952
D. 375,613	11/1996	Humphrey	D2/897
4,333,249	6/1982	Schaefer	36/115
4,442,614	4/1984	Farberov	36/103

Primary Examiner—Celia Murphy
Attorney, Agent, or Firm—Kelly Bauersfeld Lowry & Kelley, LLP

[57] **CLAIM**

The ornamental design for a sole for a tennis shoe, as shown and described.

DESCRIPTION

FIG. 1 is a perspective view of a sole for a tennis shoe showing my new design, the broken lines showing a tennis shoe upper being for illustrative purposes only and forming no part of the claimed design;

FIG. 2 is a right side elevational view thereof;

FIG. 3 left side elevational view thereof;

FIG. 4 is a front elevational view thereof;

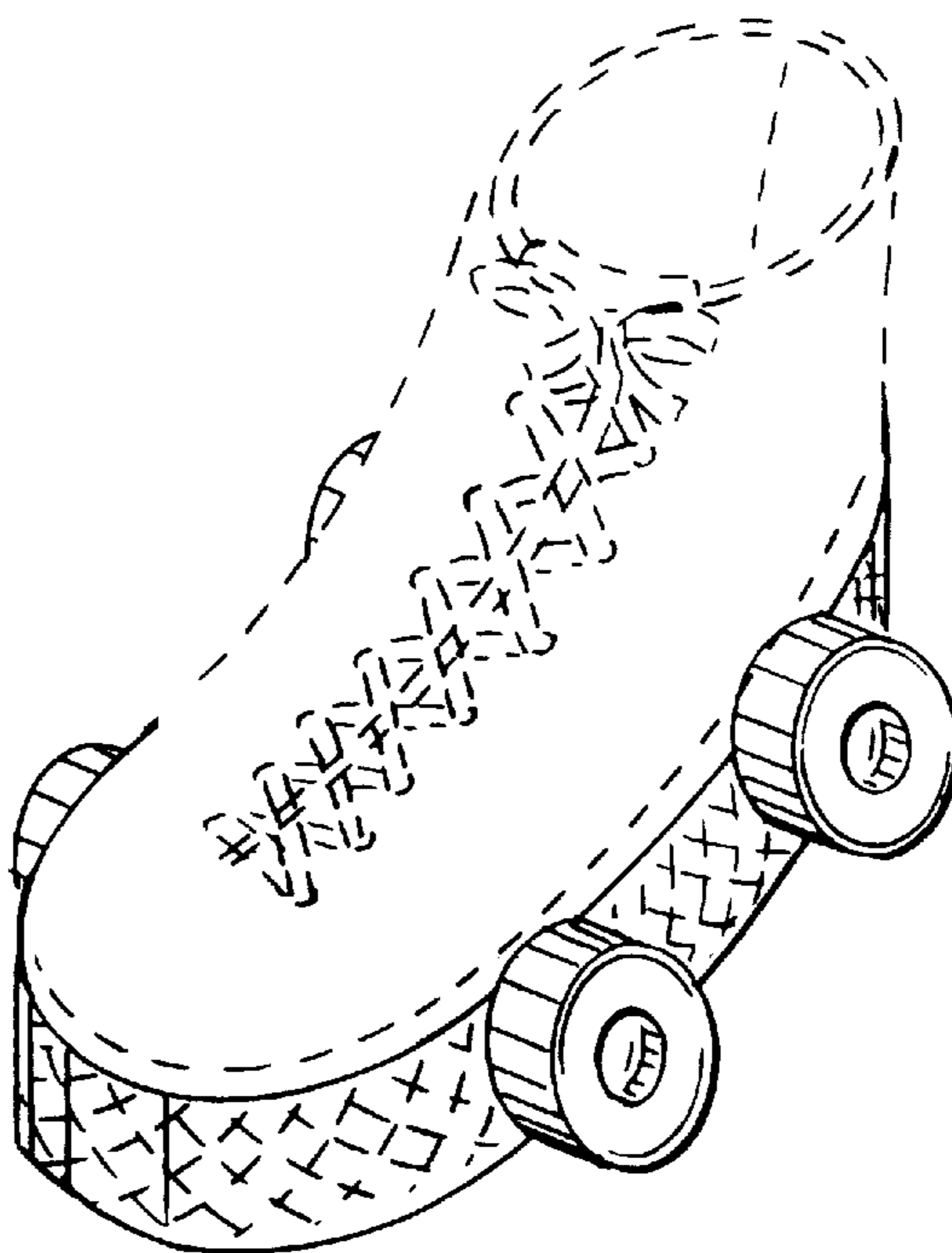
FIG. 5 is a rear elevational view thereof;

FIG. 6 is a top plan view thereof; and,

FIG. 7 is a bottom plan view thereof.

The upper surface of the invention understood to be unclaimed subject matter, and the broken lines around the periphery of the surface pattern in FIG. 7 is understood to represent a portion of the surface pattern.

1 Claim, 1 Drawing Sheet



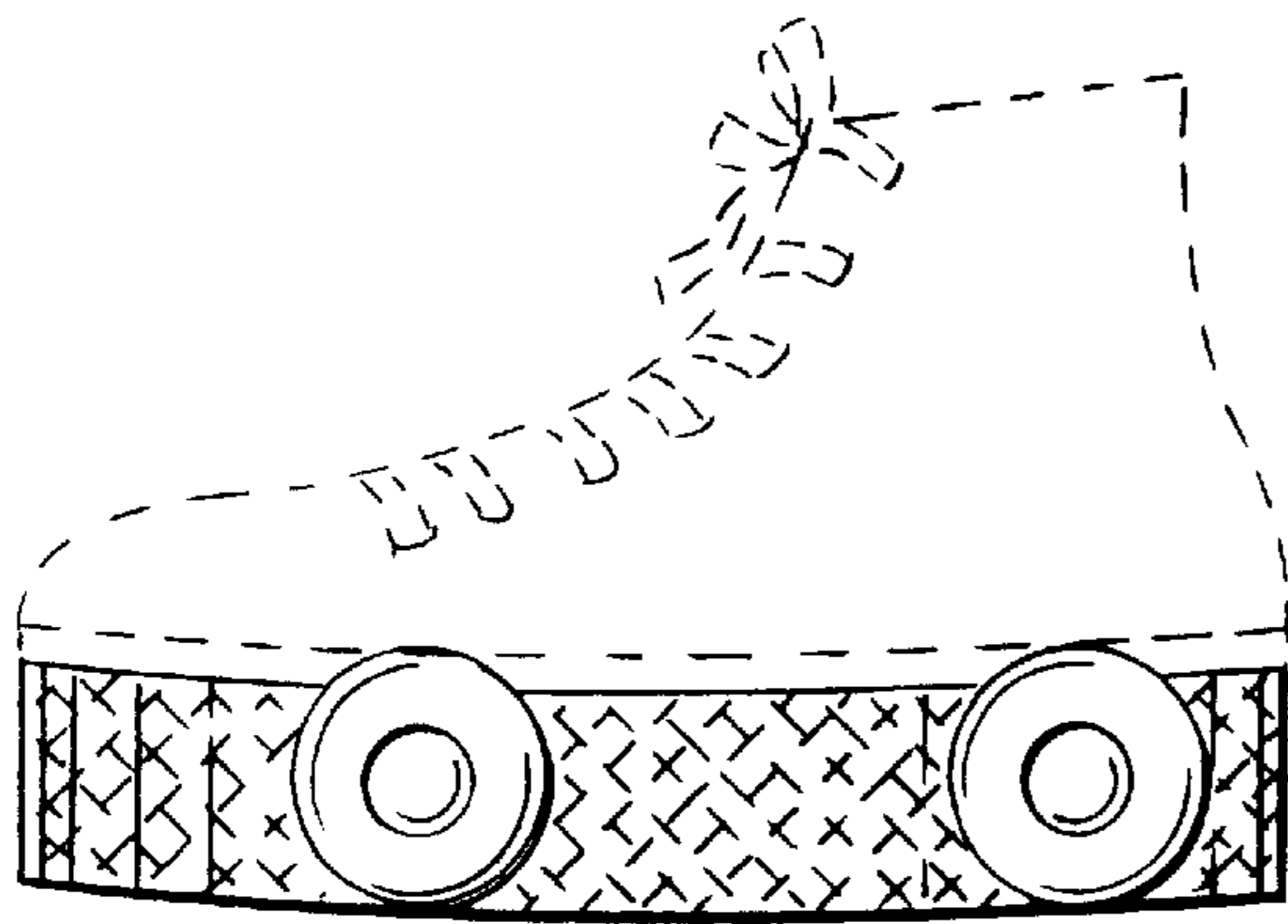


FIG. 2

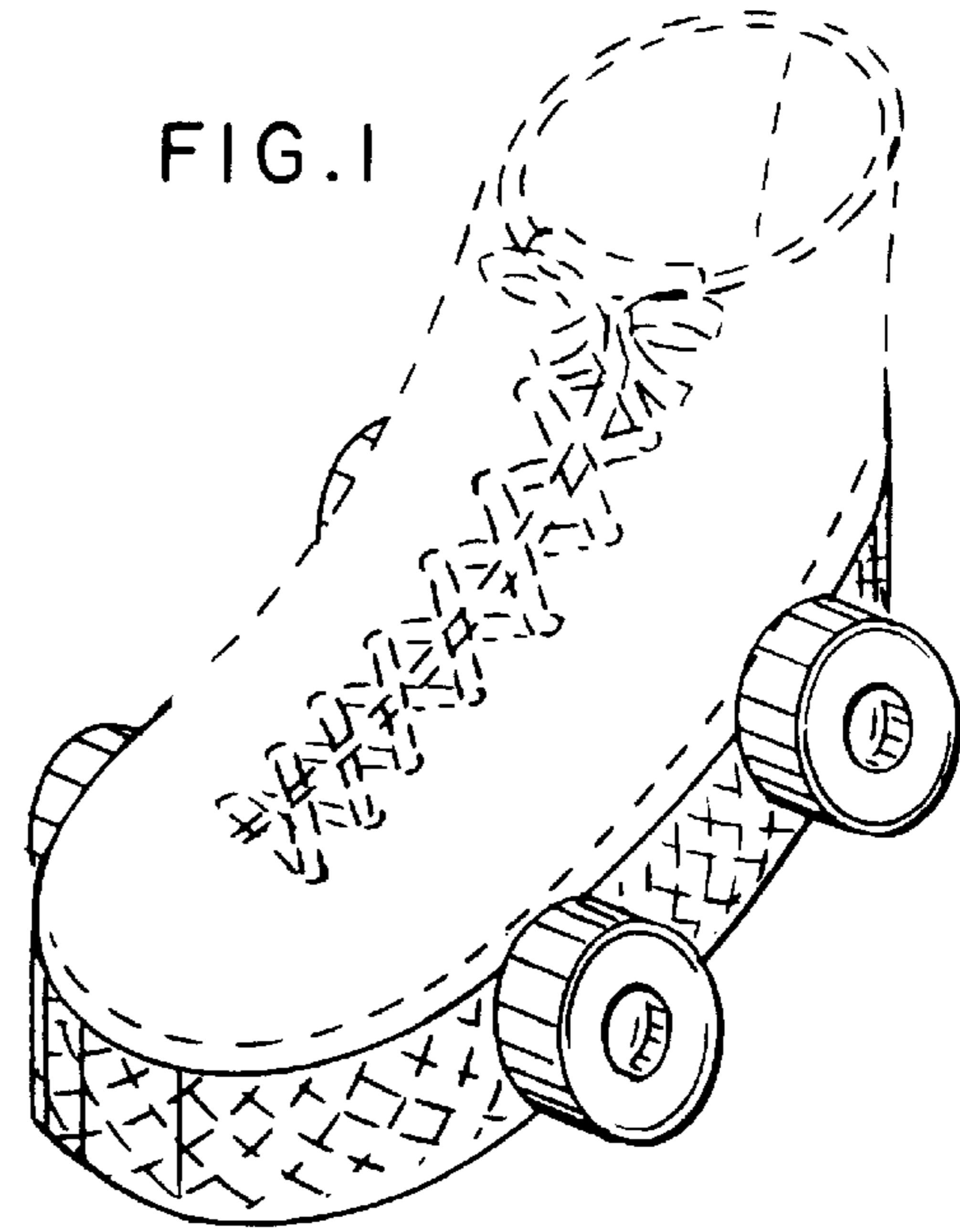


FIG. 1

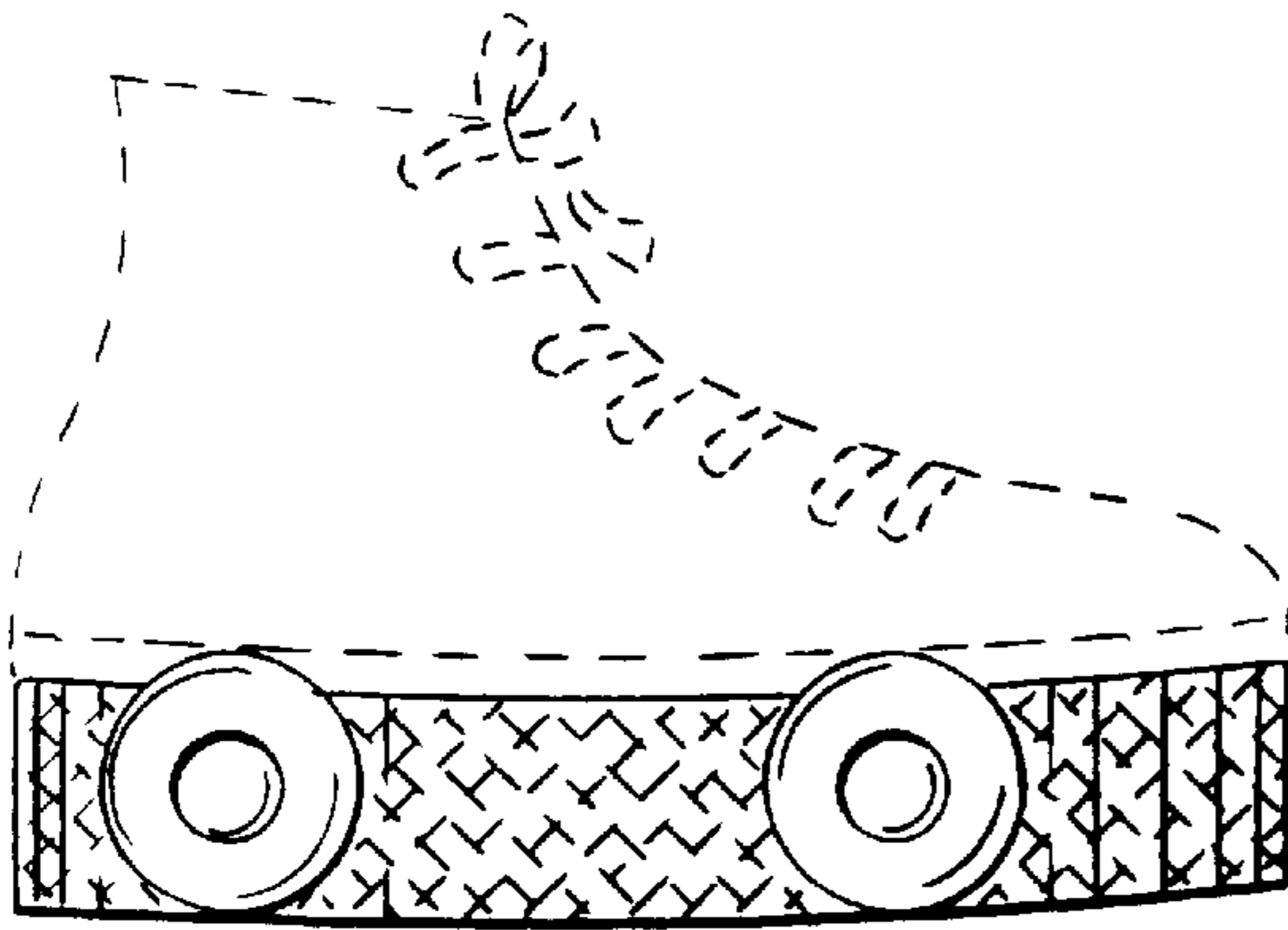


FIG. 3

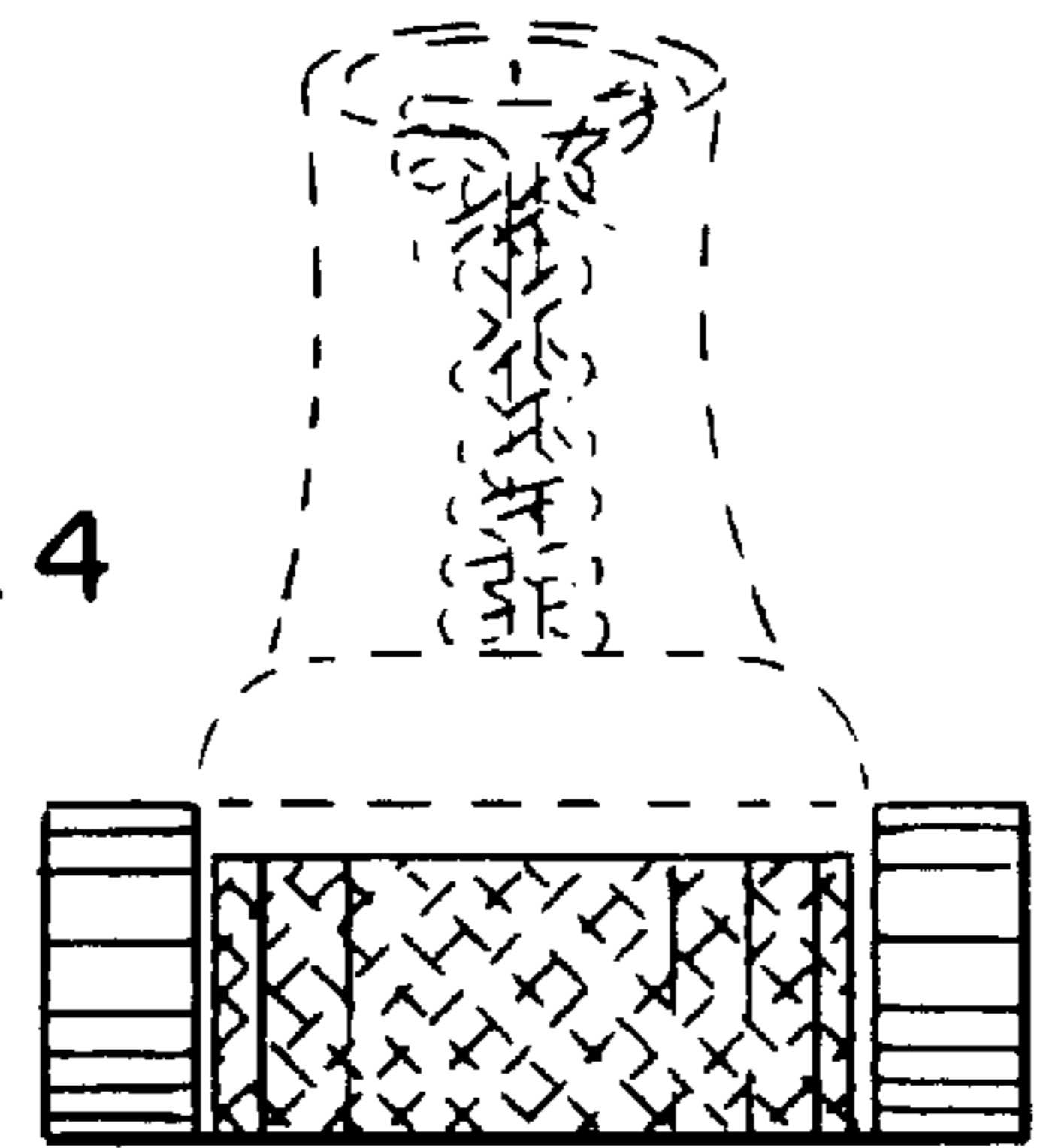


FIG. 4

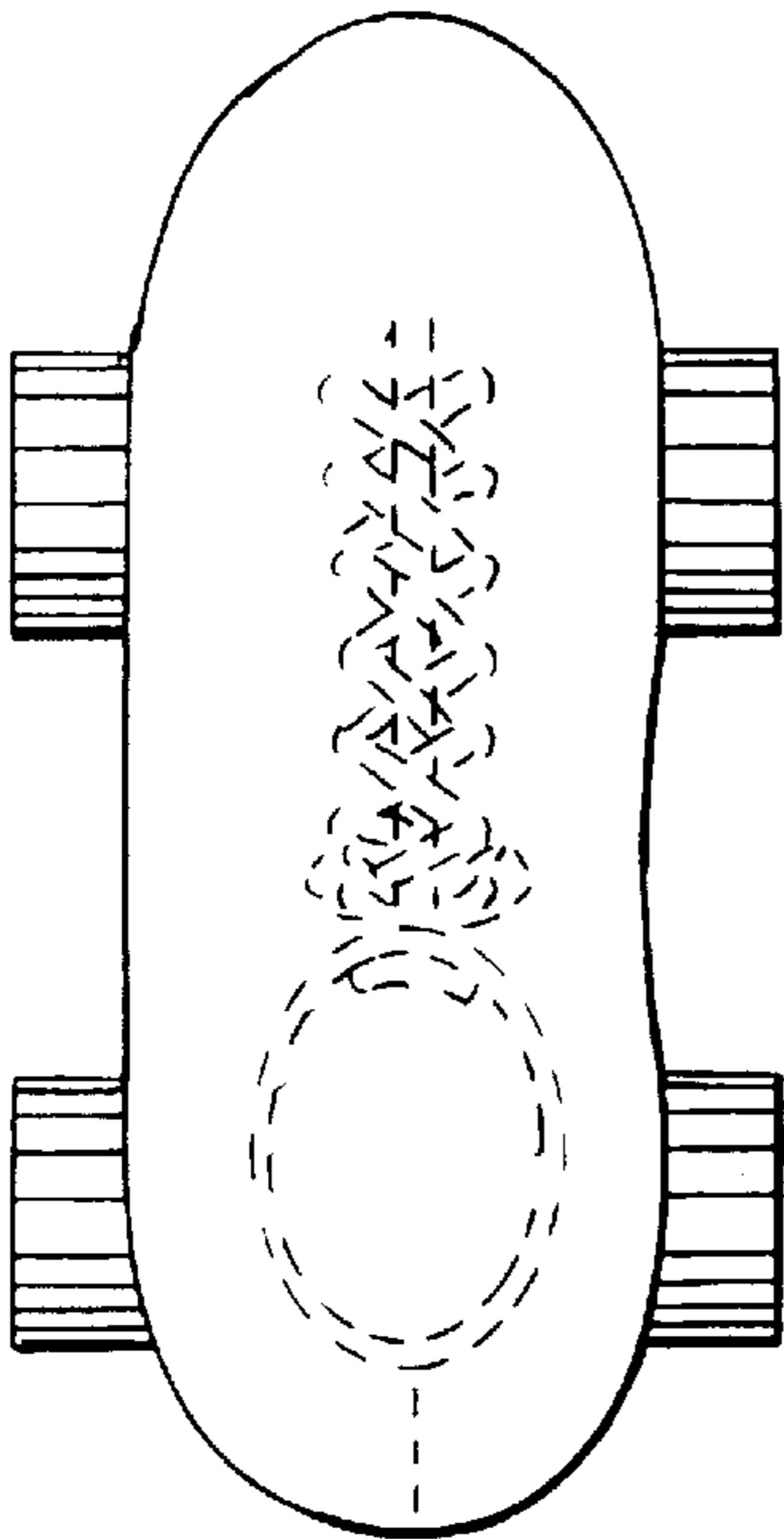


FIG. 6

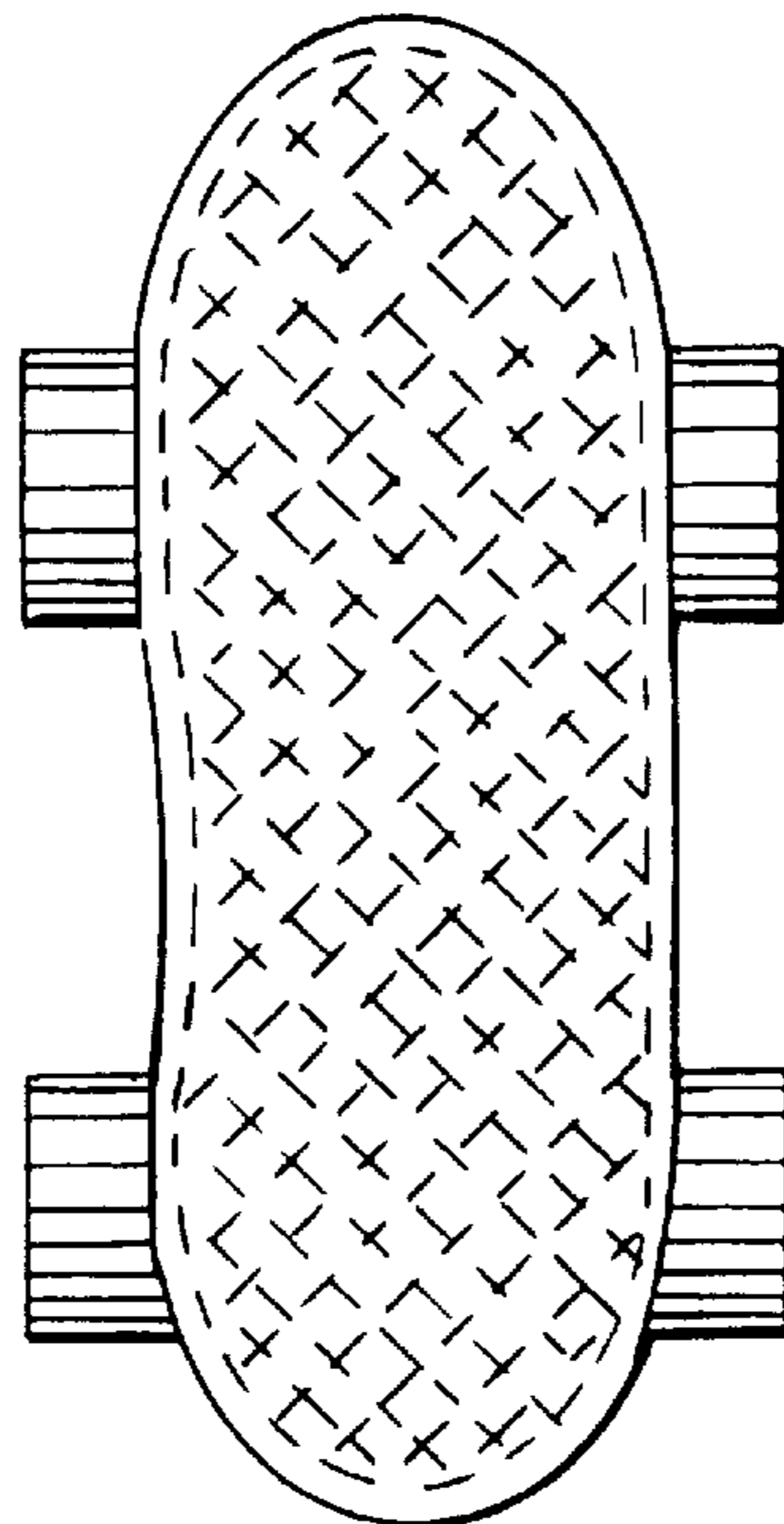


FIG. 7

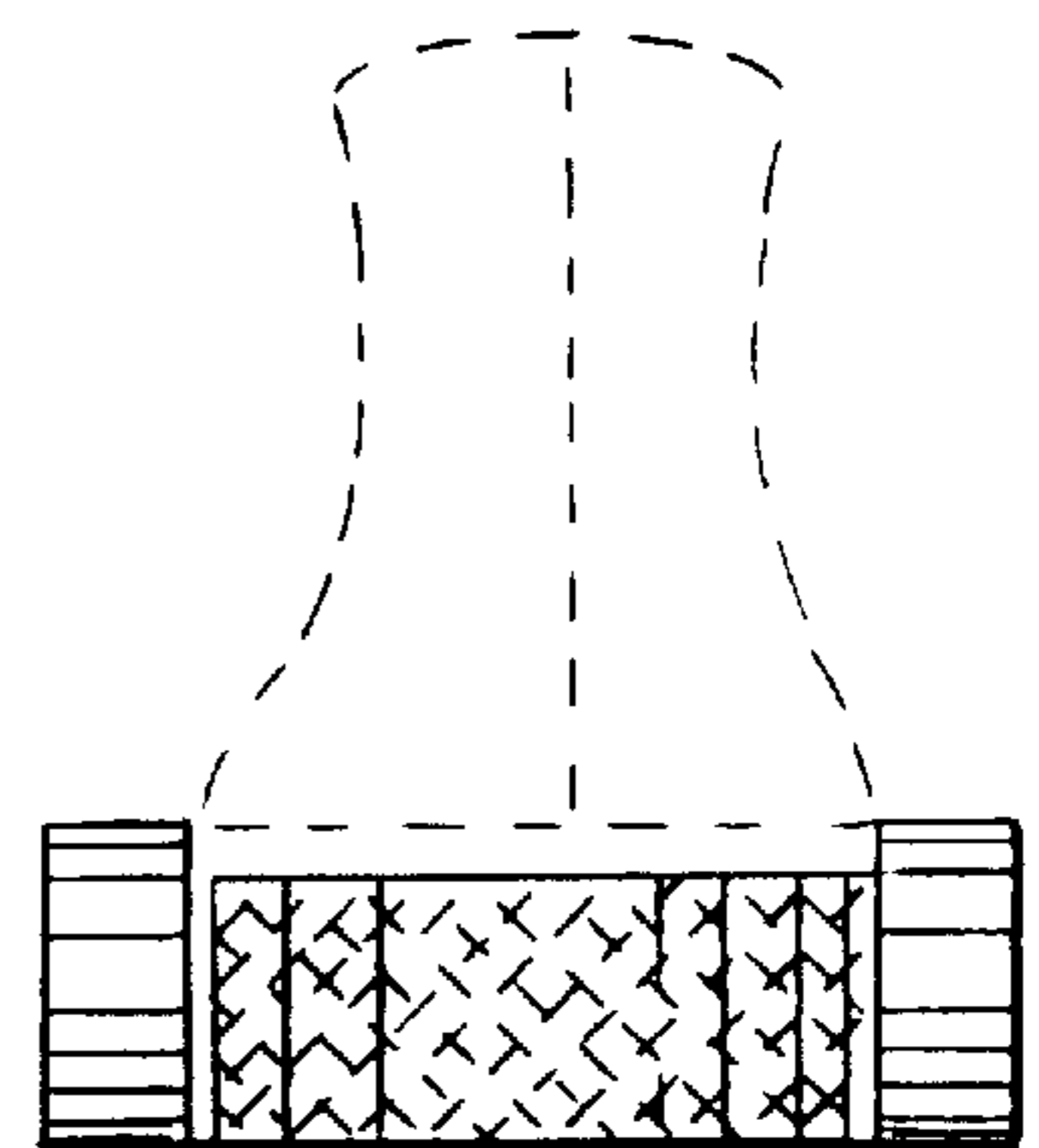


FIG. 5