



US00D402781S

United States Patent [19]

[11] Patent Number: Des. 402,781

Helmetsie et al.

[45] Date of Patent: **Dec. 15, 1998

[54] **FRAMEWORK FOR A MODULAR CONVEYOR SYSTEM**

[75] Inventors: Eugene A. Helmetsie, Spencer, N.Y.; Carl A. Matson, Warren Center, Pa.; Richard H. Lowe, Johnson City, N.Y.

[73] Assignee: Hi-Speed Checkweigher Co., Inc., Ithaca, N.Y.

[**] Term: 14 Years

[21] Appl. No.: 69,465

[22] Filed: Apr. 2, 1997

[51] LOC (6) Cl. 12-05

[52] U.S. Cl. D34/29

[58] Field of Search D34/28, 29; 198/823, 198/860.1, 861.1, 429, 430

[56] **References Cited**

U.S. PATENT DOCUMENTS

2,842,256	7/1958	Reed	198/823
4,146,126	3/1979	Mattos	198/862
4,723,647	2/1988	Norton et al.	198/430
4,789,056	12/1988	Bourbeau	198/823
5,350,053	9/1994	Archer	198/823

Primary Examiner—Alan P. Douglas
Assistant Examiner—Robin V. Taylor
Attorney, Agent, or Firm—Bean, Kauffmann & Snyder

[57] **CLAIM**

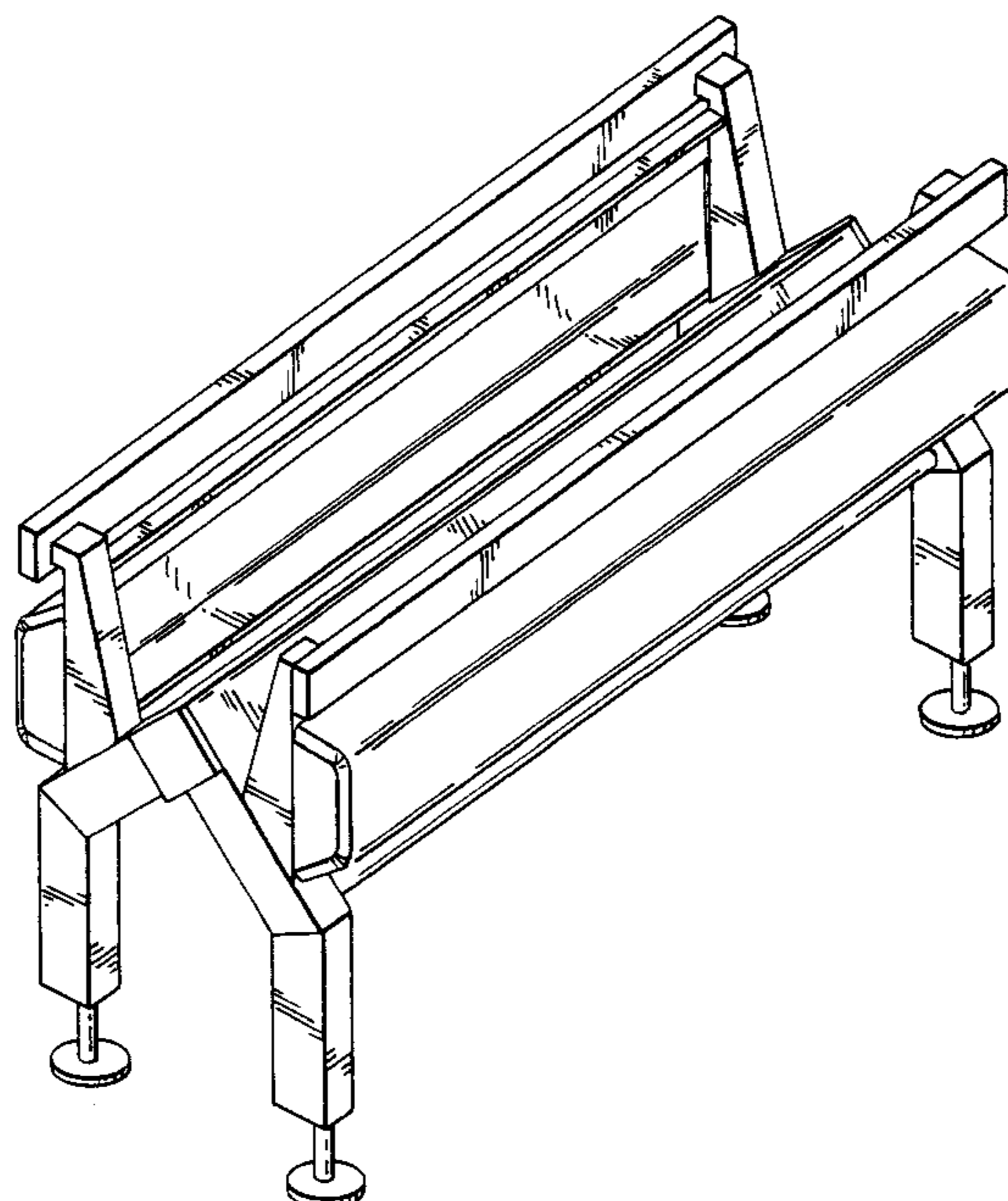
The ornamental design for a framework for a modular conveyor system, as shown.

DESCRIPTION

FIG. 1 is a front perspective view of a framework for a modular conveyor system showing our new design;

FIG. 2 is a rear perspective view thereof;
 FIG. 3 is a top plan view thereof;
 FIG. 4 is a right end elevational view thereof with the left end elevational view being a mirror image thereof;
 FIG. 5 is a front elevational view thereof with the rear elevational view being a mirror image thereof;
 FIG. 6 is a top plan view of a second embodiment of the framework shown in FIG. 1;
 FIG. 7 is a right end elevational view thereof with the left end elevational view being a mirror image thereof;
 FIG. 8 is a front elevational view thereof with the rear elevational view being a mirror image thereof;
 FIG. 9 is a top plan view of a third embodiment of the framework shown in FIG. 1;
 FIG. 10 is a right end elevational view thereof with the left end elevational view being a mirror image thereof;
 FIG. 11 is a front elevational view thereof with the rear elevational view being a mirror image thereof;
 FIG. 12 is a top plan view of a fourth embodiment of the framework shown in FIG. 1;
 FIG. 13 is a right end elevational view thereof with the left end elevational view being a mirror image thereof;
 FIG. 14 is a front elevational view thereof with the rear elevational view being a mirror image thereof;
 FIG. 15 is a top plan view of a fifth embodiment of the framework shown in FIG. 1;
 FIG. 16 is right end elevational view thereof with the left end elevational view being a mirror image thereof;
 FIG. 17 is a front elevational view thereof with the rear elevational view being a mirror image thereof;
 FIG. 18 is a top plan view of a sixth embodiment of the framework shown in FIG. 1;
 FIG. 19 is a right end elevational view thereof with the left end elevational view being a mirror image thereof; and,
 FIG. 20 is a front elevational view thereof with the rear elevational view being a mirror image thereof.

1 Claim, 7 Drawing Sheets



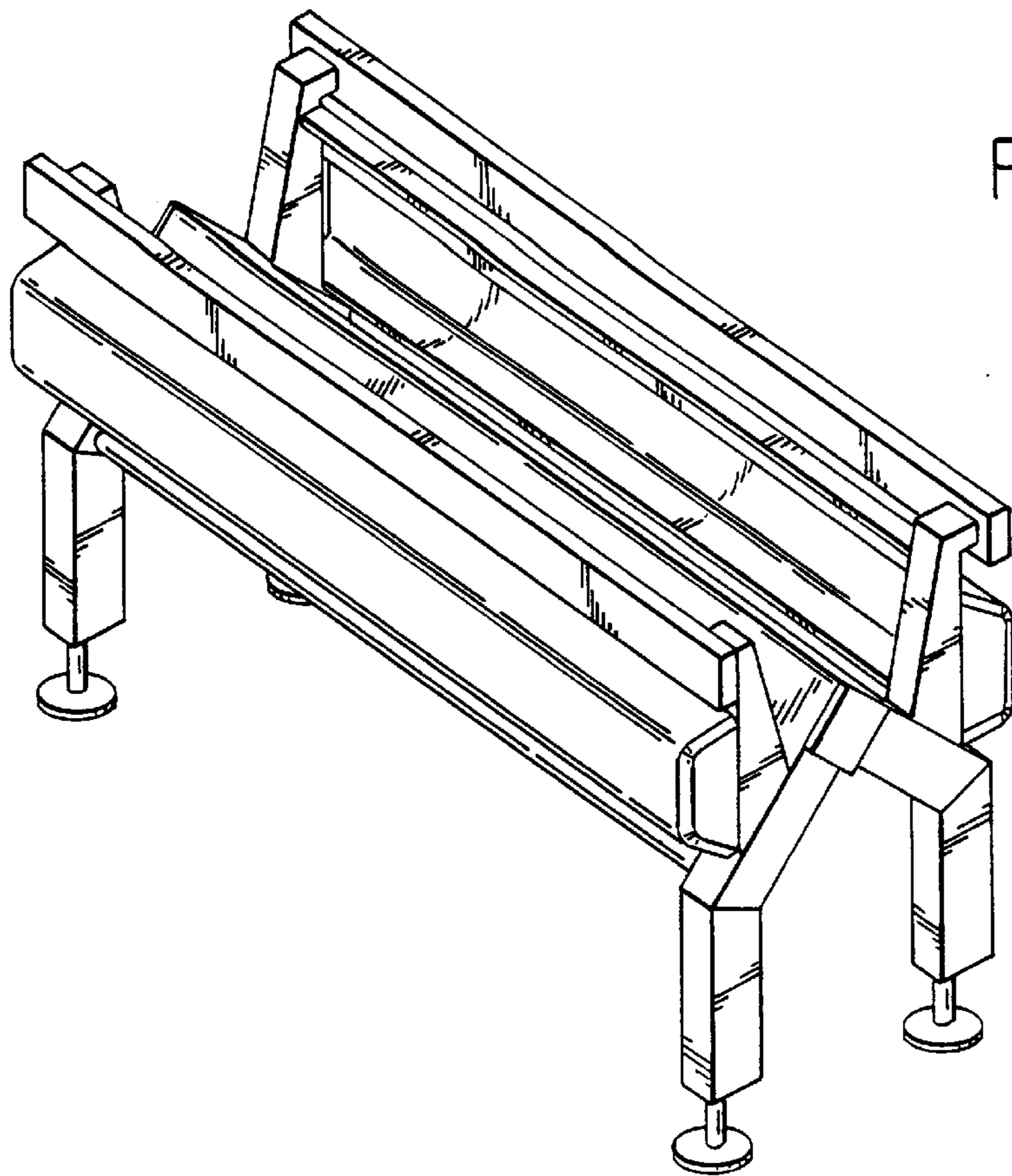
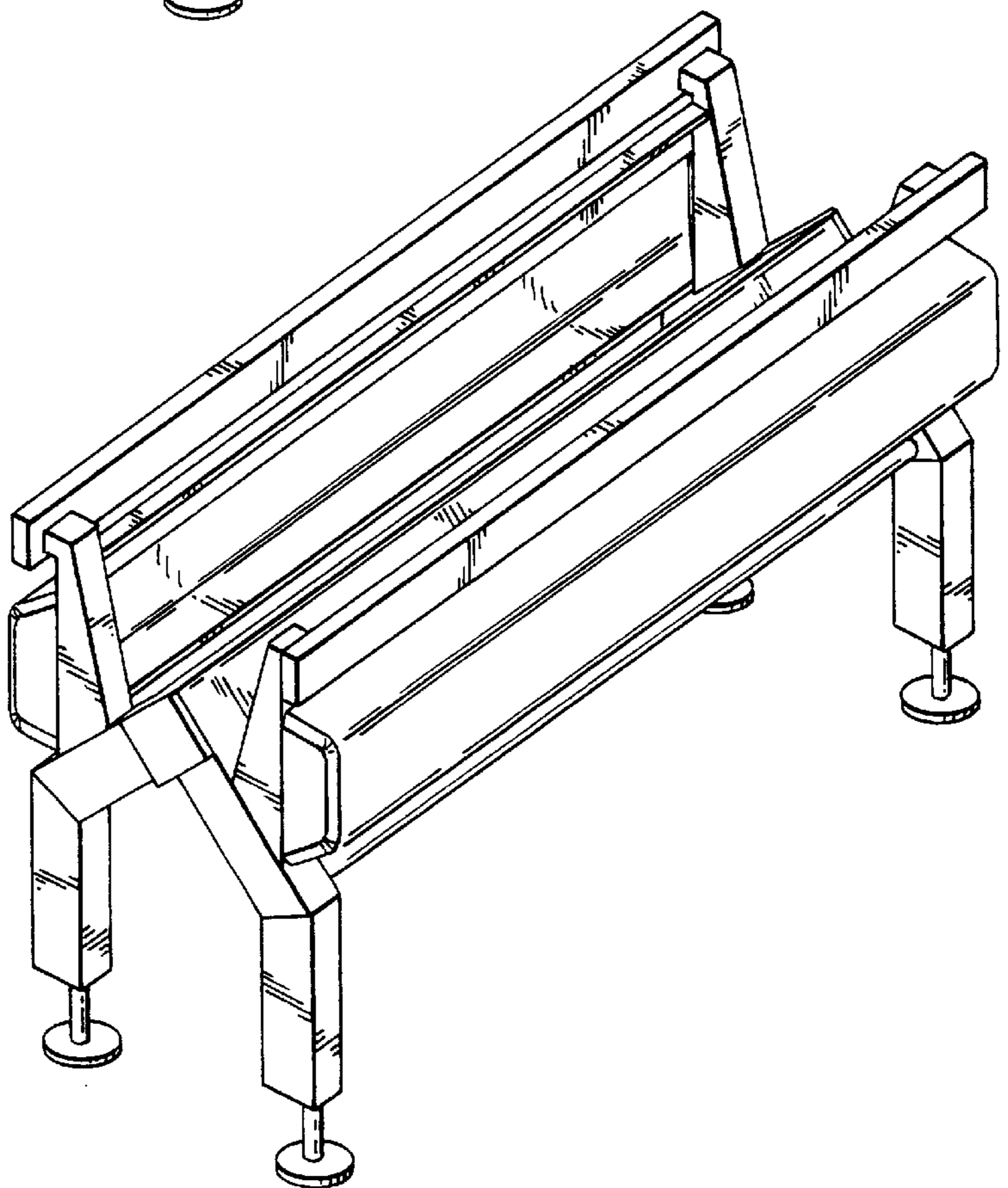


FIG. 1

FIG. 2



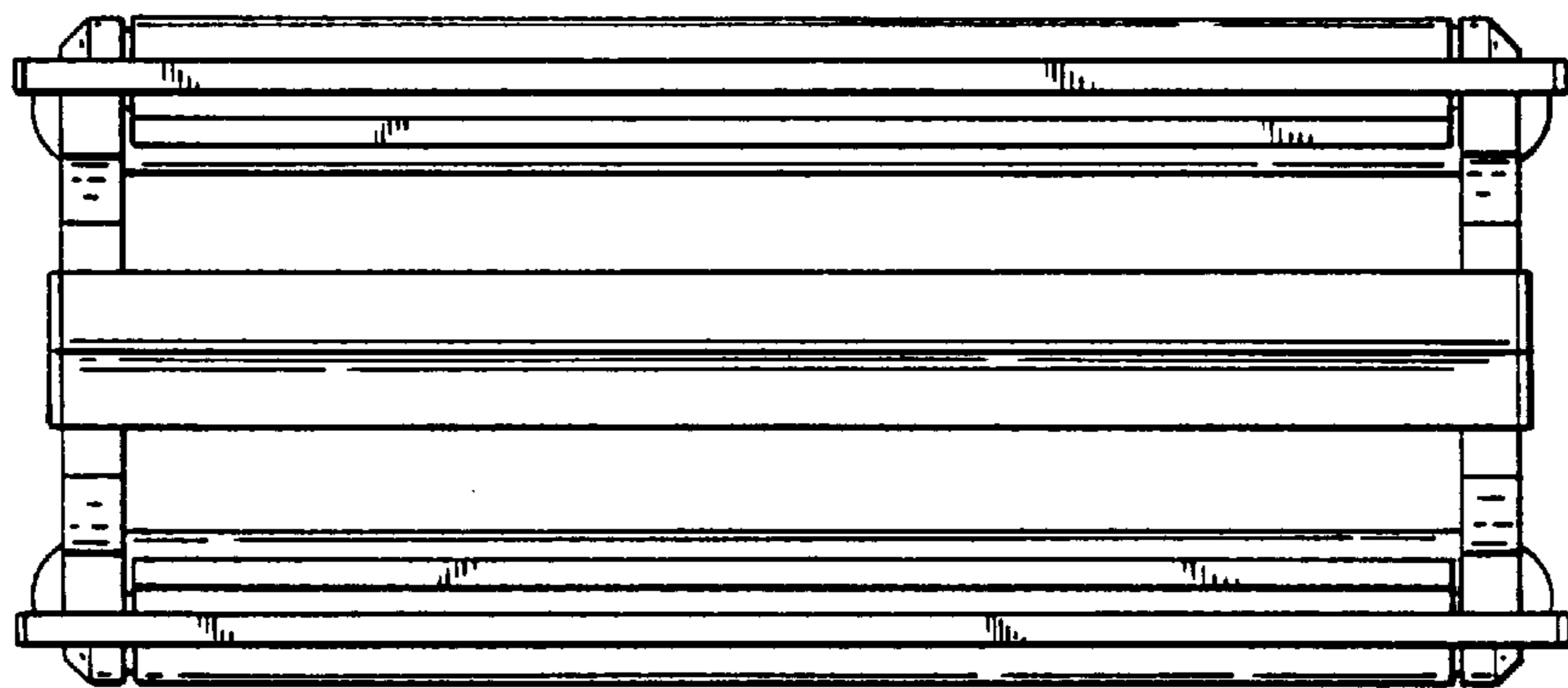


FIG. 3

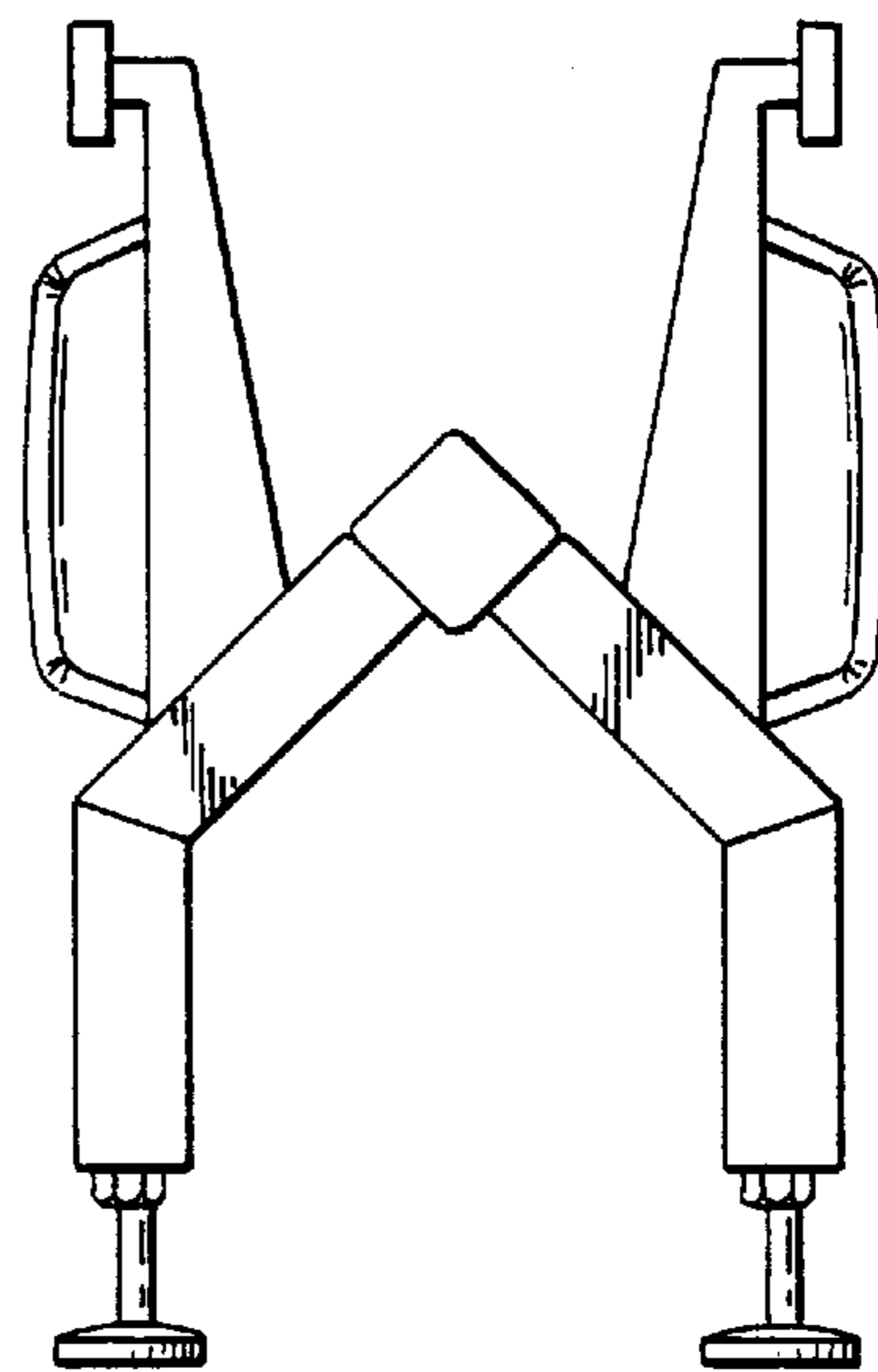


FIG. 4

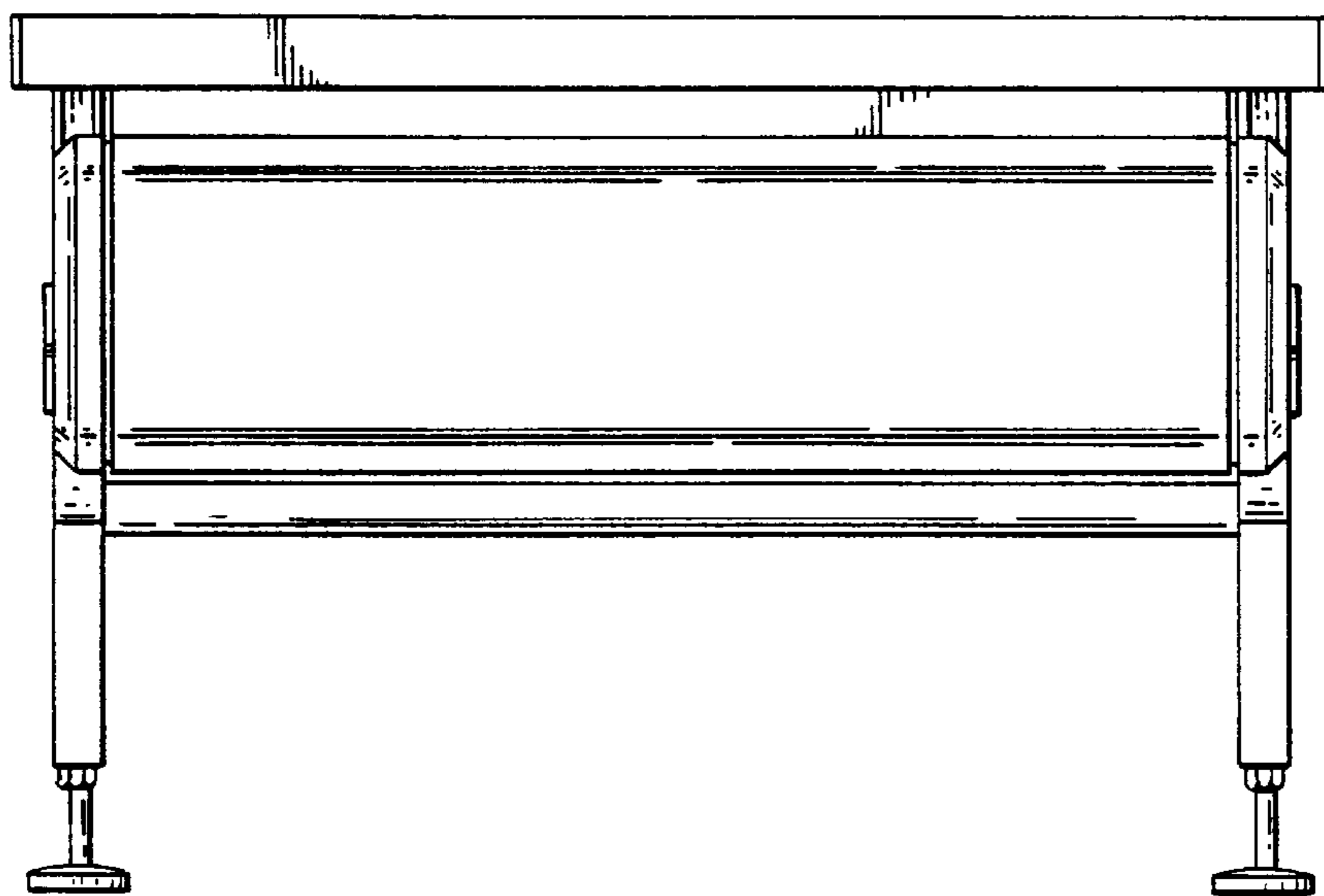


FIG. 5

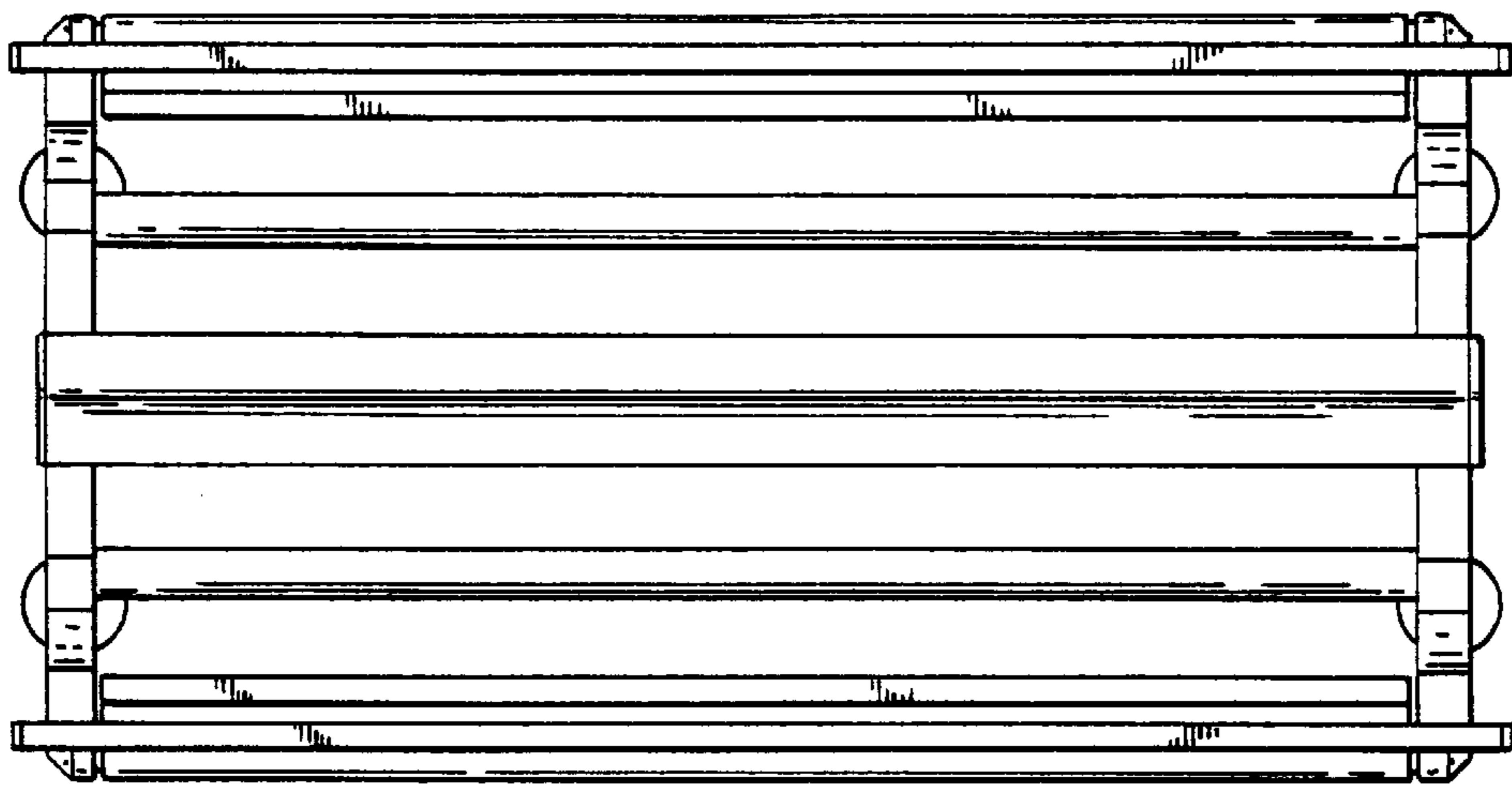


FIG. 6

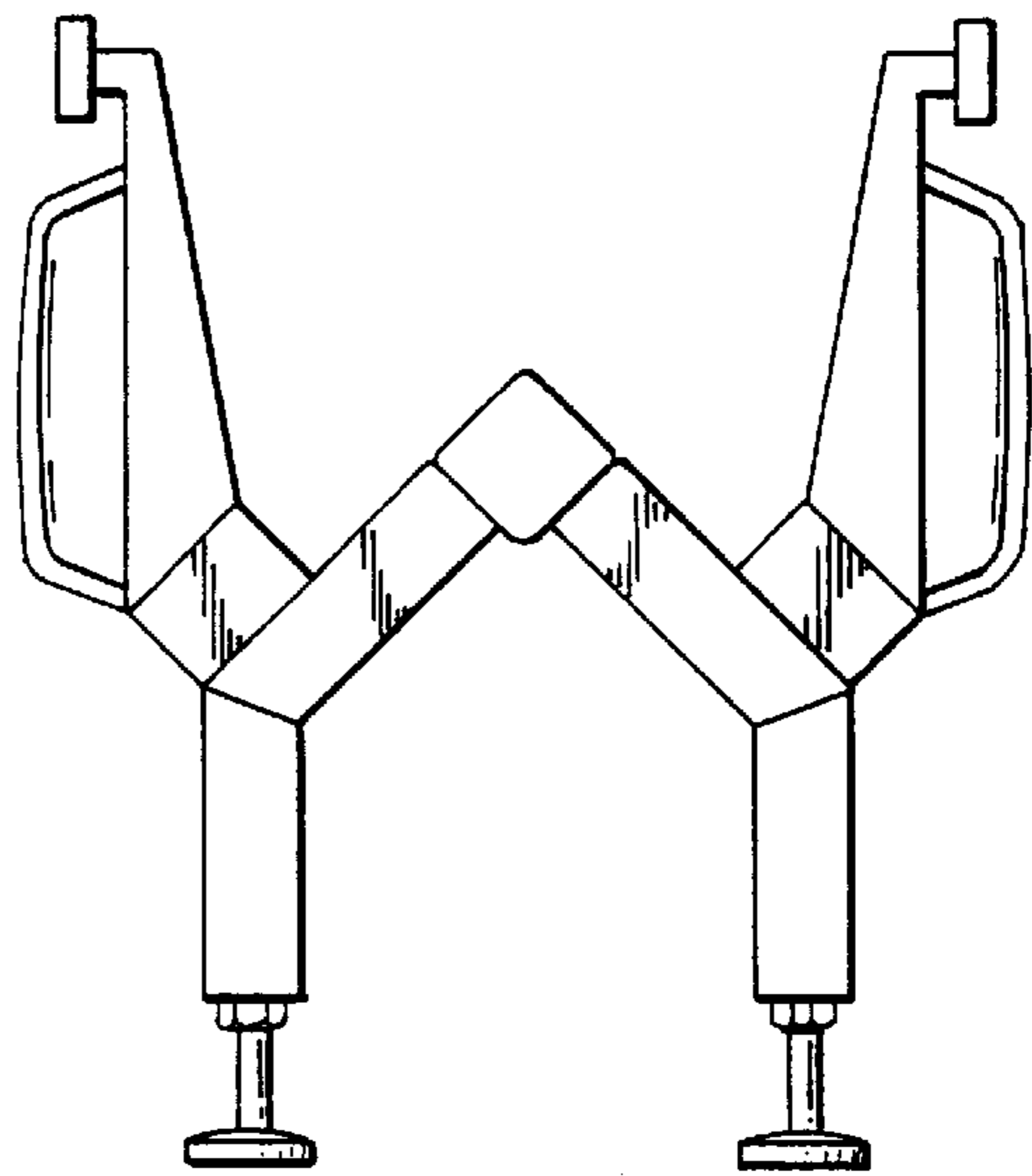


FIG. 7

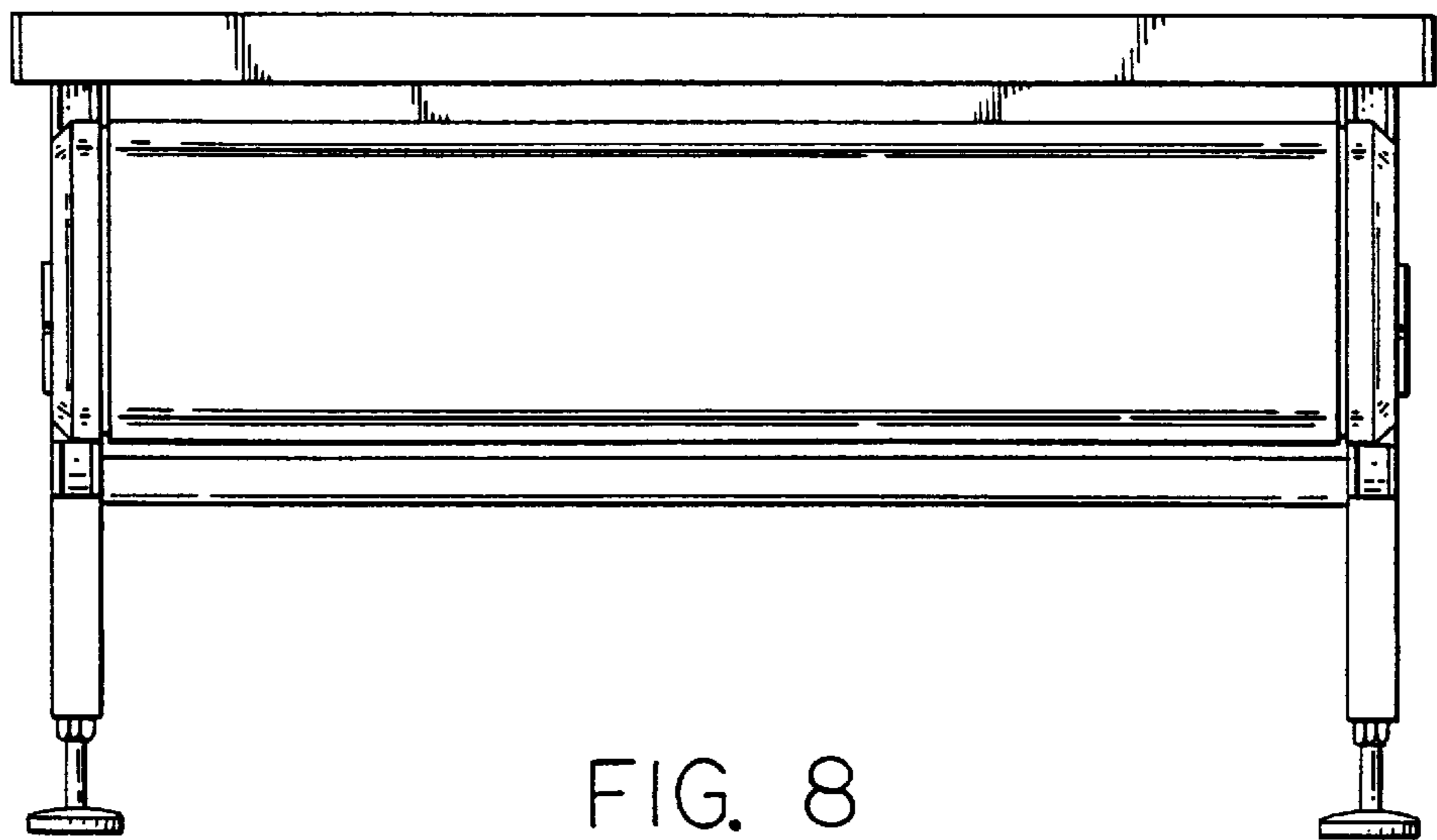


FIG. 8

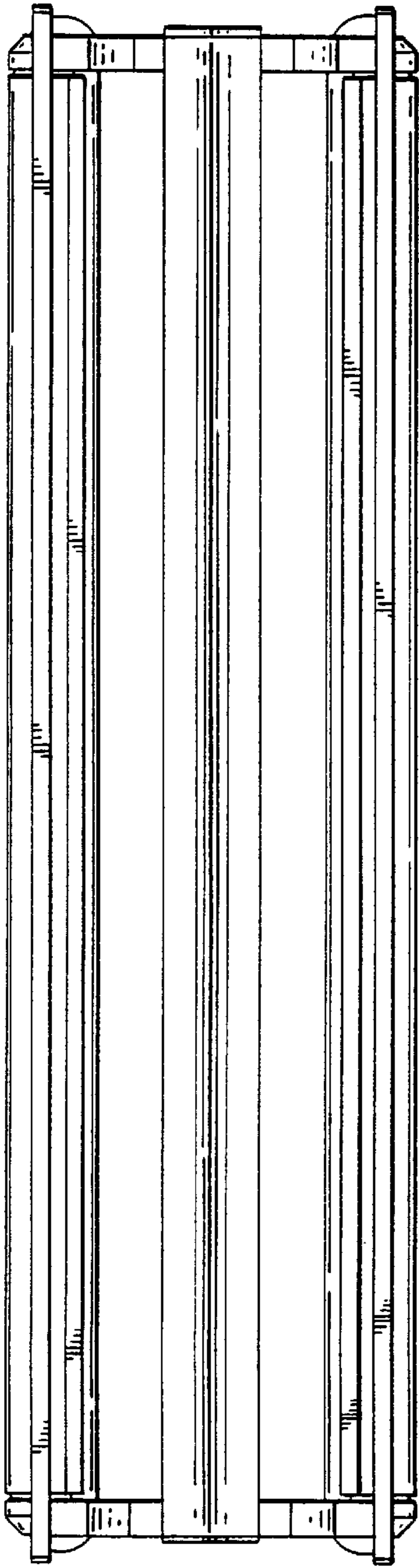


FIG. 9

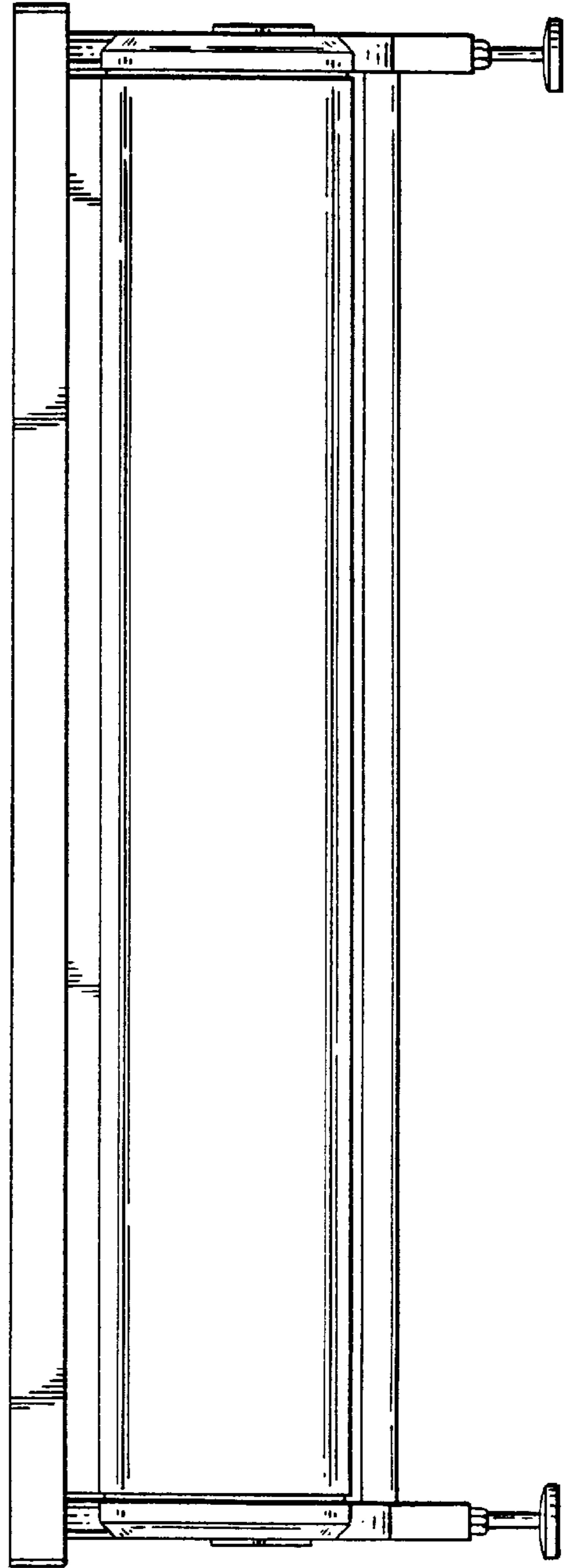


FIG. 11

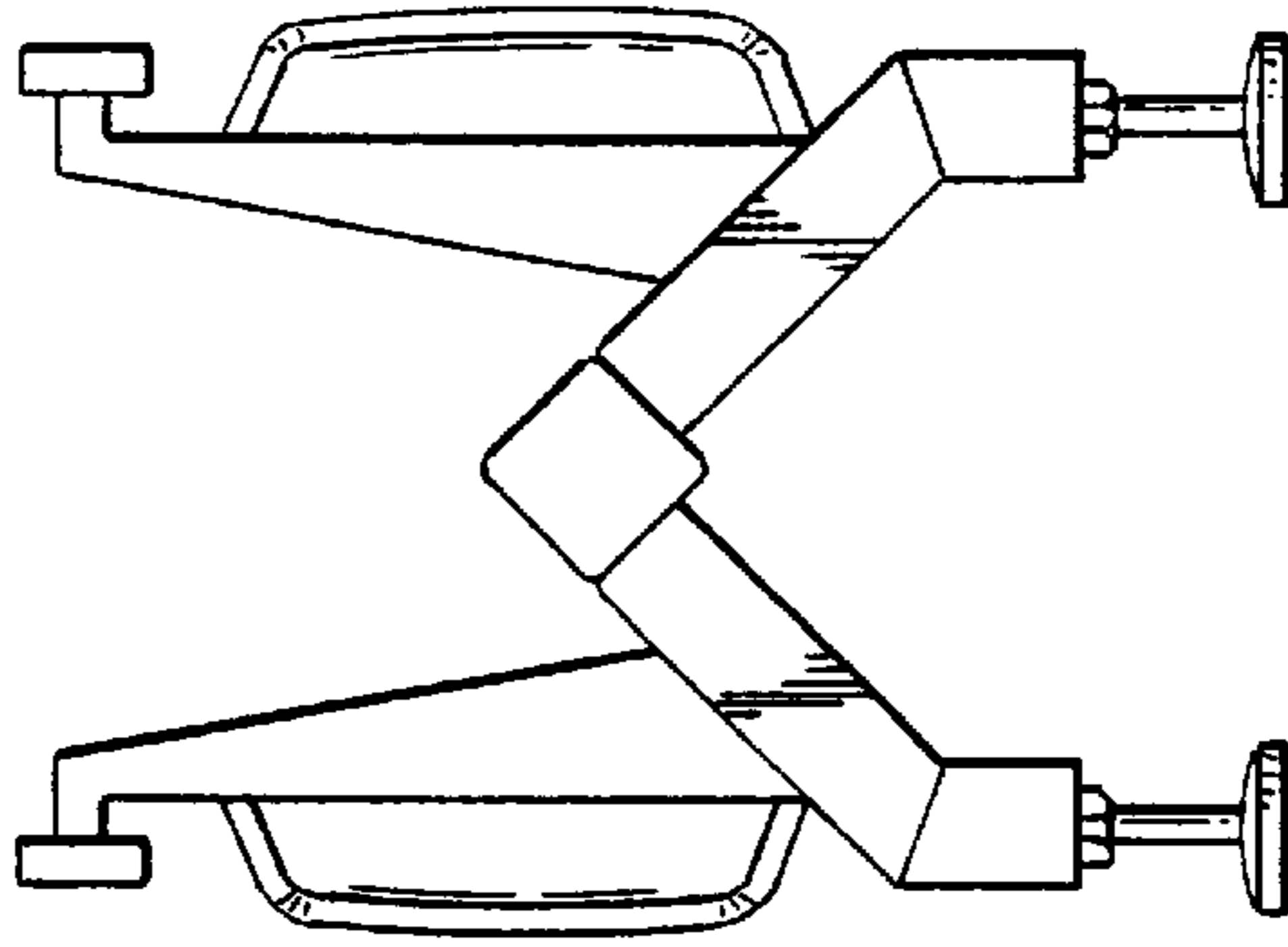


FIG. 10

FIG. 12

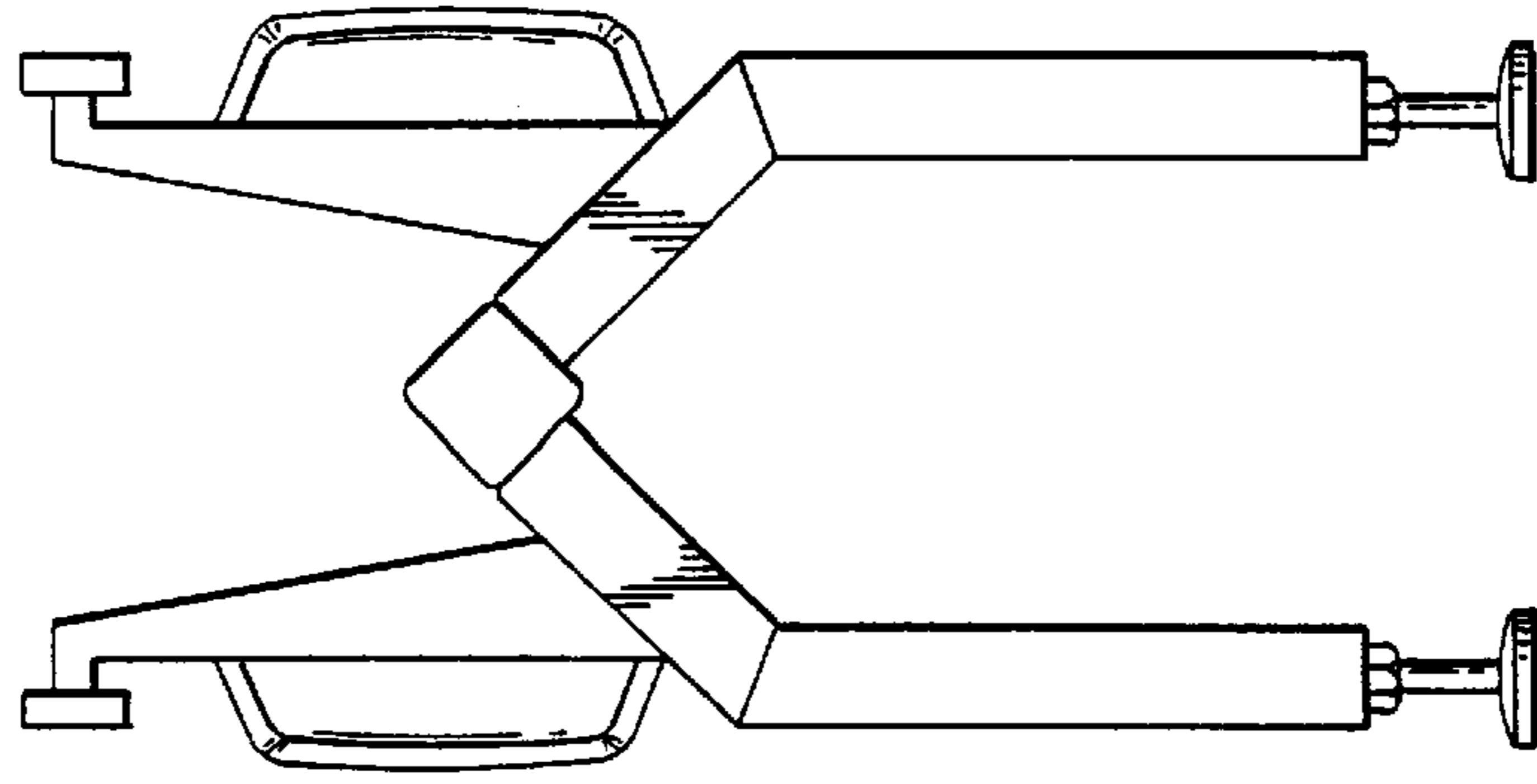
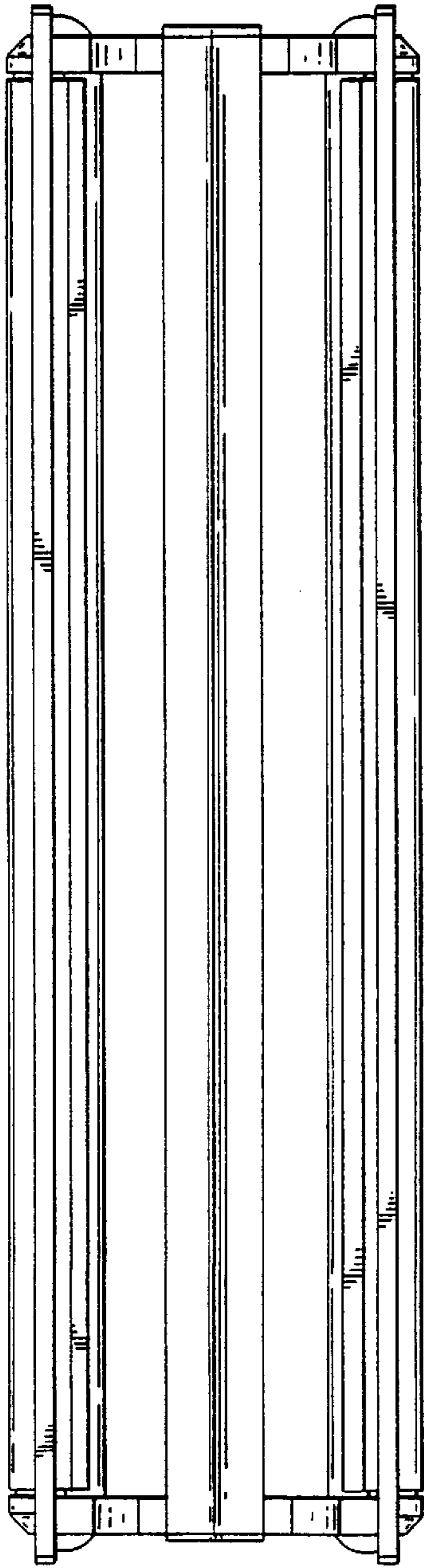


FIG. 13

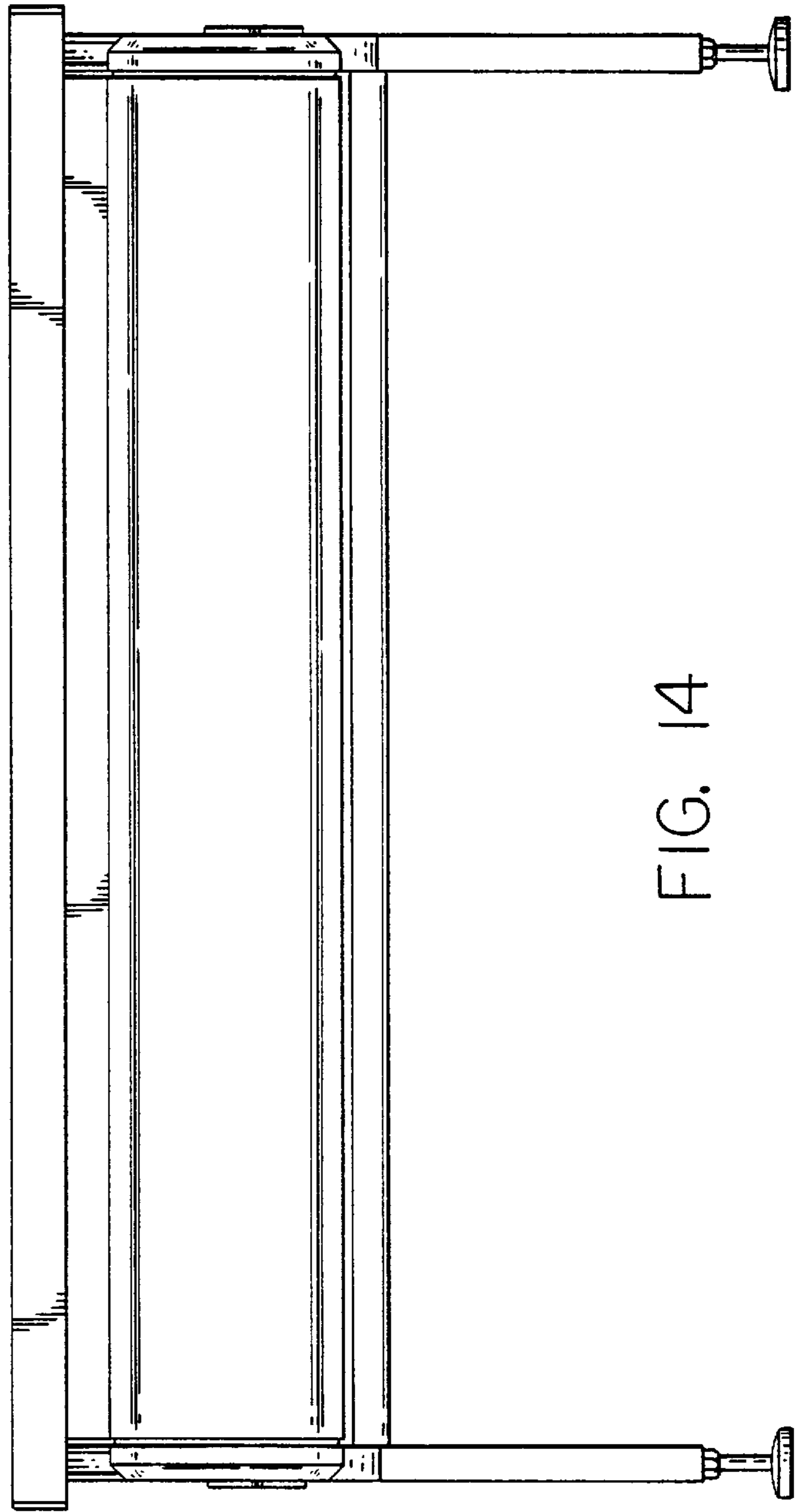


FIG. 14

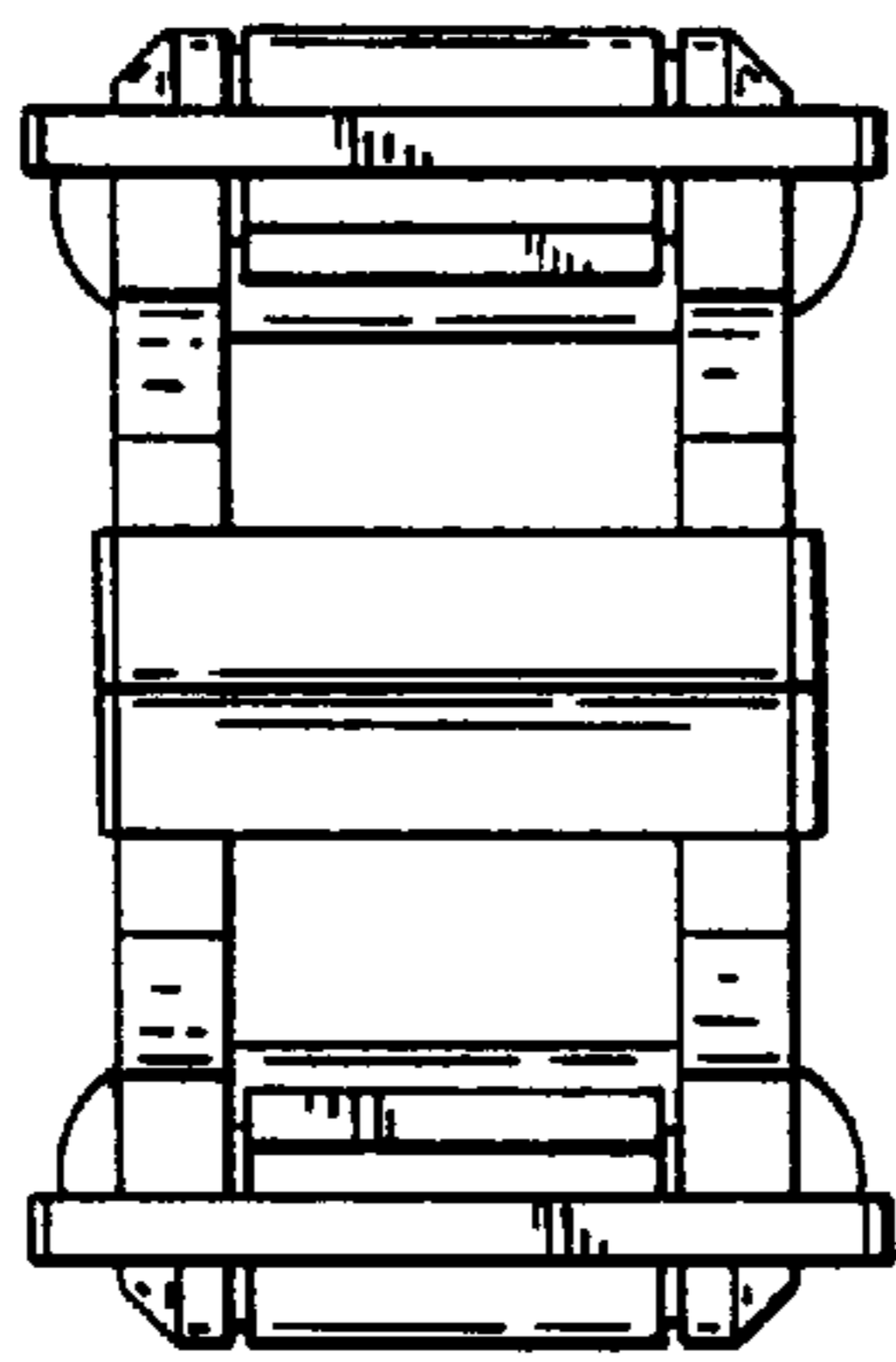


FIG. 15

FIG. 17

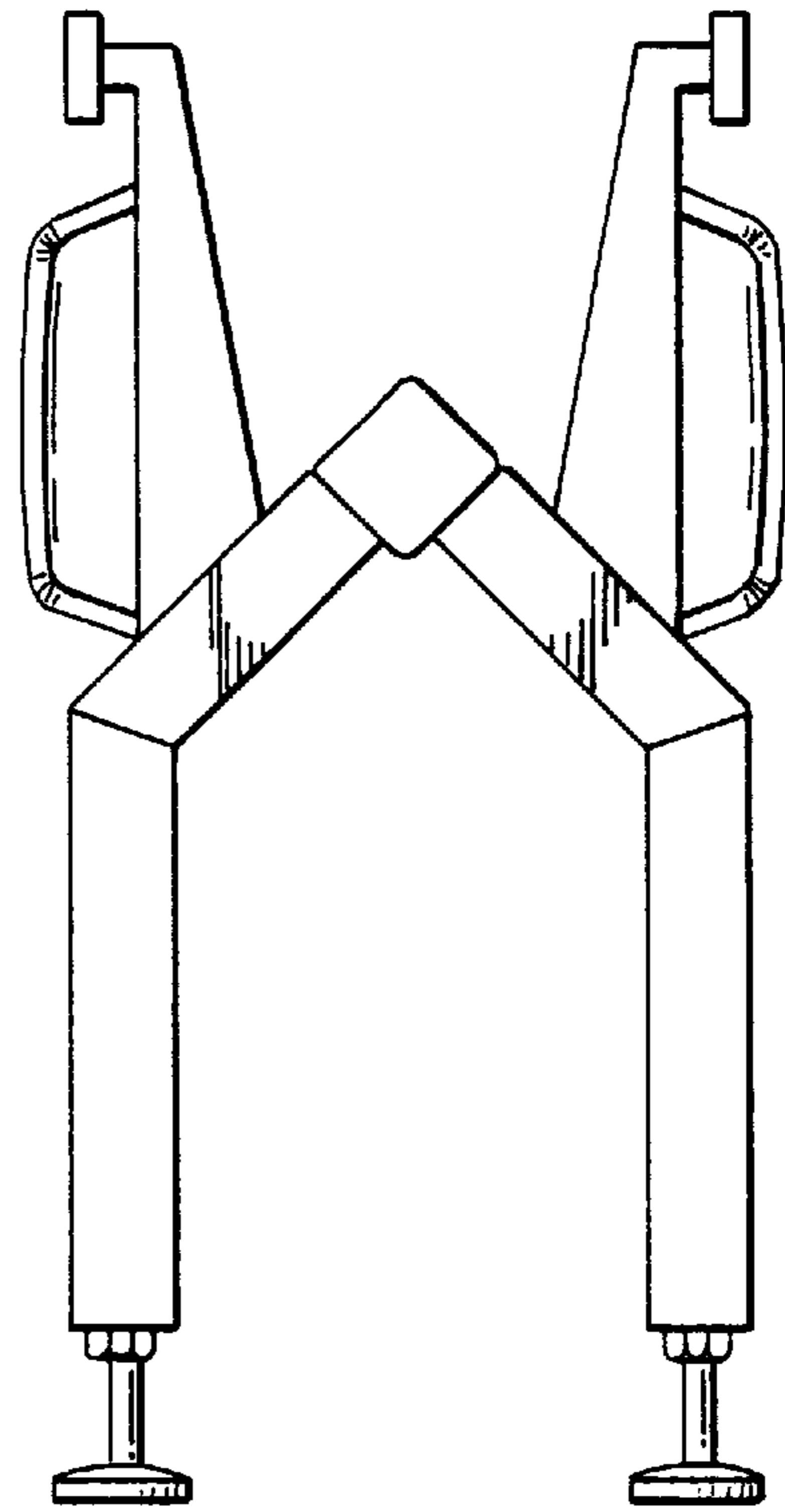
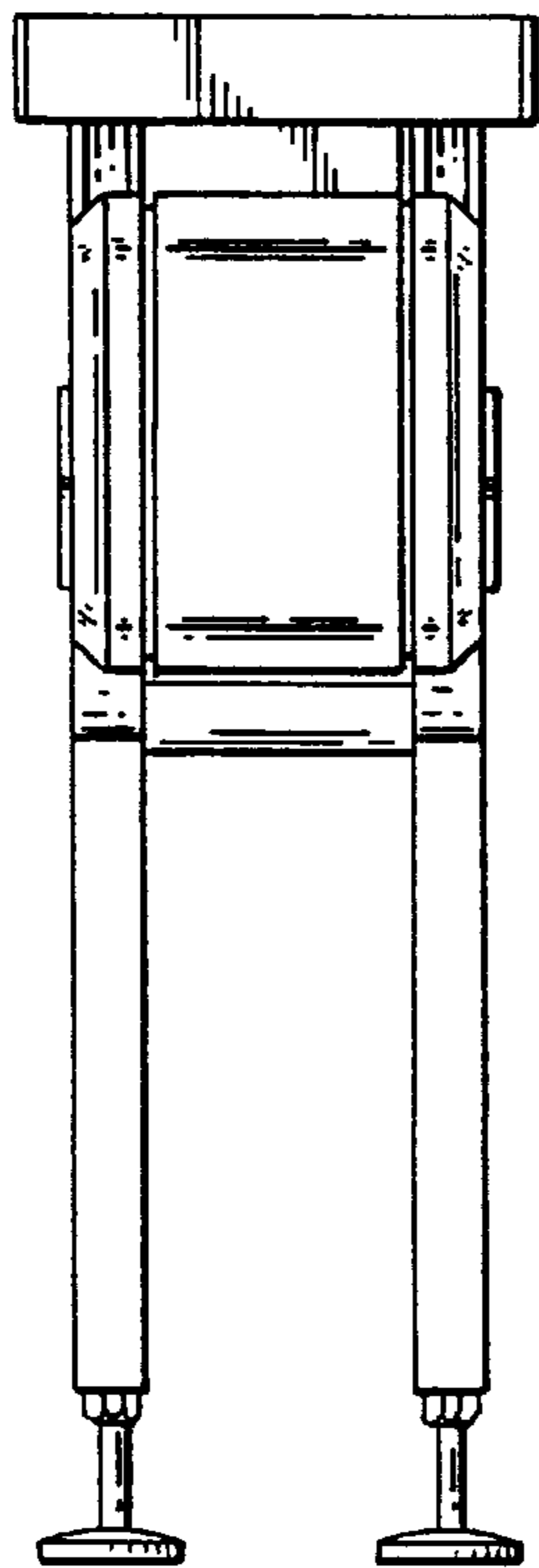


FIG. 16

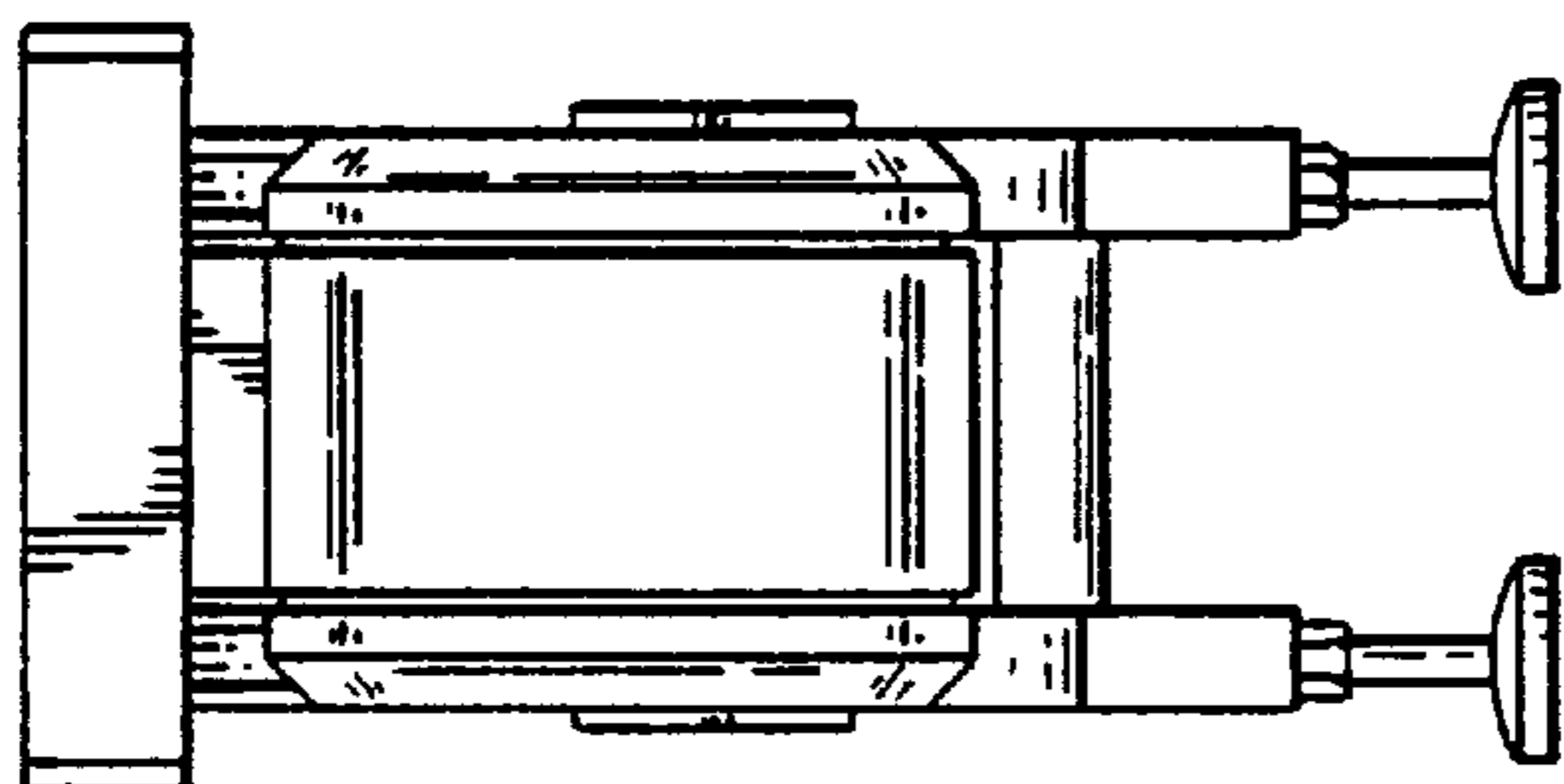


FIG. 20

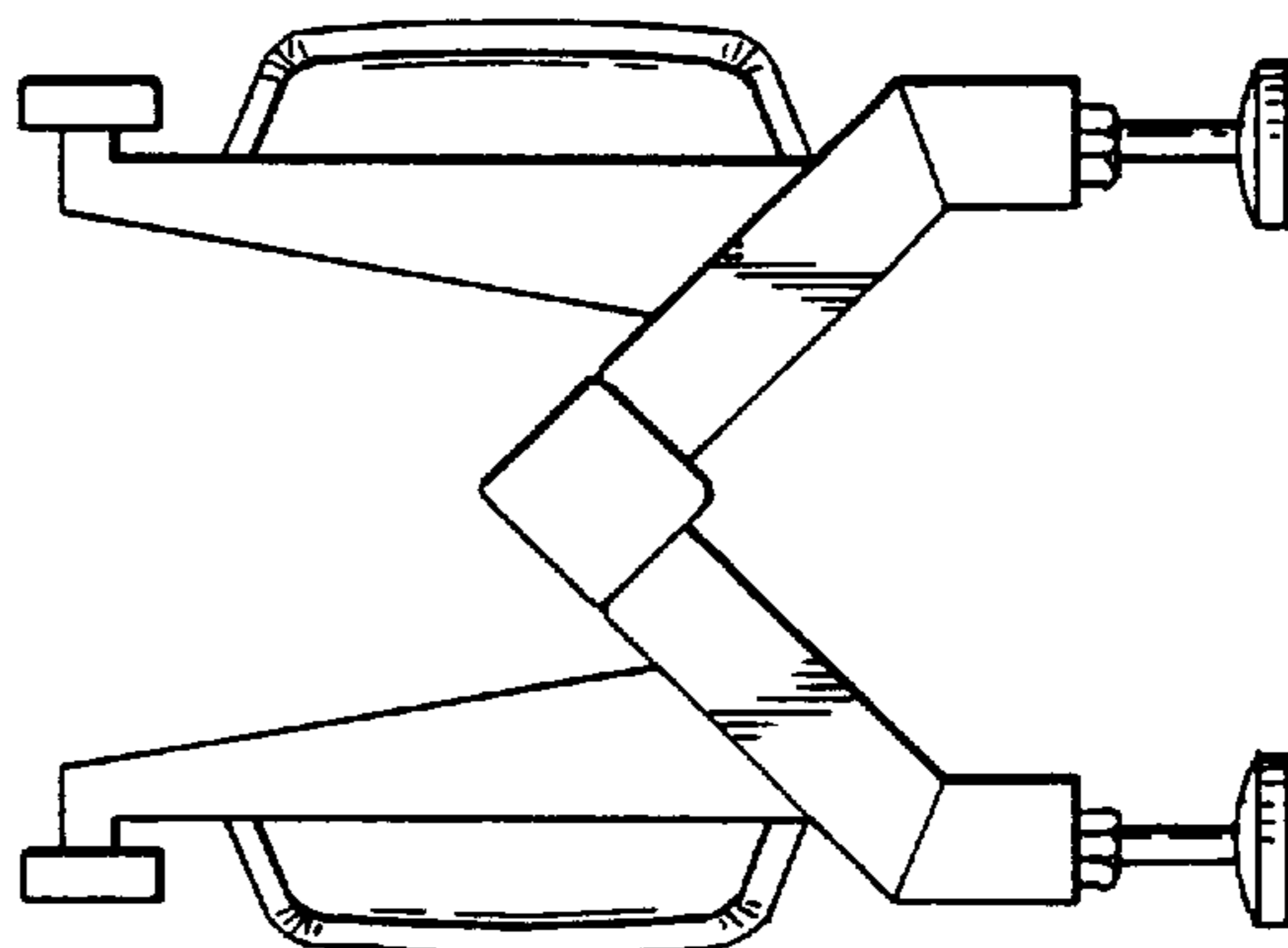


FIG. 19

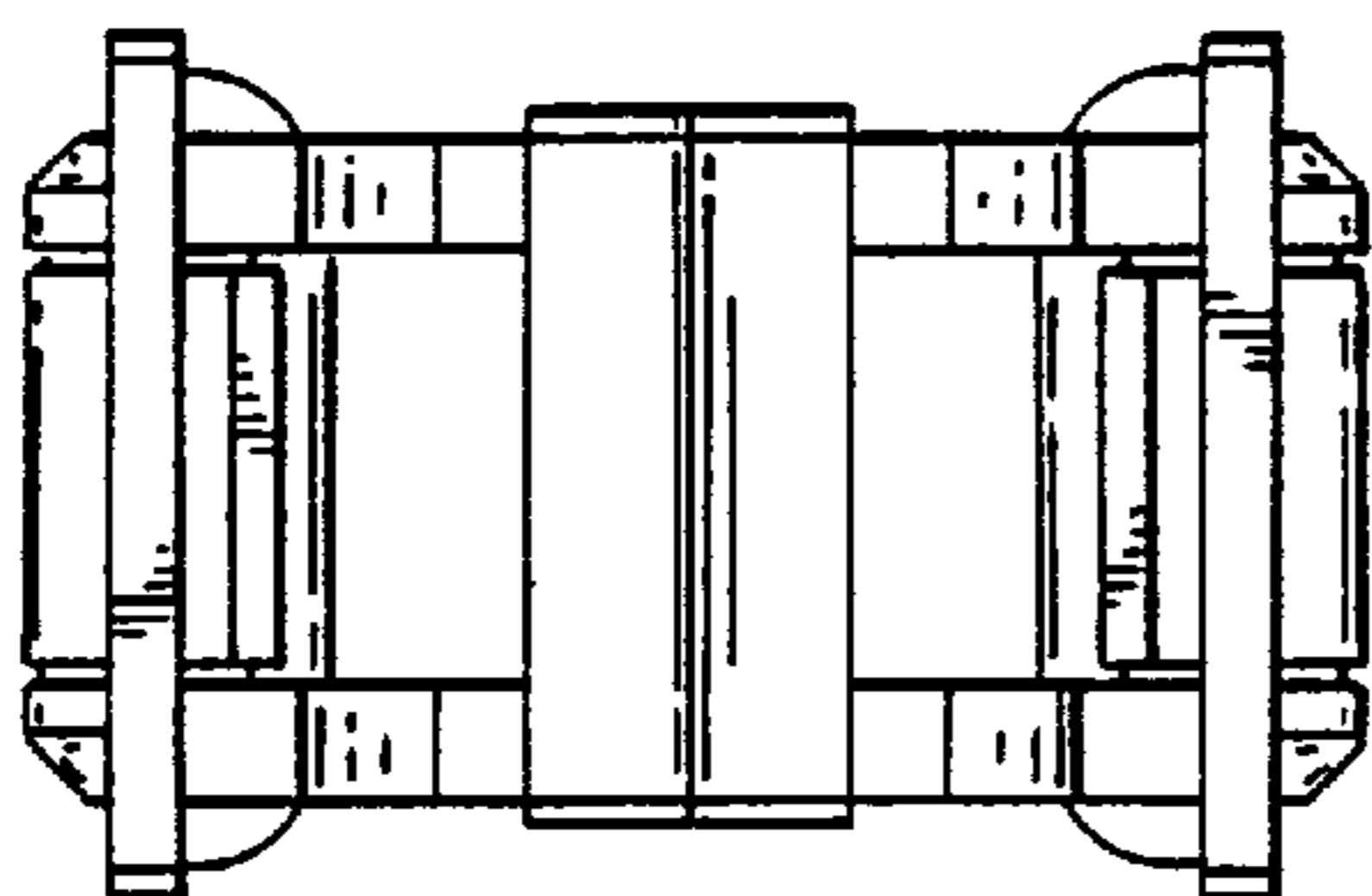


FIG. 18