



US00D402776S

**United States Patent** [19]  
**Carlson**

[11] **Patent Number: Des. 402,776**

[45] **Date of Patent: \*\*Dec. 15, 1998**

[54] **MOP HEAD**

D. 358,238 5/1995 Barnett ..... D32/50  
D. 384,818 10/1997 Wolfenden ..... D32/50 X  
2,769,995 11/1956 Klein .

[75] Inventor: **Arthur Richard Carlson**, Hawthorn  
East, Australia

[73] Assignee: **Decor Corporation Pty Ltd.**, Victoria,  
Australia

*Primary Examiner*—Susan J. Lucas  
*Assistant Examiner*—Cynthia E. Ramirez  
*Attorney, Agent, or Firm*—McDermott, Will & Emery

[\*\*] Term: **14 Years**

[57] **CLAIM**

[21] Appl. No.: **83,643**

The ornamental design for a mop head, as shown and described.

[22] Filed: **Feb. 13, 1998**

**DESCRIPTION**

[51] **LOC (6) Cl.** ..... **04-01**

FIG. 1 is a perspective view from the top and side of the mop head showing my new design;

[52] **U.S. Cl.** ..... **D32/50; D32/40**

FIG. 2 is a front elevational view thereof;

[58] **Field of Search** ..... D32/40, 50, 51,

FIG. 3 is a top plan view thereof;

D32/52; 15/115, 119.2, 116.2, 118, 229.3,  
229.6, 229.7, 229.8, 228

FIG. 4 is a rear elevational view;

FIG. 5 is an end view thereof, the other end being a mirror image;

[56] **References Cited**

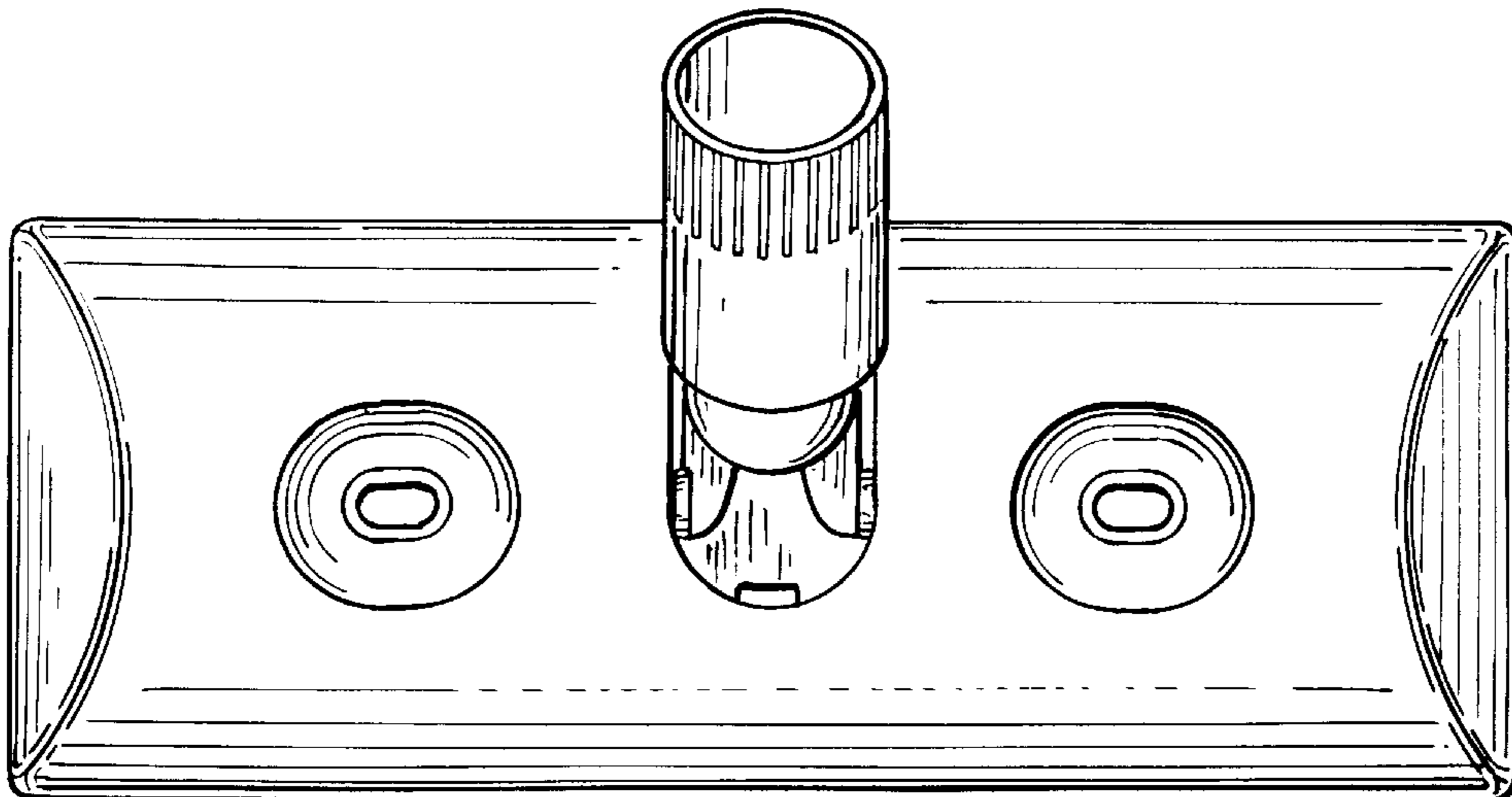
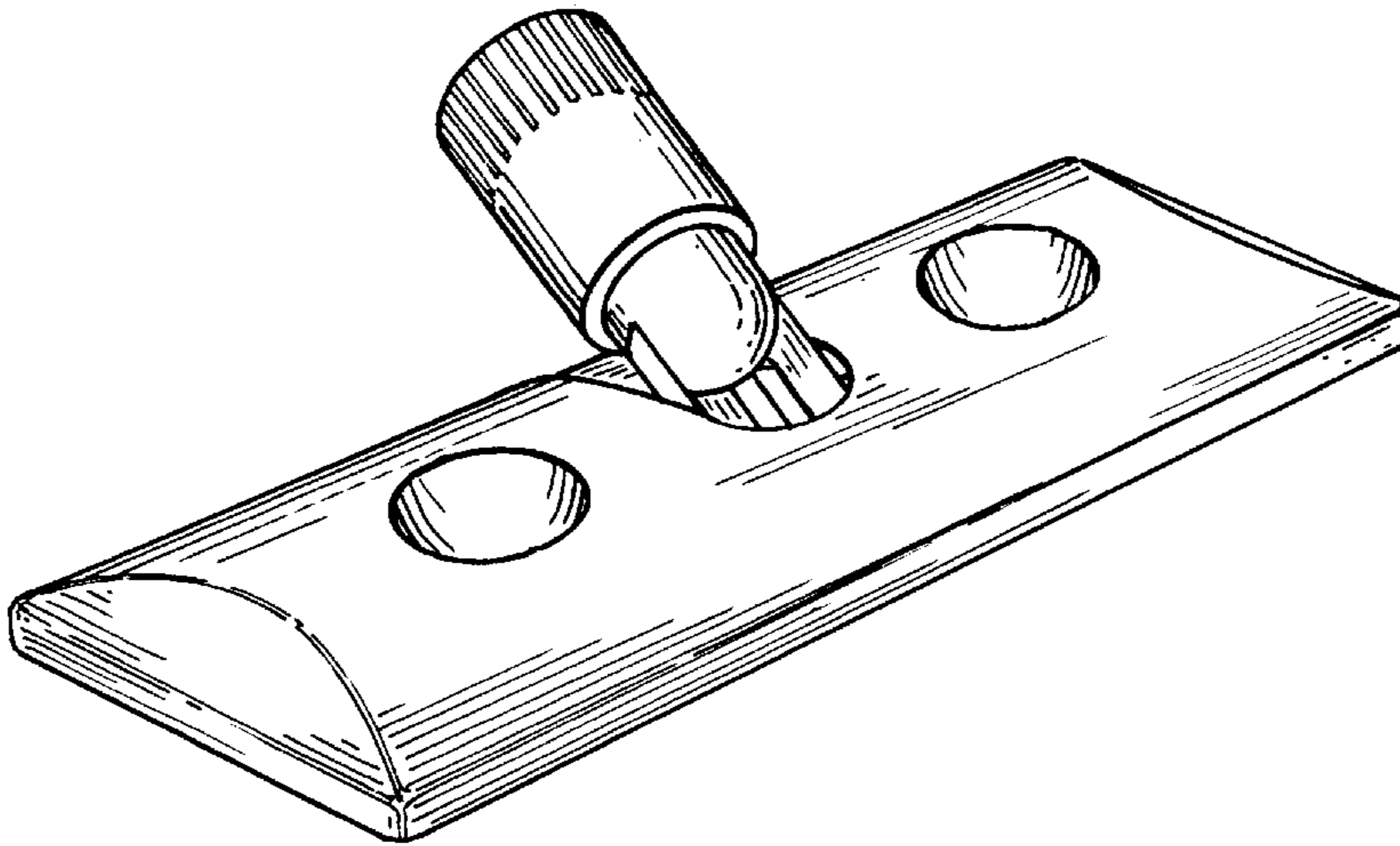
**U.S. PATENT DOCUMENTS**

D. 195,818 8/1963 Herman et al. .... D32/50  
D. 202,767 11/1965 Cowen ..... D32/50  
D. 274,856 7/1984 Smith et al. .... D32/50

FIG. 6 is a bottom view thereof; and,

FIG. 7 is cross-section view to clearly illustrate profile thereof.

**1 Claim, 2 Drawing Sheets**



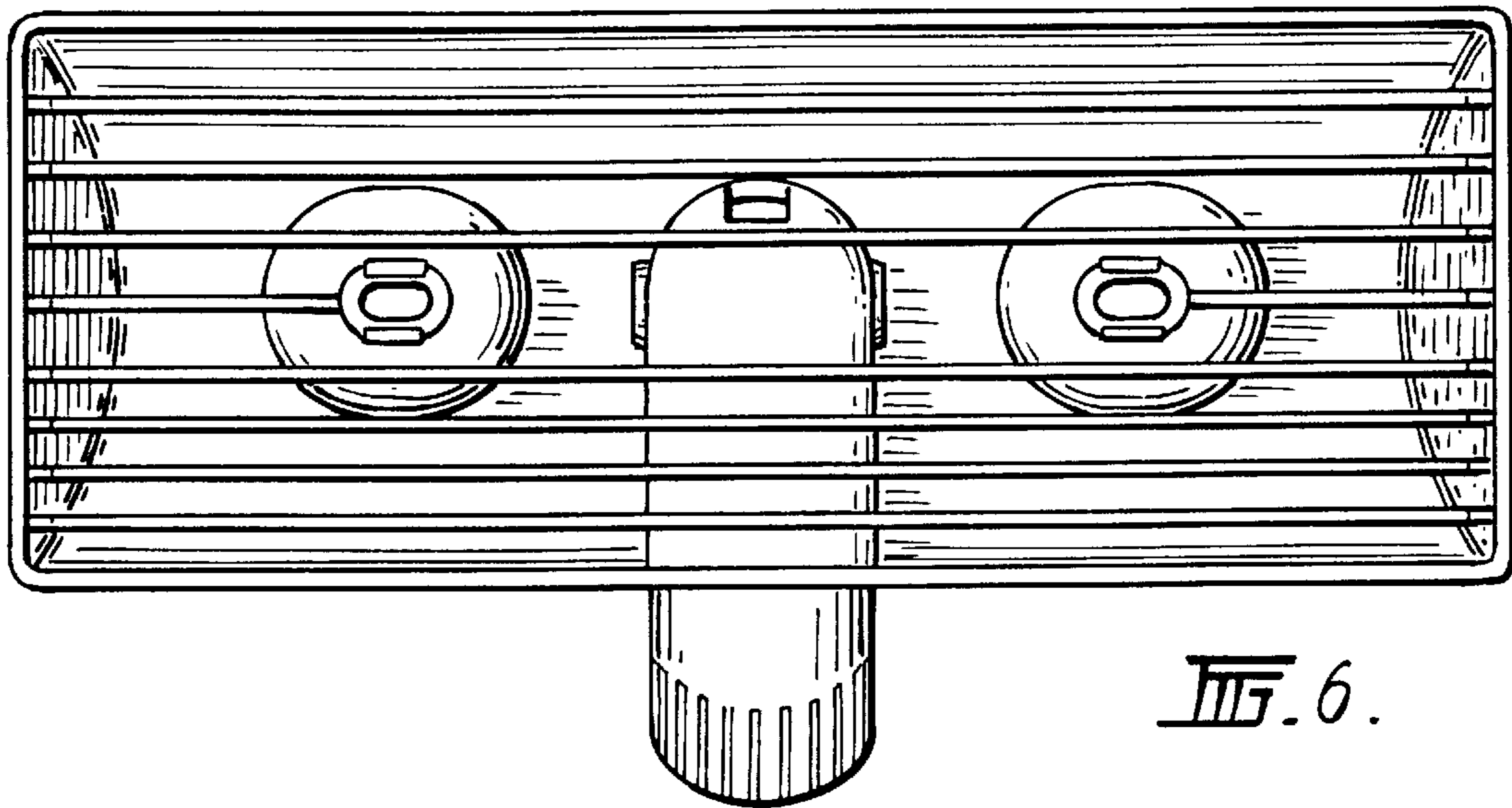
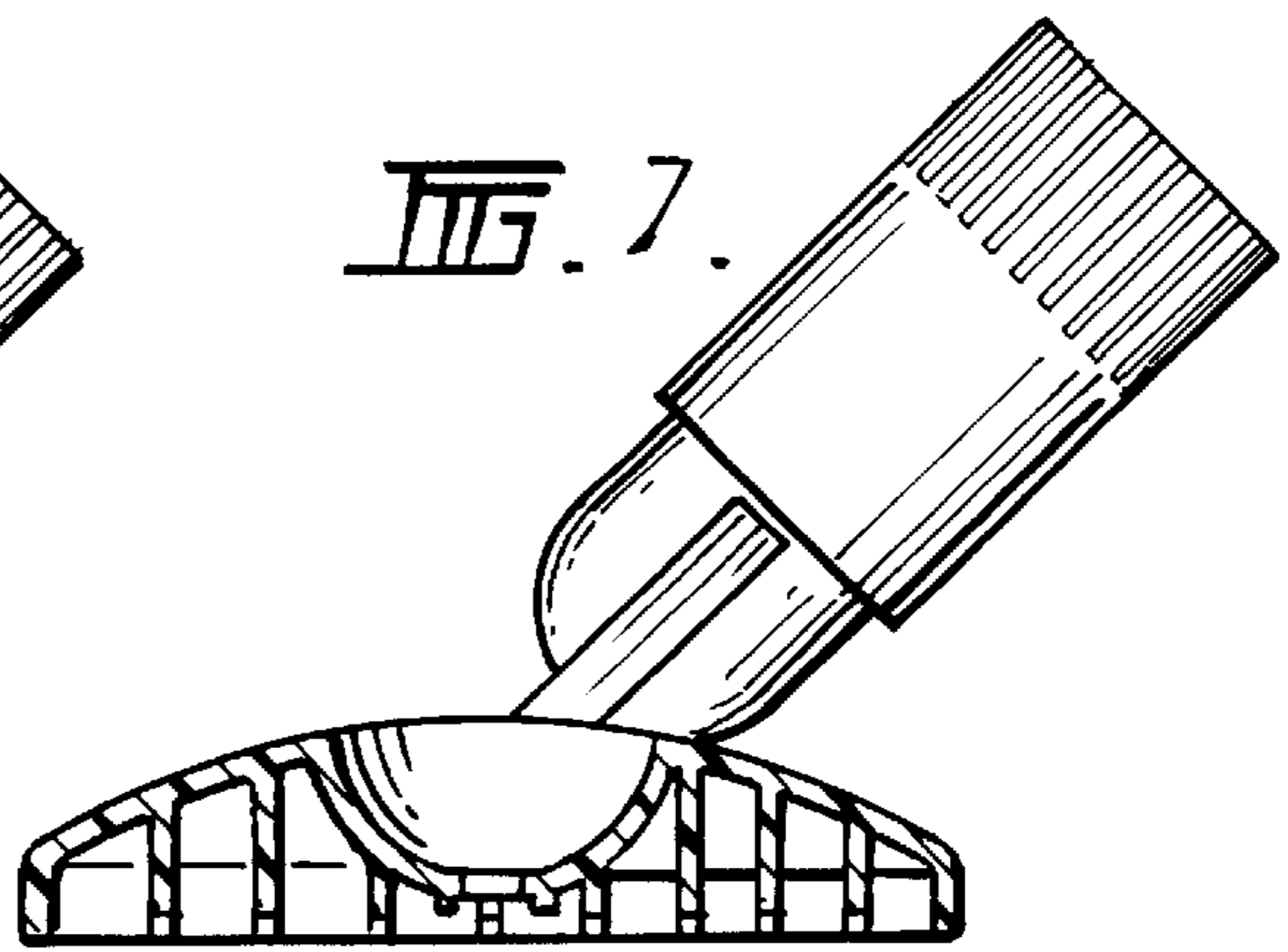
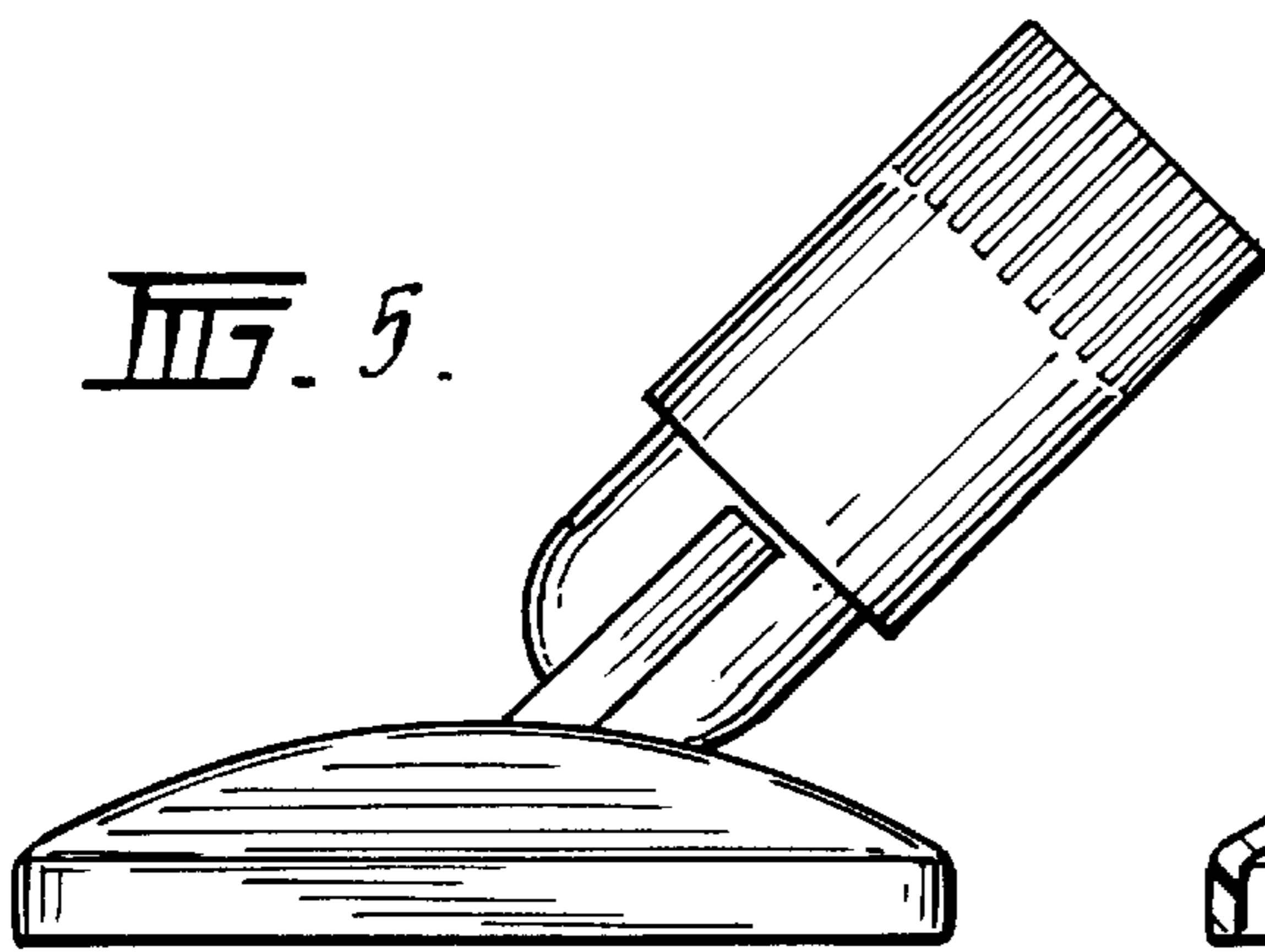
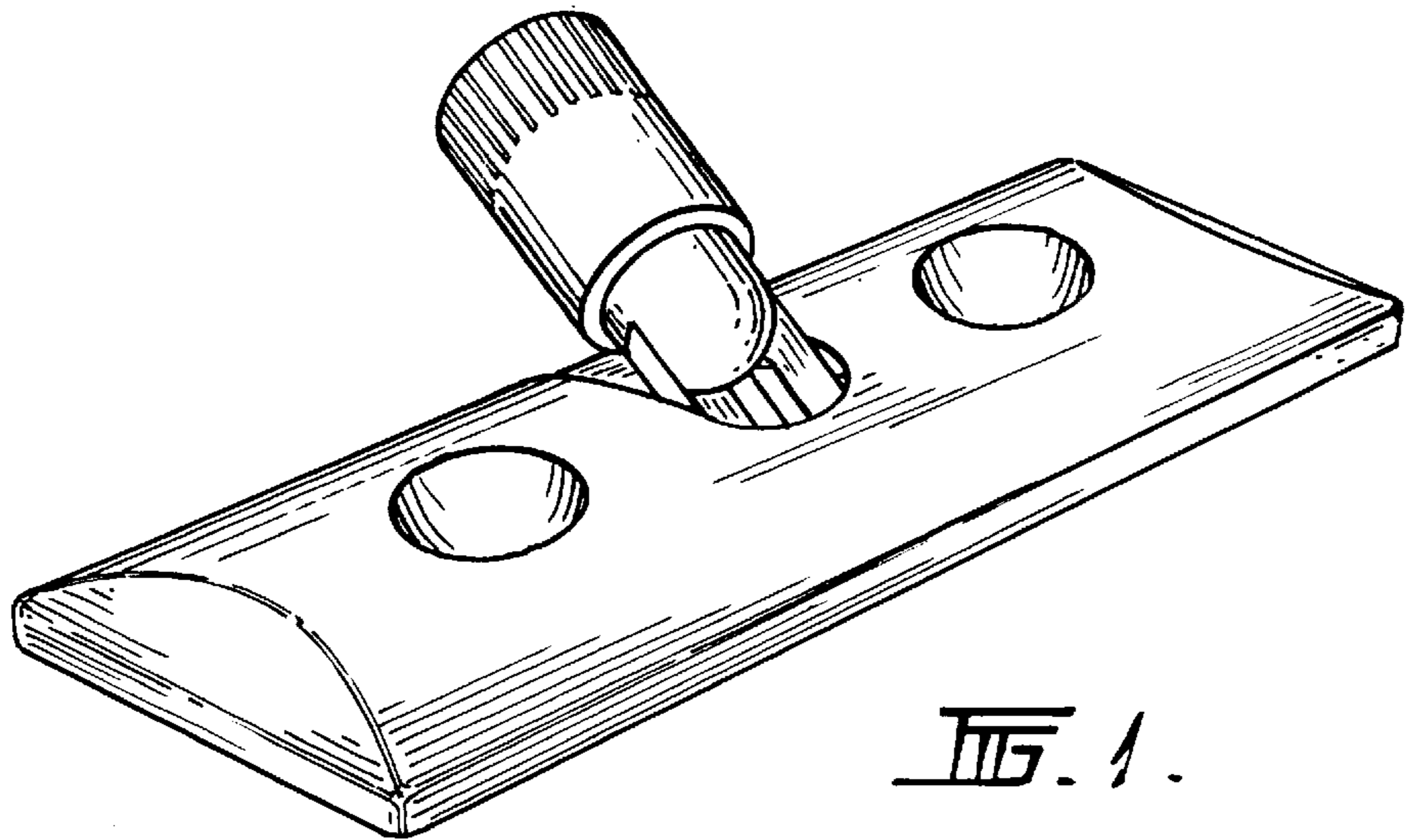
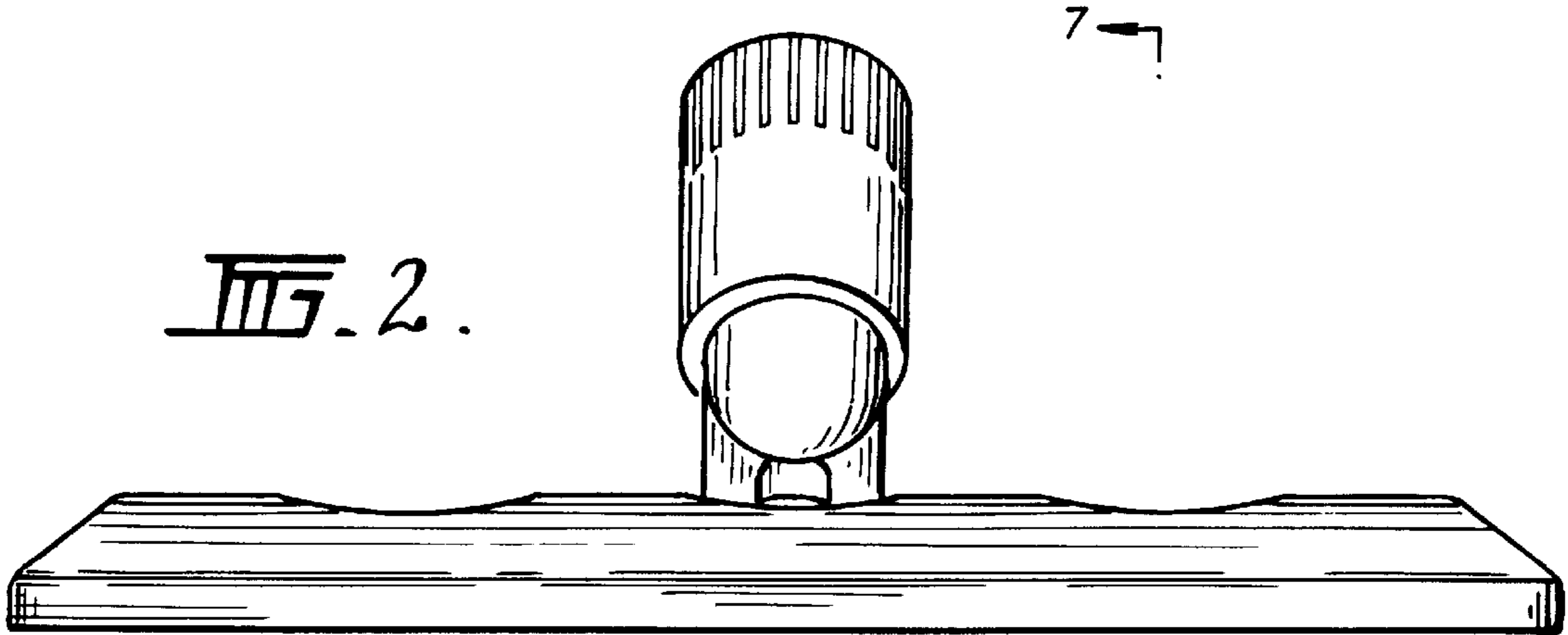


FIG. 2.



7

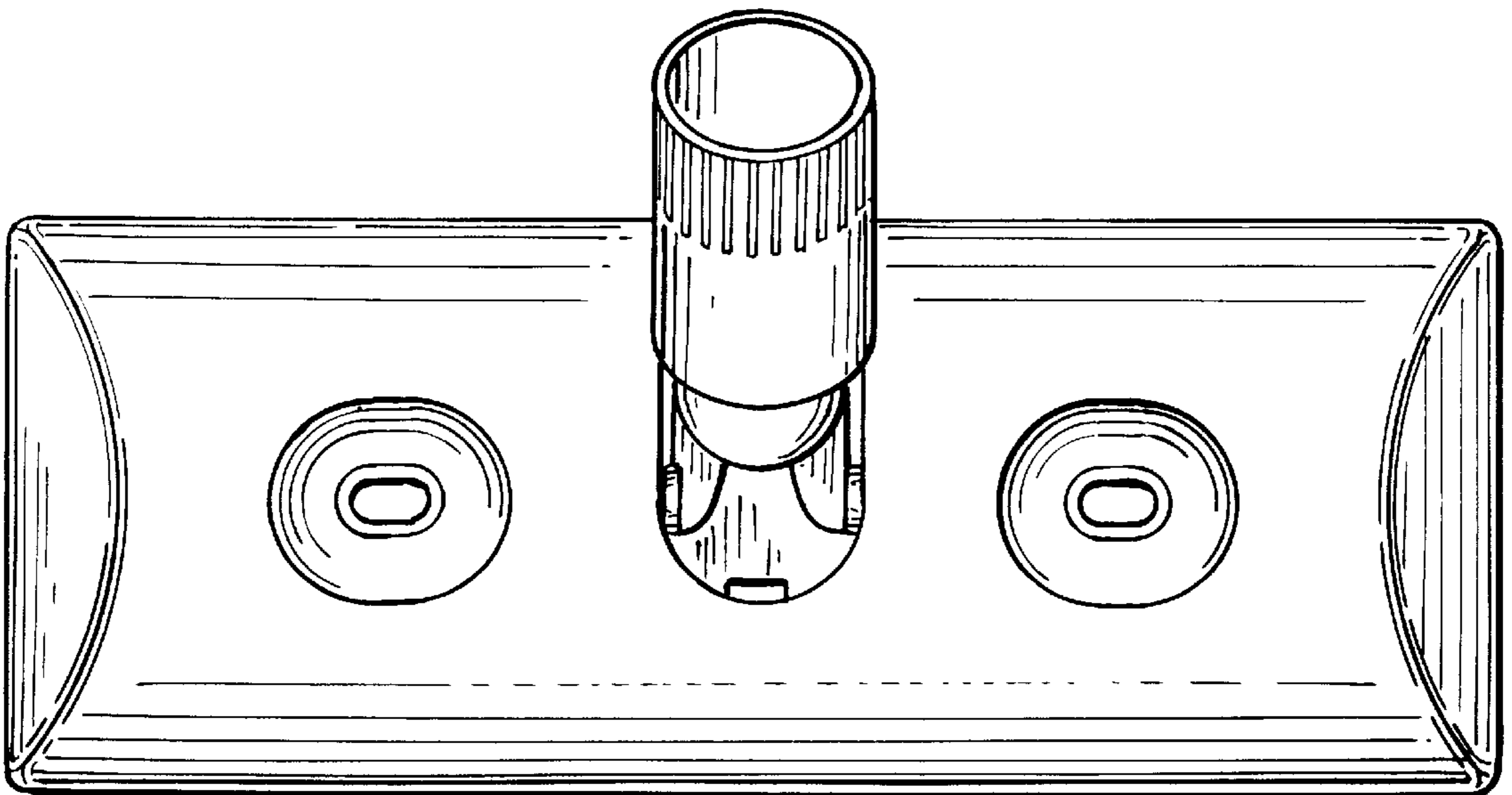


FIG. 3.

FIG. 4.

