



US00D402773S

United States Patent [19] Lo

[11] **Patent Number: Des. 402,773**

[45] **Date of Patent: **Dec. 15, 1998**

[54] **LAMP WITH TRANSLUCENT BAFFLES**

5,373,431 12/1994 Hayman et al. 362/364

[75] Inventor: **David Lo**, Taipai Hsieh, Taiwan

Primary Examiner—Susan J. Lucas
Attorney, Agent, or Firm—Hoffmann & Baron, LLP;
Francis E. Marino

[73] Assignee: **Holmes Products, Corp.**, Milford, Mass.

[**] Term: **14 Years**

[57] CLAIM

[21] Appl. No.: **75,229**

The ornamental design for a lamp with translucent baffles, as shown and described.

[22] Filed: **Aug. 14, 1997**

DESCRIPTION

[51] **LOC (6) Cl.** **26-99**

FIG. 1 is a side perspective view of a lamp with translucent baffles showing my new design;

[52] **U.S. Cl.** **D26/24; D26/118**

FIG. 2 is a front elevation view thereof;

[58] **Field of Search** D26/118, 128-136;

FIG. 3 is a top side elevation view thereof;

362/341, 343, 345, 346, 349, 351, 355,
356, 147, 364

FIG. 4 is a left side elevation view thereof, the right side being a mirror image;

[56] References Cited

FIG. 5 is a rear elevation view thereof; and,

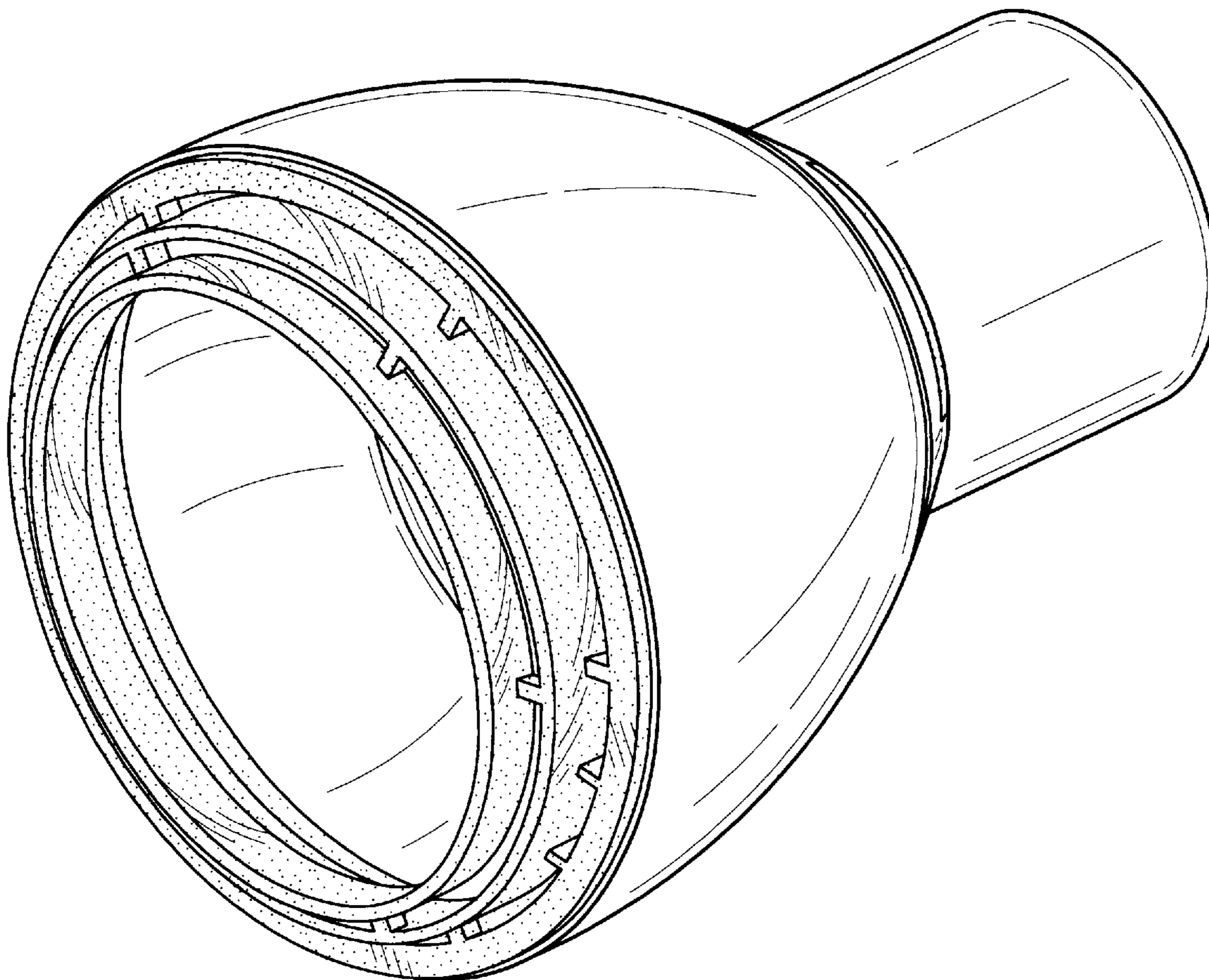
U.S. PATENT DOCUMENTS

FIG. 6 is a bottom side elevation view thereof.

2,142,395	1/1939	Herron	362/364	X
2,554,258	5/1951	Lundquist	362/364	
3,805,051	4/1974	Rambauske	362/346	
4,066,887	1/1978	Levis	362/341	X

The stippling in the drawings denotes a translucent material. The broken lines are shown in FIG. 2 for purposes of disclosure and form no part of the claimed design.

1 Claim, 6 Drawing Sheets



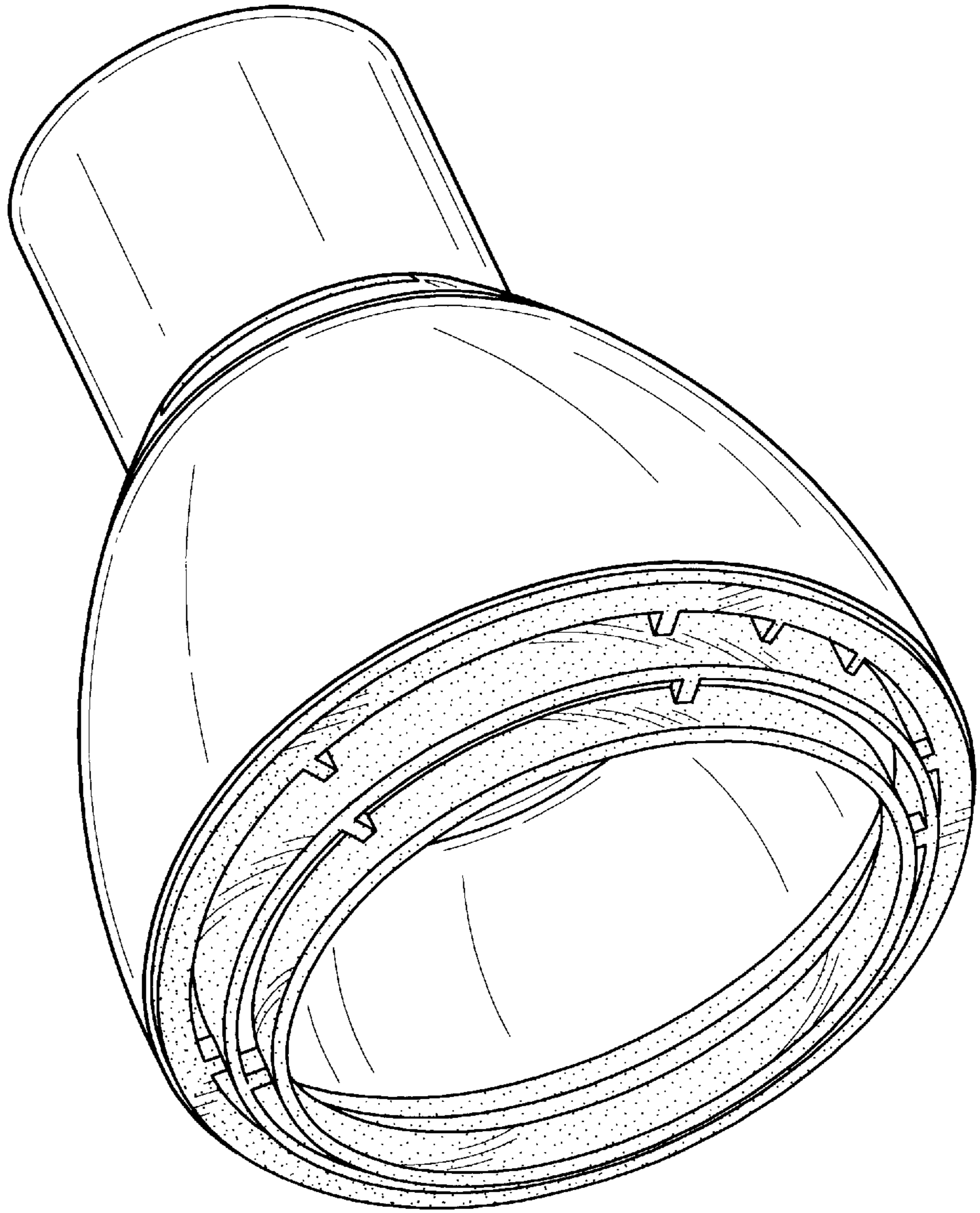


FIG-1

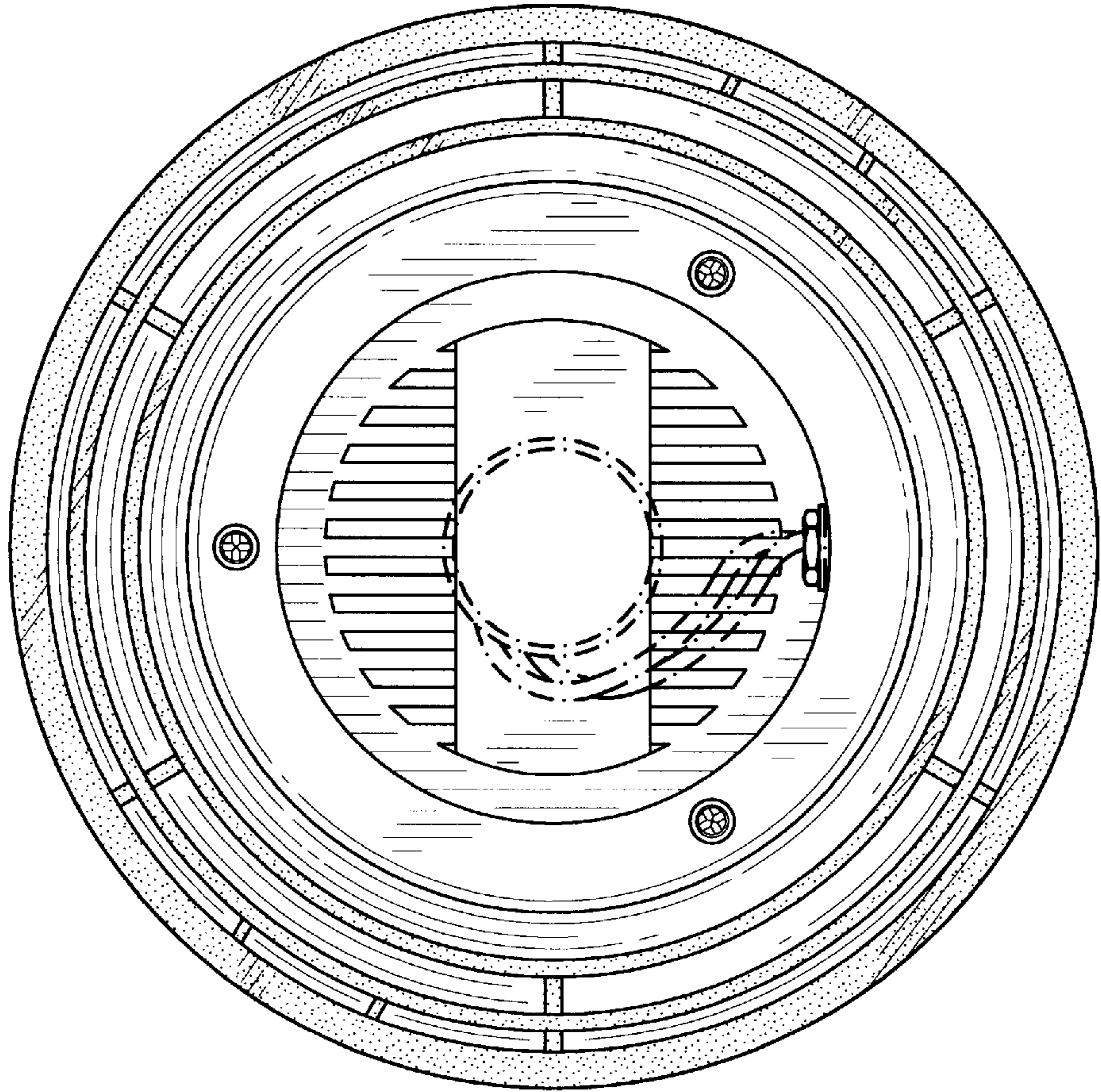


FIG-2

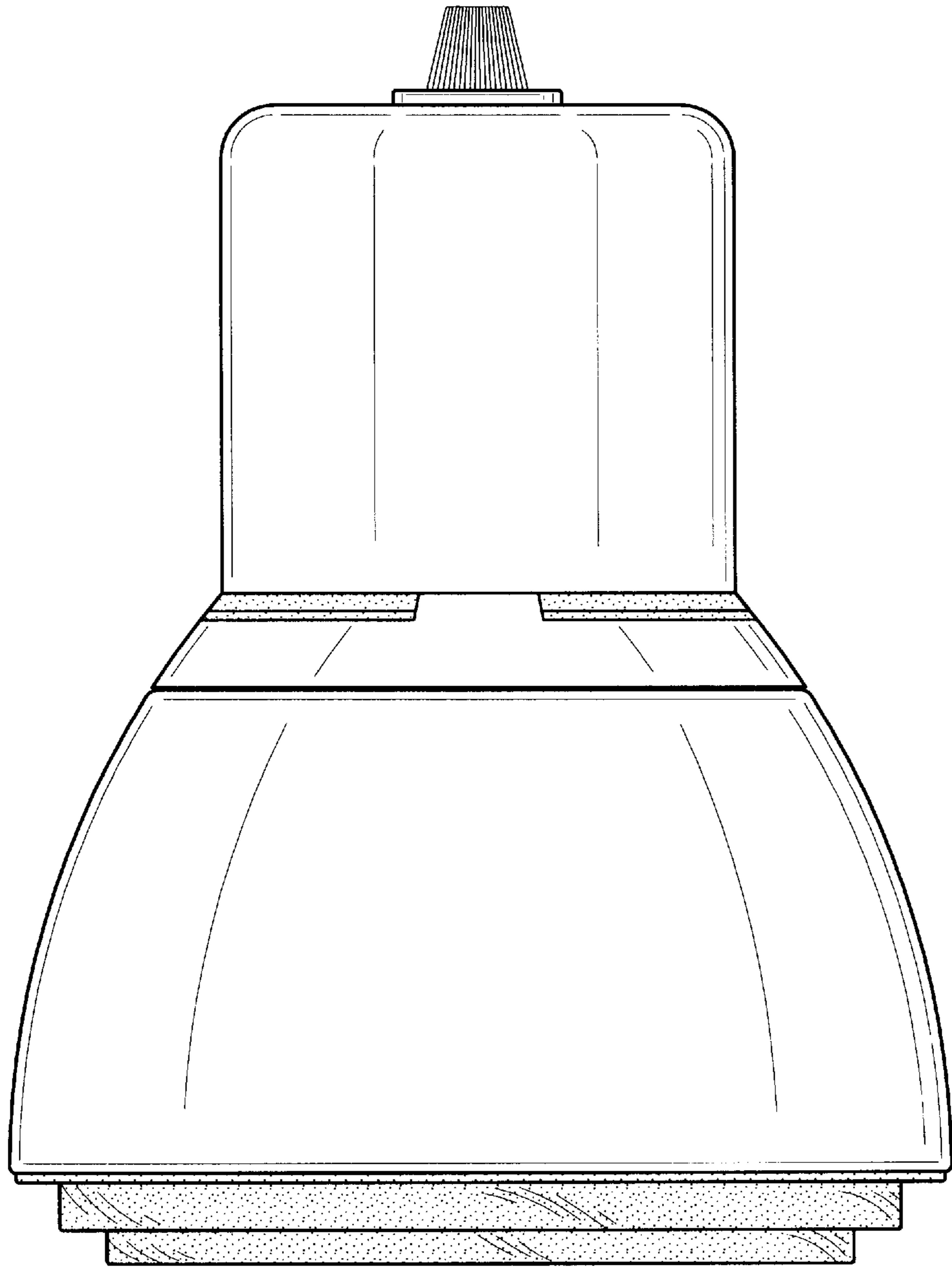


FIG-3

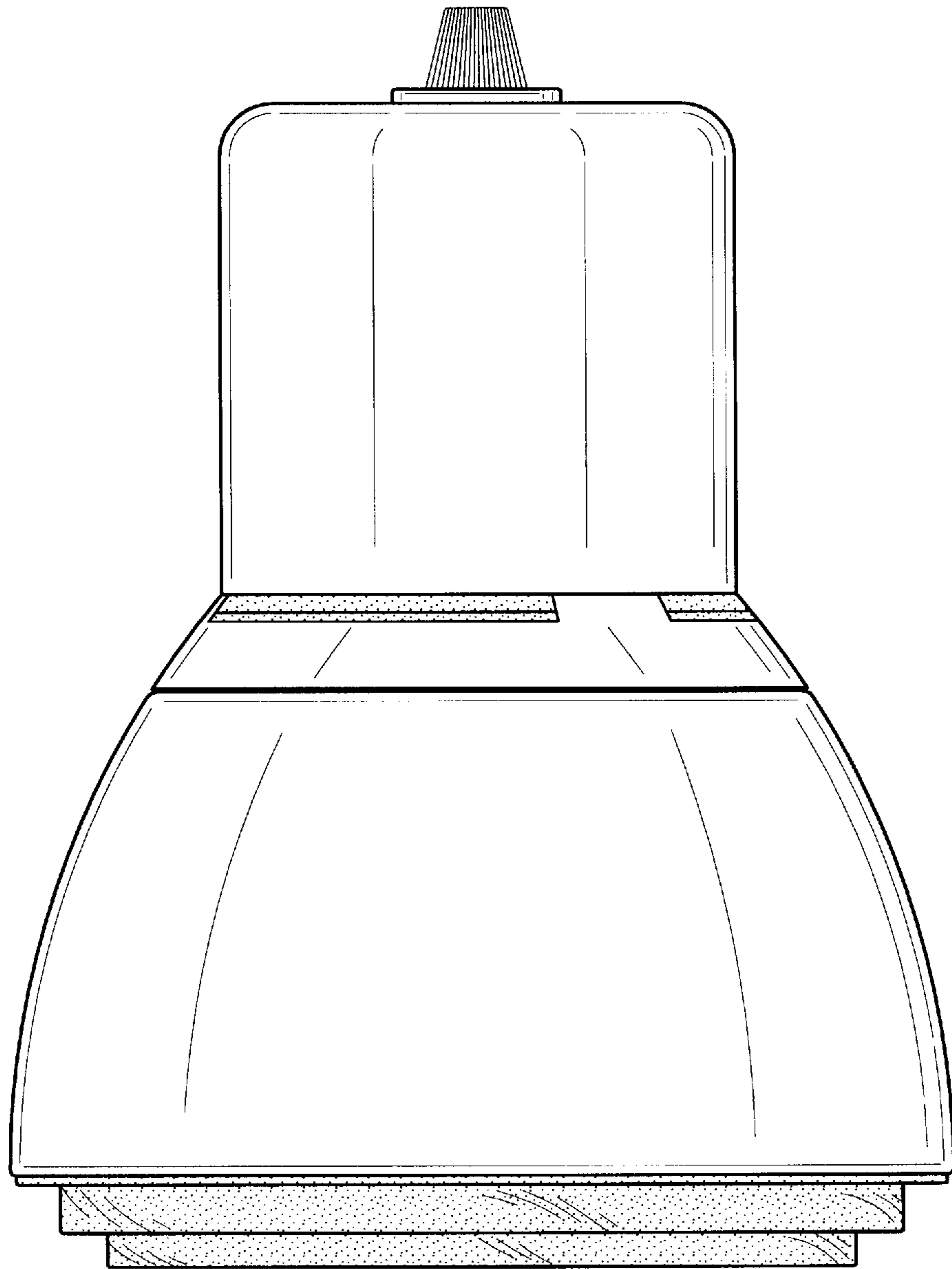


FIG-4

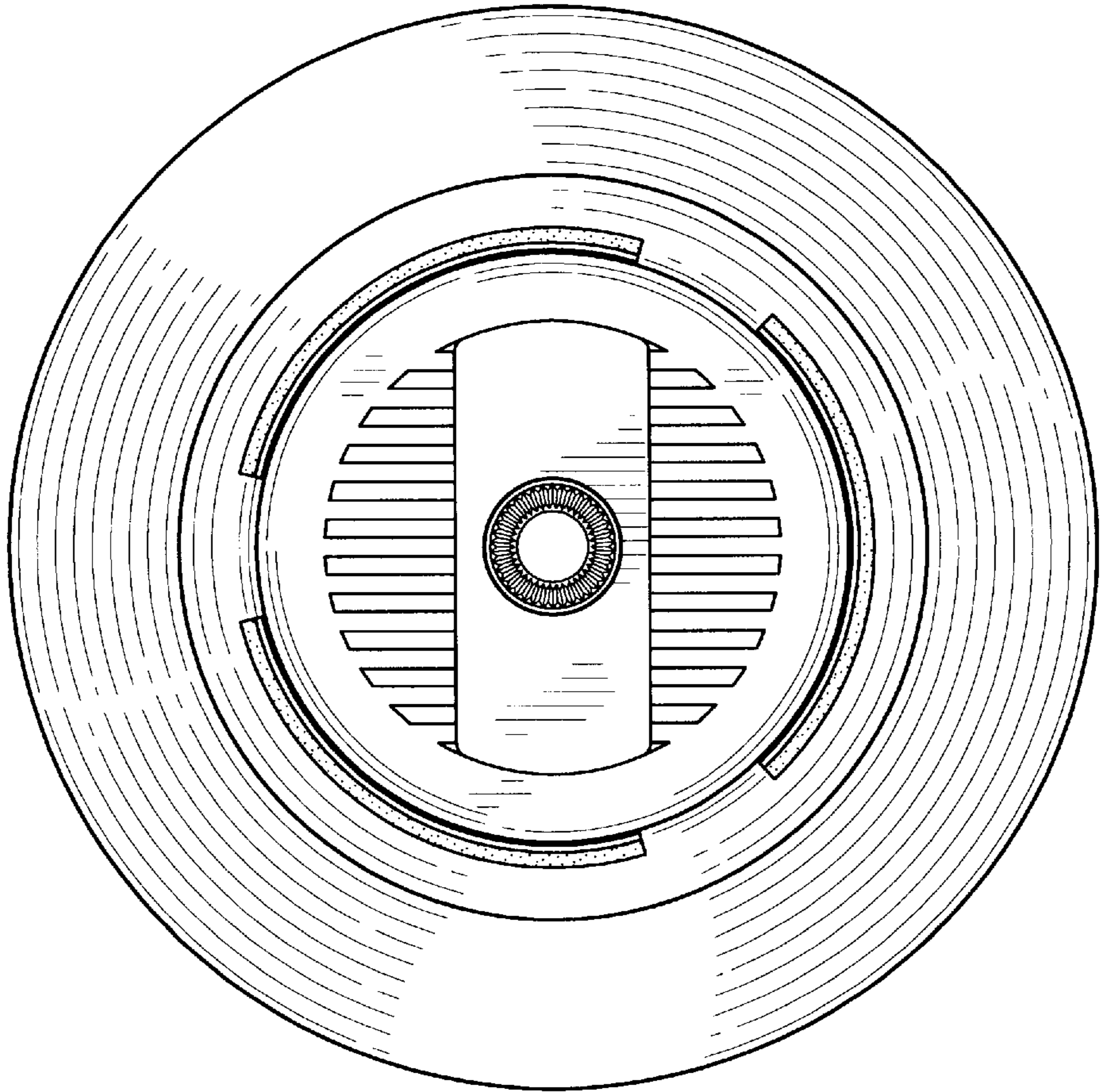


FIG-5

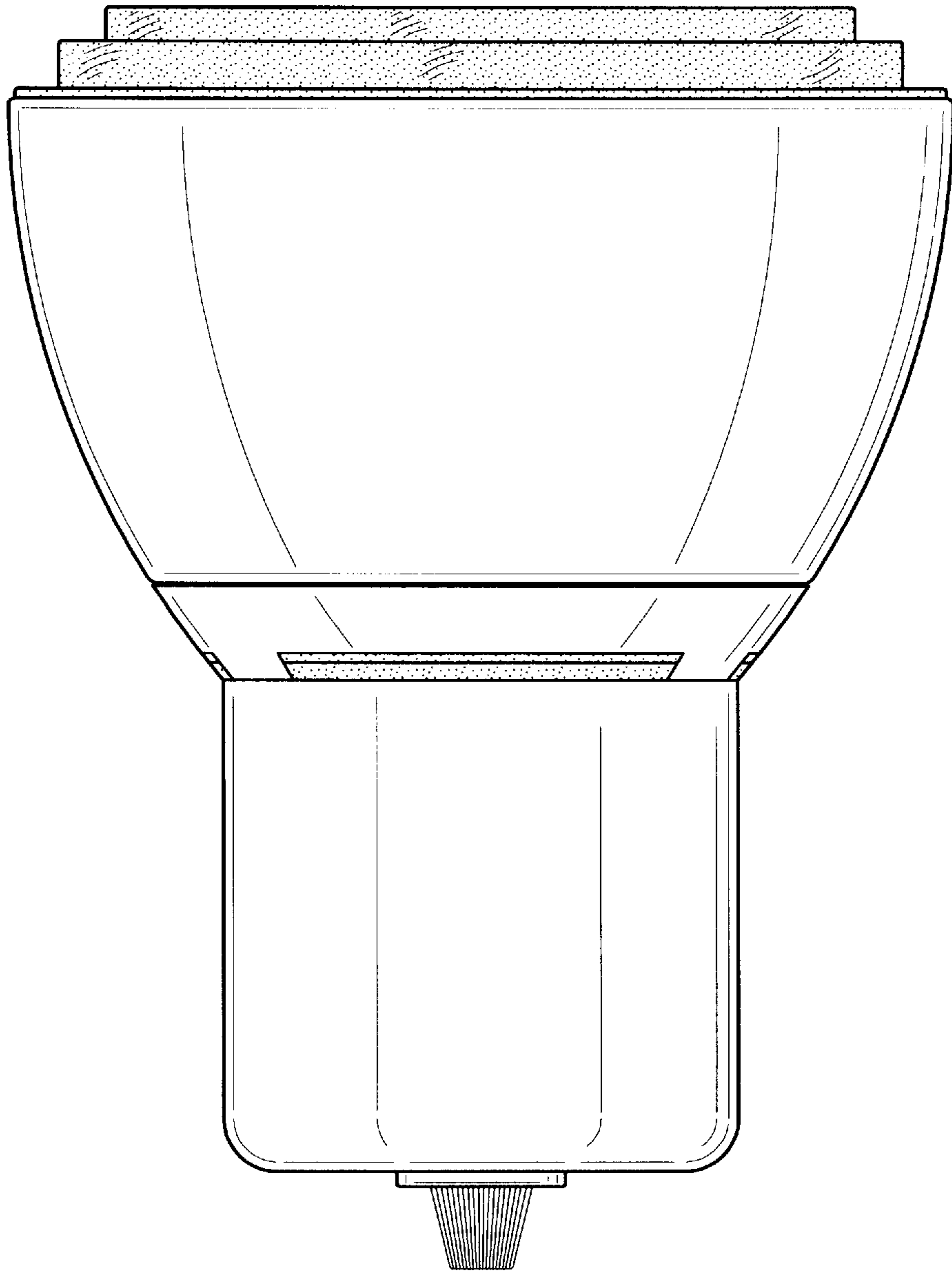


FIG-6