

US00D402772S

**United States Patent** [19]  
**Lodhie**

[11] **Patent Number: Des. 402,772**

[45] **Date of Patent: \*\*Dec. 15, 1998**

[54] **ILLUMINATOR**

[75] Inventor: **Pervaiz Lodhie**, Ranchos Palos Verdes, Calif.

[73] Assignee: **Ledtronics, Inc.**, Torrance, Calif.

[\*\*] Term: **14 Years**

[21] Appl. No.: **80,273**

[22] Filed: **Dec. 1, 1997**

[51] **LOC (6) Cl.** ..... **26-05**

[52] **U.S. Cl.** ..... **D26/26; D26/2**

[58] **Field of Search** ..... **D26/24, 26, 1, D26/2; 362/806, 236, 240, 244, 246, 249**

[56] **References Cited**

**U.S. PATENT DOCUMENTS**

D. 385,051	10/1997	Wu	.....	D26/2
D. 388,726	1/1998	Wu	.....	D26/2 X
1,800,078	4/1931	Johnson	.....	362/240
1,838,789	12/1931	Schepperle	.....	362/240
3,539,801	11/1970	Bobrick	.....	362/240 X
4,214,295	7/1980	Merton	.....	362/240 X
5,160,200	11/1992	Cheselske	.....	362/249
5,390,092	2/1995	Lin	.....	362/249 X

*Primary Examiner*—Susan J. Lucas

*Attorney, Agent, or Firm*—Blakely Sokoloff Taylor & Zafman

[57] **CLAIM**

The ornamental design for an illuminator, as shown and described.

**DESCRIPTION**

FIG. 1 is a front perspective view of the design;

FIG. 2 is a front elevation view thereof;

FIG. 3 is a rear elevation view thereof;

FIG. 4 is a right side elevation view thereof, the opposite side being a mirror image thereof;

FIG. 5 is a bottom plan view thereof;

FIG. 6 is a top plan view thereof;

FIG. 7 is a front perspective view of a second alternate embodiment thereof;

FIG. 8 is a front elevation view of the second alternate embodiment thereof;

FIG. 9 is a rear elevation view of the second alternate embodiment thereof;

FIG. 10 is a right side elevation view of the second embodiment thereof, the opposite side being a mirror image thereof;

FIG. 11 is a bottom plan view of the second embodiment thereof;

FIG. 12 is a top plan view of the second embodiment thereof;

FIG. 13 is a front perspective view of a third alternate embodiment thereof;

FIG. 14 is a front elevation view of the third alternate embodiment thereof;

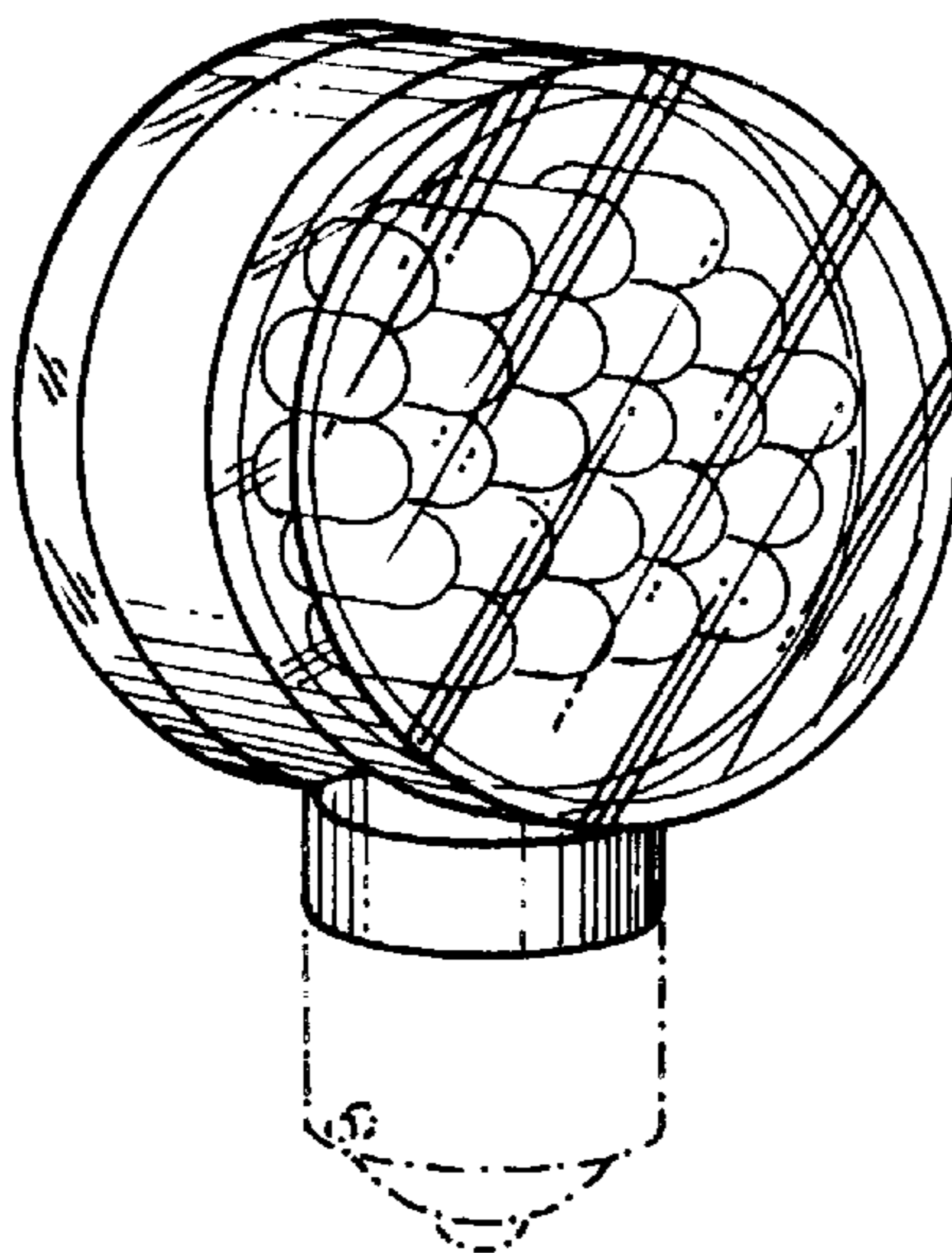
FIG. 15 is a rear elevation view of the third alternate embodiment thereof;

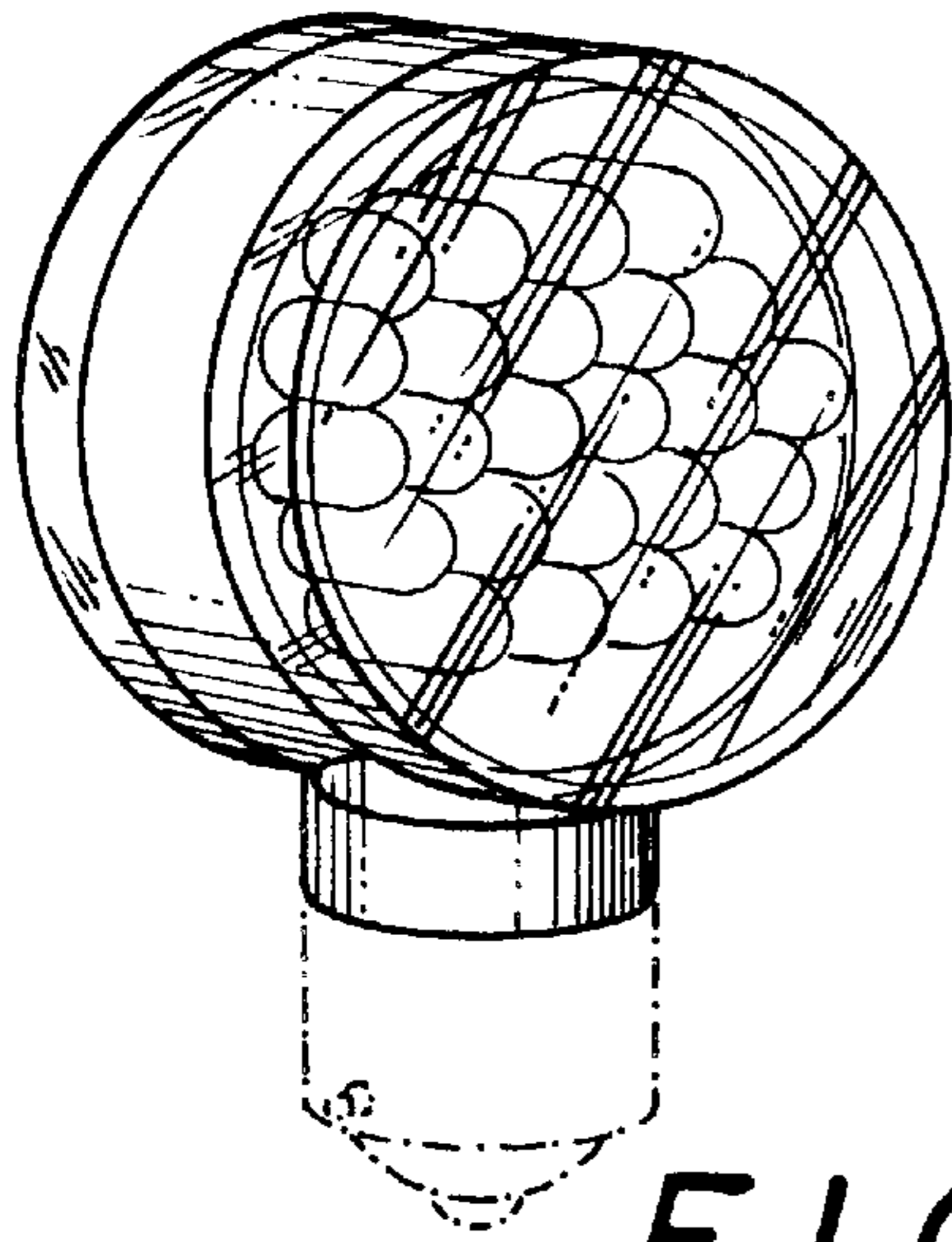
FIG. 16 is a right side elevation view of the third embodiment thereof, the opposite side being a mirror image thereof;

FIG. 17 is a bottom plan view of the third embodiment thereof; and,

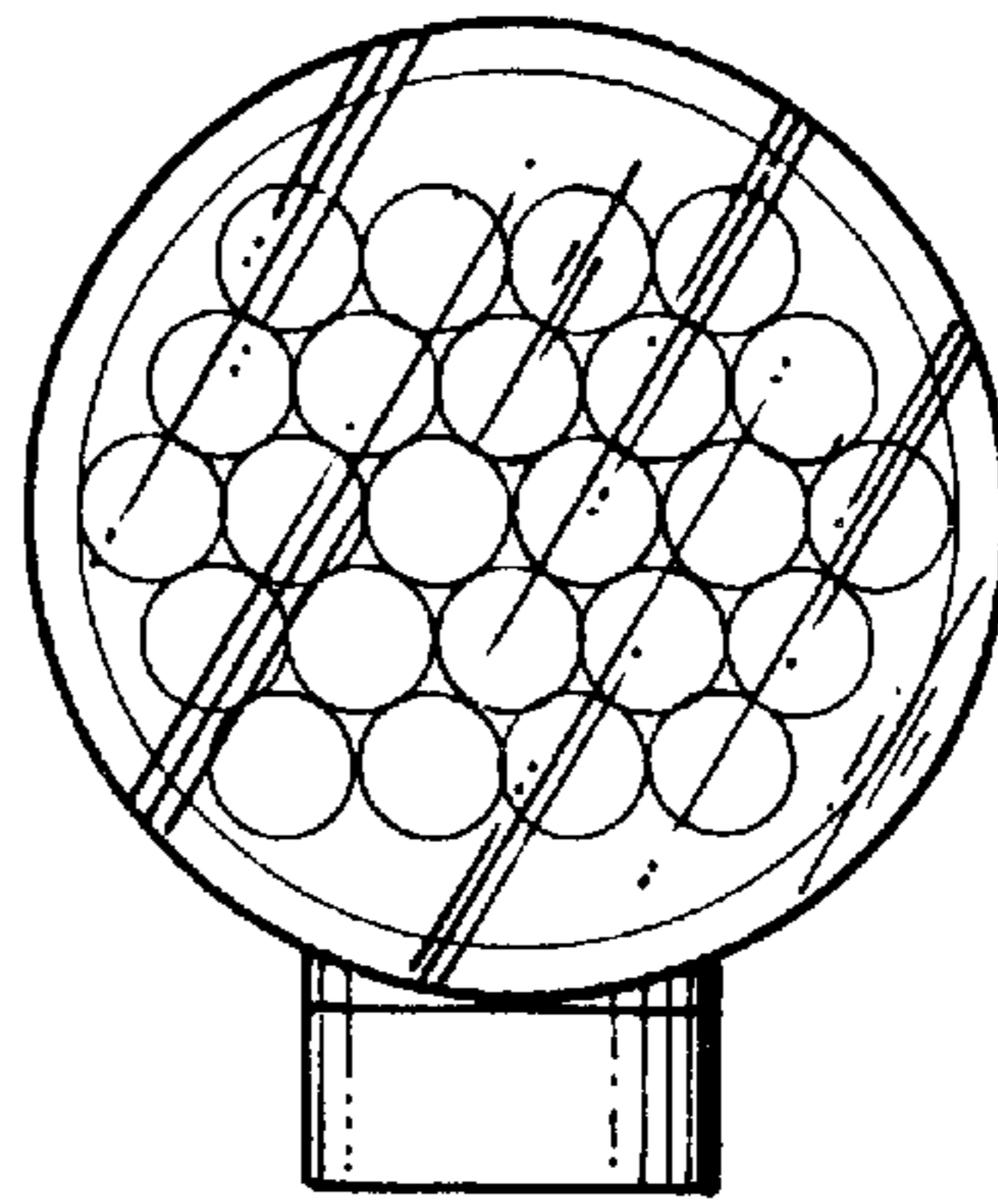
FIG. 18 is a top plan view of the third embodiment thereof.

**1 Claim, 3 Drawing Sheets**

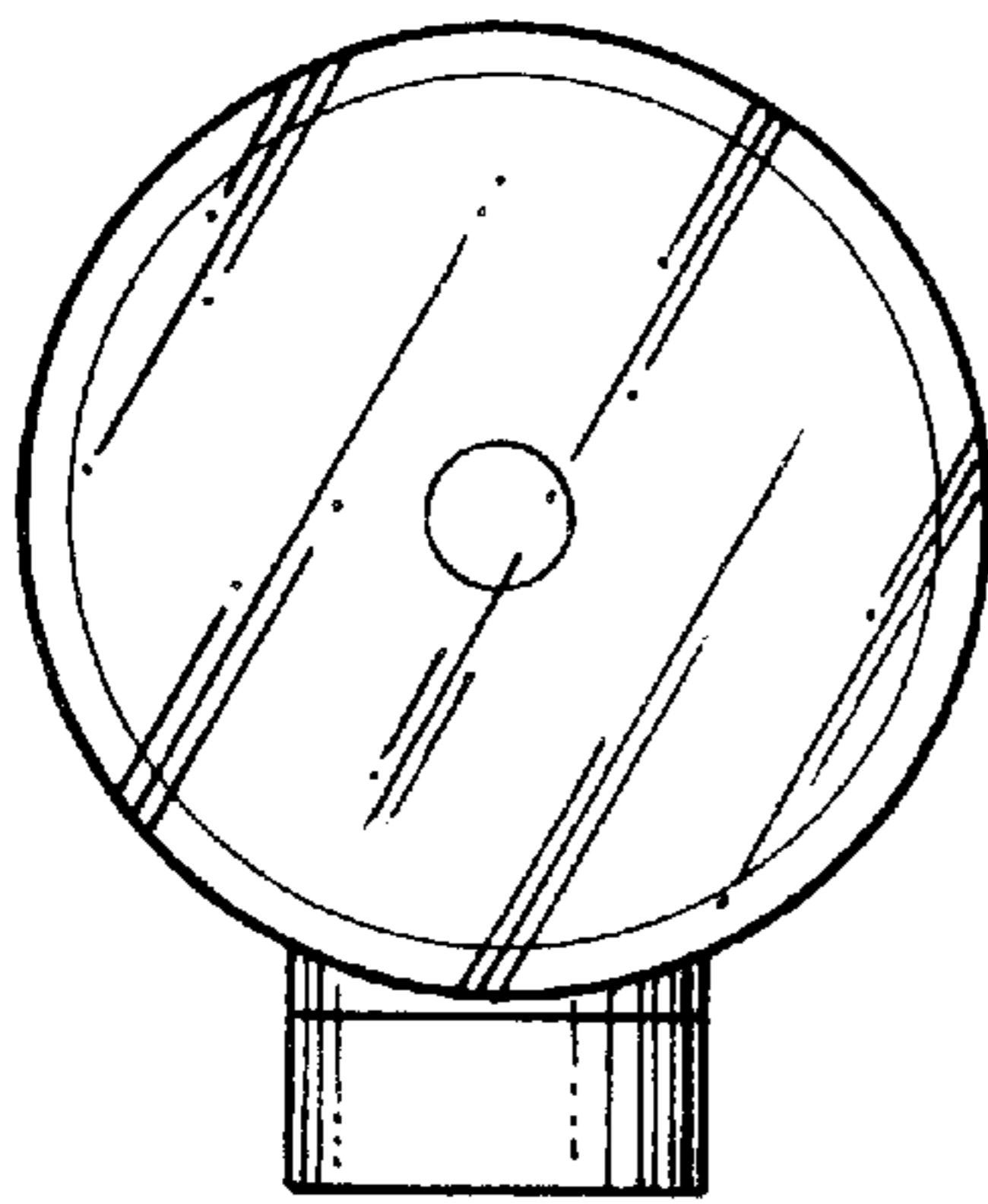




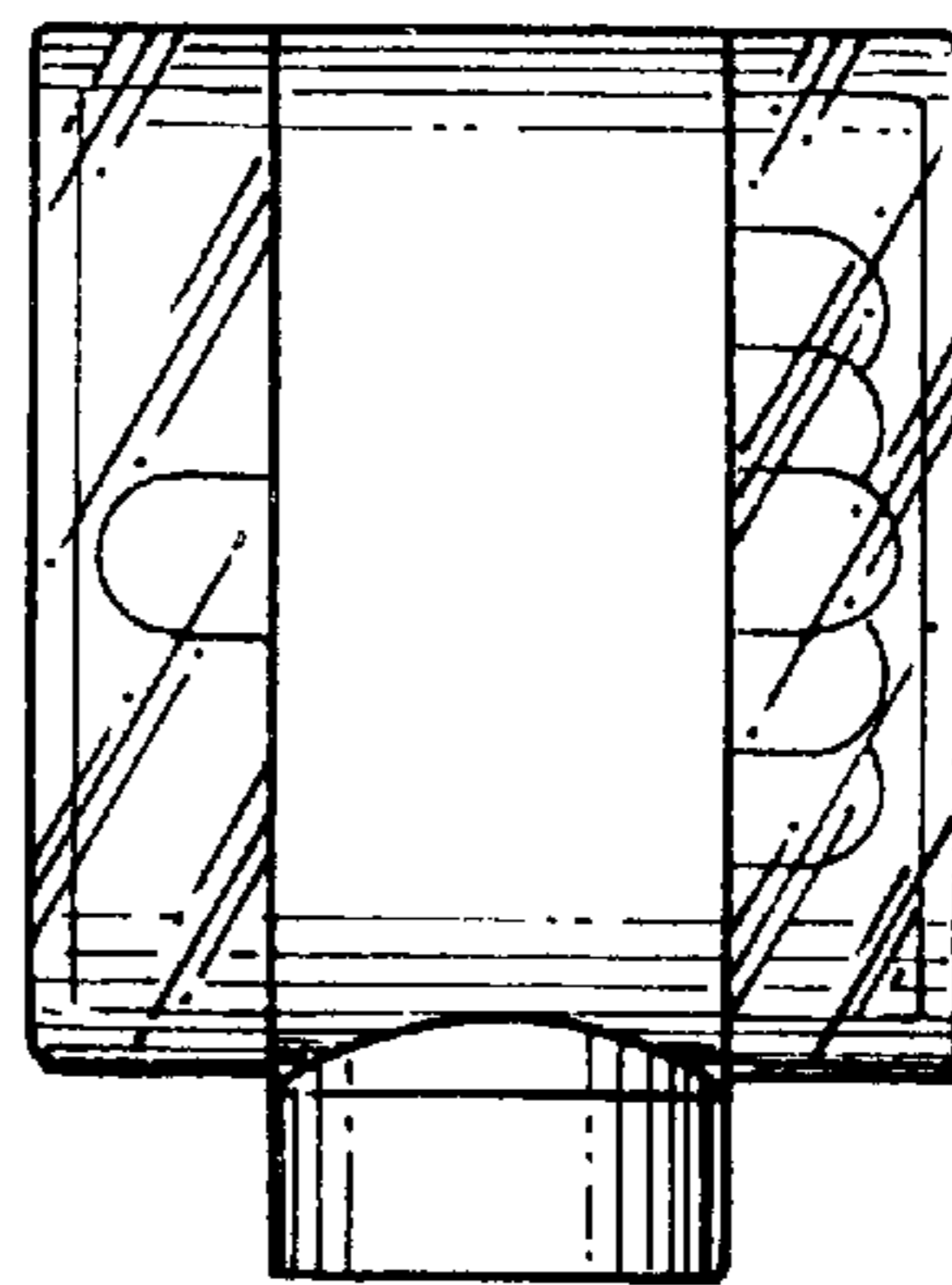
*FIG. 1*



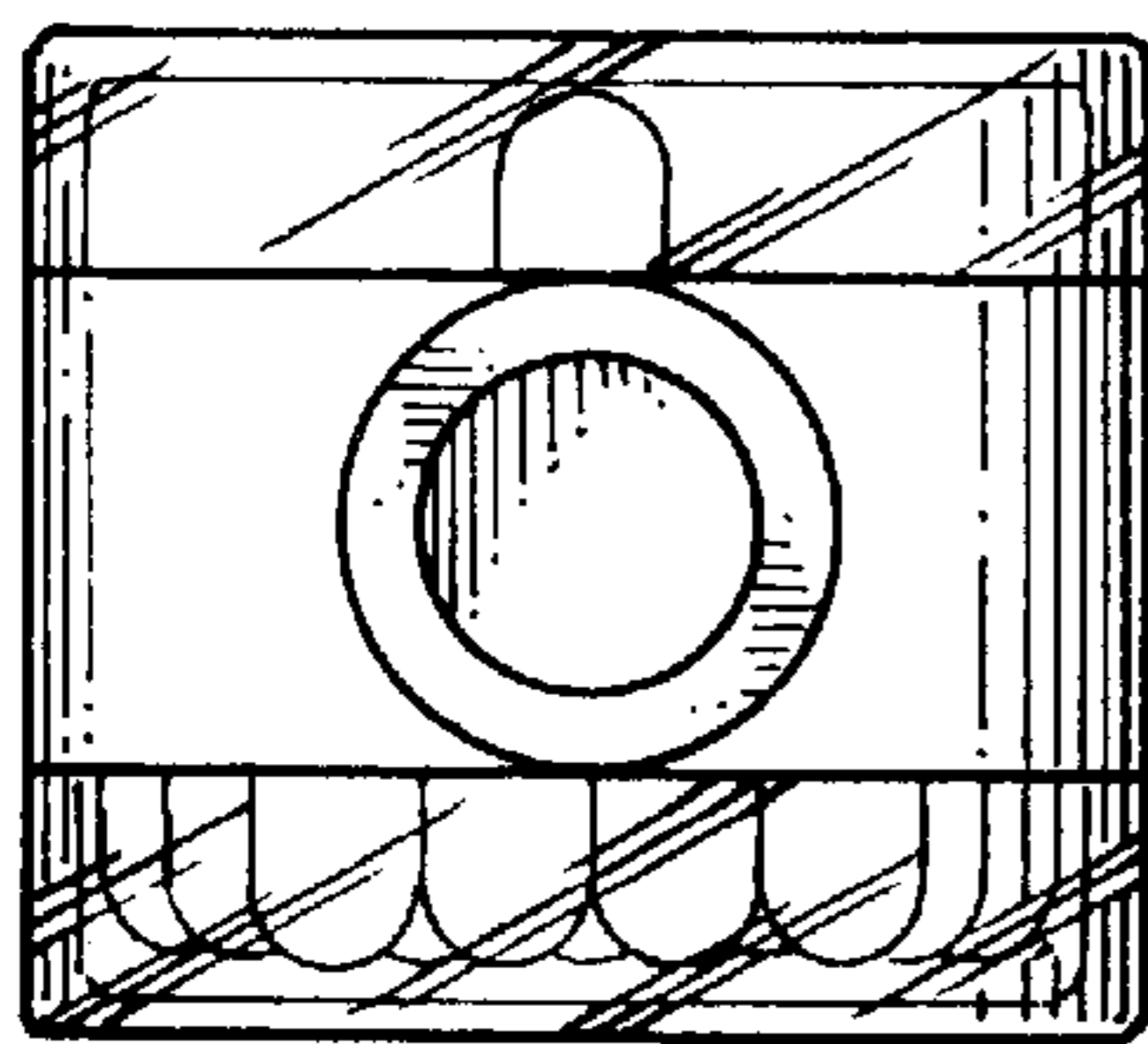
*FIG. 2*



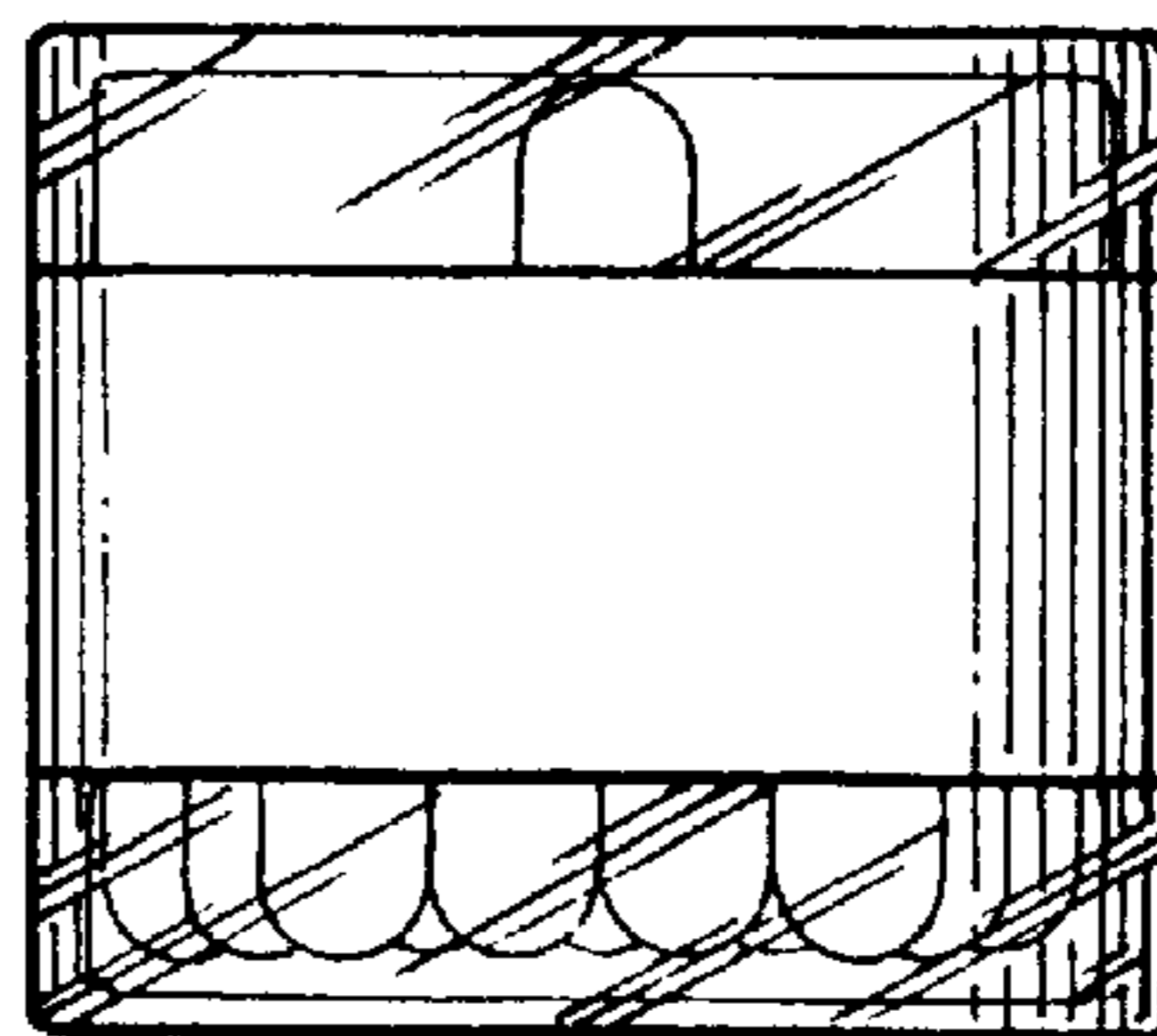
*FIG. 3*



*FIG. 4*



*FIG. 5*



*FIG. 6*

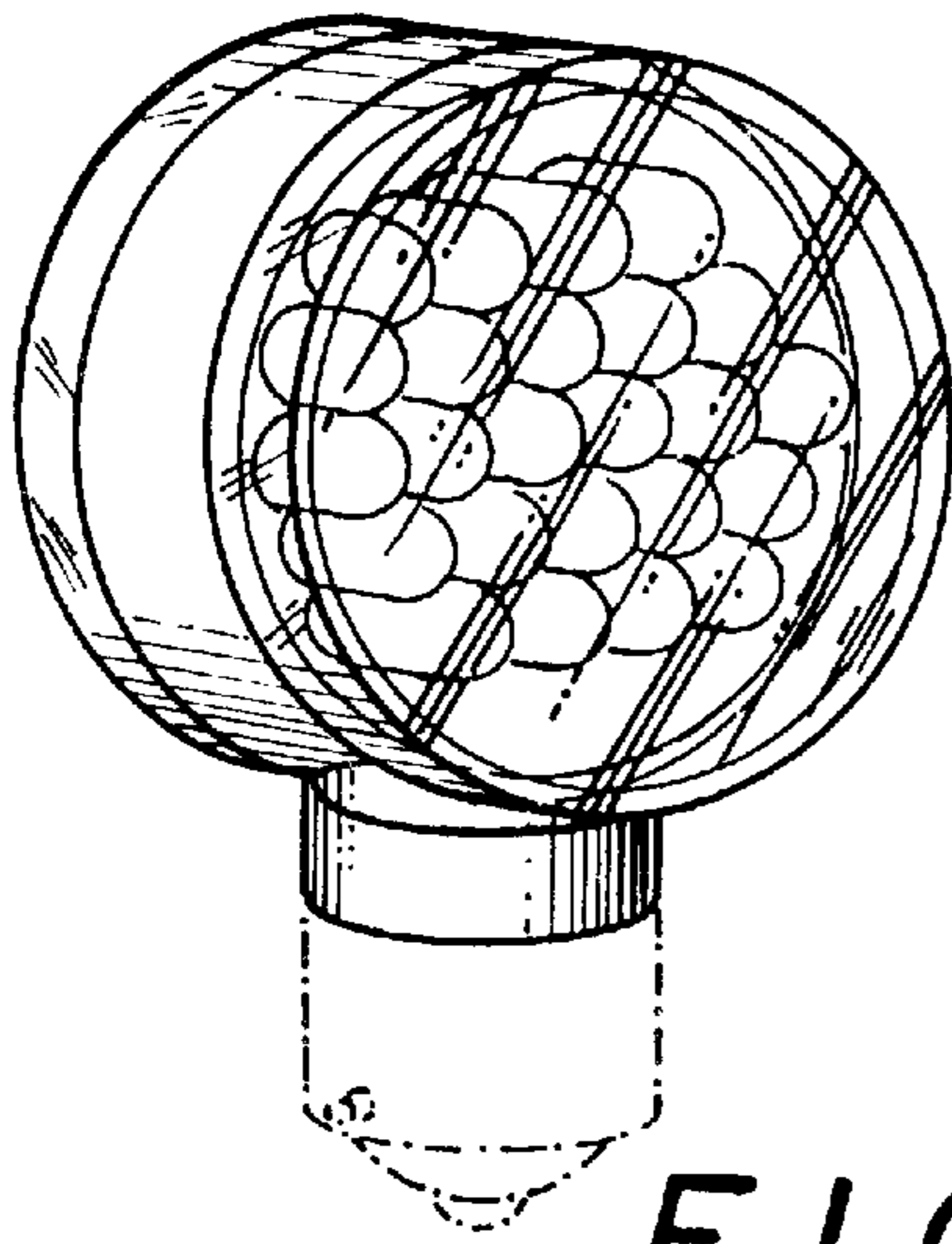


FIG. 7

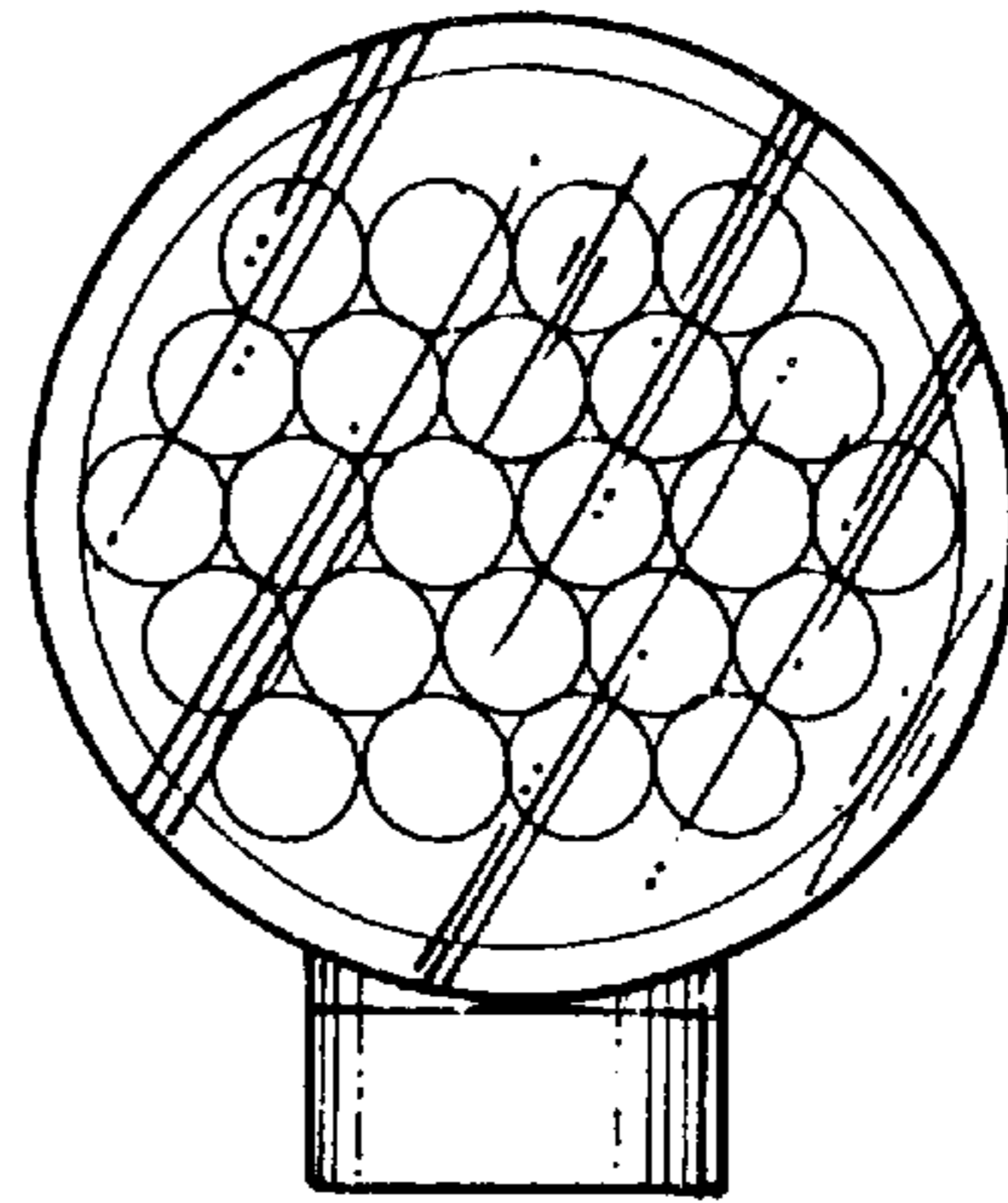


FIG. 8

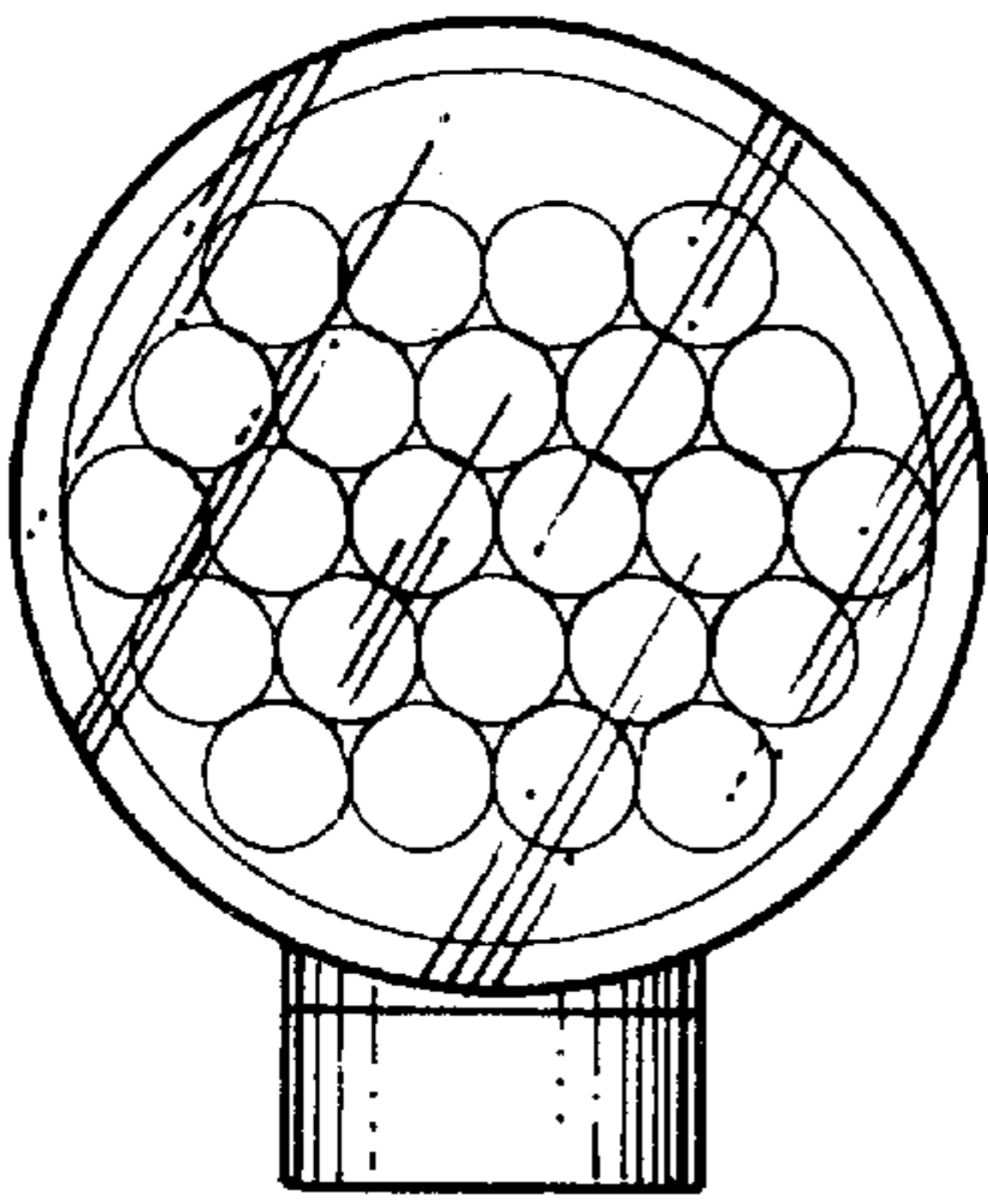


FIG. 9

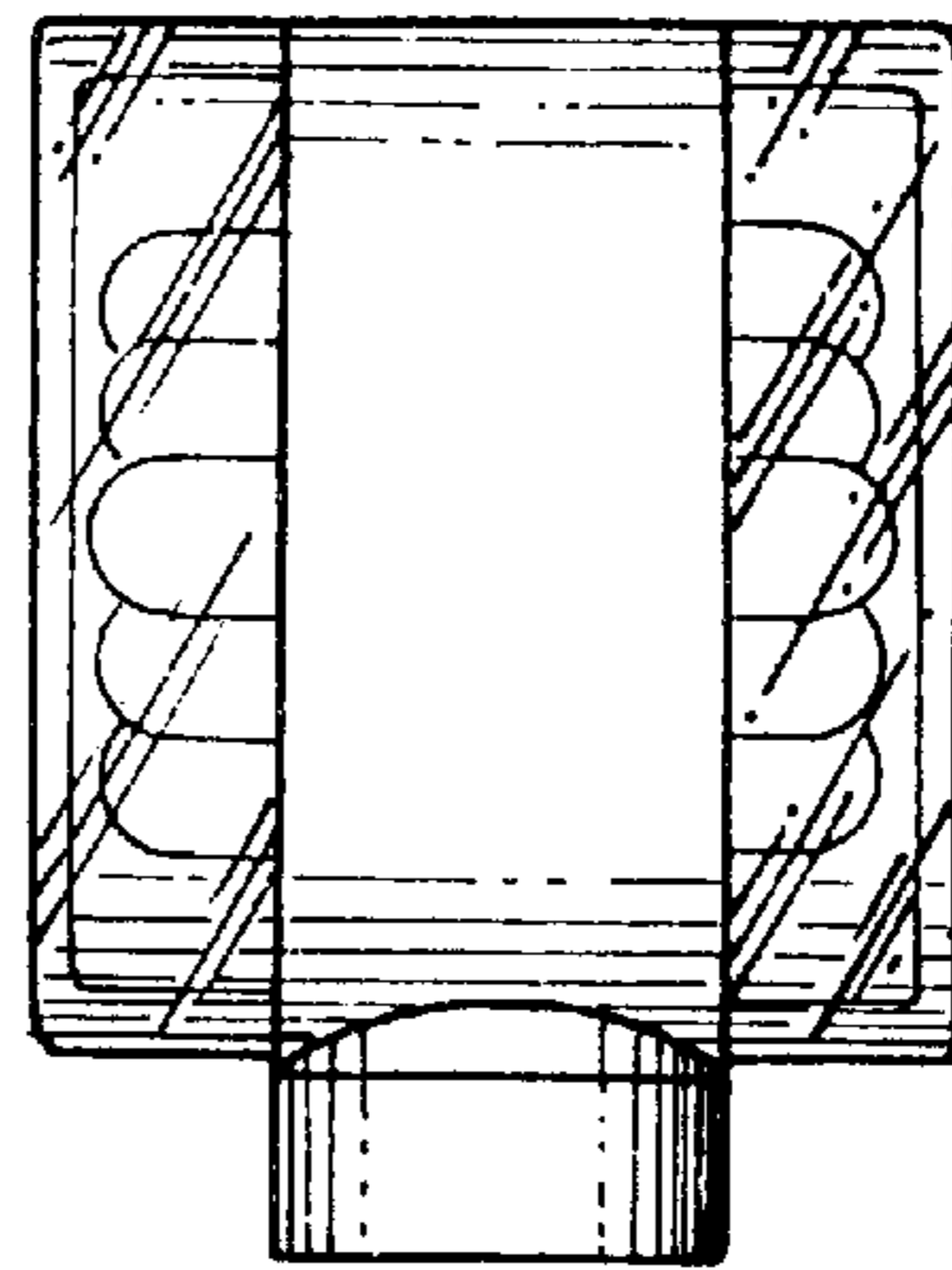


FIG. 10

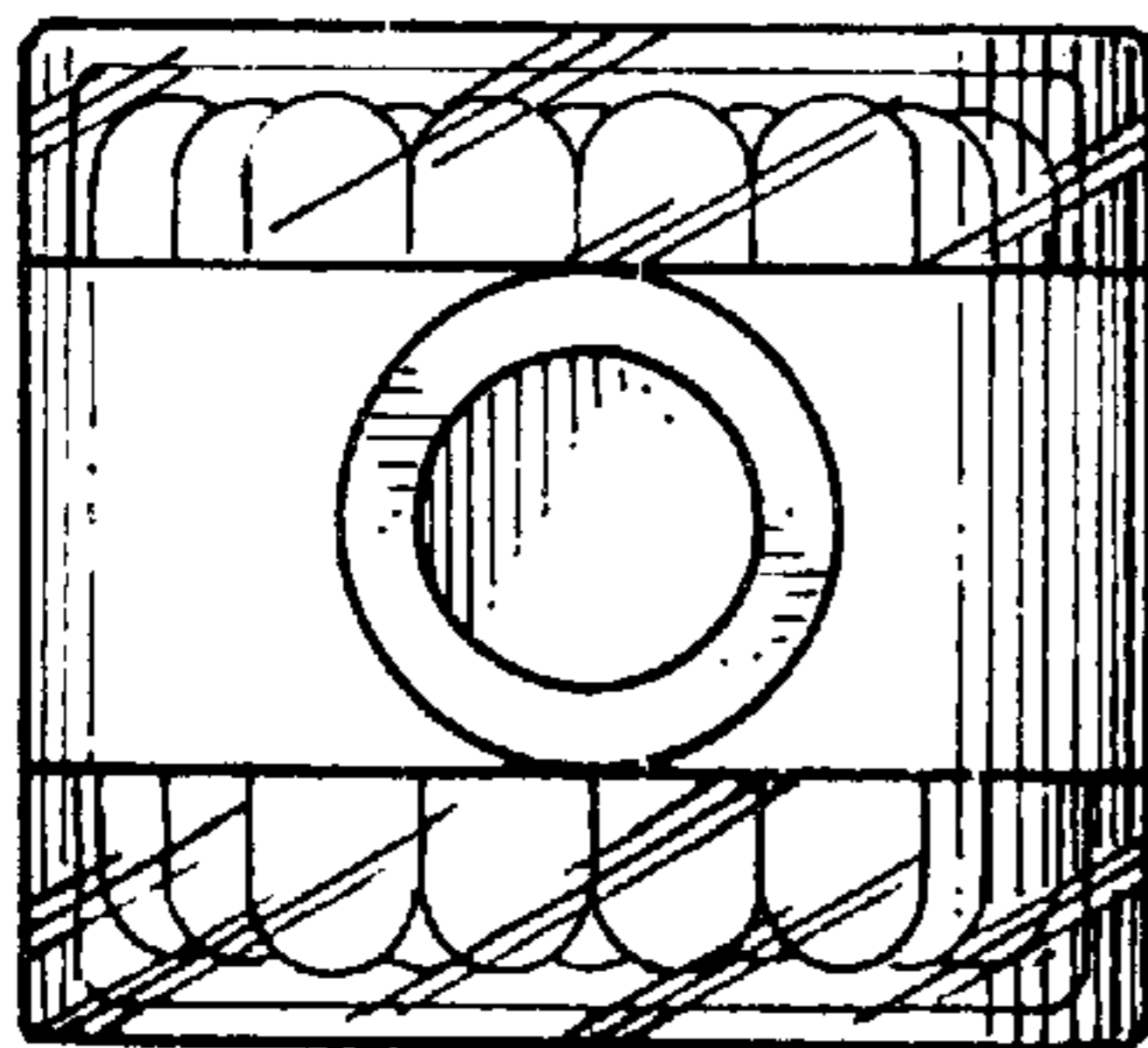


FIG. 11

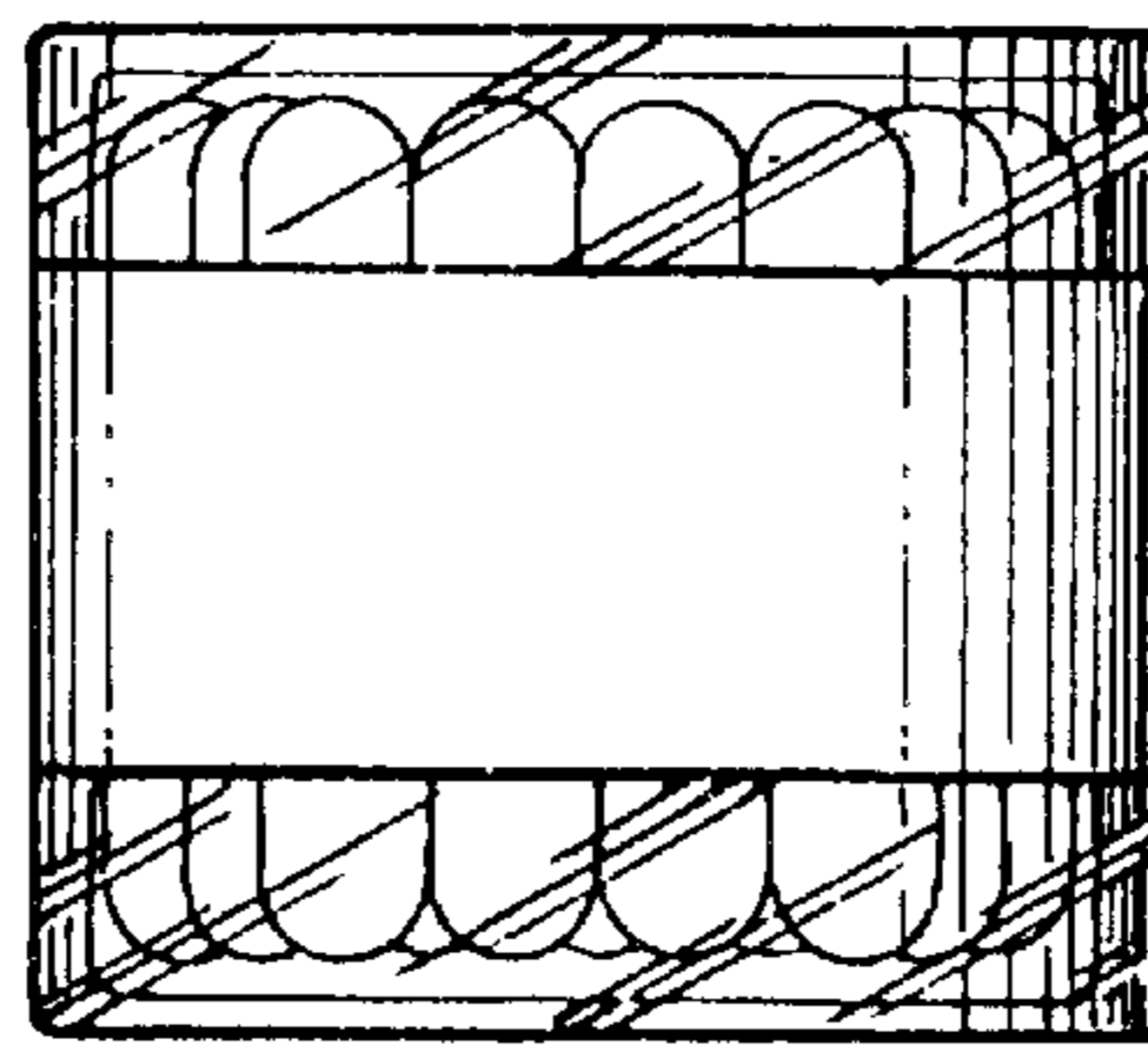


FIG. 12

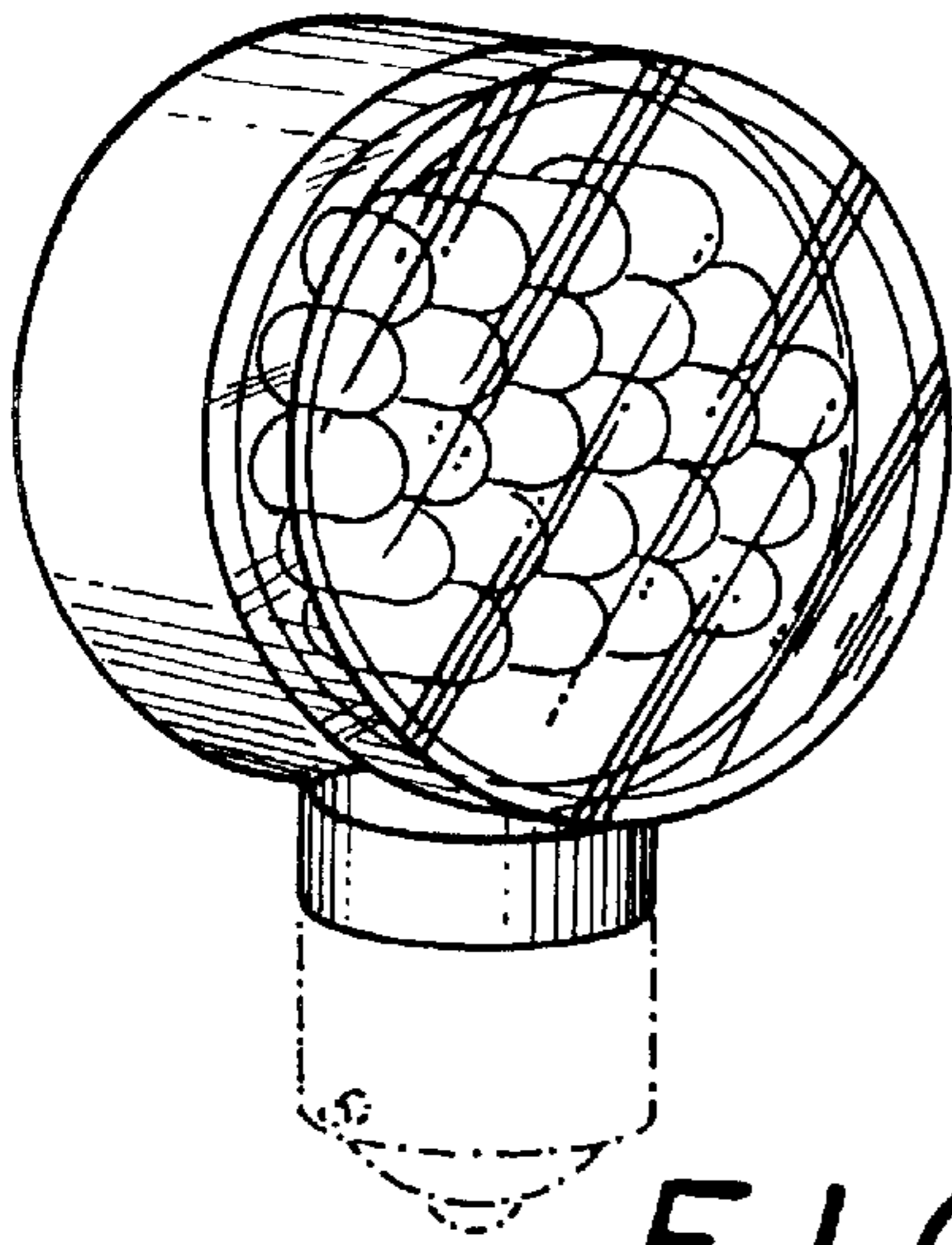


FIG. 13

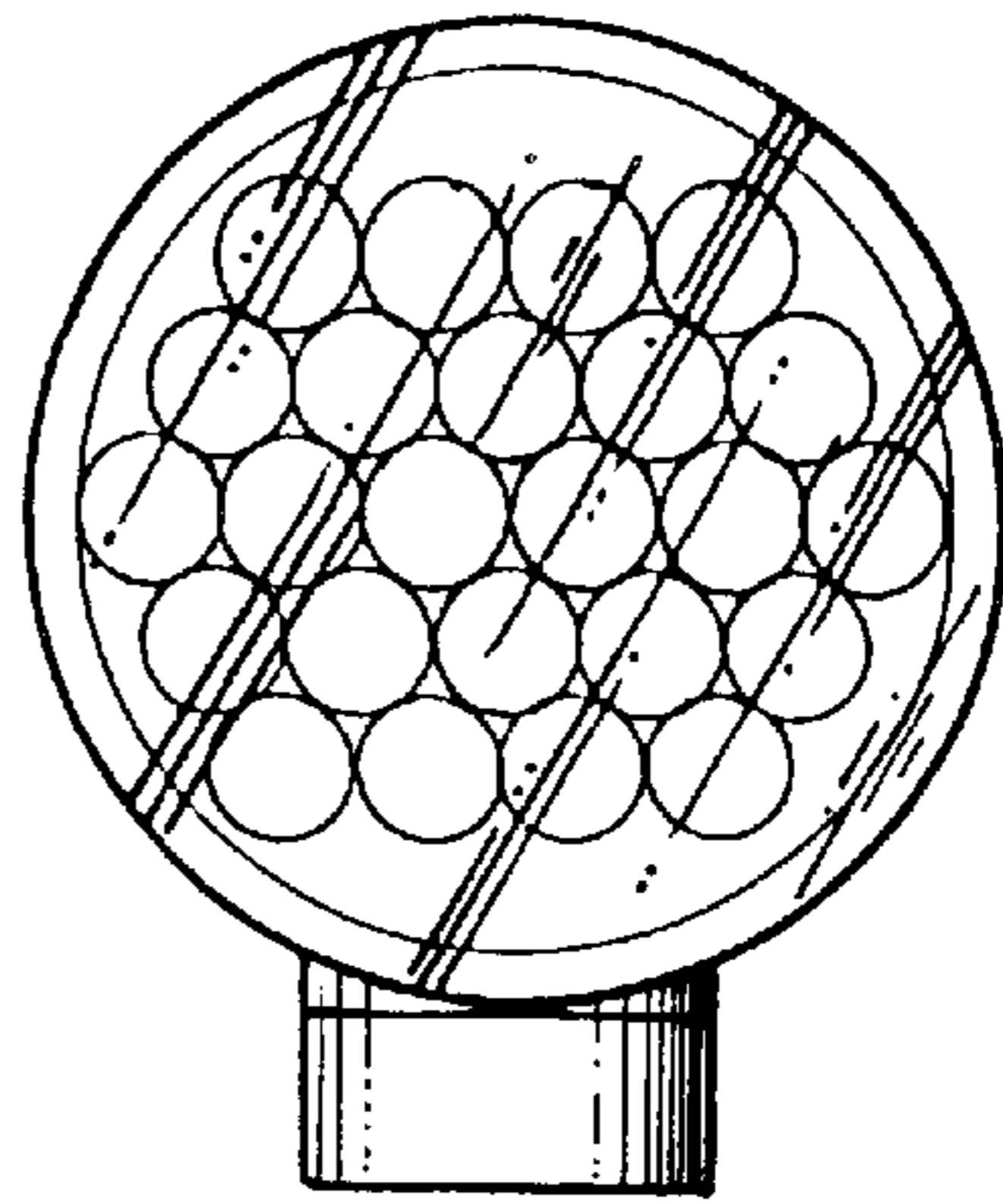


FIG. 14

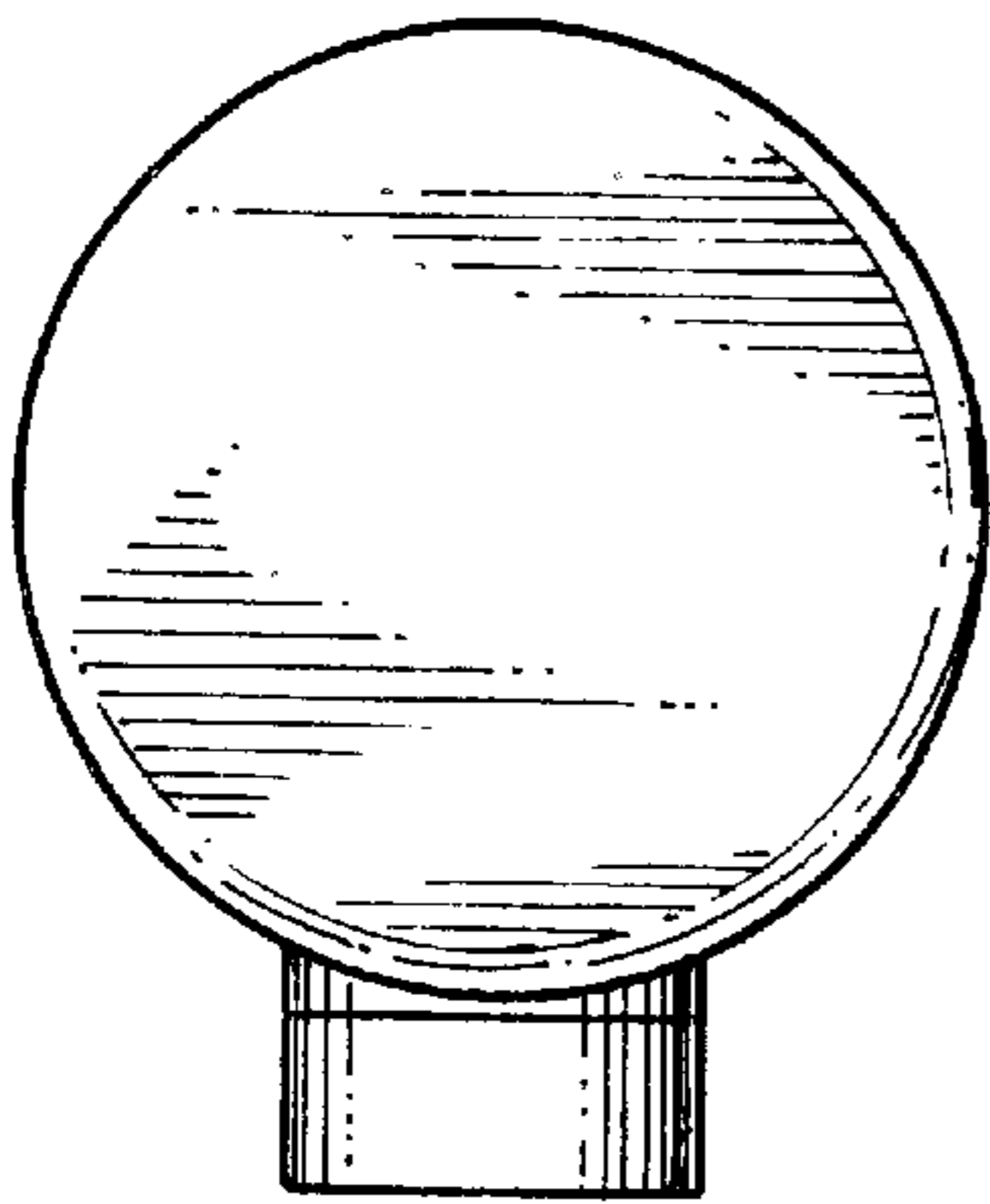


FIG. 15

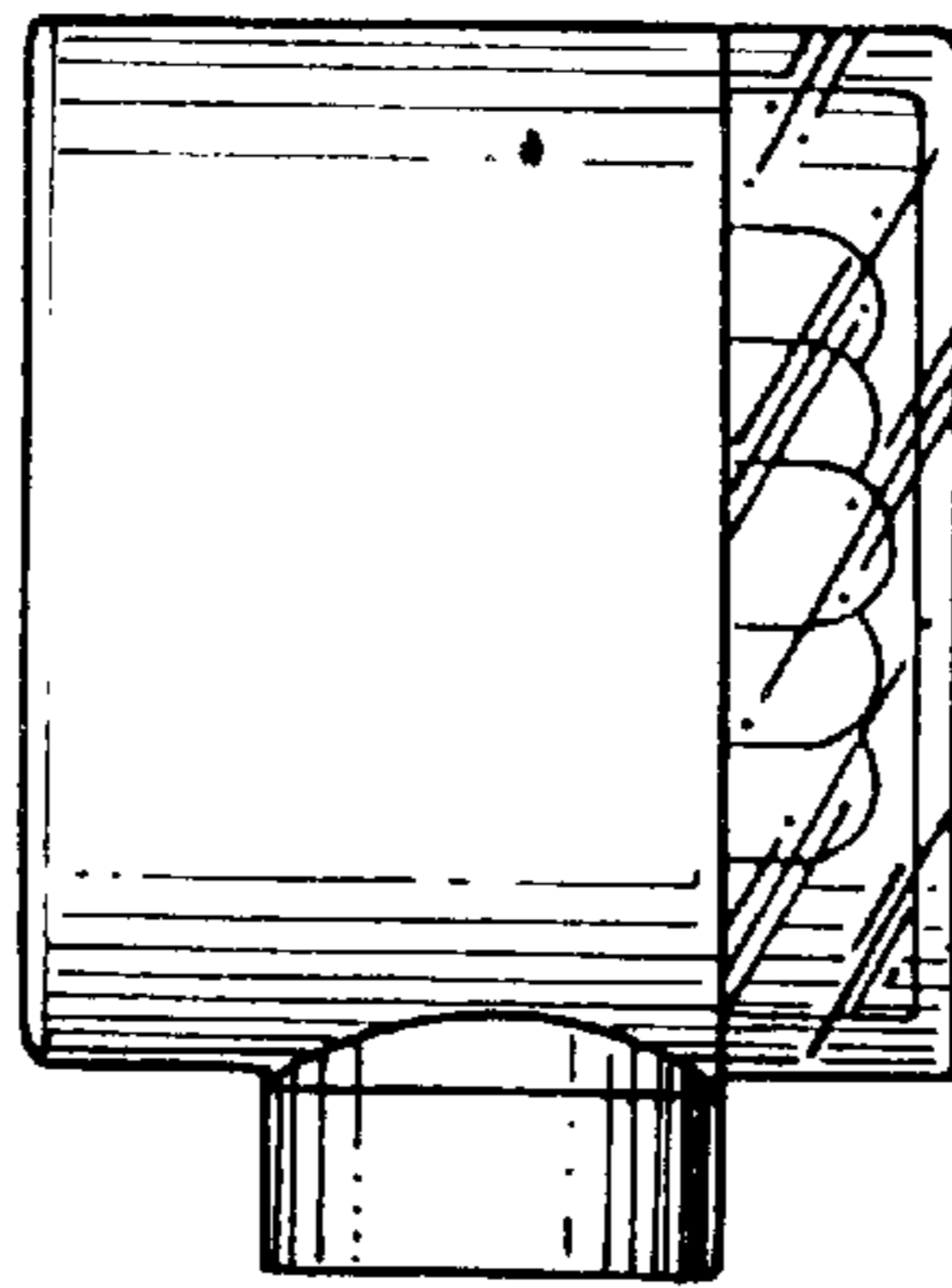


FIG. 16

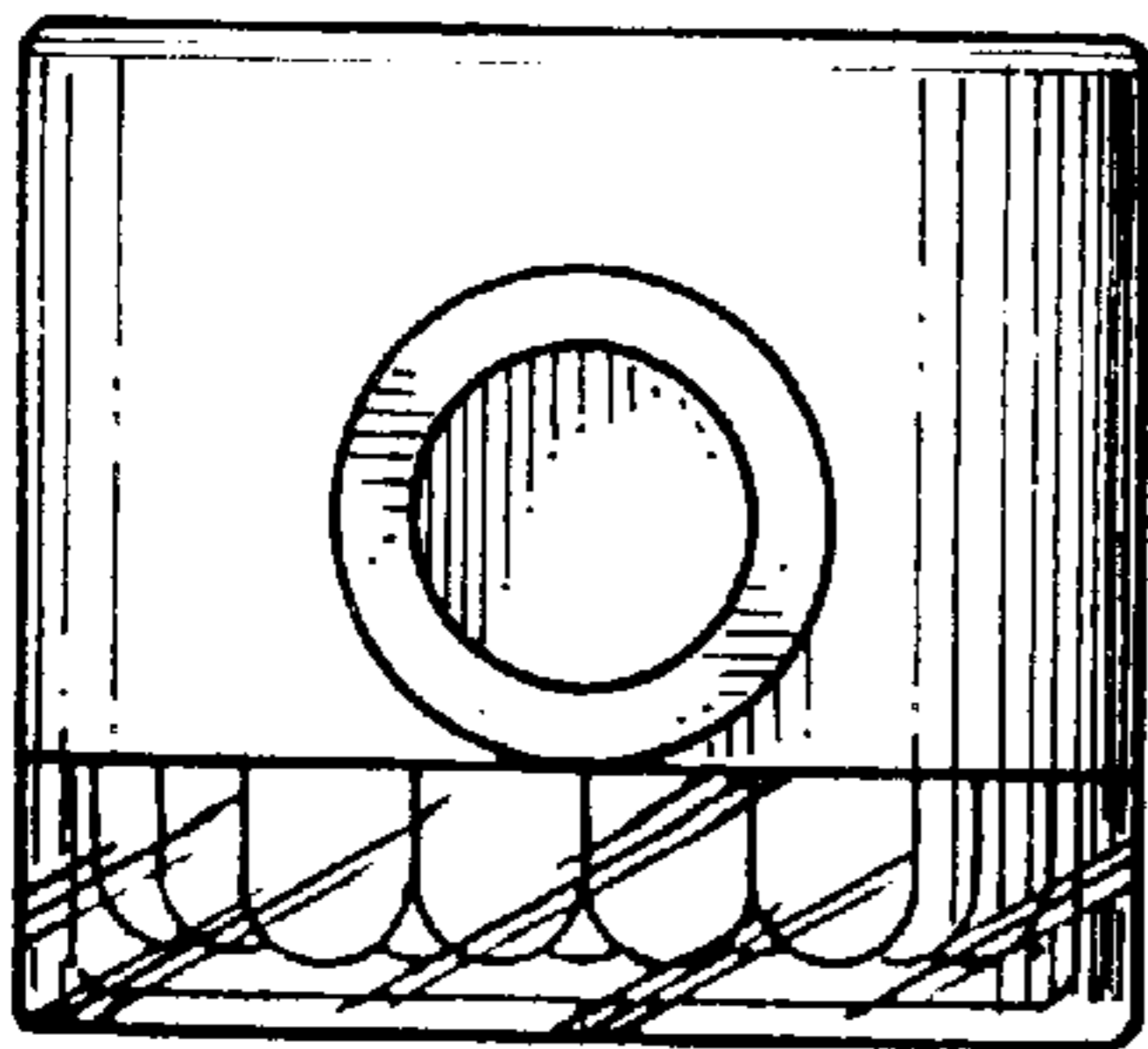


FIG. 17

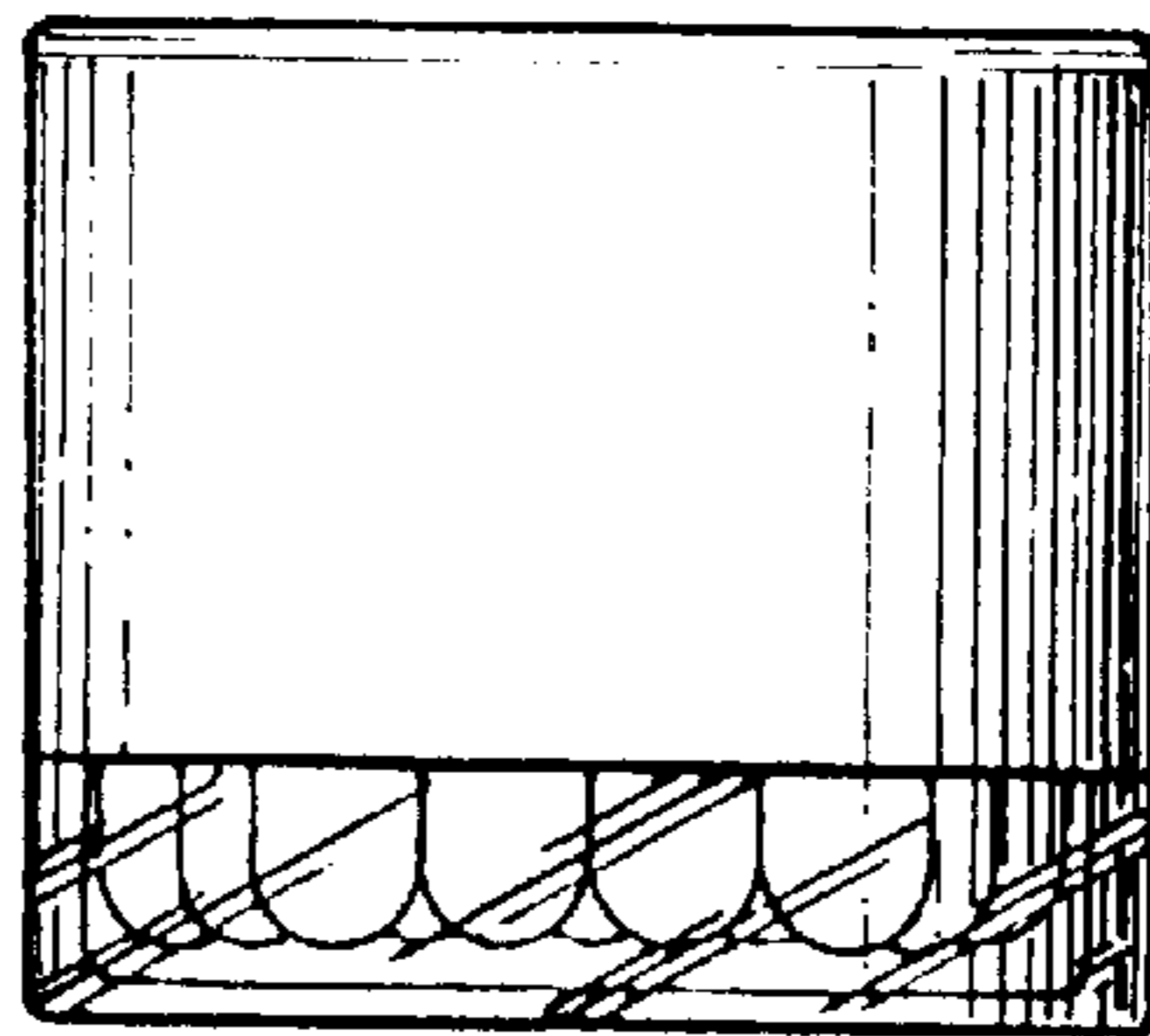


FIG. 18