



US00D402769S

United States Patent [19] Lord

[11] Patent Number: Des. 402,769

[45] Date of Patent: **Dec. 15, 1998

[54] SINGLE HANDLE FAUCET

D. 368,764 4/1996 Hill et al. .
D. 388,156 12/1997 Hill et al. .

[75] Inventor: Judd A. Lord, Carmel, Ind.

OTHER PUBLICATIONS

[73] Assignee: Masco Corporation of Indiana,
Indianapolis, Ind.

Delta Full Line Catalog, 1991.
Delta Full Line Catalog, 1994.

[**] Term: 14 Years

Primary Examiner—Louis S. Zarfes
Assistant Examiner—Eric Watterson
Attorney, Agent, or Firm—Myron B. Kapustij; Malcolm L. Sutherland

[21] Appl. No.: 82,879

[22] Filed: Jan. 30, 1998

[51] LOC (6) Cl. 23-01

[52] U.S. Cl. D23/238

[58] Field of Search D23/238-243,
D23/250-257; 4/675-678; 137/801

[57] CLAIM

The ornamental design for a single handle faucet, as shown and described.

[56] References Cited

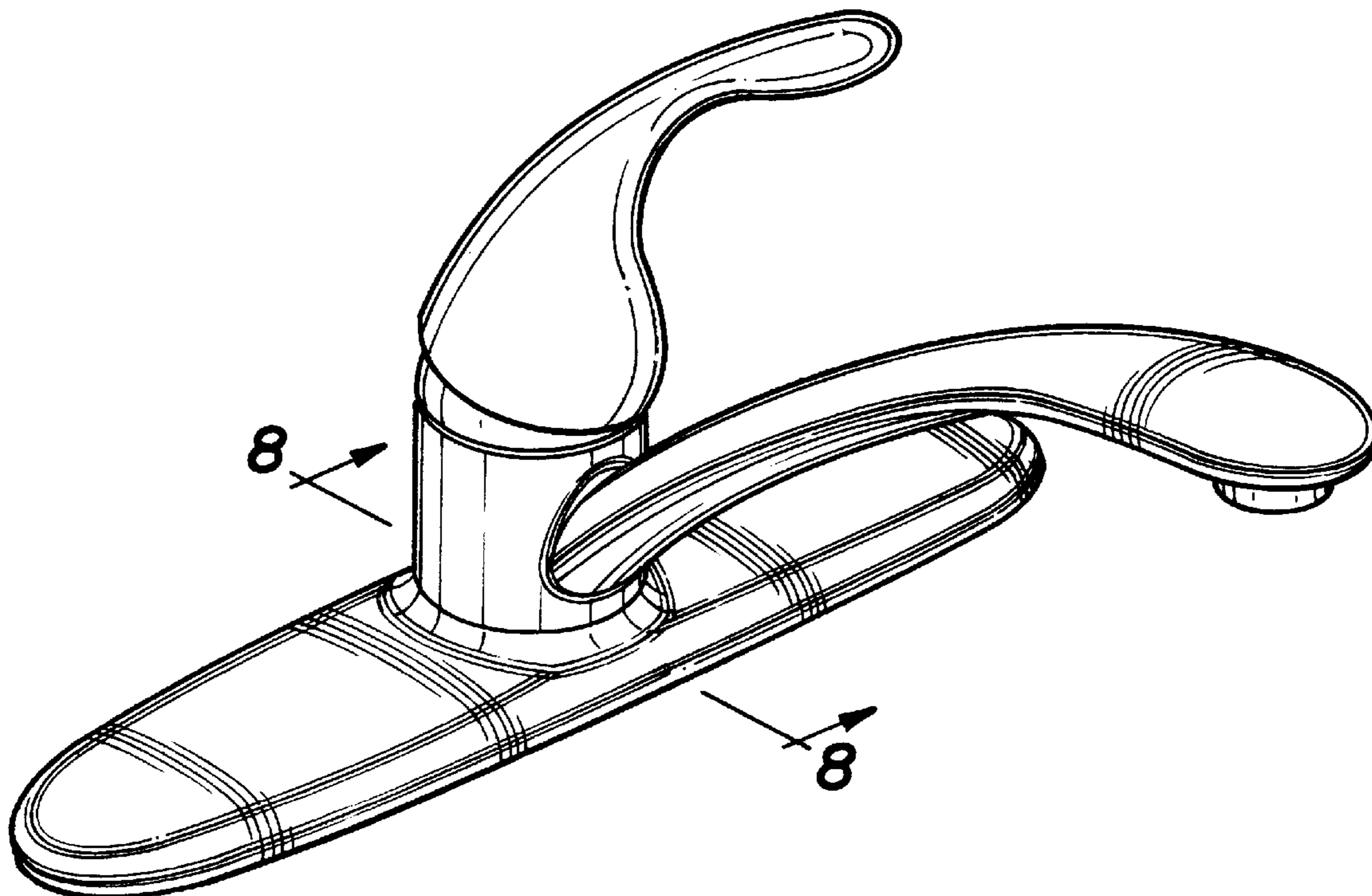
DESCRIPTION

U.S. PATENT DOCUMENTS

D. 213,874	4/1969	Caldell	D23/238
D. 253,799	1/1980	Soporito et al.	D23/243
D. 290,492	6/1987	Hill et al.	.	
D. 290,992	7/1987	Hill et al.	.	
D. 291,117	7/1987	Ryan	.	
D. 293,601	1/1988	Hill et al.	.	
D. 323,877	2/1992	Haug et al.	.	
D. 331,796	12/1992	Spangler	.	
D. 352,766	11/1994	Hill et al.	.	
D. 360,931	8/1995	Mark et al.	D23/238
D. 364,211	11/1995	Hill et al.	.	
D. 367,697	3/1996	Haug et al.	D23/238
D. 367,920	3/1996	Hill et al.	.	

FIG. 1 is a front perspective view of a single handle faucet showing my new design;
FIG. 2 is a rear perspective view thereof;
FIG. 3 is a top plan view thereof;
FIG. 4 is a front elevational view thereof;
FIG. 5 is a right side elevational view thereof, the left side being a mirror image;
FIG. 6 is a rear elevational view thereof;
FIG. 7 is a bottom plan view thereof;
FIG. 8 is a cross-sectional view taken along line 8—8 in FIG. 1; and,
FIG. 9 is a cross-sectional view taken along line 9—9 in FIG. 2.

1 Claim, 4 Drawing Sheets



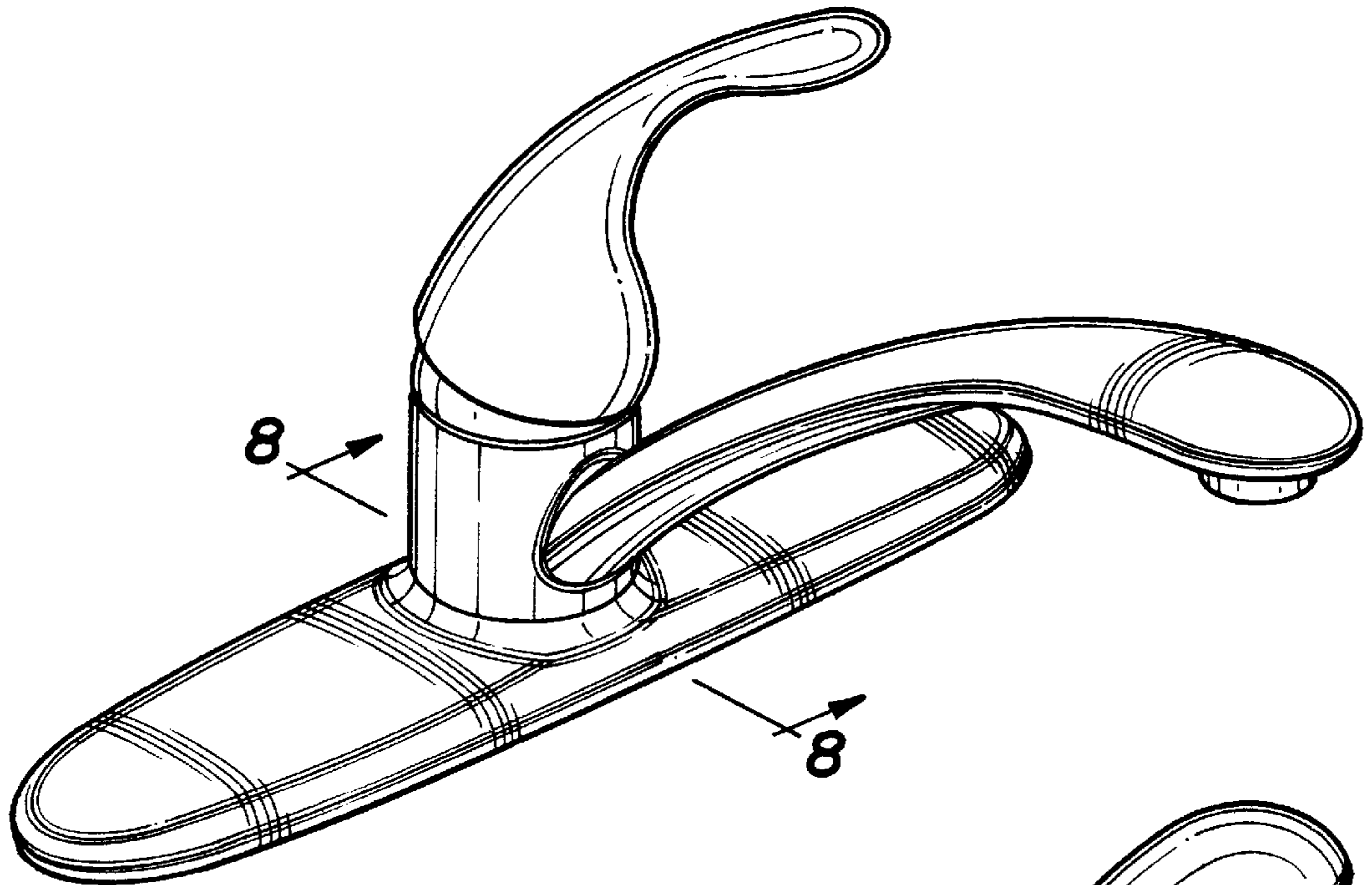


Fig-1

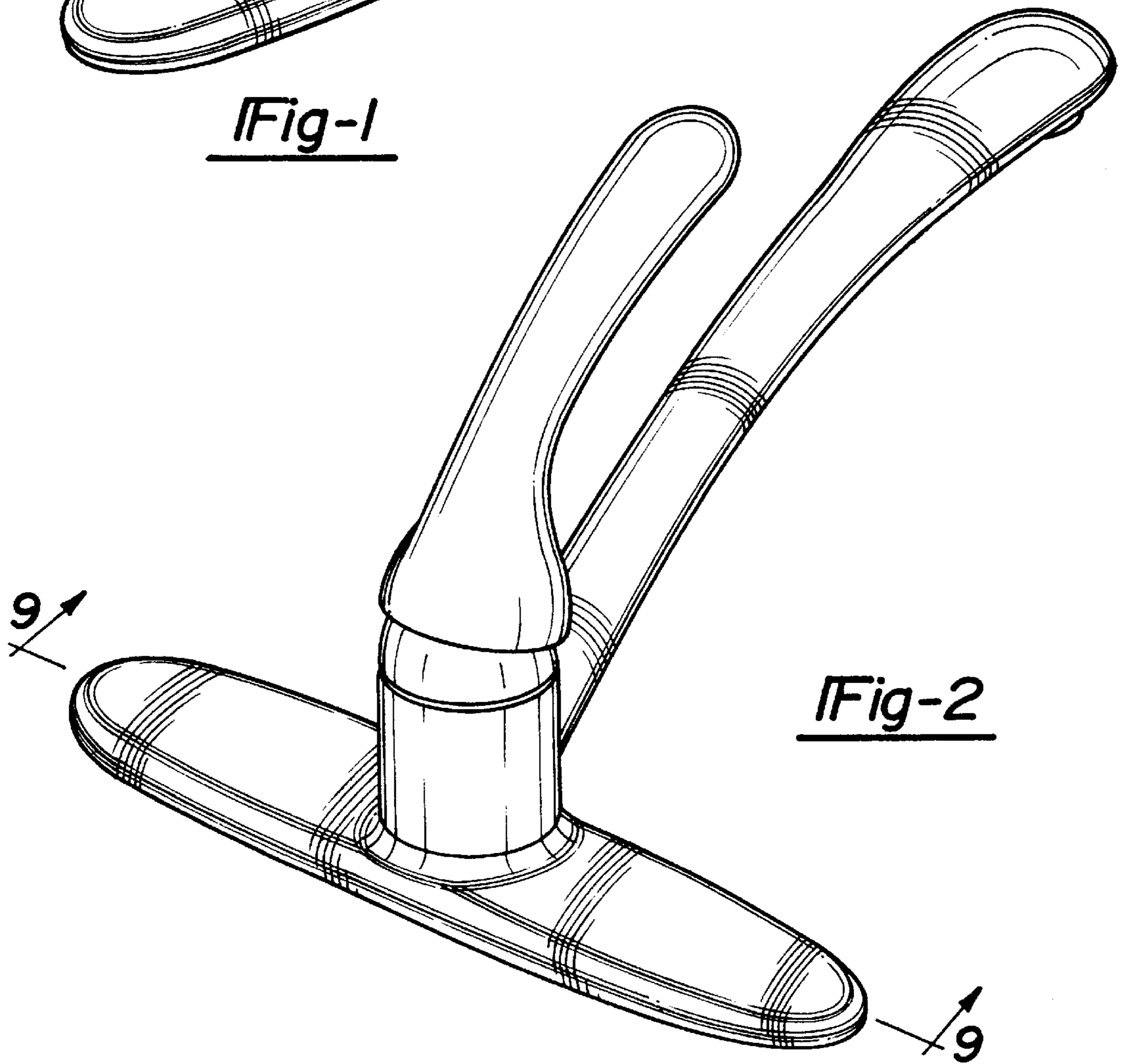


Fig-2

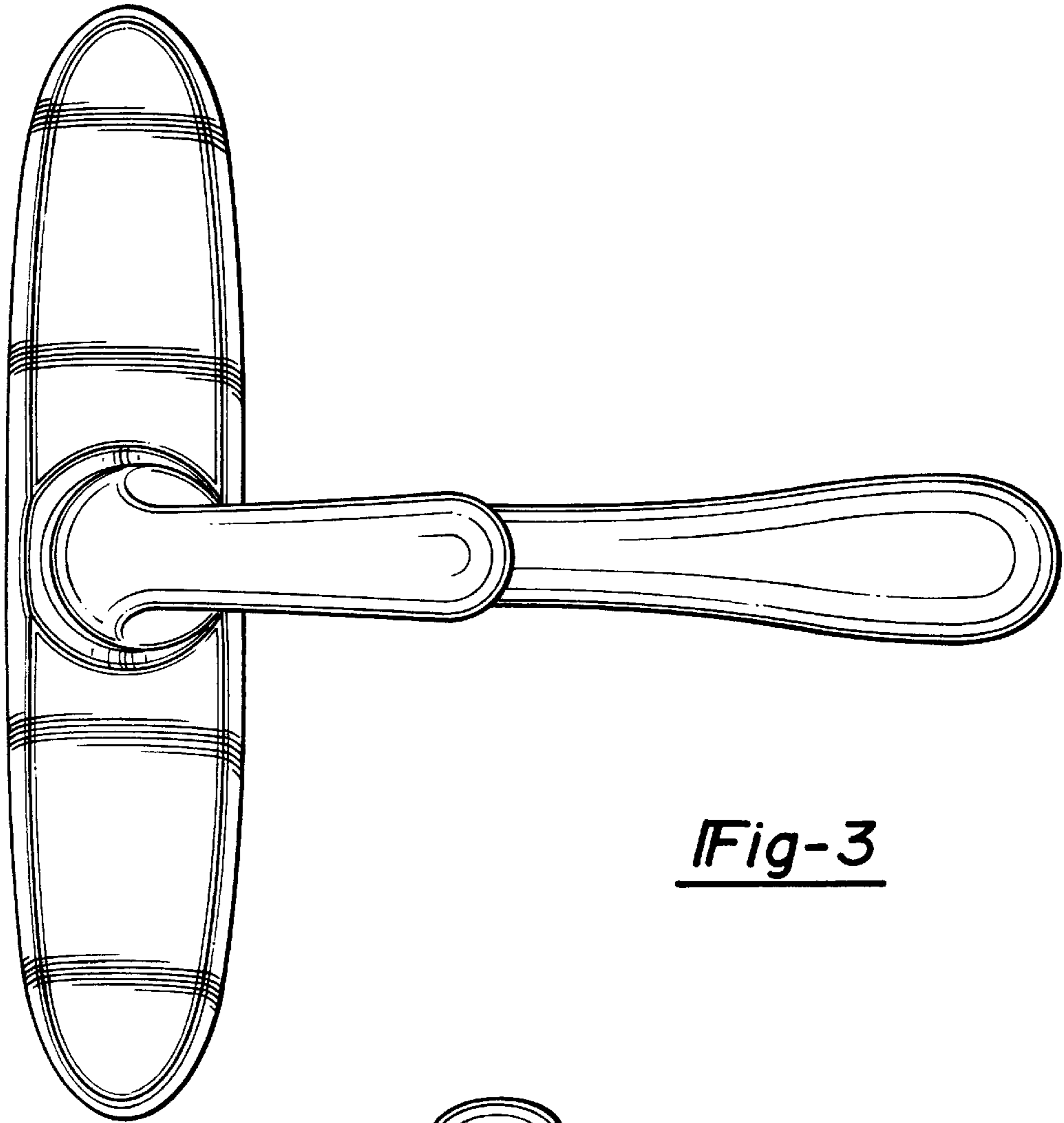


Fig-3

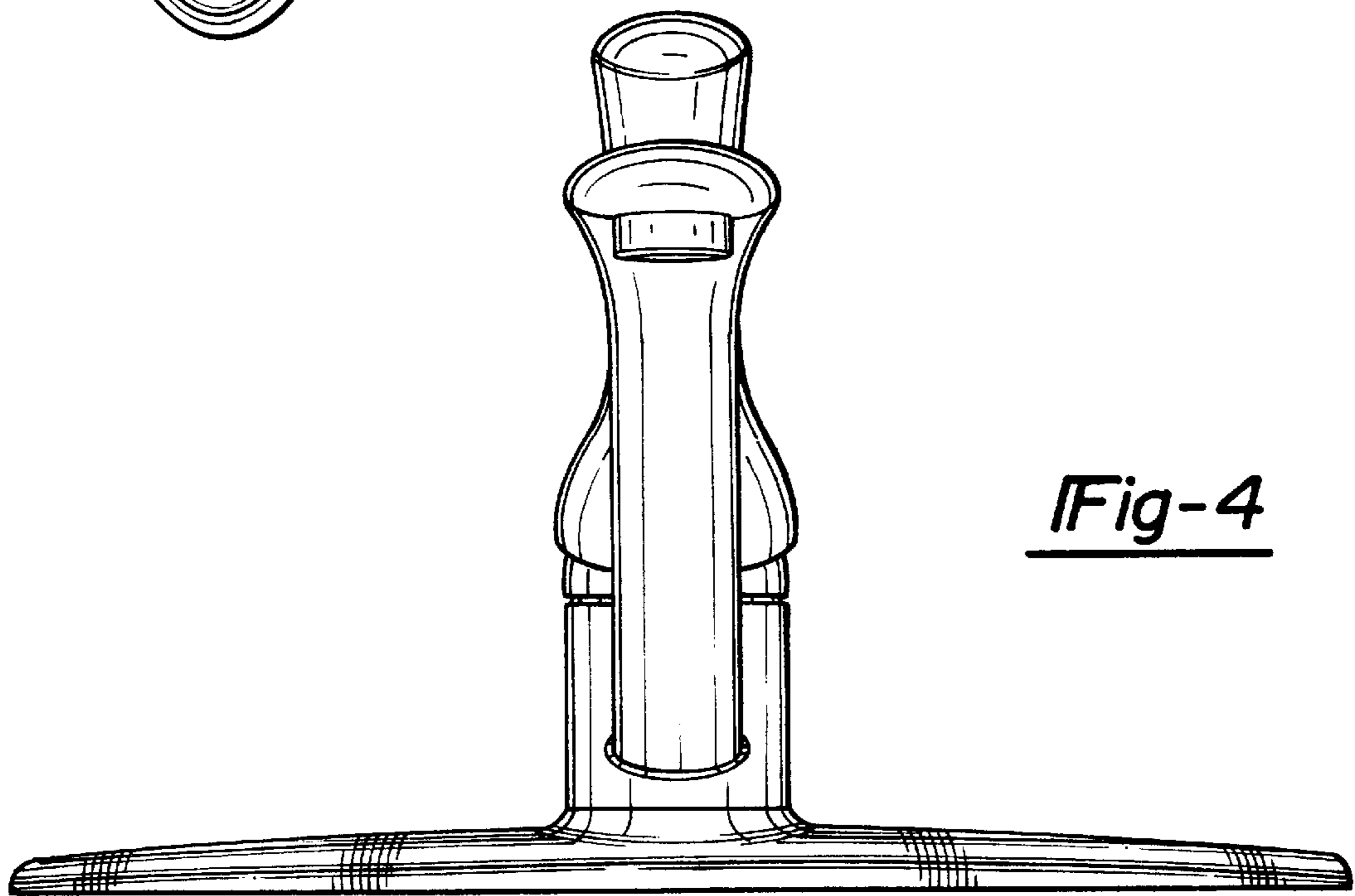


Fig-4

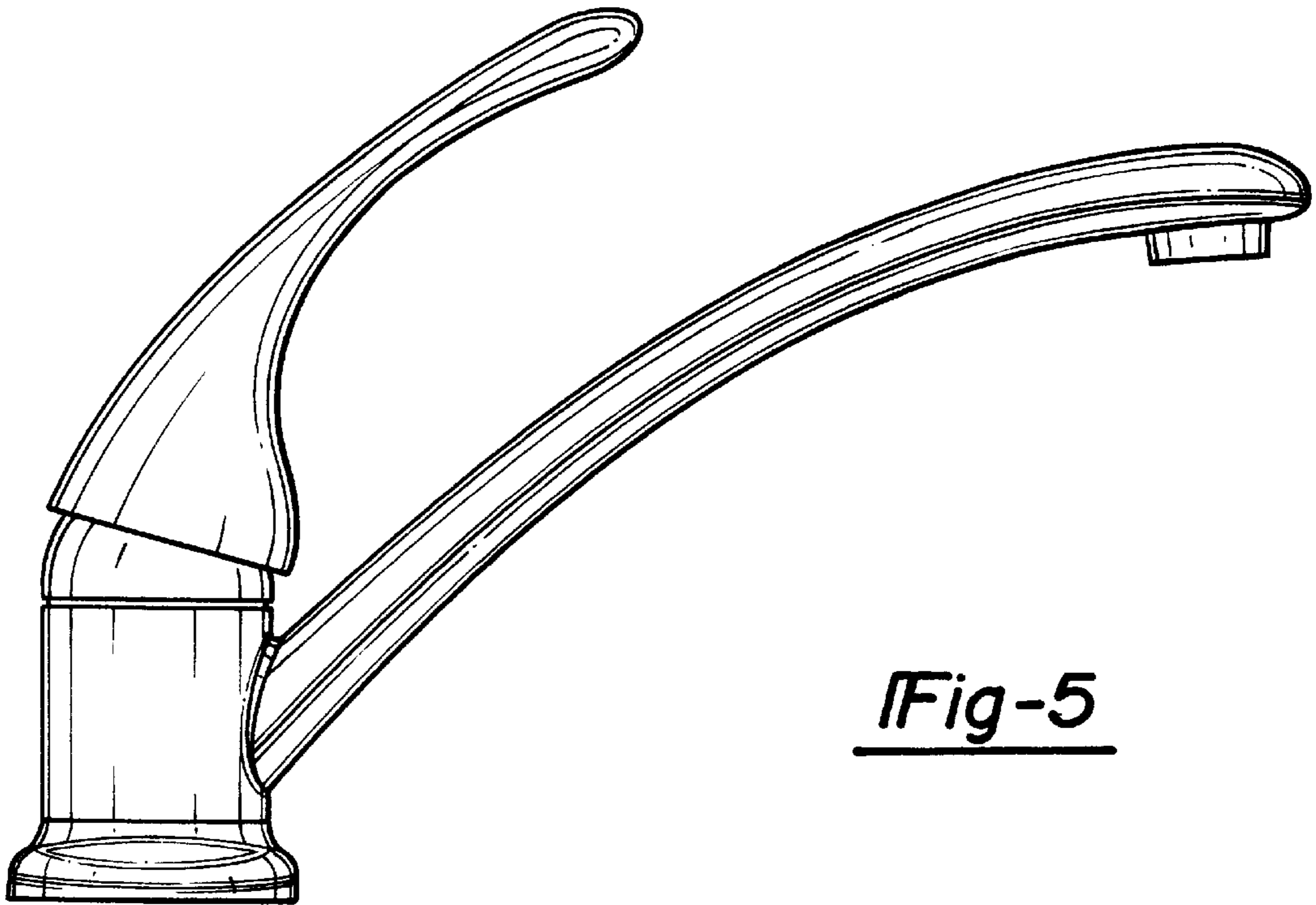


Fig-5

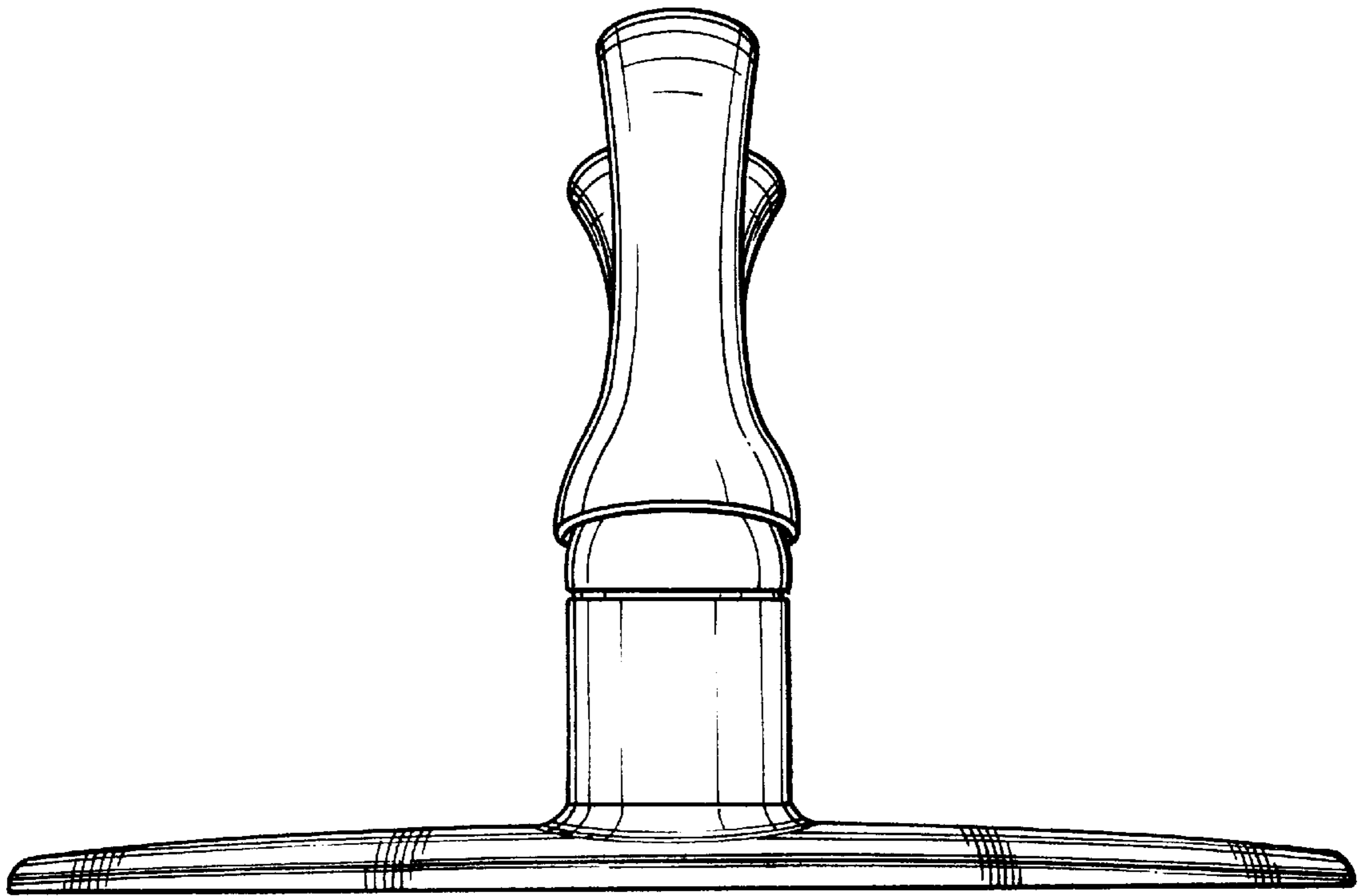


Fig-6

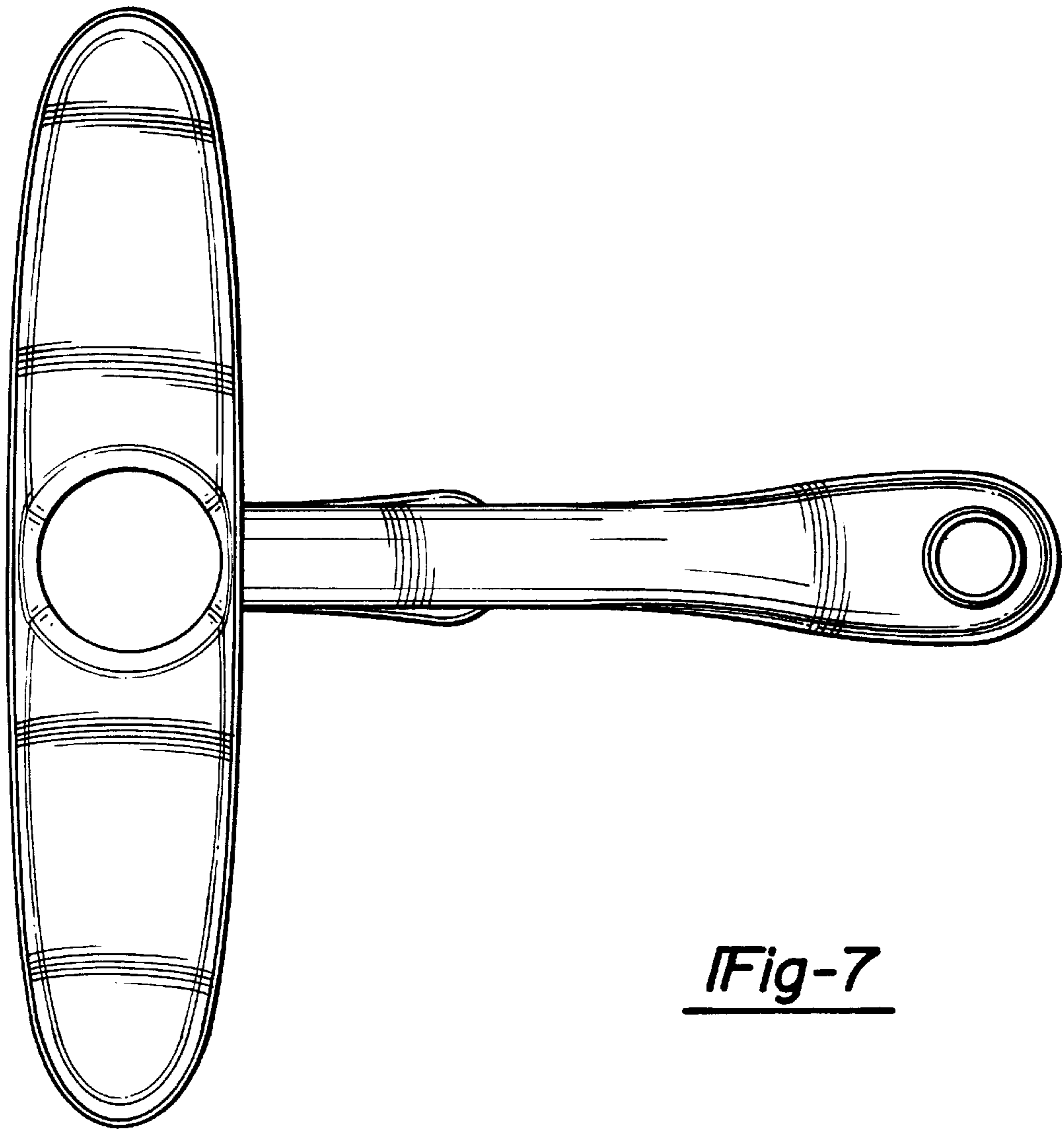


Fig-7

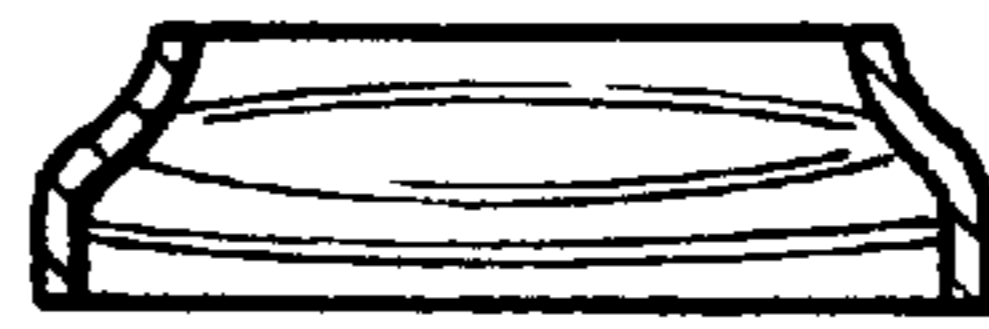


Fig-8

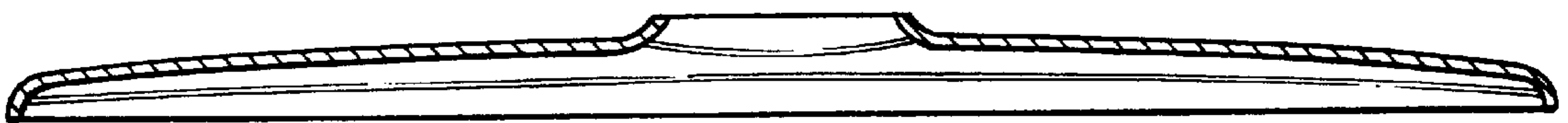


Fig-9