



US00D402768S

United States Patent [19]

Paoli et al.

[11] Patent Number: **Des. 402,768**

[45] Date of Patent: ****Dec. 15, 1998**

[54] **TURBIDIMETER**

[75] Inventors: **Ernie R. Paoli; Robert D. Stream,**
both of Loveland, Colo.

[73] Assignee: **Hach Company,** Loveland, Colo.

[**] Term: **14 Years**

[21] Appl. No.: **66,367**

[22] Filed: **Feb. 5, 1997**

[51] **LOC (6) Cl.** **24-01**

[52] **U.S. Cl.** **D24/232**

[58] **Field of Search** D24/232; 356/440,
356/442, 343, 342, 339; 250/573, 576,
574

[56] **References Cited**

U.S. PATENT DOCUMENTS

3,564,262 2/1971 Hach 356/339

3,800,147	3/1974	Shea et al.	250/564
4,152,070	5/1979	Kushner et al.	356/343
4,320,978	3/1982	Sato	356/440
4,348,112	9/1982	Moreaud et al.	356/338
4,841,157	6/1989	Downing, Jr.	356/342 X
5,059,811	10/1991	King et al.	250/573
5,104,228	4/1992	Baillie	356/442

Primary Examiner—Stella Reid
Attorney, Agent, or Firm—Dean P. Edmundson

[57] **CLAIM**

The ornamental design for a turbidimeter, as shown.

DESCRIPTION

FIG. 1 is a front perspective view of the turbidimeter, showing our new design;
FIG. 2 is a front elevational view thereof;
FIG. 3 is a rear elevational view thereof;
FIG. 4 is a top plan view thereof;
FIG. 5 is a bottom plan view thereof;
FIG. 6 is a left side elevational view thereof; and,
FIG. 7 is a right side elevational view thereof.

1 Claim, 7 Drawing Sheets

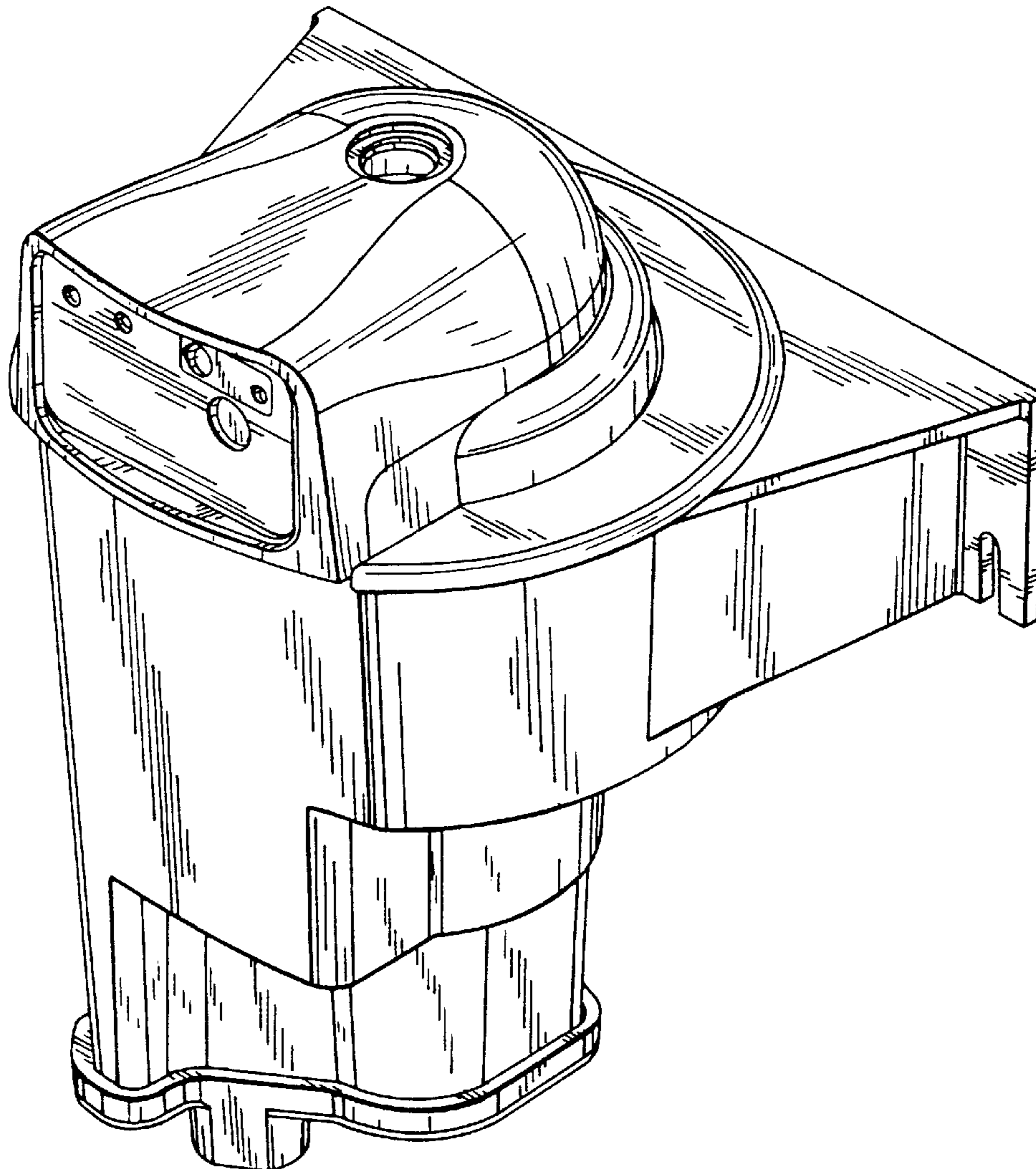
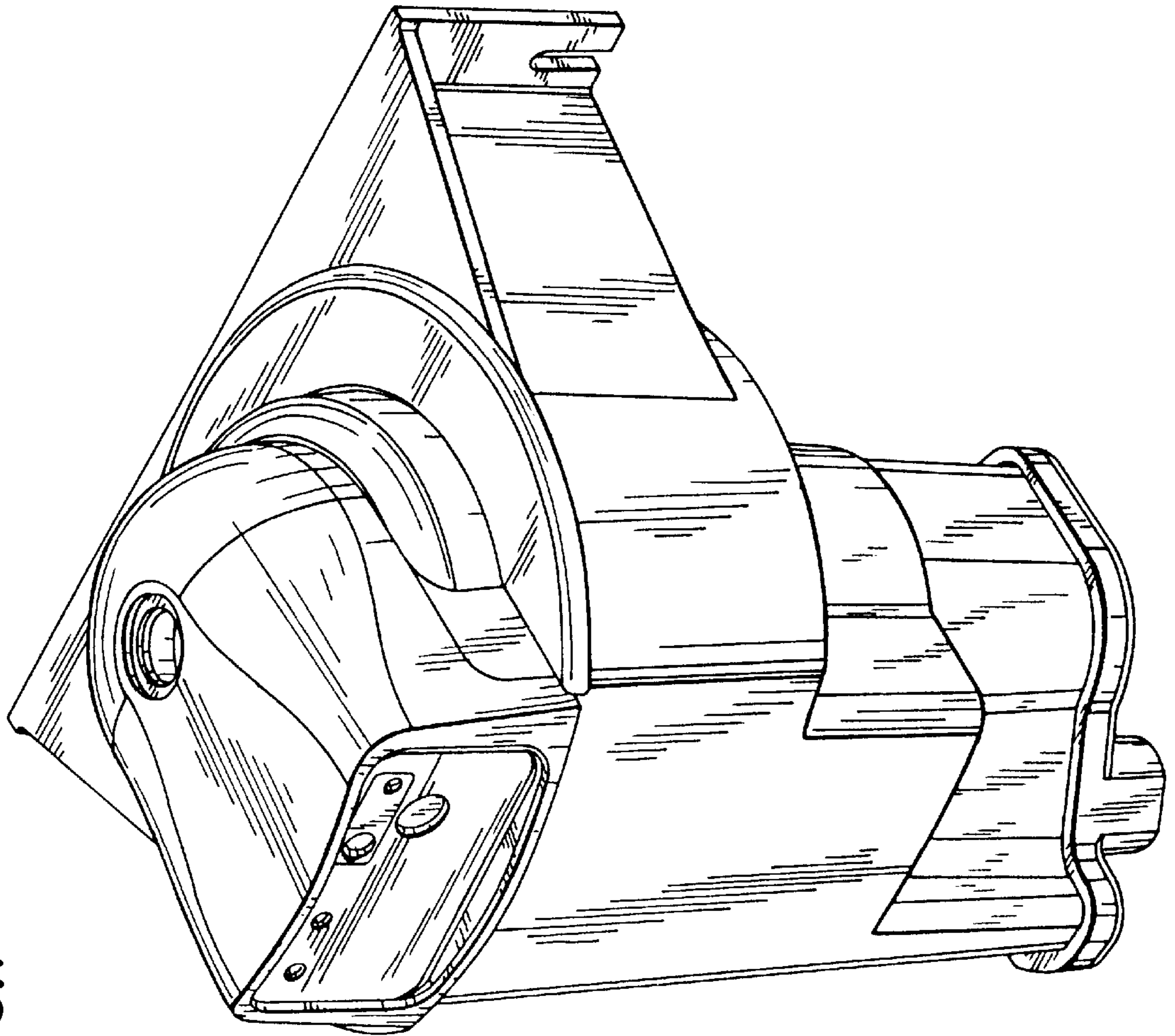


FIG. 1



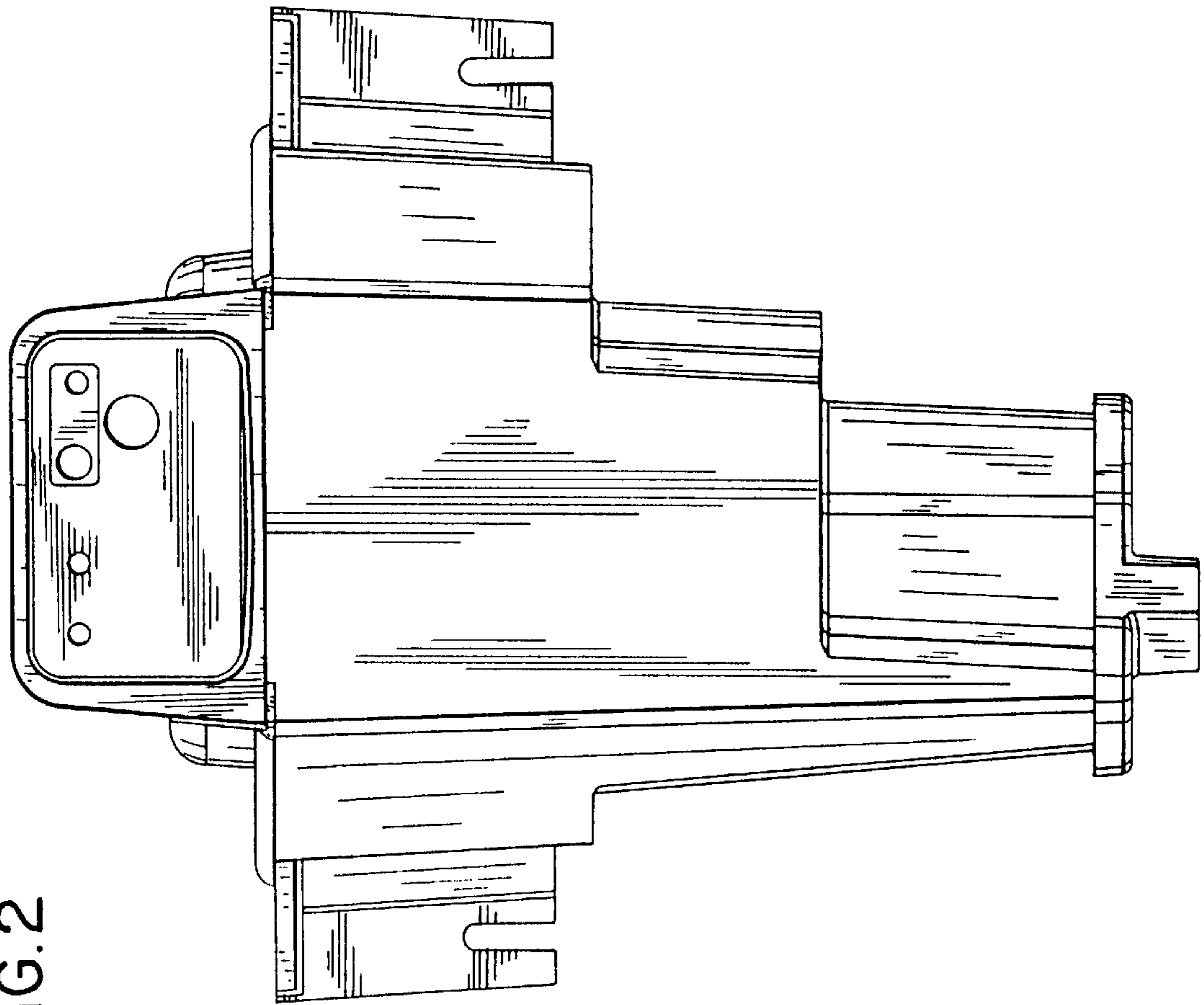


FIG. 2

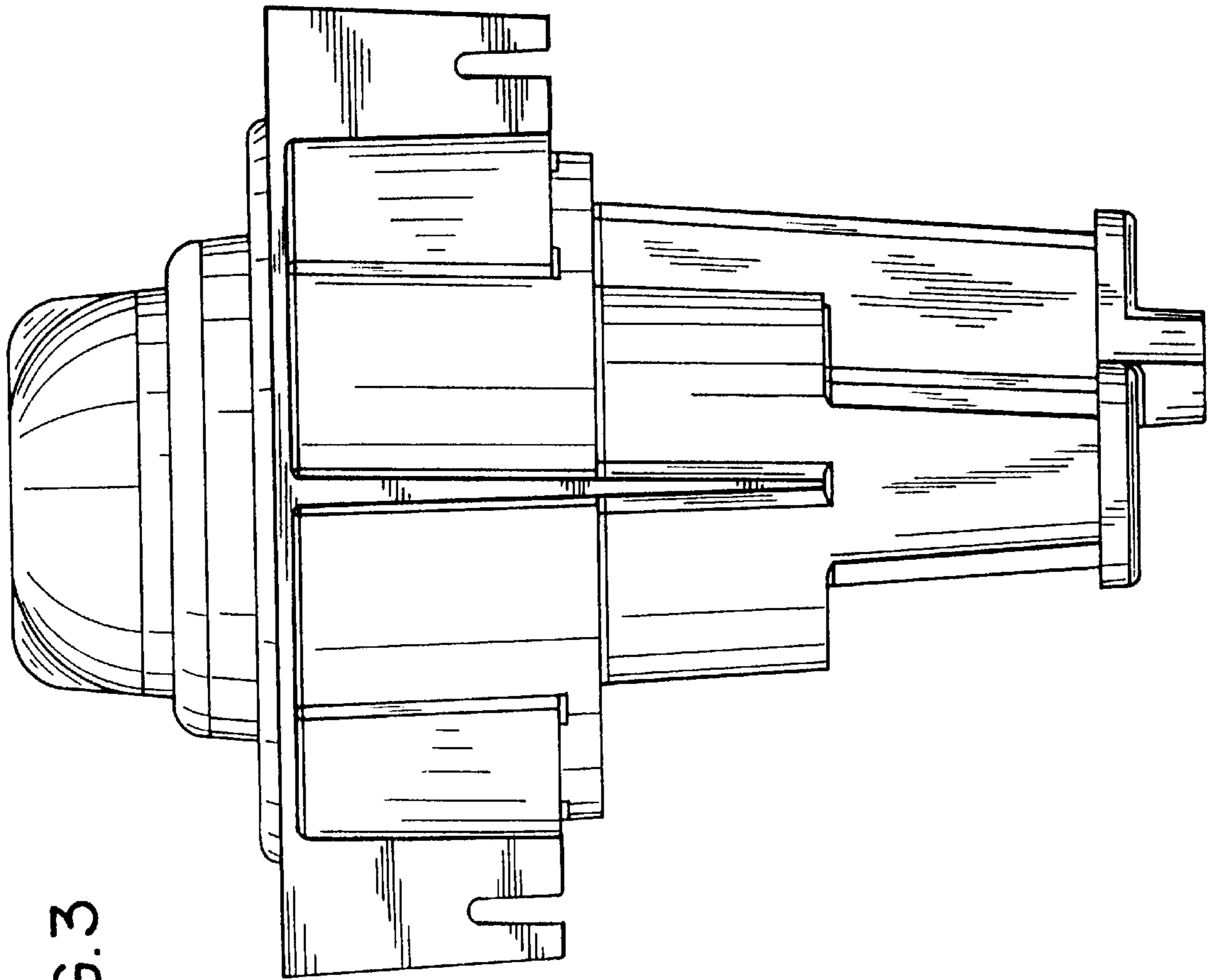


FIG. 3

FIG. 4

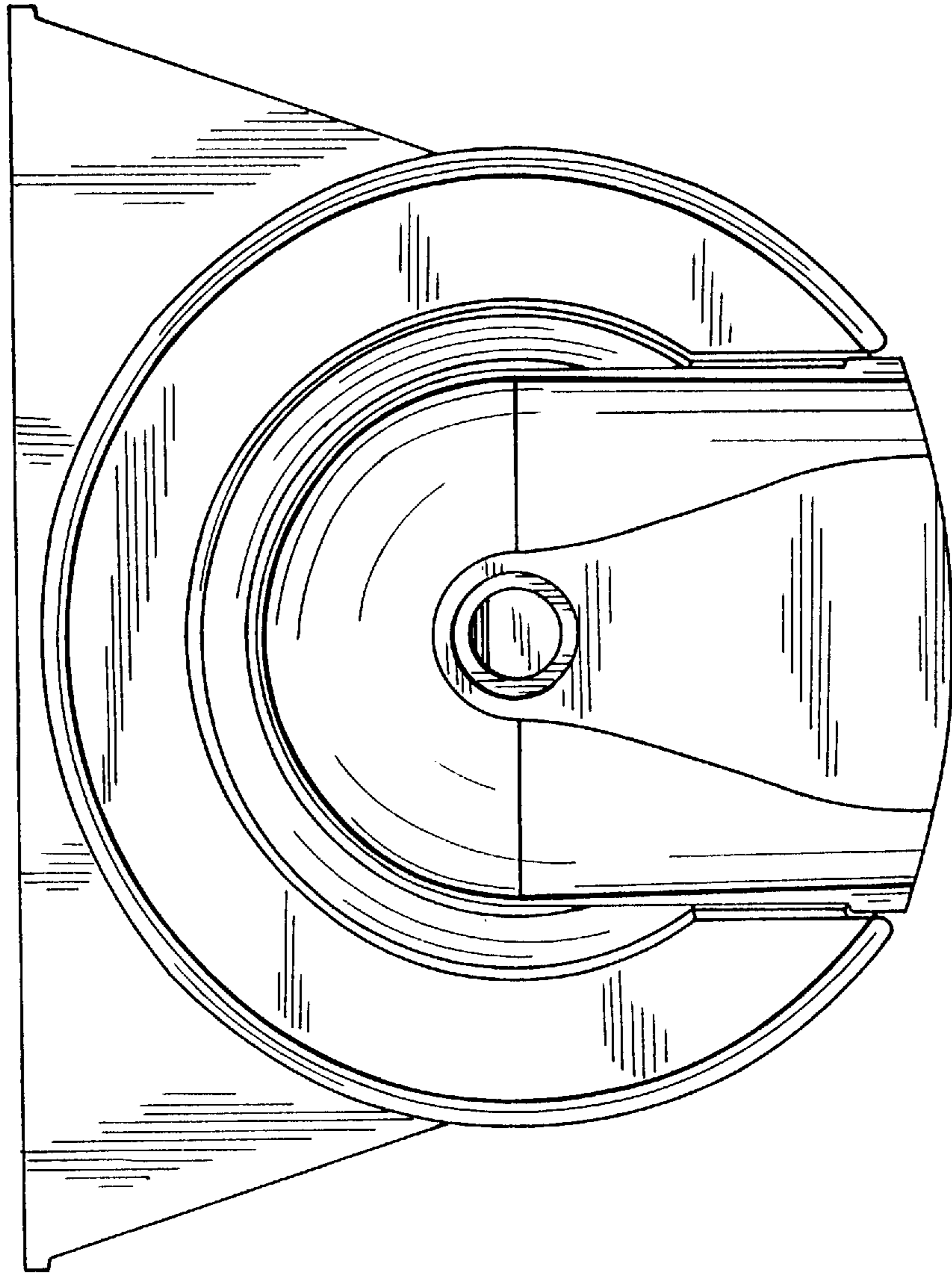
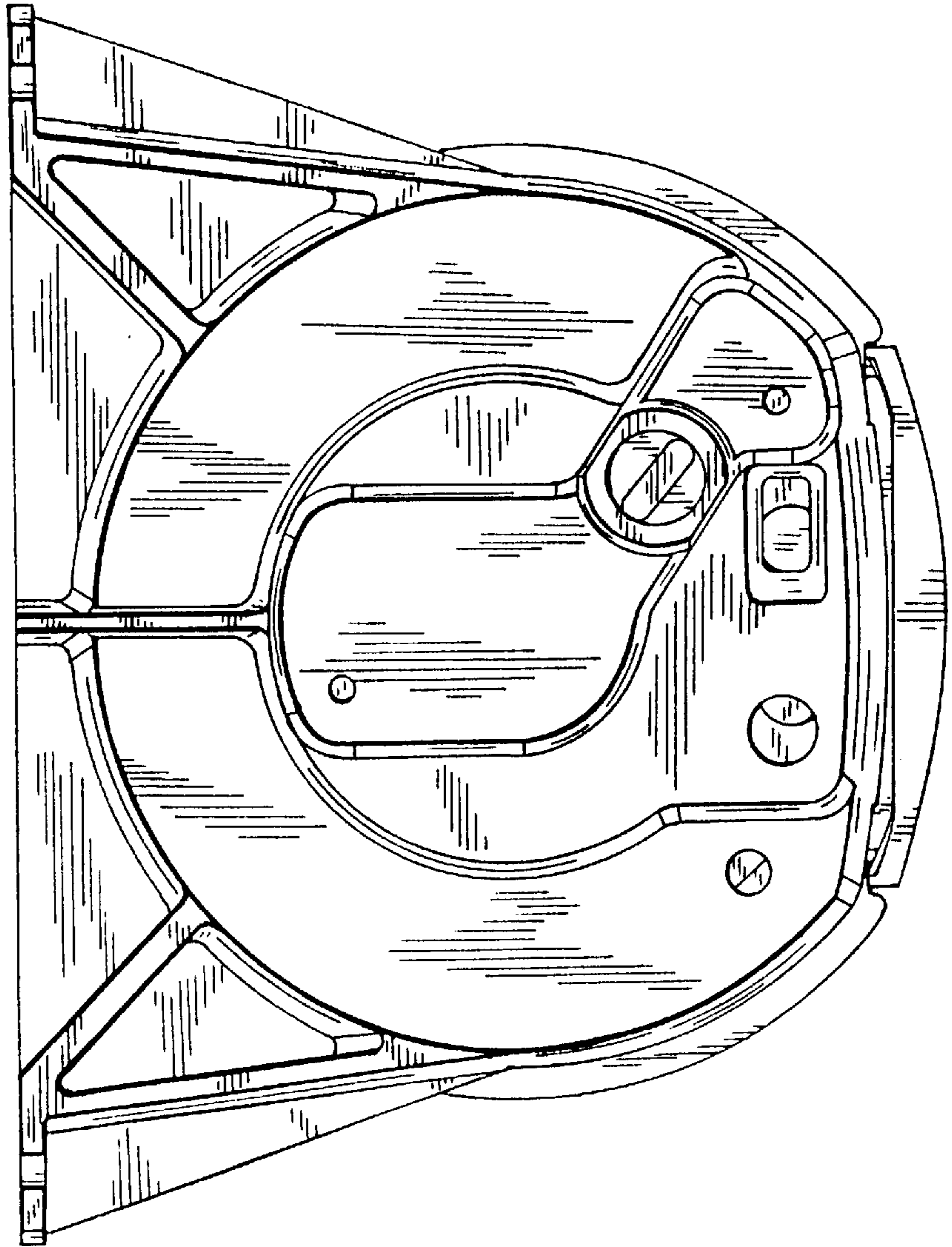


FIG. 5



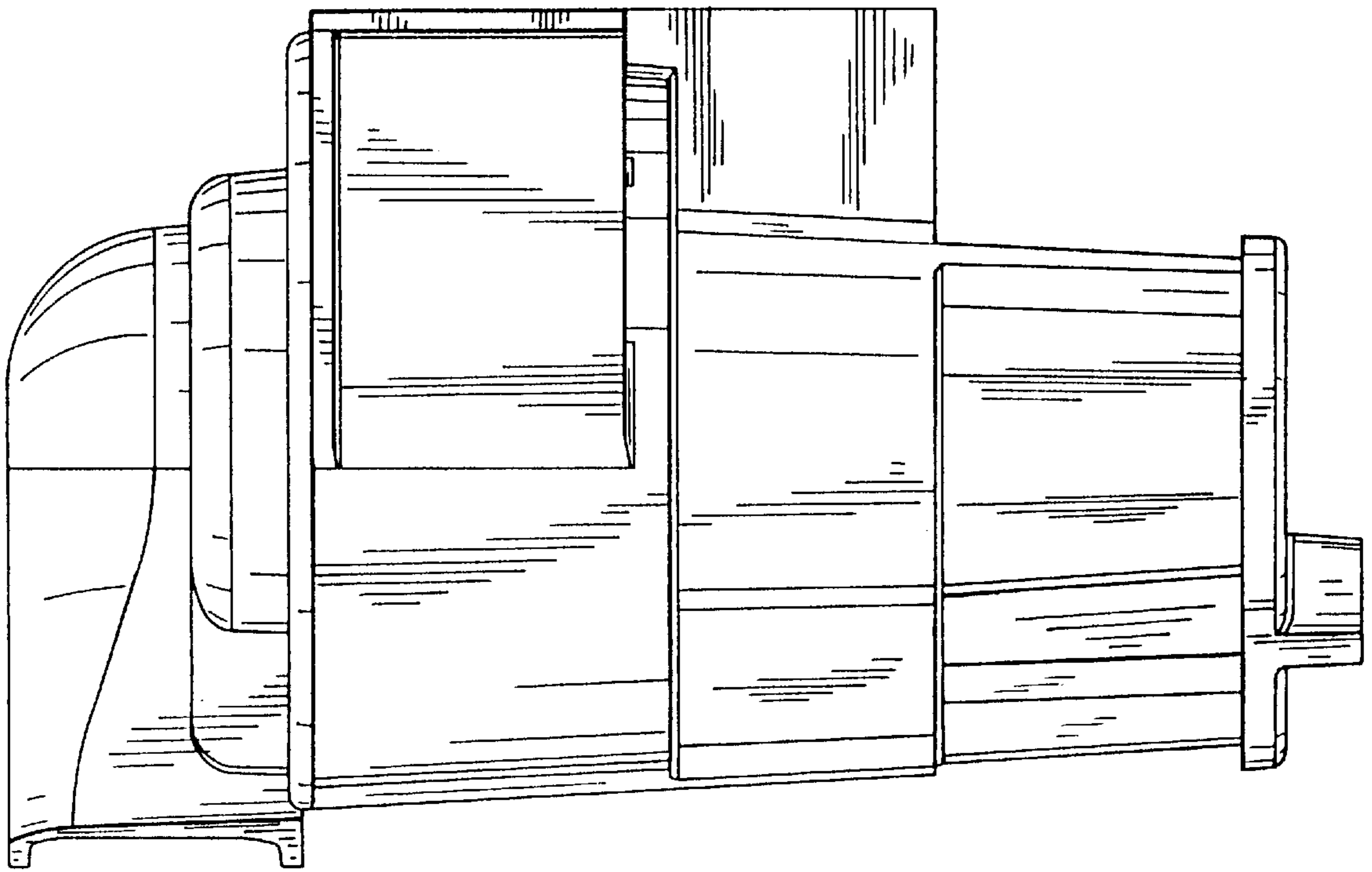


FIG.6

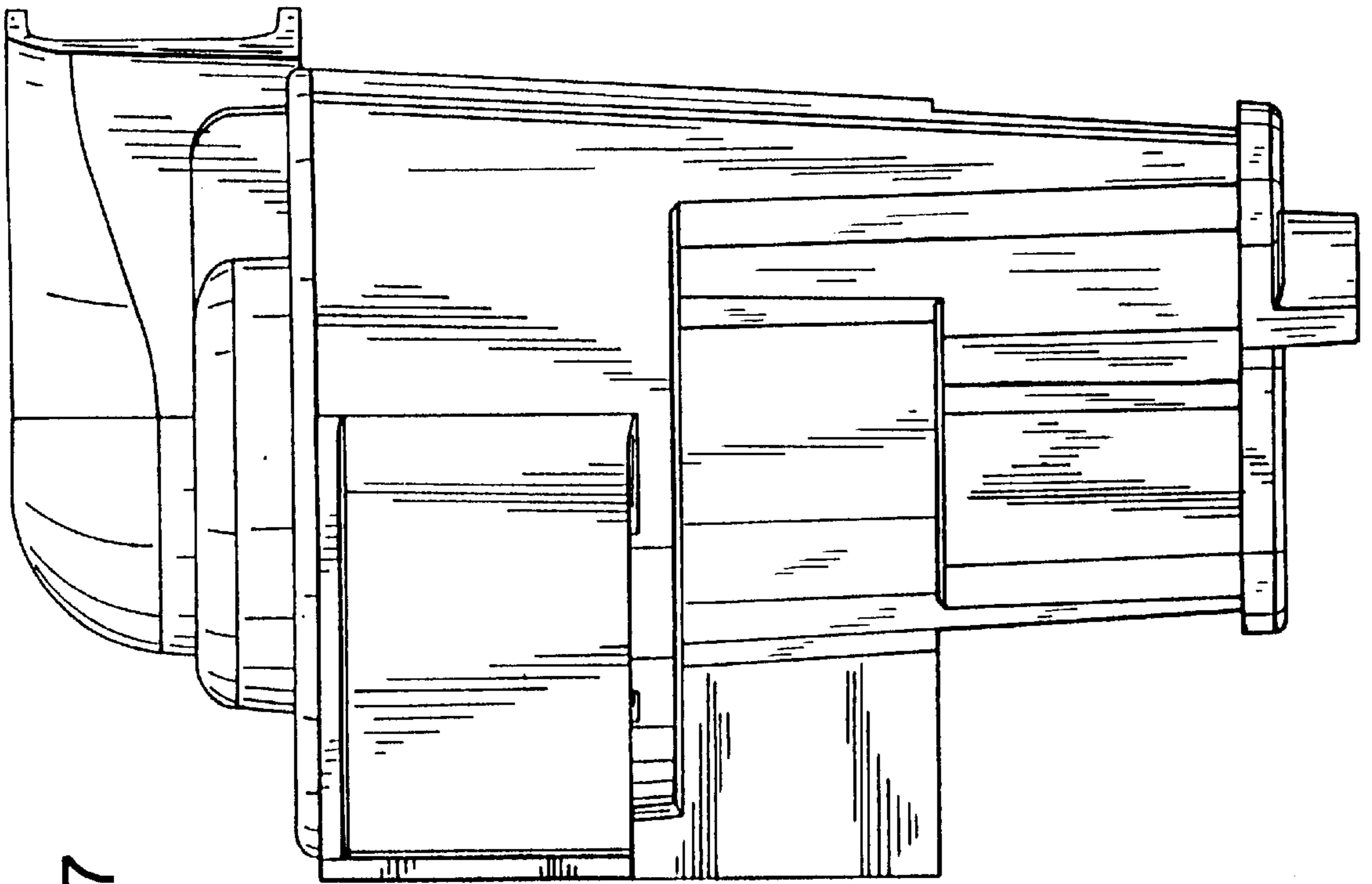


FIG. 7