



US00D402766S

United States Patent [19]

Smith et al.

[11] **Patent Number: Des. 402,766**

[45] **Date of Patent: **Dec. 15, 1998**

[54] **PUCK**

[75] Inventors: **Gary Thomas Smith**, Collegeville;
David Patrick O'Bryan, Kennett
Square; **Bingham Hood van Dyke, Jr.**,
Gilbertsville, all of Pa.; **Michael John
Campanelli**, Mahopac, N.Y.

[73] Assignee: **Bayer Corporation**, Tarrytown, N.Y.

[**] Term: **14 Years**

[21] Appl. No.: **79,418**

[22] Filed: **Nov. 13, 1997**

[51] **LOC (6) Cl.** **24-99**

[52] **U.S. Cl.** **D24/227; D9/455**

[58] **Field of Search** **D21/203; D8/29;**
473/588, 132; D24/216, 227; D9/455; 211/74;
248/146, 310, 311.2, 312; 220/737

[56] **References Cited**

U.S. PATENT DOCUMENTS

D. 260,207 8/1981 Whyte 211/74 X

D. 279,996 8/1985 Survance et al. D21/203
D. 295,963 5/1988 Conlon D9/455
D. 307,869 5/1990 Miskinis D9/455
3,206,210 9/1965 Bard 473/588
4,183,536 1/1980 Platt 473/588 X
5,014,868 5/1991 Wittig et al. 220/737
5,284,343 2/1994 Bigornia et al. 473/588 X

Primary Examiner—Ted Shooman
Assistant Examiner—Richelle Shelton
Attorney, Agent, or Firm—Rodman & Rodman; Andrew L.
Klawitter, Esq.

[57] **CLAIM**

The ornamental design for a puck, as shown and described.

DESCRIPTION

FIG. 1 is a top perspective view of a puck showing our new design;
FIG. 2 is a bottom perspective view thereof;
FIG. 3 is a top view thereof;
FIG. 4 is an elevational view thereof; and,
FIG. 5 is a bottom view thereof.

1 Claim, 1 Drawing Sheet

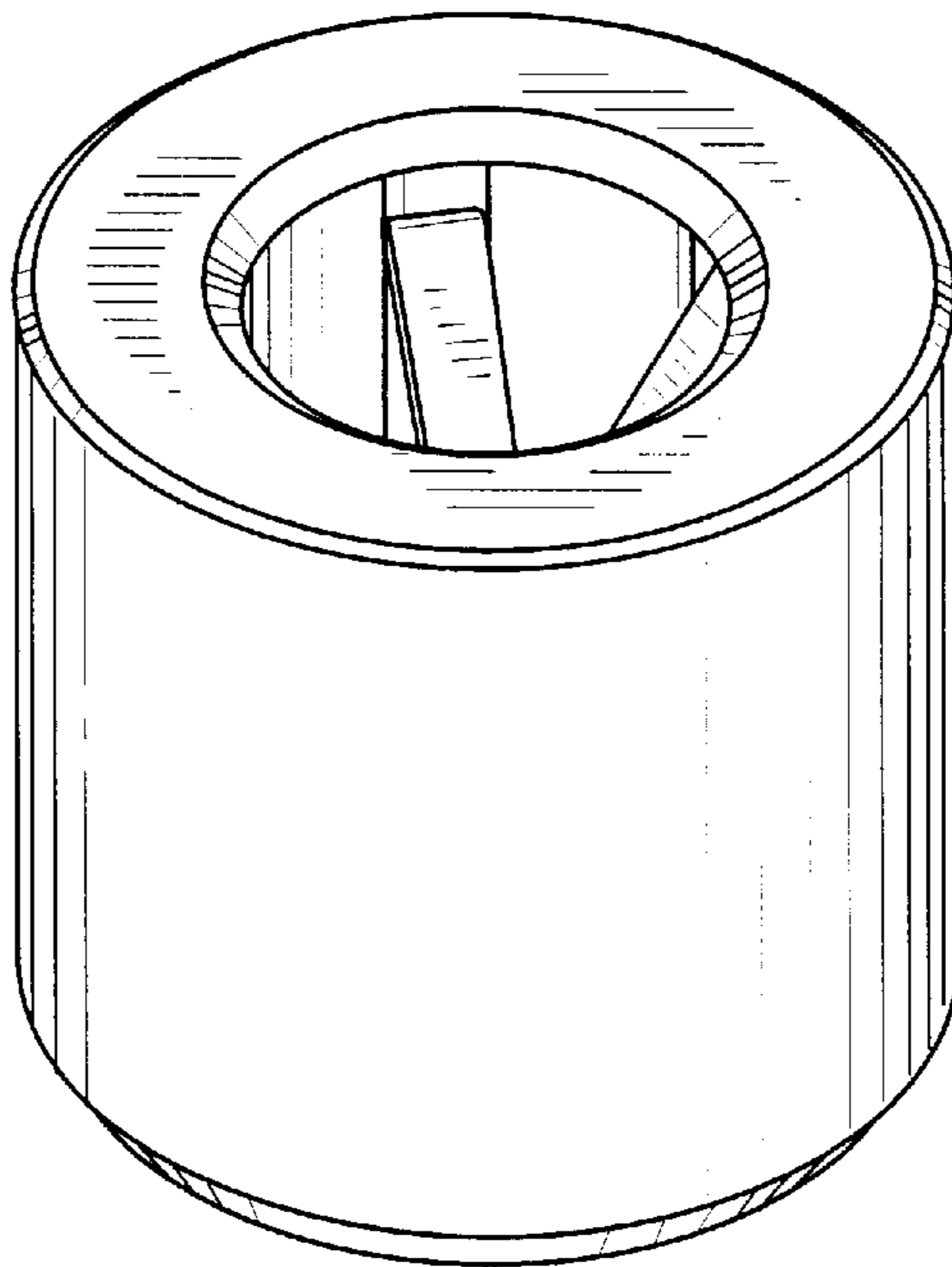


FIG. 1

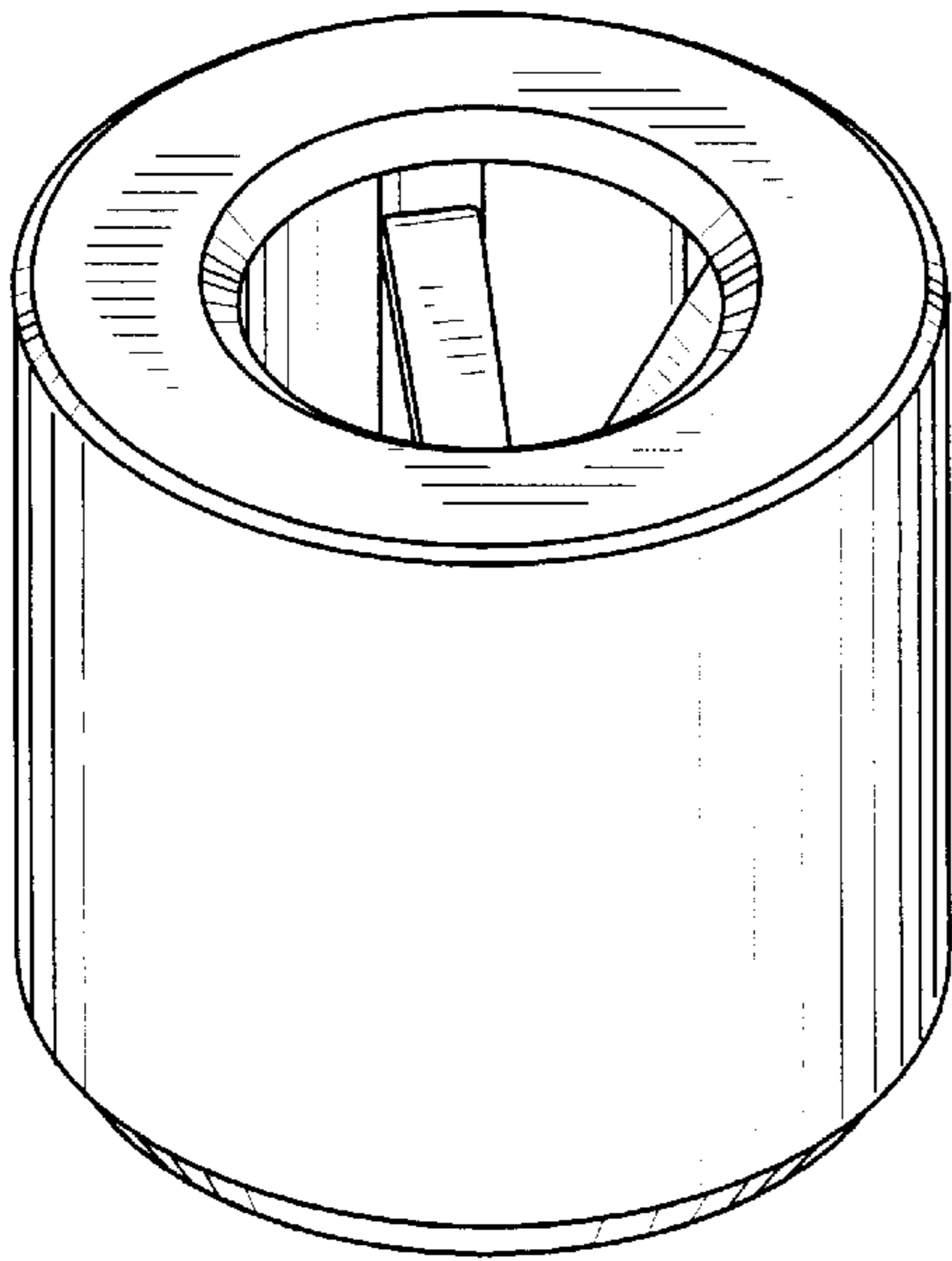


FIG. 2

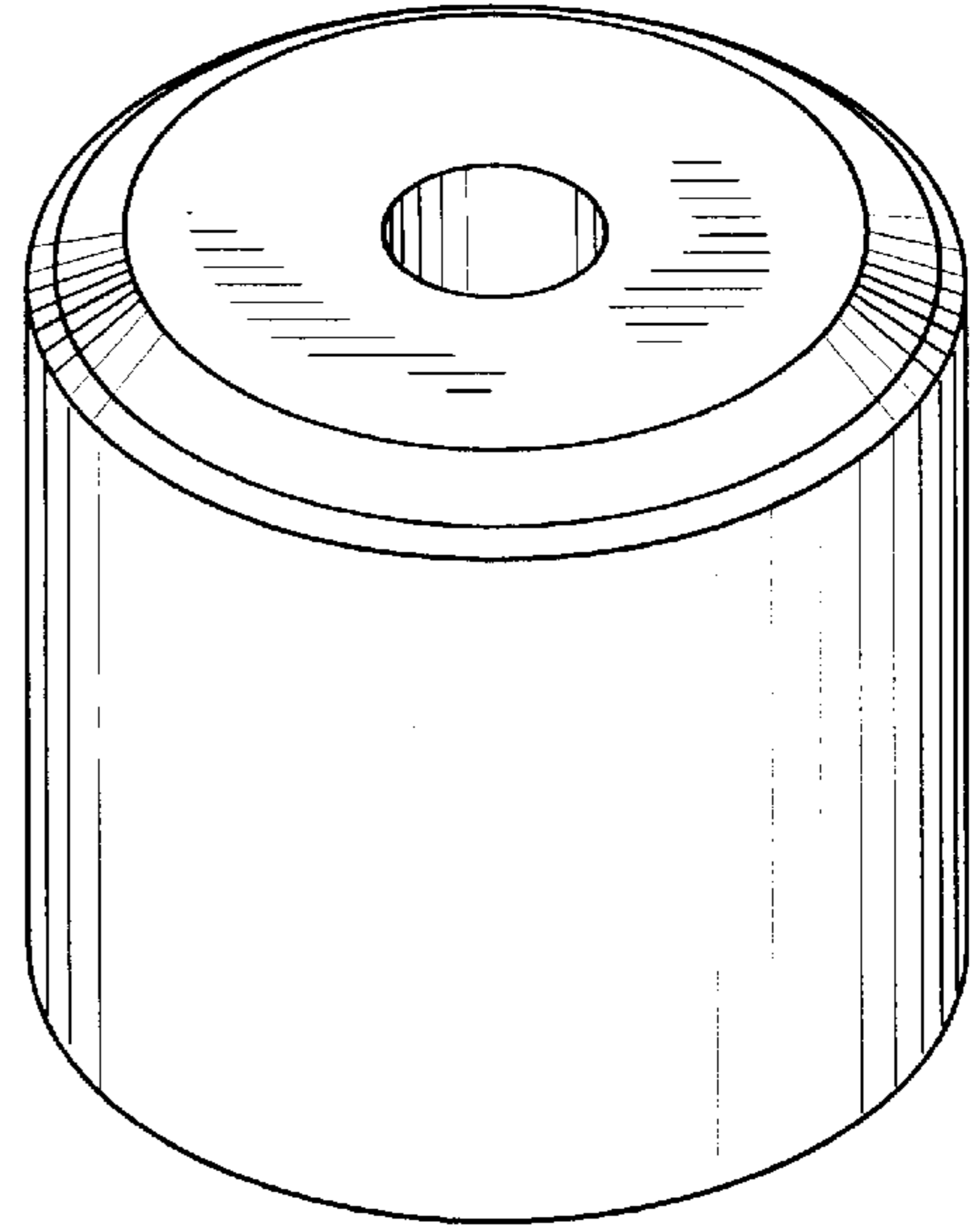


FIG. 3

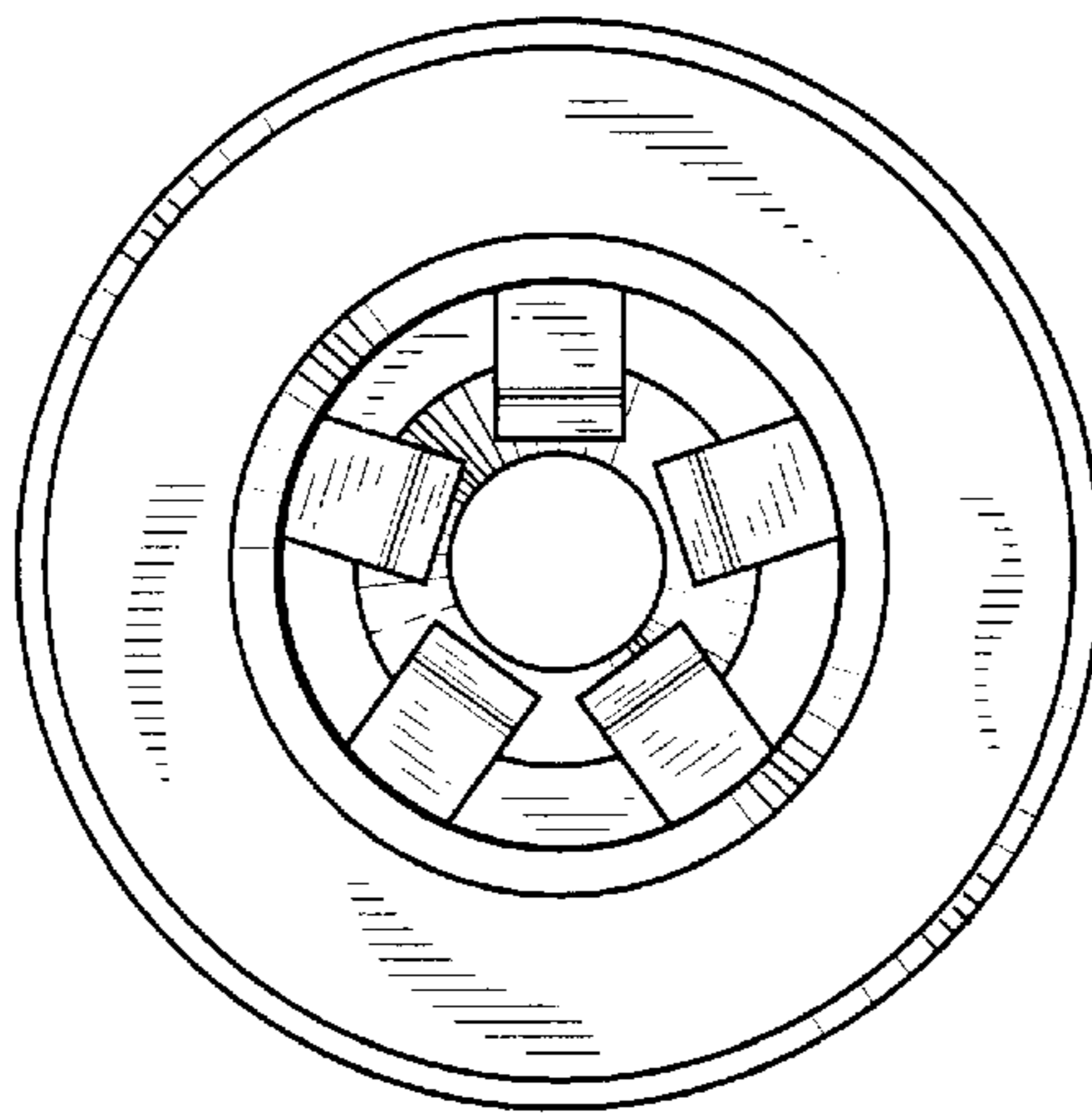


FIG. 4

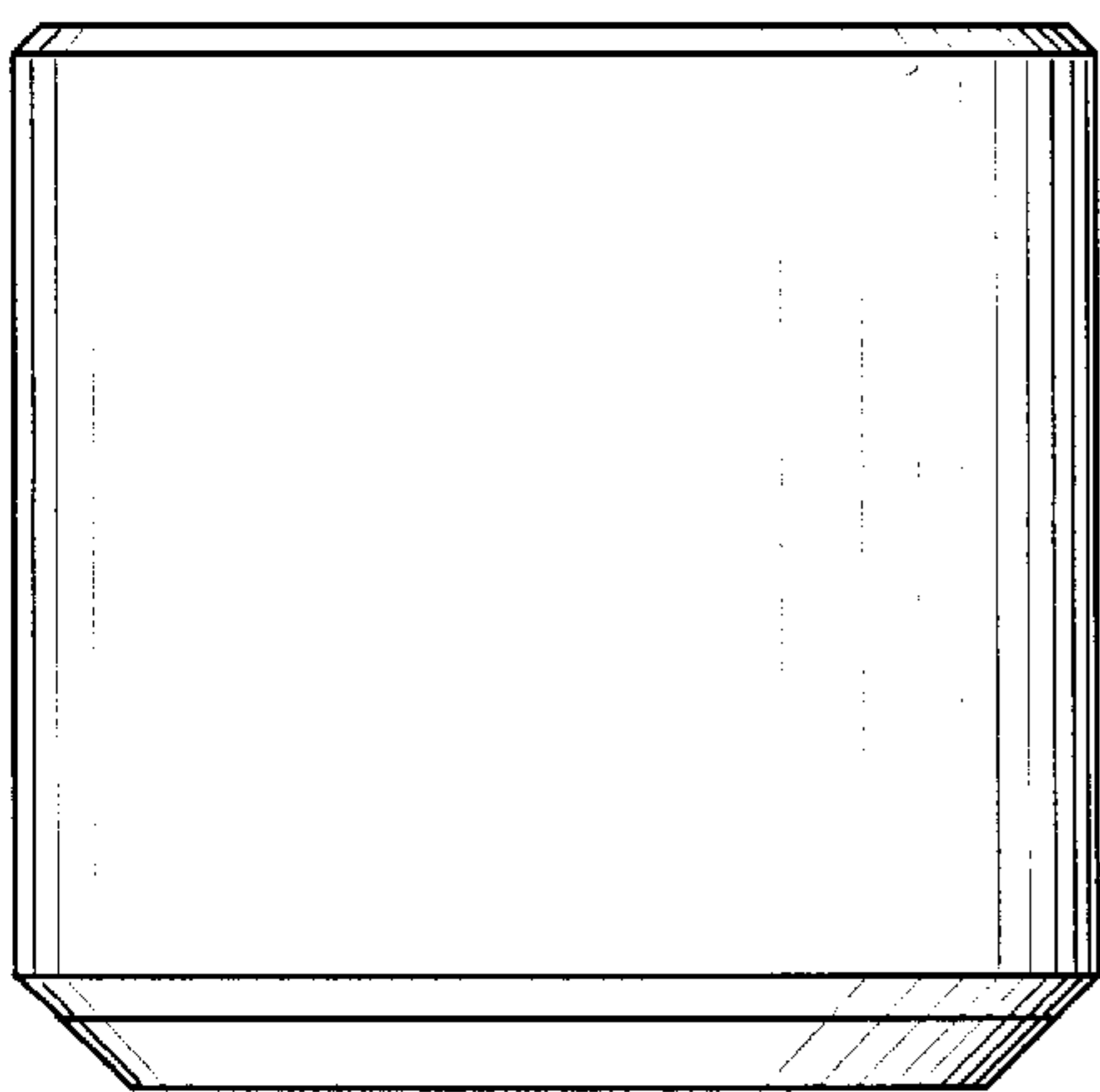


FIG. 5

