



US00D402765S

United States Patent [19]

Smith et al.

[11] **Patent Number: Des. 402,765**

[45] **Date of Patent: **Dec. 15, 1998**

[54] **PUCK END CAP**

[75] Inventors: **Gary Thomas Smith**, Collegeville;
David Patrick O'Bryan, Kennett
Square; **Bingham Hood Van Dyke, Jr.**,
Gilbertsville, all of Pa.; **Michael John
Campanelli**, Mahopac, N.Y.

[73] Assignee: **Bayer Corporation**, Tarrytown, N.Y.

[**] Term: **14 Years**

[21] Appl. No.: **79,417**

[22] Filed: **Nov. 13, 1997**

[51] **LOC (6) Cl.** **24-99**

[52] **U.S. Cl.** **D24/231; D24/227**

[58] **Field of Search** D21/203; 473/588,
473/132; D9/455; D24/216, 227, 231; 211/74;
248/146, 310, 311.2, 312; 220/737

[56] **References Cited**

U.S. PATENT DOCUMENTS

D. 247,923 5/1978 Bartz D21/203

D. 295,962	5/1988	Conlon	D9/455
2,886,320	5/1959	Van Hennik	473/588 X
3,502,335	3/1970	Sholin	473/588 X
5,014,868	5/1991	Wittig et al.	220/737
5,465,891	11/1995	Bridges	248/310 X
5,755,418	5/1998	Kracke et al.	211/74 X

Primary Examiner—Ted Shooman
Assistant Examiner—Richelle Shelton
Attorney, Agent, or Firm—Rodman & Rodman; Andrew L.
Klawitter, Esq.

[57] **CLAIM**

The ornamental design for a puck end cap, as shown and described.

DESCRIPTION

FIG. 1 is a top perspective view of a puck end cap showing our new design;
FIG. 2 is an elevational view thereof;
FIG. 3 is a top view thereof; and,
FIG. 4 is a bottom view thereof.

1 Claim, 1 Drawing Sheet

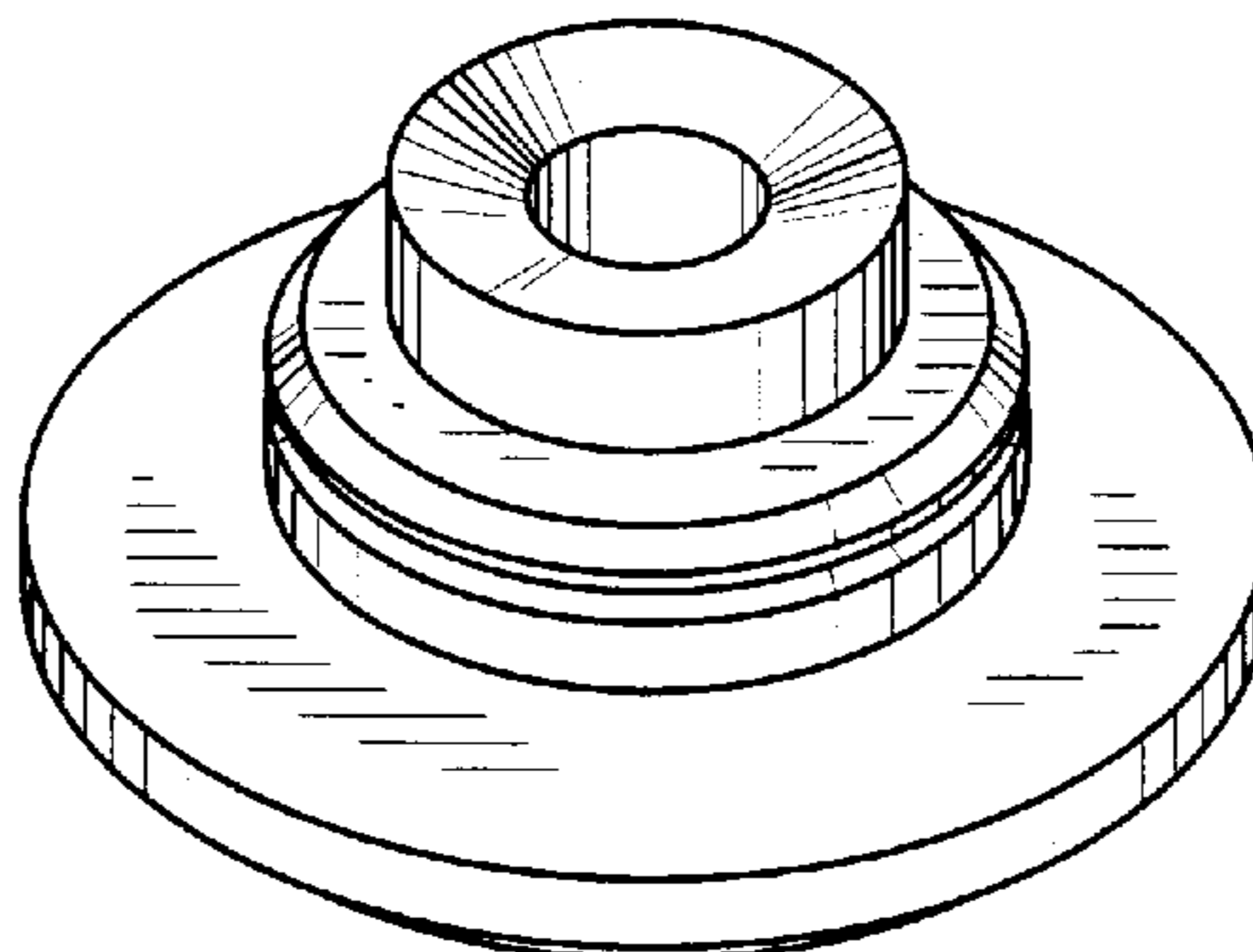


FIG. 1

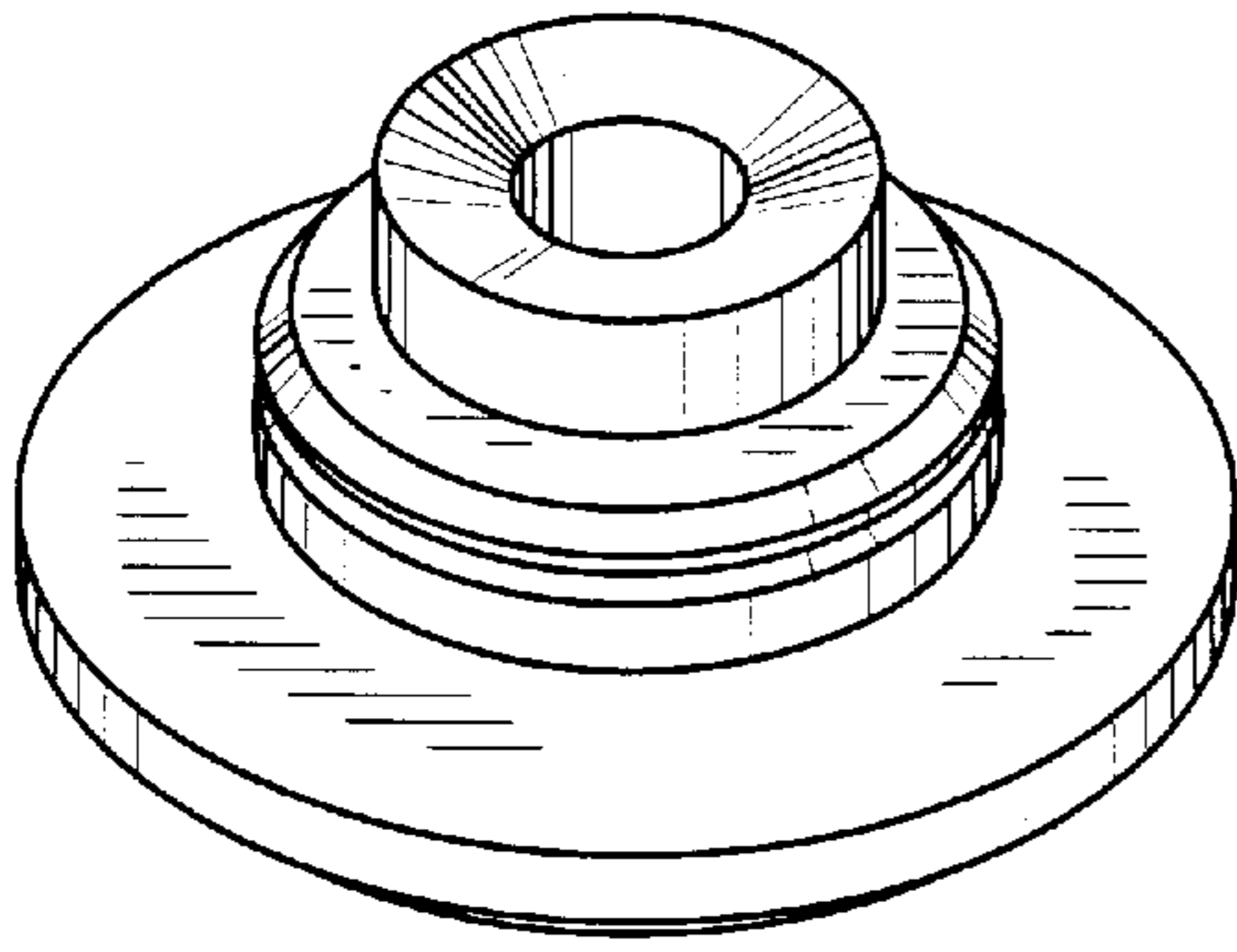


FIG. 2

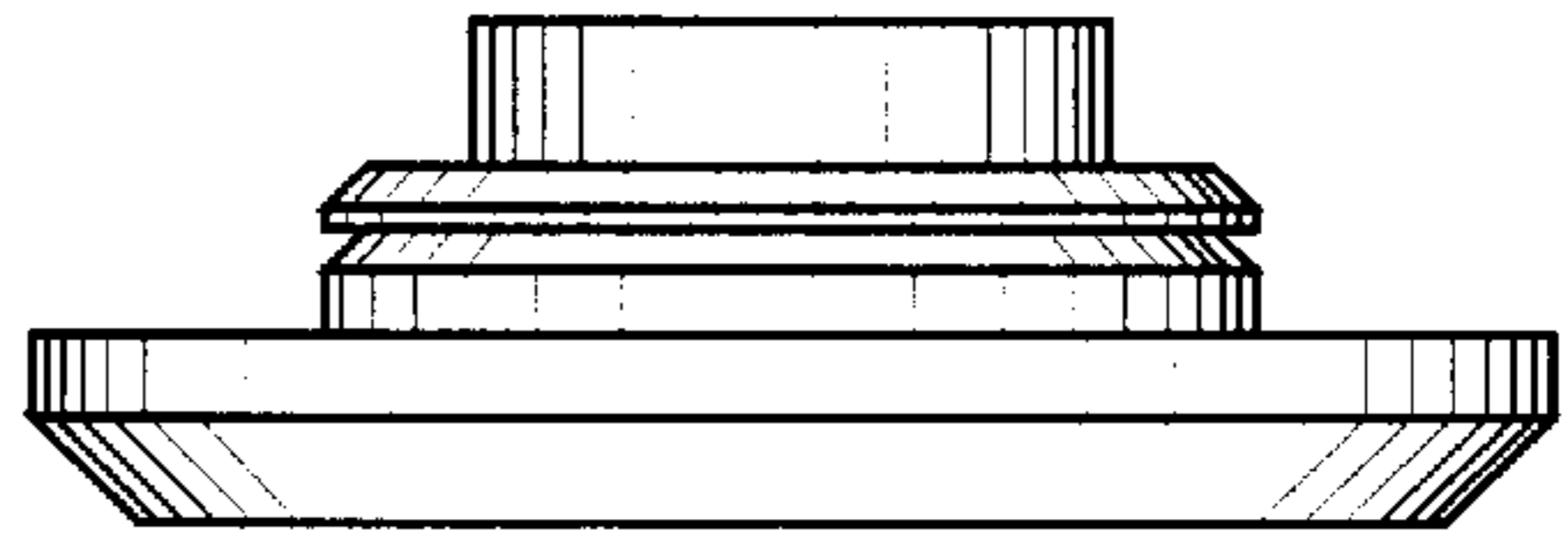


FIG. 3

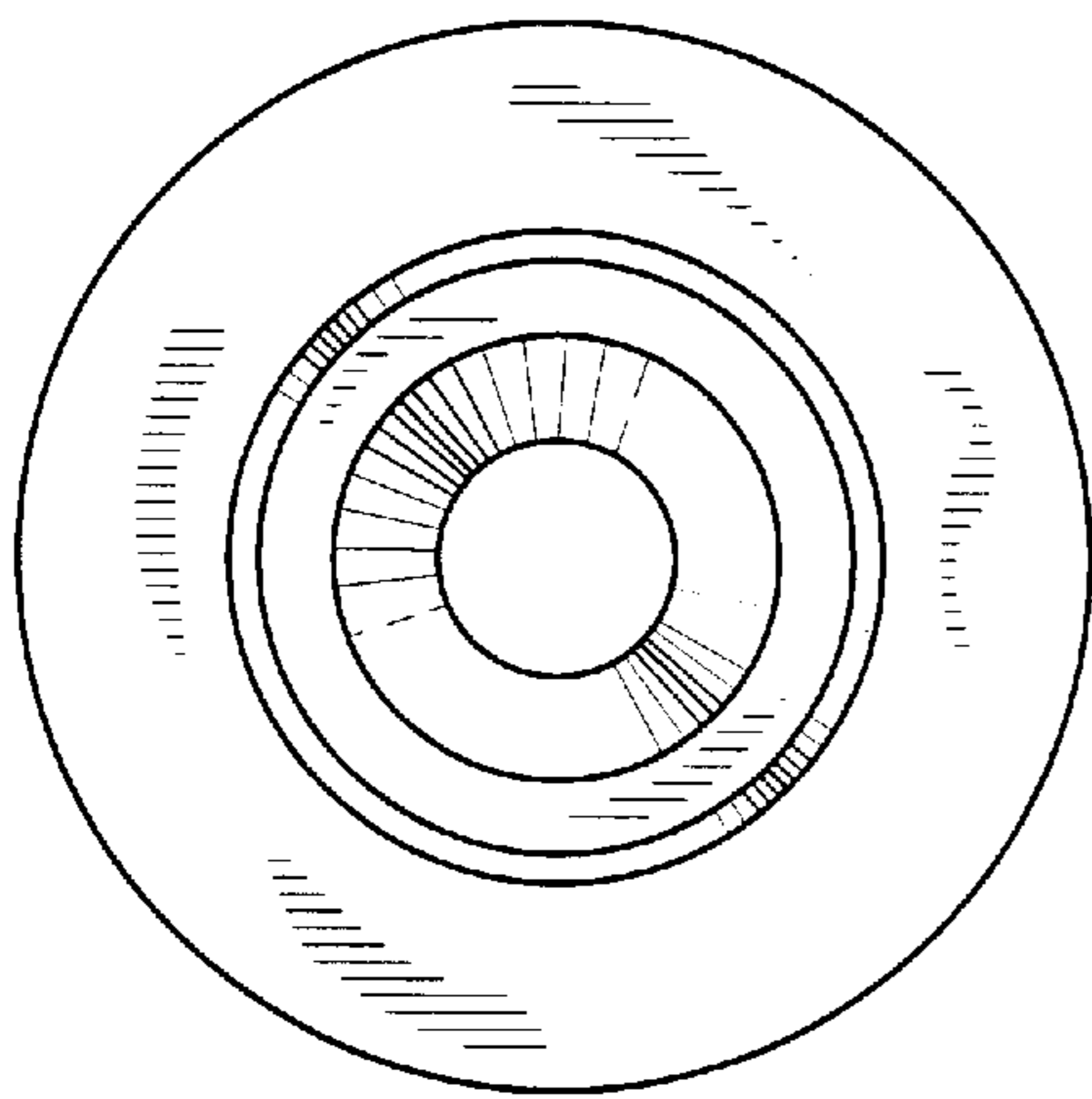


FIG. 4

