

US00D402762S

United States Patent [19] Szpur

[11] **Patent Number: Des. 402,762**

[45] **Date of Patent: **Dec. 15, 1998**

[54] **MAGNETOTHERAPY PAD**

5,707,333 1/1998 Bakst 600/9

[76] Inventor: **Roman Szpur**, 4366 Sillman Pl.,
Kettering, Ohio 45440

Primary Examiner—Stella Reid
Attorney, Agent, or Firm—Jacox, Meckstroth & Jenkins

[**] Term: **14 Years**

[57] **CLAIM**

[21] Appl. No.: **59,023**

The ornamental design of a magnetotherapy pad, as shown and described.

[22] Filed: **Aug. 20, 1996**

DESCRIPTION

[51] **LOC (6) Cl.** **24-04**

[52] **U.S. Cl.** **D24/200**

[58] **Field of Search** D24/200, 189;
600/9, 15

FIG. 1 is a perspective view of a magnetotherapy pad showing my new design;
FIG. 2 is a top view thereof;
FIG. 3 is a bottom view thereof;
FIG. 4 is an end view thereof, the opposite end view being the same; and,
FIG. 5 is a side view thereof, the opposite side view being the same.

[56] **References Cited**

U.S. PATENT DOCUMENTS

D. 234,059	1/1975	Popp et al.	D24/200
3,921,620	11/1975	Nakayama	600/15
5,226,020	7/1993	Li et al.	600/9 X
5,642,739	7/1997	Fareed	600/15

The broken line showing a strap is for illustrative purposes only and forms no part of the claimed invention.

1 Claim, 1 Drawing Sheet

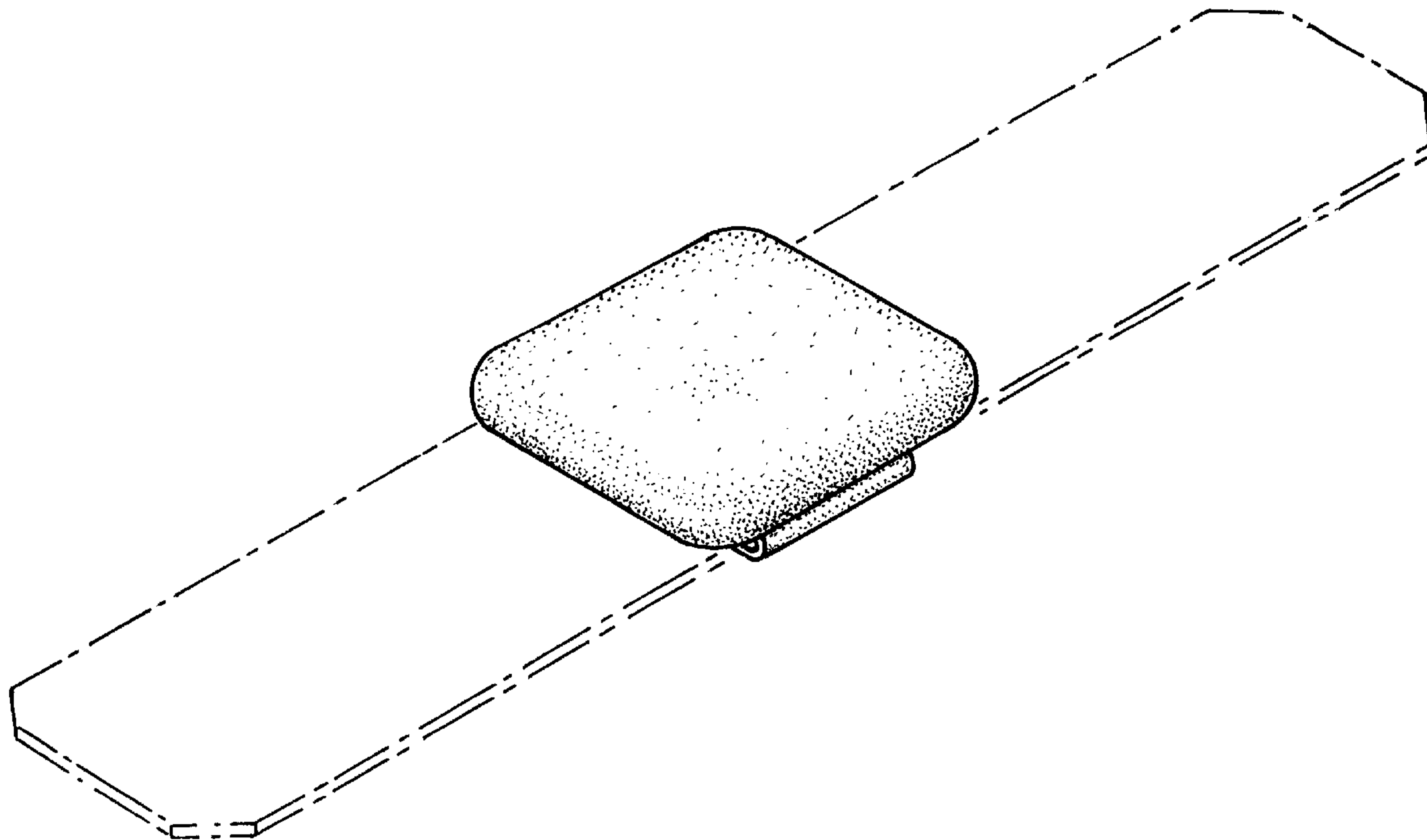


FIG-1

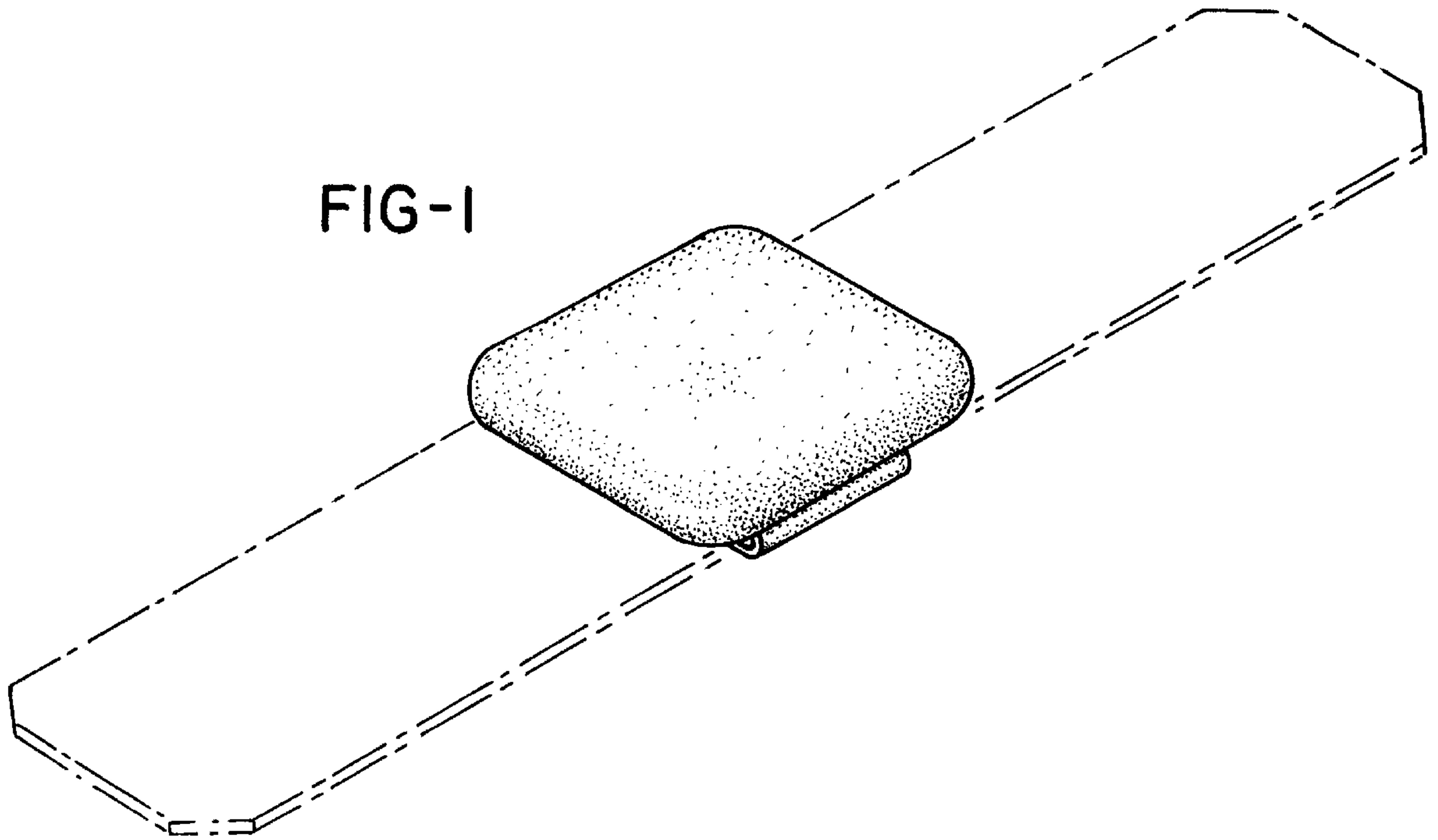


FIG-2

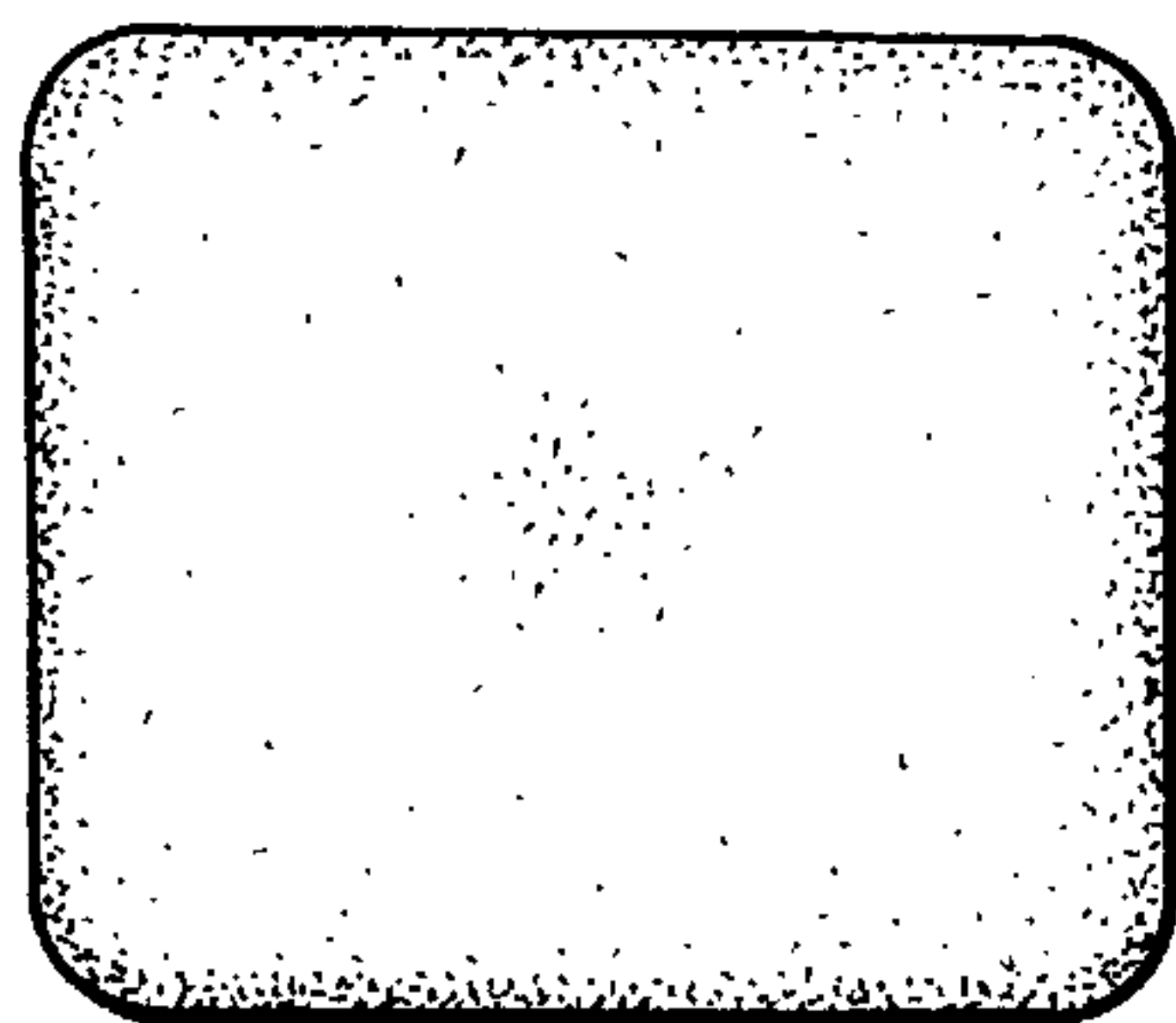


FIG-3

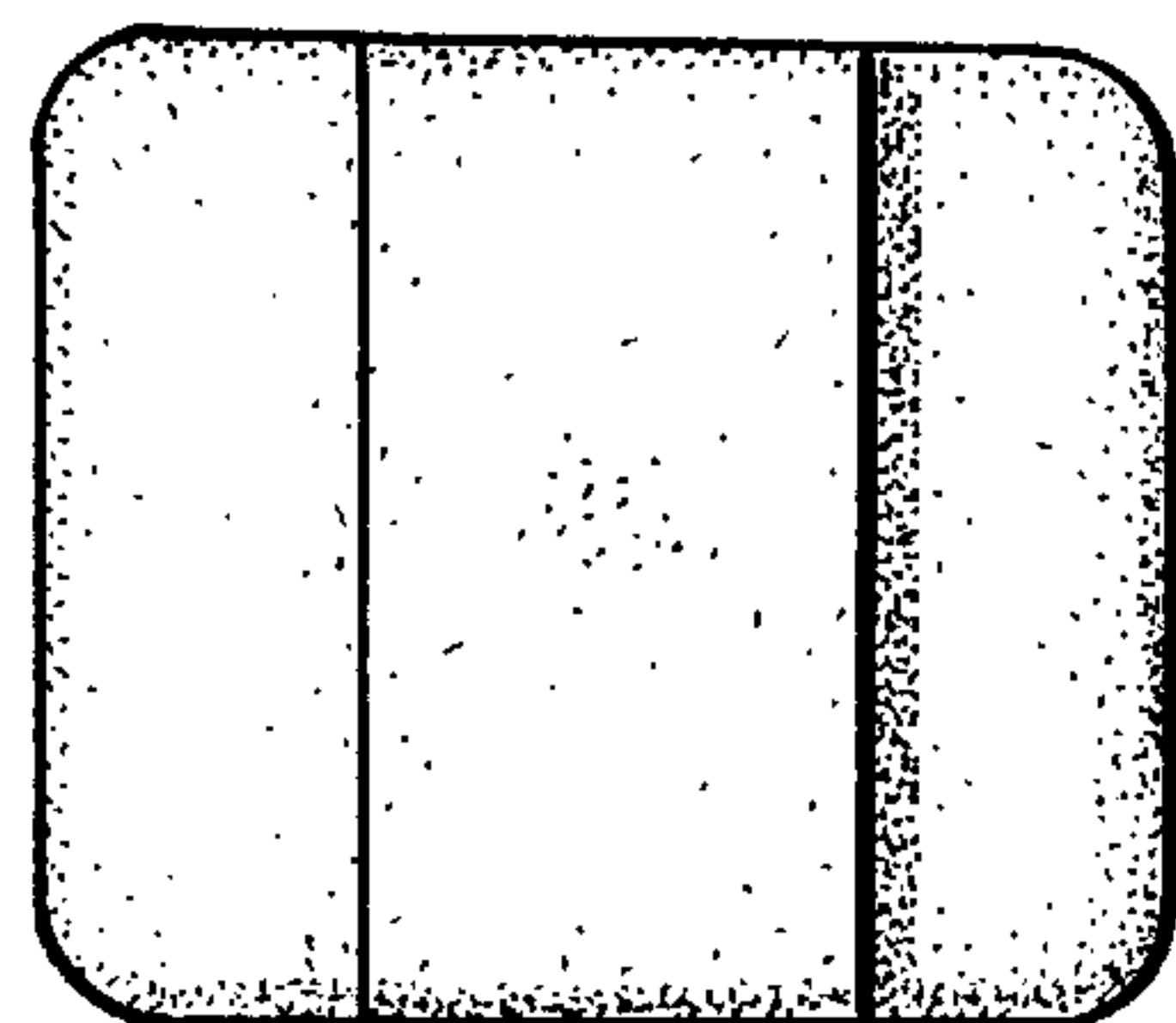


FIG-4

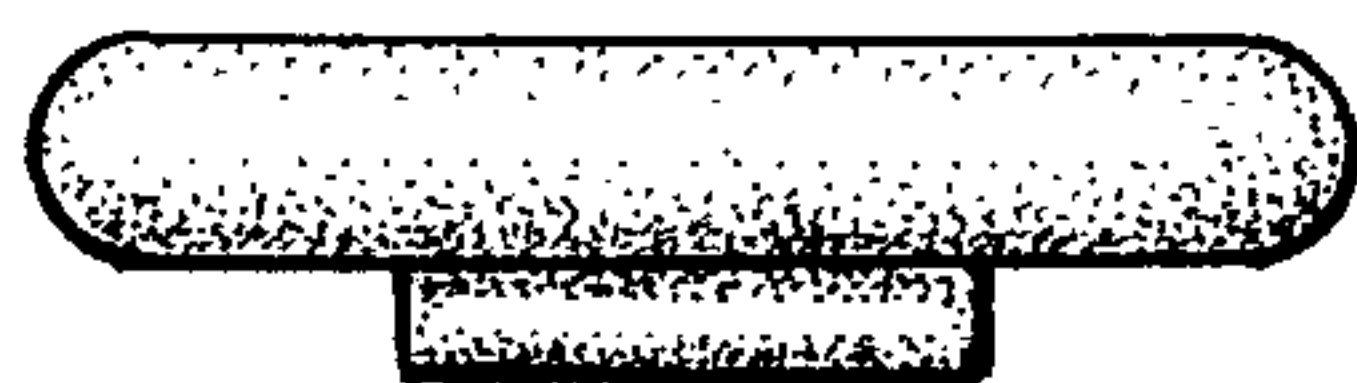


FIG-5

