



US00D402761S

# United States Patent [19]

Jones

[11] **Patent Number: Des. 402,761**

[45] **Date of Patent: \*\*Dec. 15, 1998**

[54] **COMBINED TOY AND BABY BOTTLE COVER**

D. 327,128 6/1992 Nightingale et al. .... D24/199  
5,072,843 12/1991 James ..... 215/11.1 X  
5,217,192 6/1993 Oktayuren ..... 248/102

[76] Inventor: **Betty L. Jones**, P.O. Box 115 Field La.,  
Milroy, Pa. 17076

*Primary Examiner*—Stella Reid

[\*\*] Term: **14 Years**

[57] **CLAIM**

[21] Appl. No.: **79,824**

The ornamental design for a combined toy and baby bottle cover, as shown.

[22] Filed: **Nov. 19, 1997**

### DESCRIPTION

[51] **LOC (6) Cl.** ..... **24-04**

[52] **U.S. Cl.** ..... **D24/199; D24/139**

[58] **Field of Search** ..... D24/199; 215/11.1;  
248/102, 103, 104, 105, 106, 107; D21/159

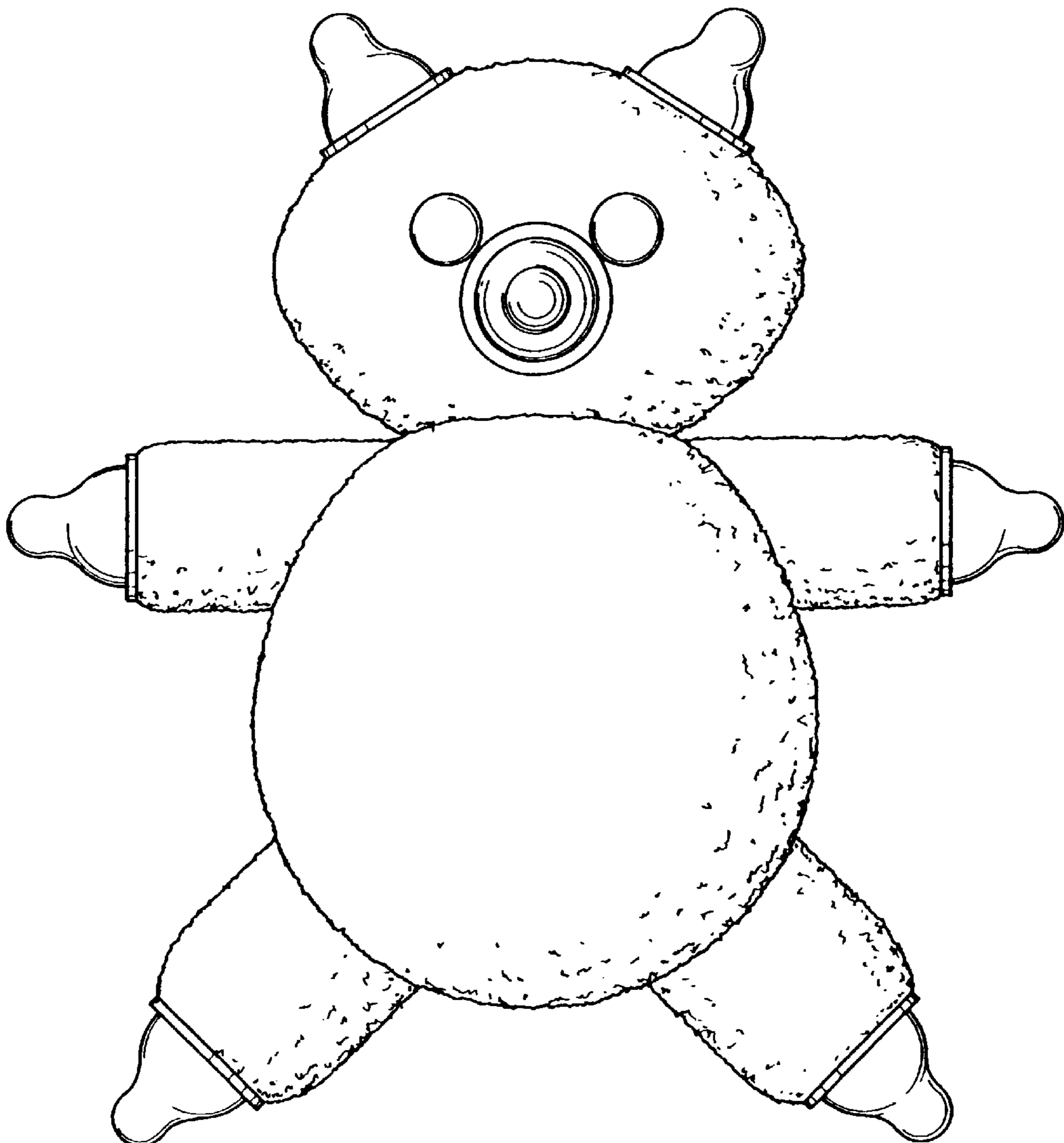
FIG. 1 is a front elevational view of a combined toy and baby bottle cover, showing my new design;  
FIG. 2 is a back elevational view thereof;  
FIG. 3 is a left side elevational view thereof;  
FIG. 4 is a right side elevational view thereof;  
FIG. 5 is a top plan view thereof; and,  
FIG. 6 is a bottom plan view thereof.

### [56] **References Cited**

#### U.S. PATENT DOCUMENTS

D. 305,346 1/1990 Roberts ..... D24/199 X  
D. 314,432 2/1991 Shaw ..... D24/199

**1 Claim, 3 Drawing Sheets**



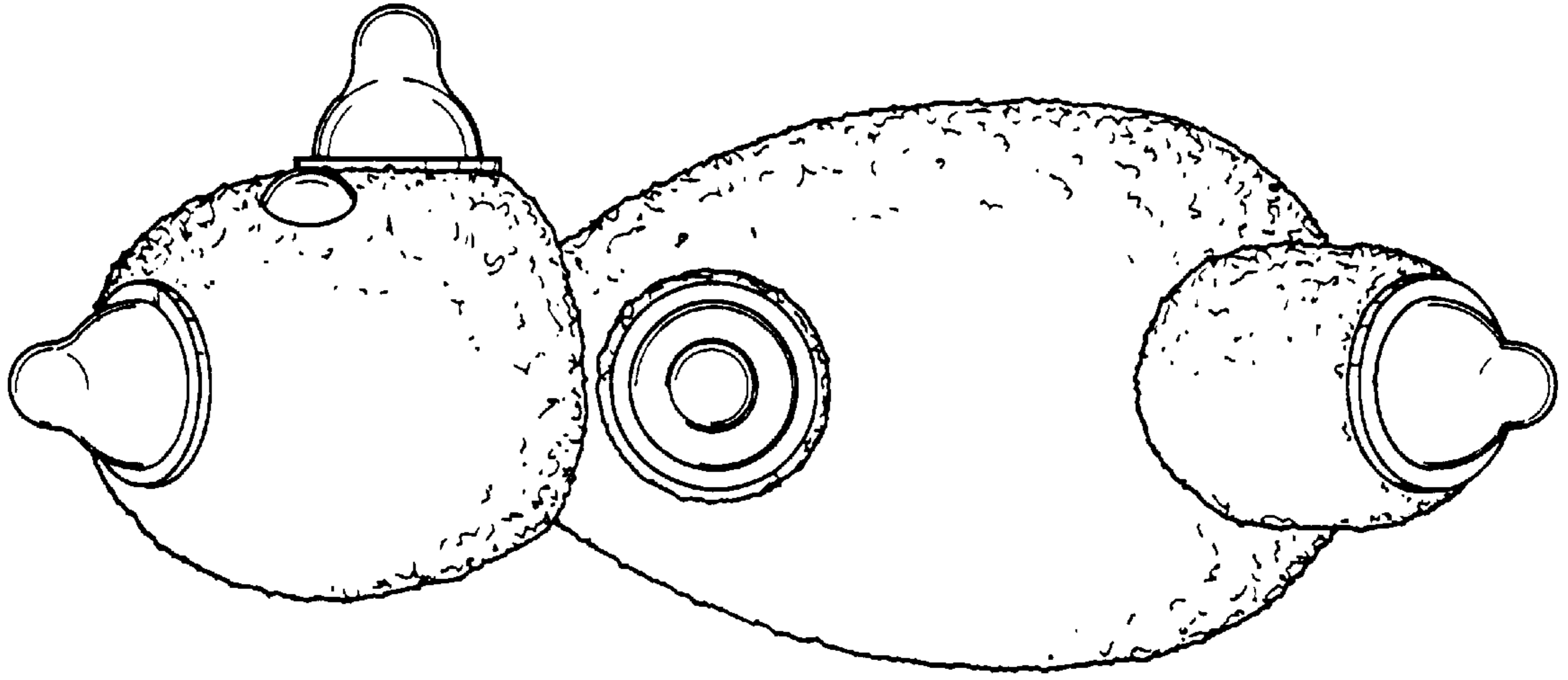


FIG. 3

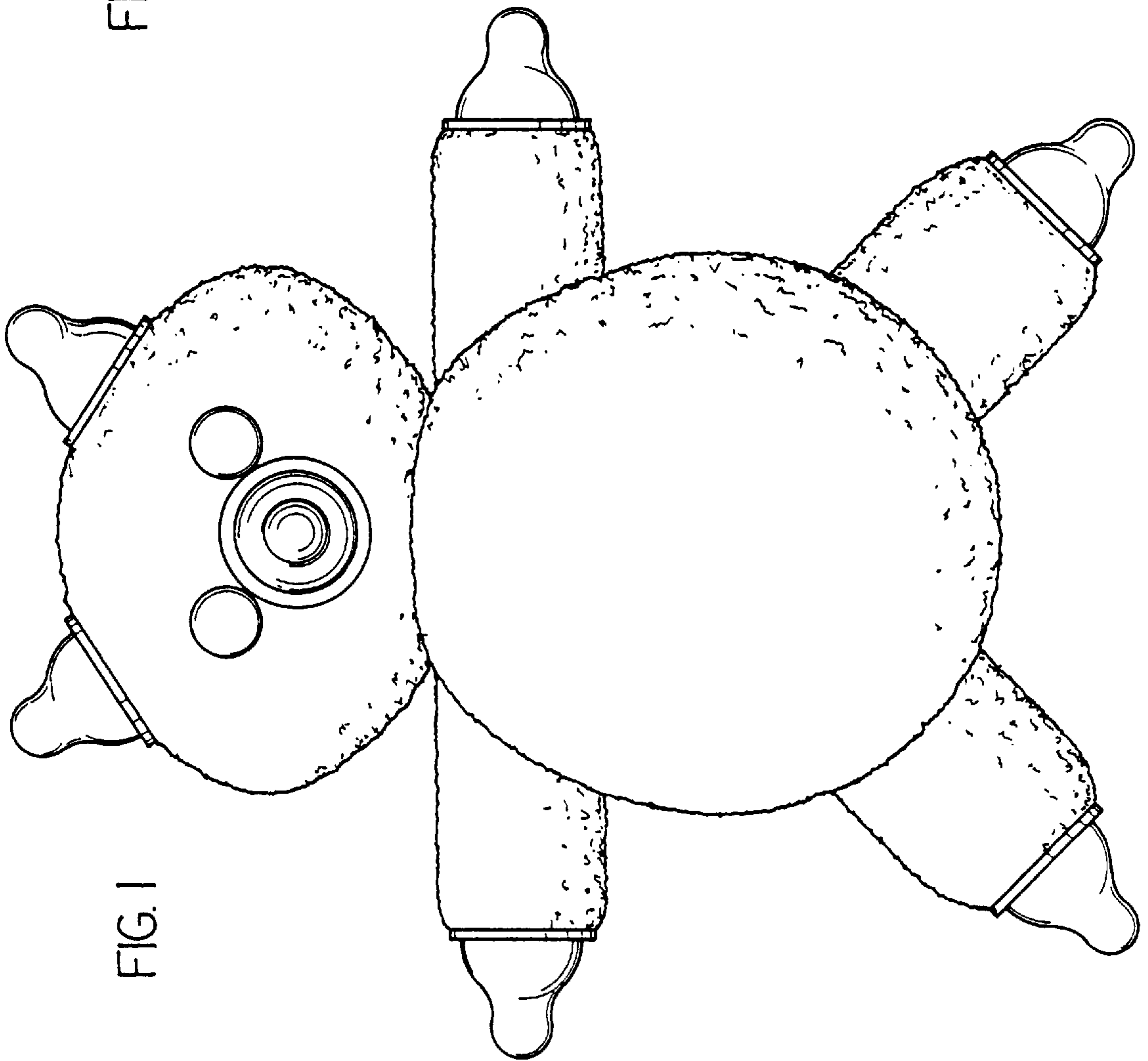


FIG. 1

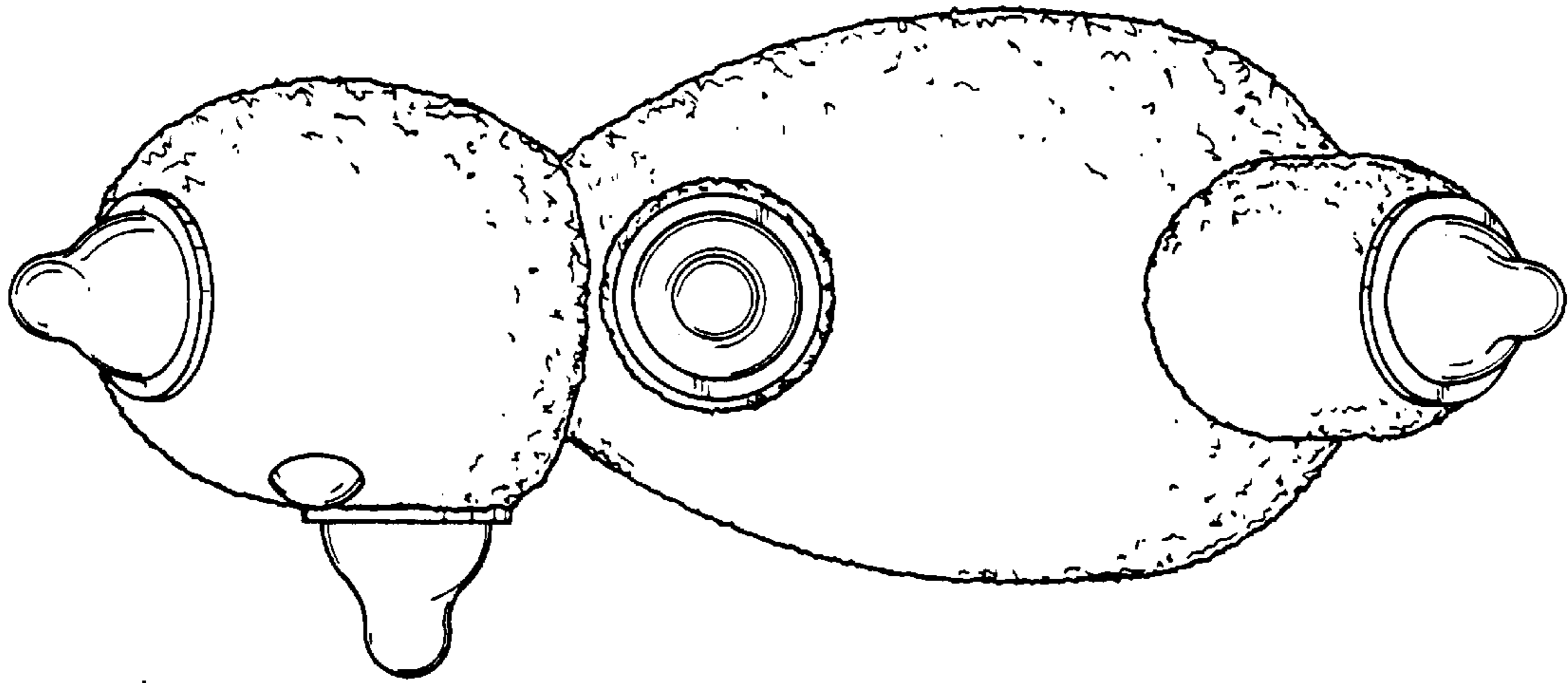


FIG. 4

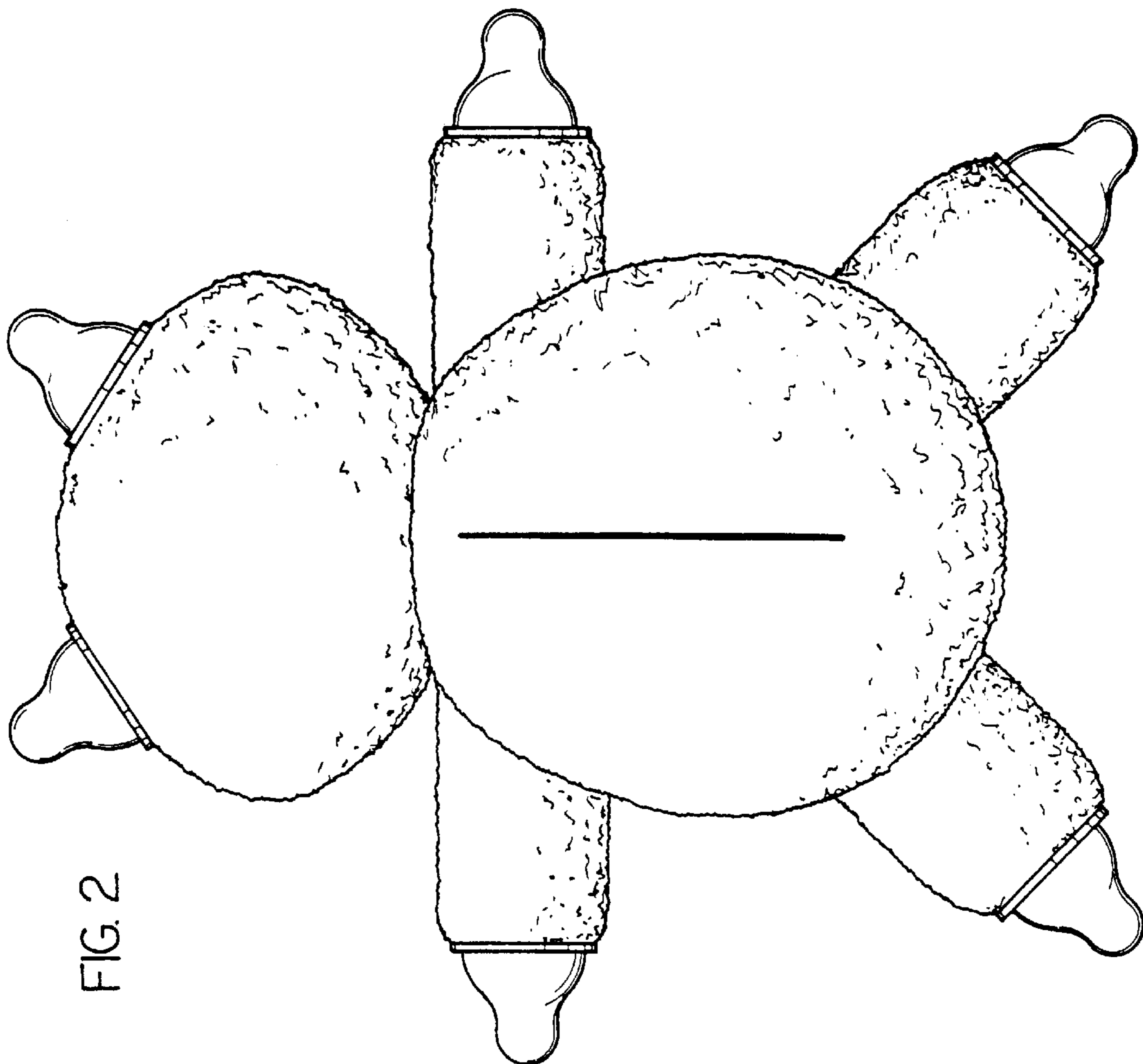


FIG. 2

FIG. 5

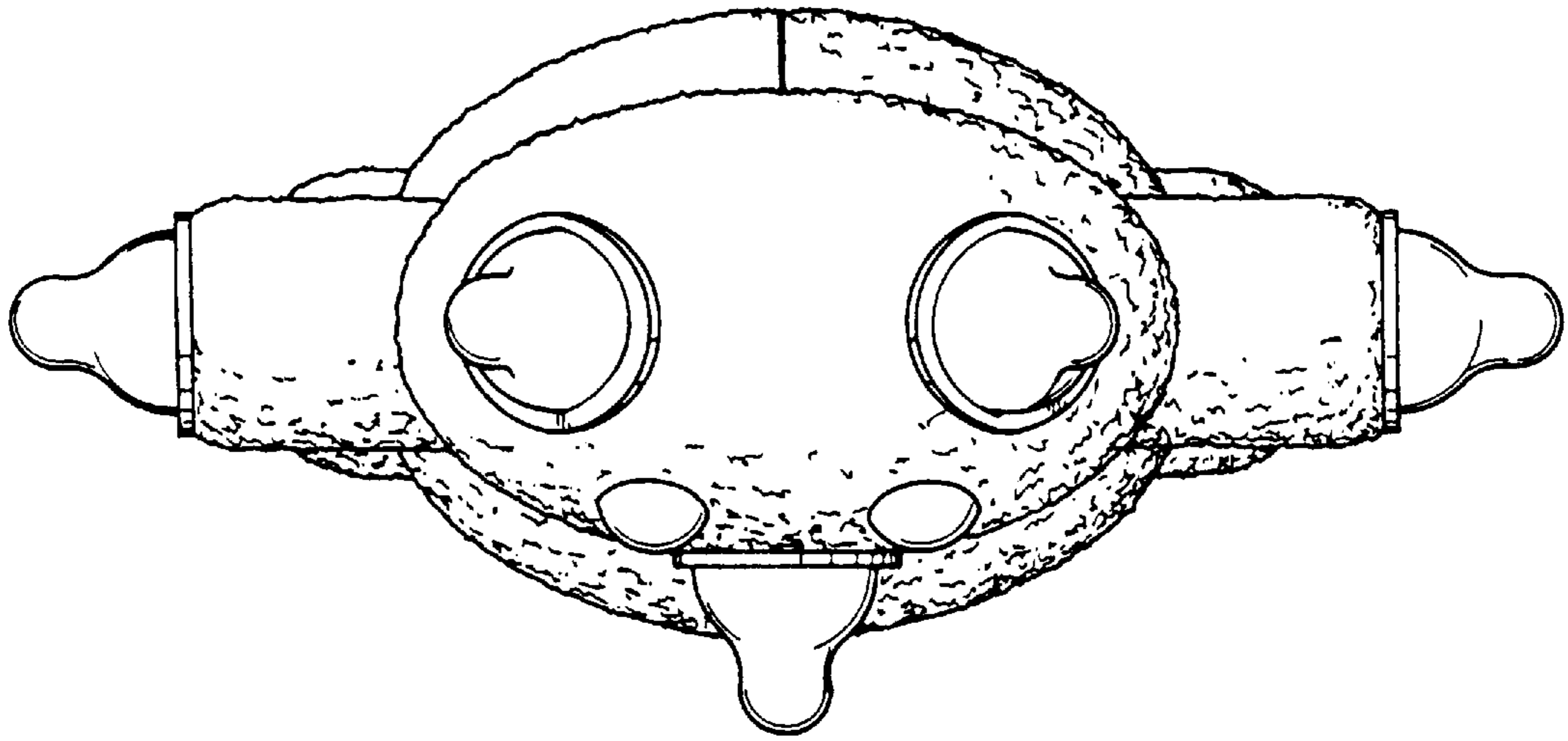


FIG. 6

