

US00D402760S

United States Patent [19] Kline

[11] **Patent Number: Des. 402,760**
[45] **Date of Patent: **Dec. 15, 1998**

[54] **COMBINED PACIFIER WITH HOLDER AND
REMOVABLE FABRIC PACIFIER
SECUREMENT MEANS**

4,697,589 10/1987 King et al. 606/234
5,534,014 7/1996 Demeritt et al. 606/236
5,665,113 9/1997 Decker et al. 606/234

[76] Inventor: **Maggie R. Kline**, 610 Temple, Long
Beach, Calif. 90814

Primary Examiner—Stella Reid

[**] Term: **14 Years**

[57] **CLAIM**

[21] Appl. No.: **72,123**

The ornamental design for a combined pacifier with holder and removable fabric pacifier securement means, as shown and described.

[22] Filed: **Jun. 9, 1997**

DESCRIPTION

[51] **LOC (6) Cl.** **24-04**

[52] **U.S. Cl.** **D24/194**

[58] **Field of Search** D24/194, 193;
606/234, 235, 236

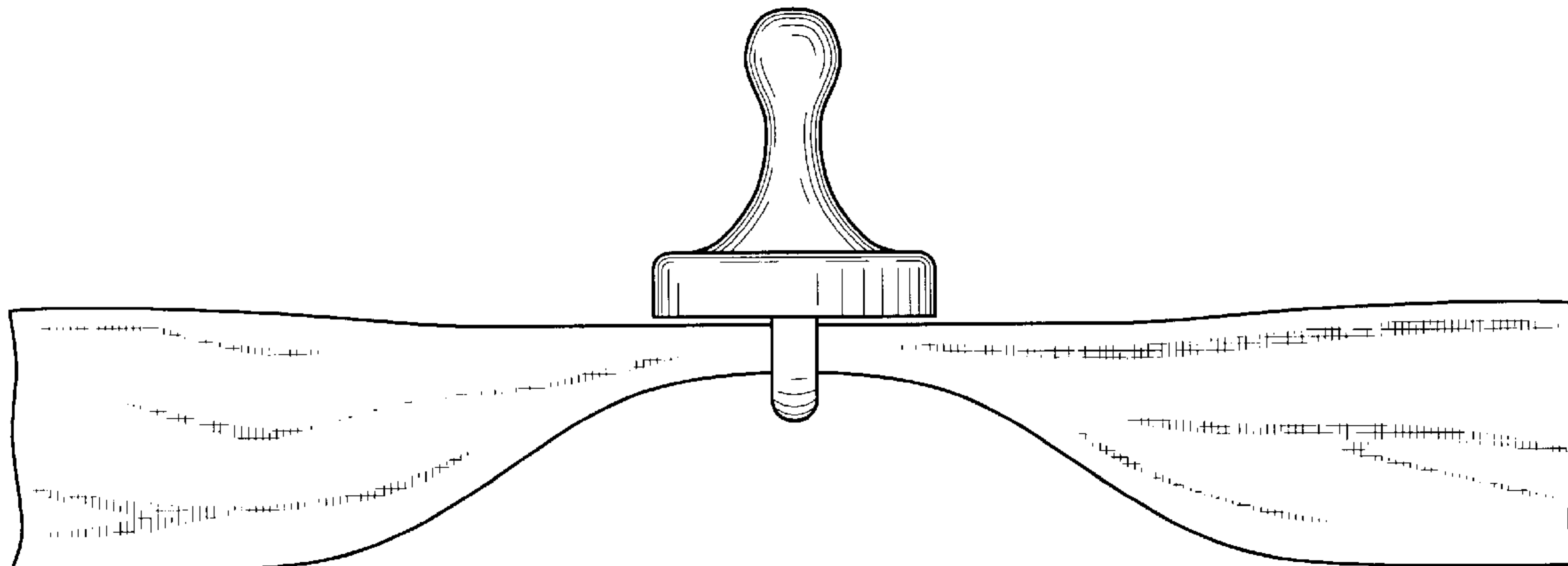
FIG. 1 is a front elevational view of the combined pacifier with holder and removable fabric pacifier securement means showing my new design;
FIG. 2 is a rear elevational view thereof;
FIG. 3 is a right side view thereof;
FIG. 4 is a left side view thereof;
FIG. 5 is a top plan view thereof; and,
FIG. 6 is a bottom plan view thereof.

[56] **References Cited**

U.S. PATENT DOCUMENTS

D. 337,385 7/1993 Lessier D24/194
D. 358,653 5/1995 Thomas D24/193
D. 380,268 6/1997 Krause et al. D24/193

1 Claim, 3 Drawing Sheets



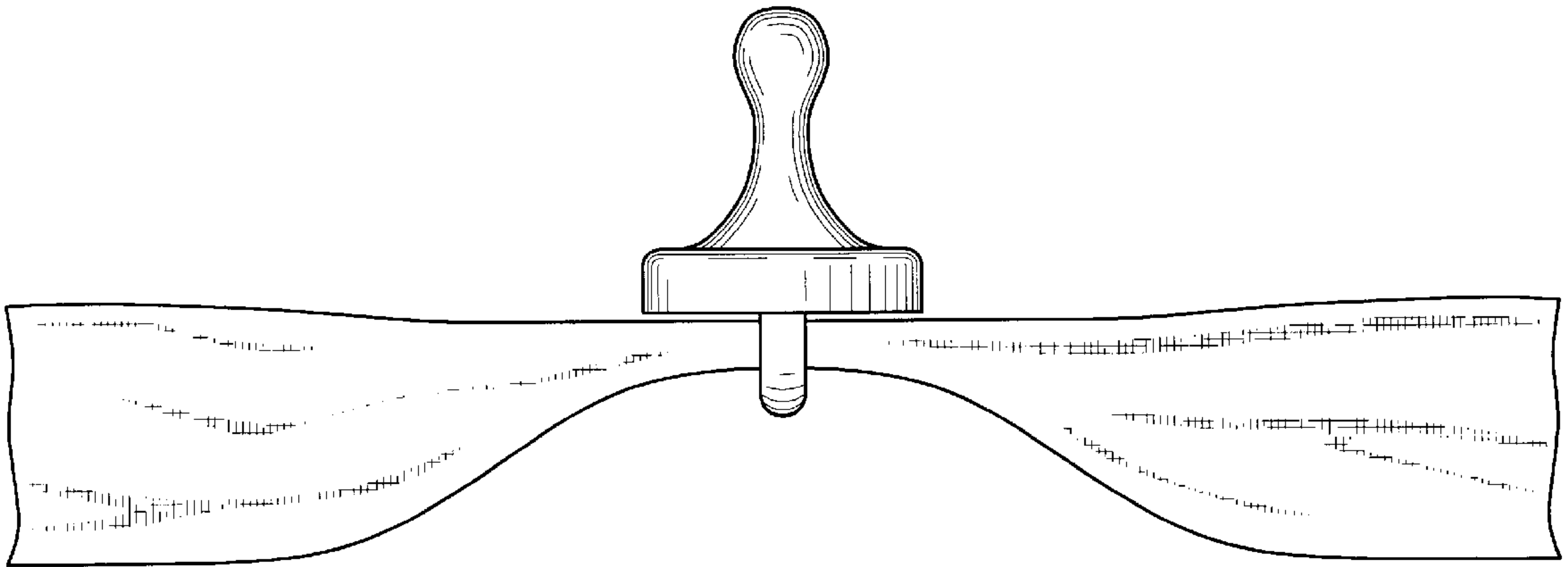


Fig. 1

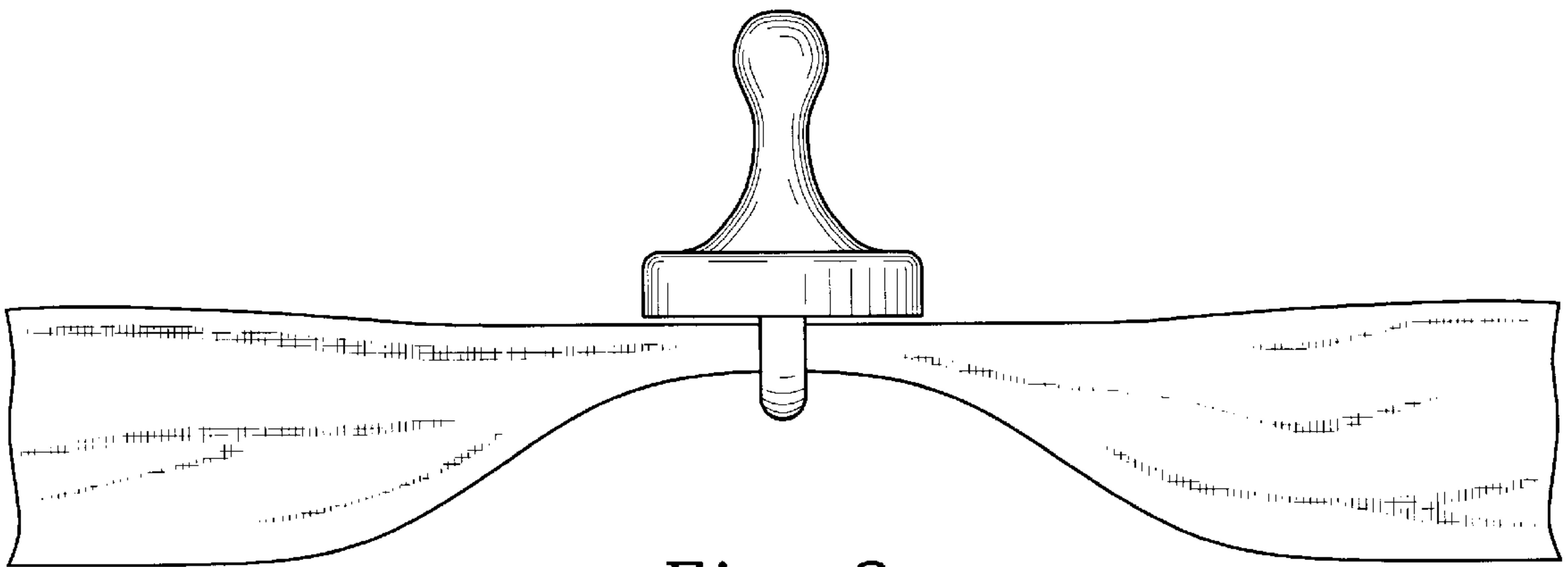


Fig. 2

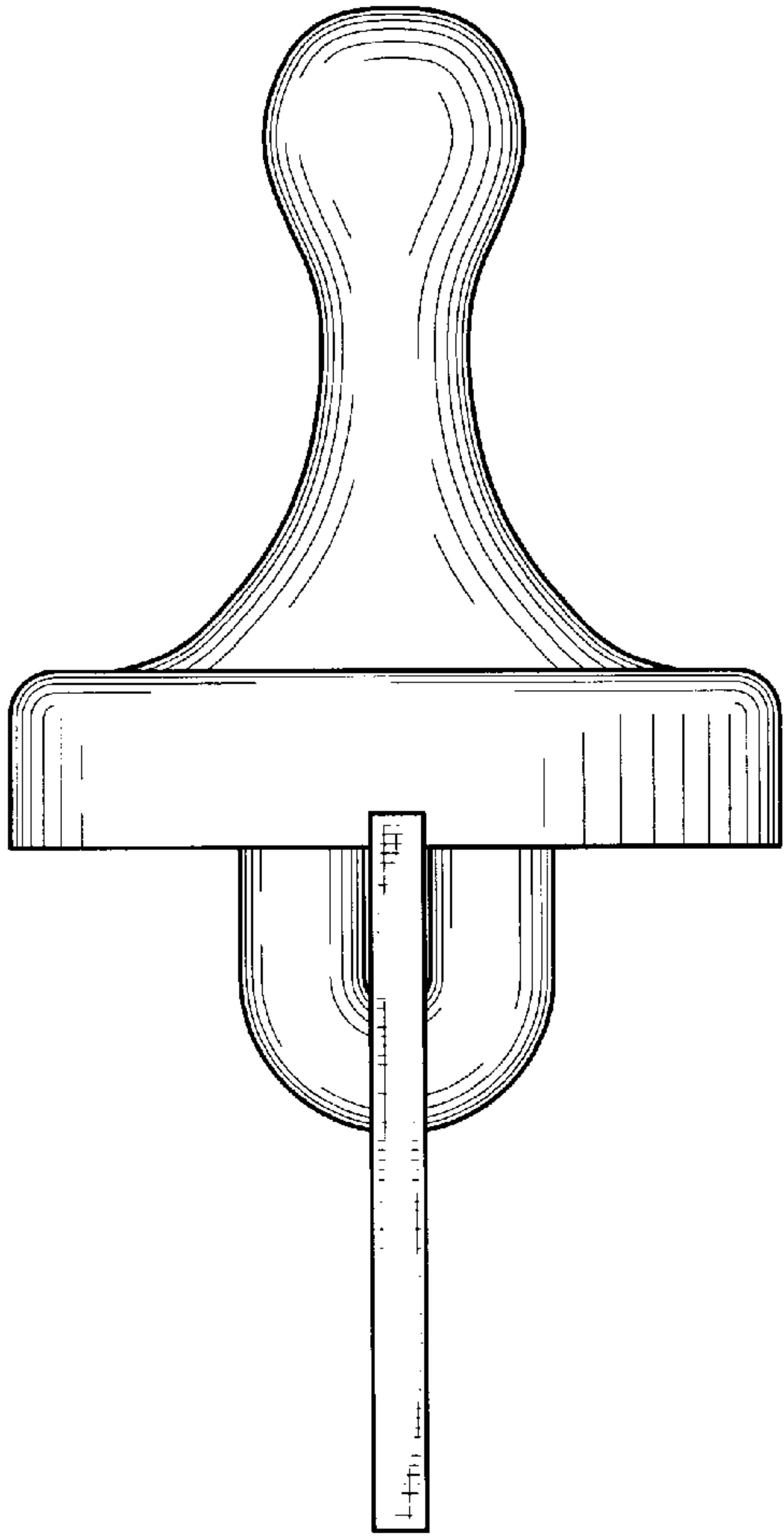


Fig. 3

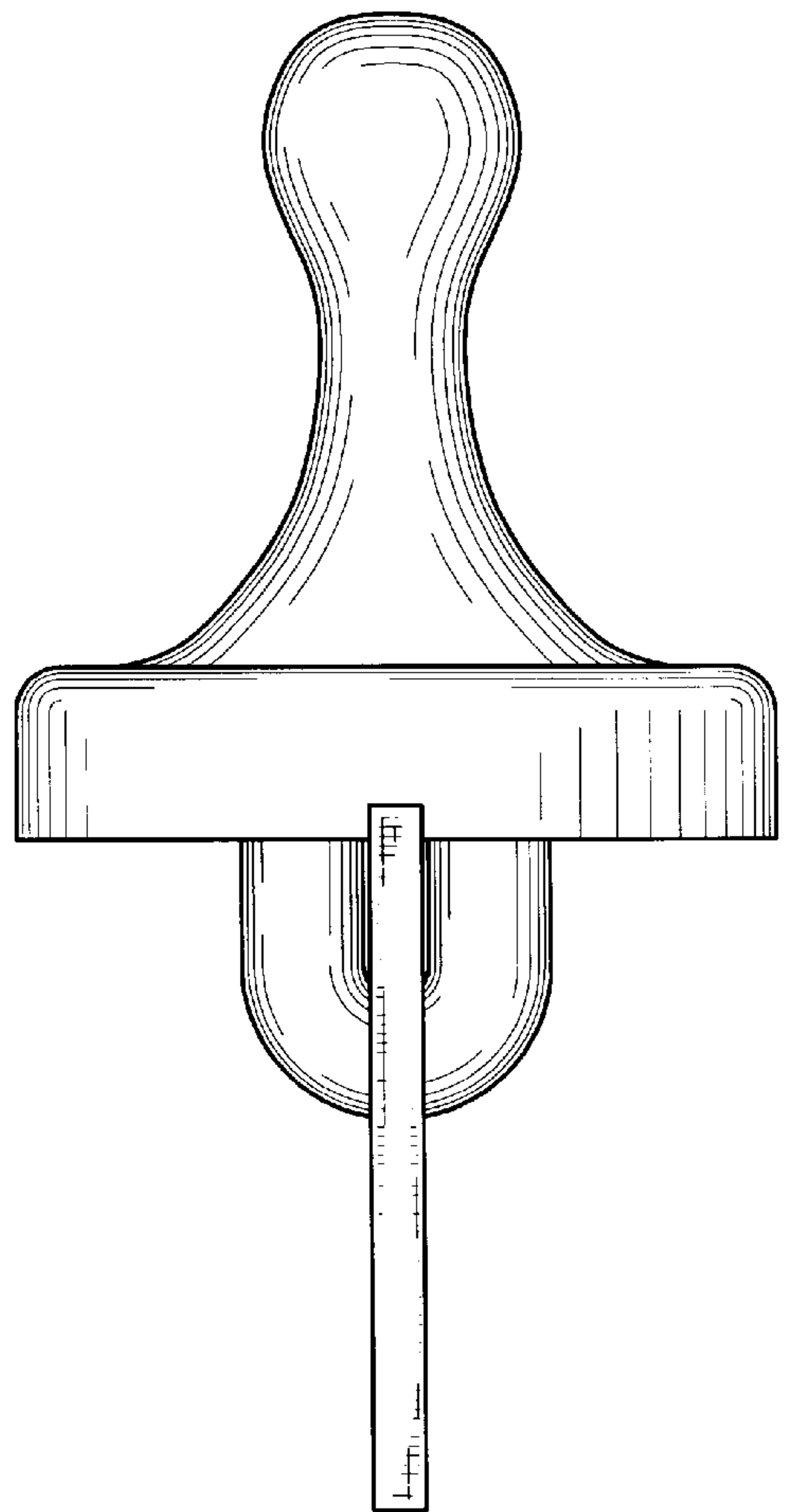


Fig. 4

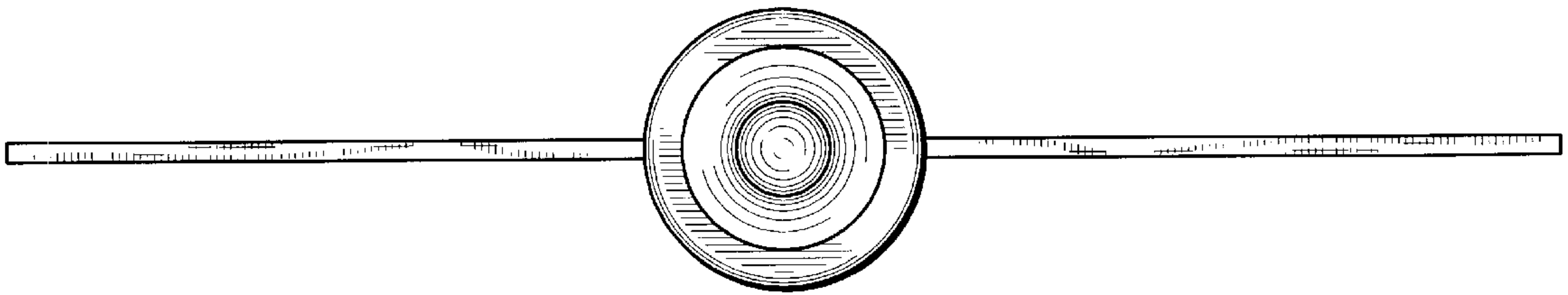


Fig. 5

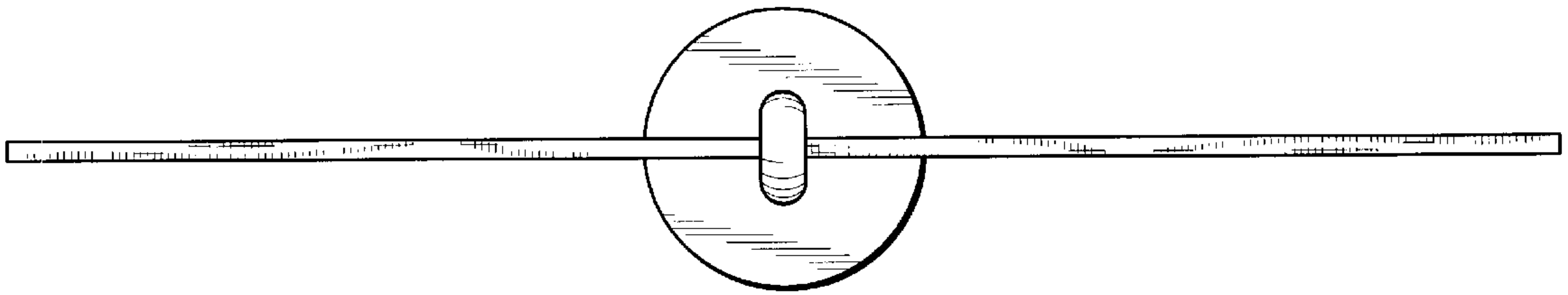


Fig. 6