



US00D402751S

United States Patent [19]
Gee, II

[11] **Patent Number: Des. 402,751**

[45] **Date of Patent: **Dec. 15, 1998**

[54] **COMBINED MOUNTING CANOPY, MOTOR AND SWITCH HOUSING AND BLADE IRONS UNIT FOR A CEILING FAN**

OTHER PUBLICATIONS

Key Wester Collection Advertising Brochure, p. 2, Ceiling Fan A, top right side of page.

[75] Inventor: **Jack W. Gee, II**, Huntsville, Ala.

Primary Examiner—Lisa Lichtenstein
Attorney, Agent, or Firm—Baker, Donelson, Bearman & Caldwell

[73] Assignee: **Hunter Fan Company**, Memphis, Tenn.

[**] Term: **14 Years**

[57] **CLAIM**

The ornamental design for a combined mounting canopy, motor and switch housing and blade irons unit for a ceiling fan, as shown.

[21] Appl. No.: **75,393**

[22] Filed: **Aug. 19, 1997**

DESCRIPTION

[51] **LOC (6) Cl.** **23-04**

FIG. 1 is a perspective view of a combined mounting canopy, motor and switch housing and blade irons unit for a ceiling fan showing my new design;
FIG. 2 is a front view thereof;
FIG. 3 is a right-side view thereof;
FIG. 4 is a rear view thereof;
FIG. 5 is a left-side view thereof;
FIG. 6 is a top view thereof; and,
FIG. 7 is a bottom view thereof.

[52] **U.S. Cl.** **D23/411; D23/377**

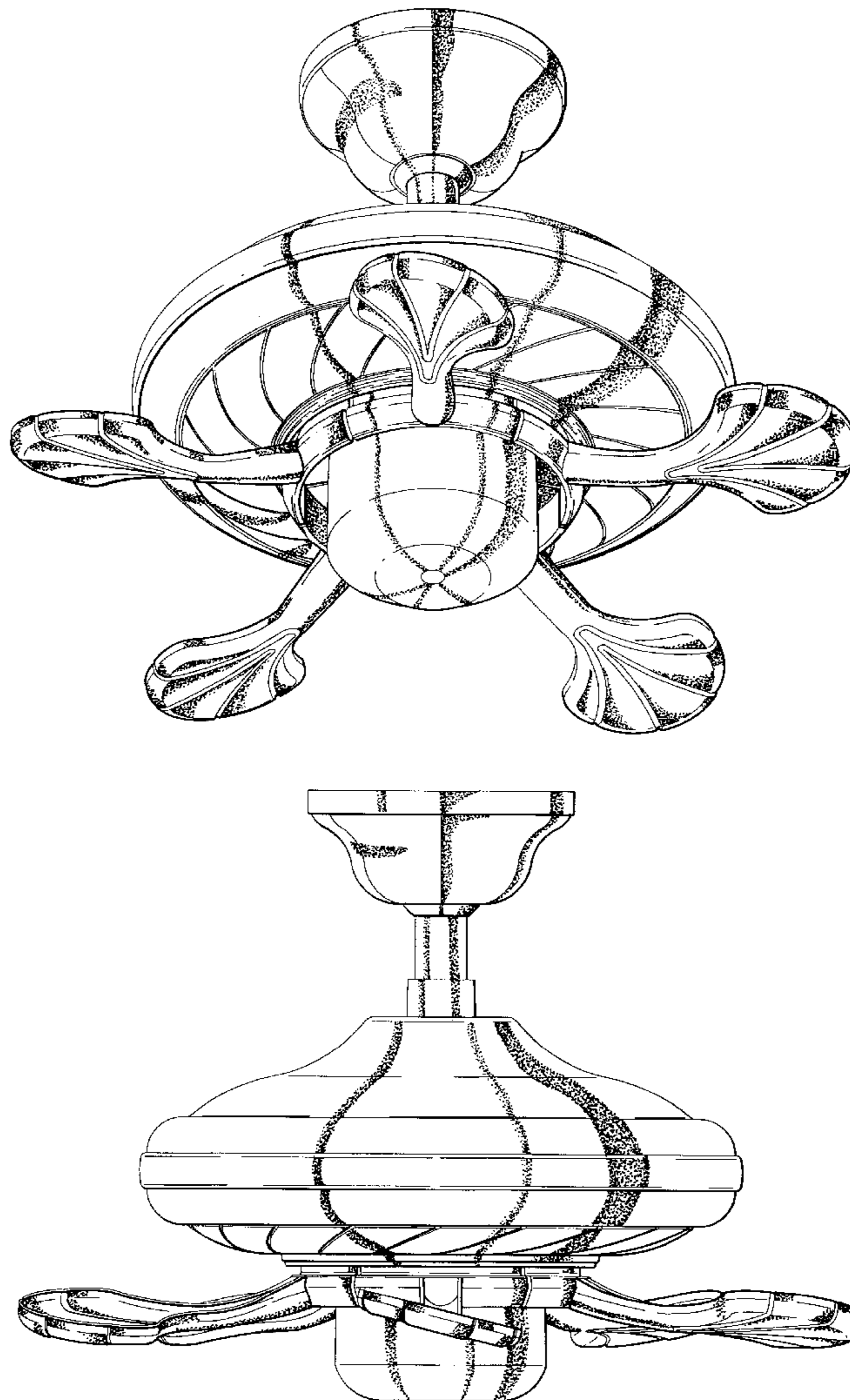
[58] **Field of Search** D23/377, 379,
D23/385, 411; 416/5; 392/364; 362/96;
D26/81-86, 72, 88, 51, 59

[56] **References Cited**

U.S. PATENT DOCUMENTS

- D. 377,084 12/1996 DiPasquale D23/379
- D. 389,237 1/1998 Jaspers-Fayer et al. D23/411

1 Claim, 7 Drawing Sheets



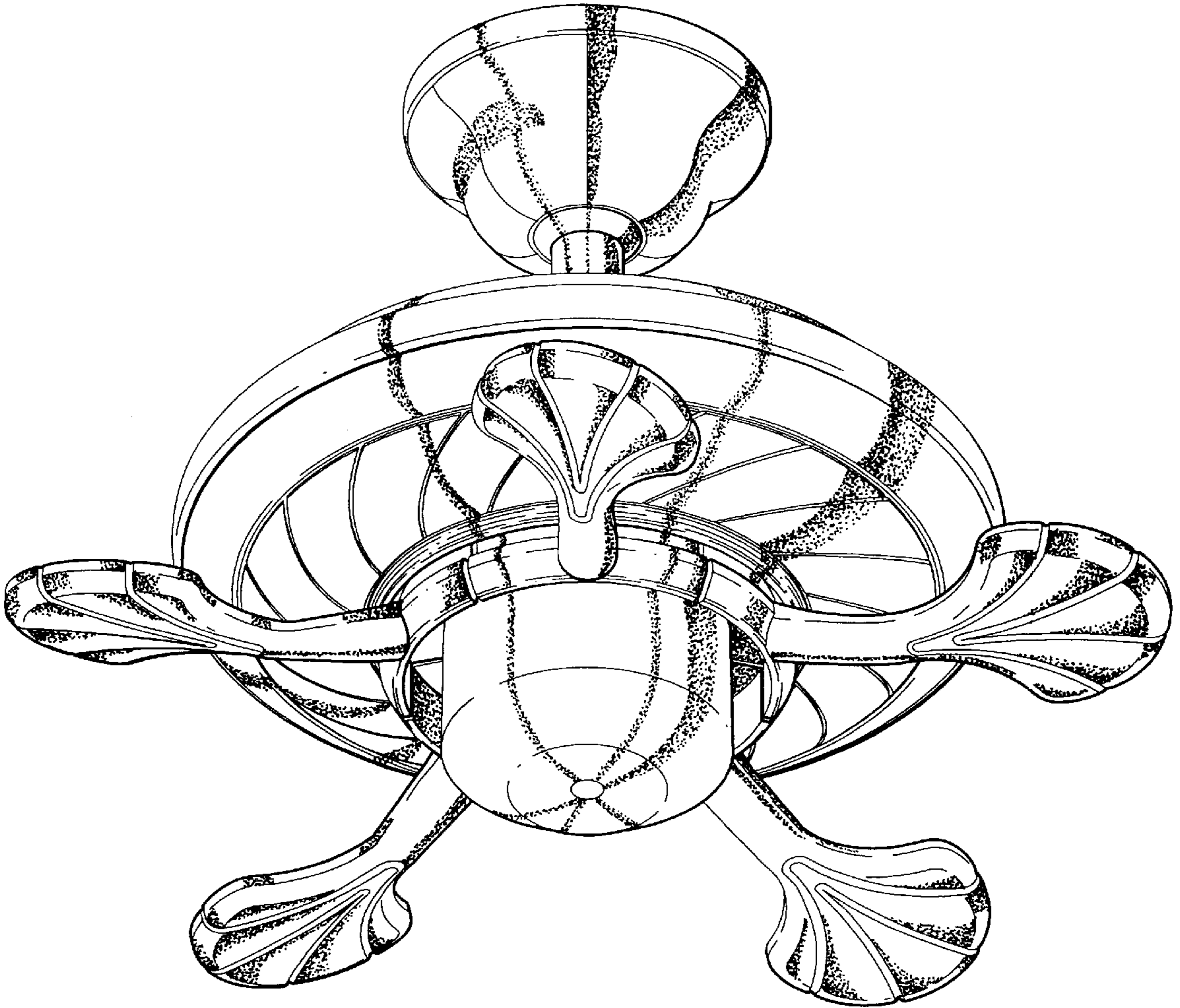


FIG 1

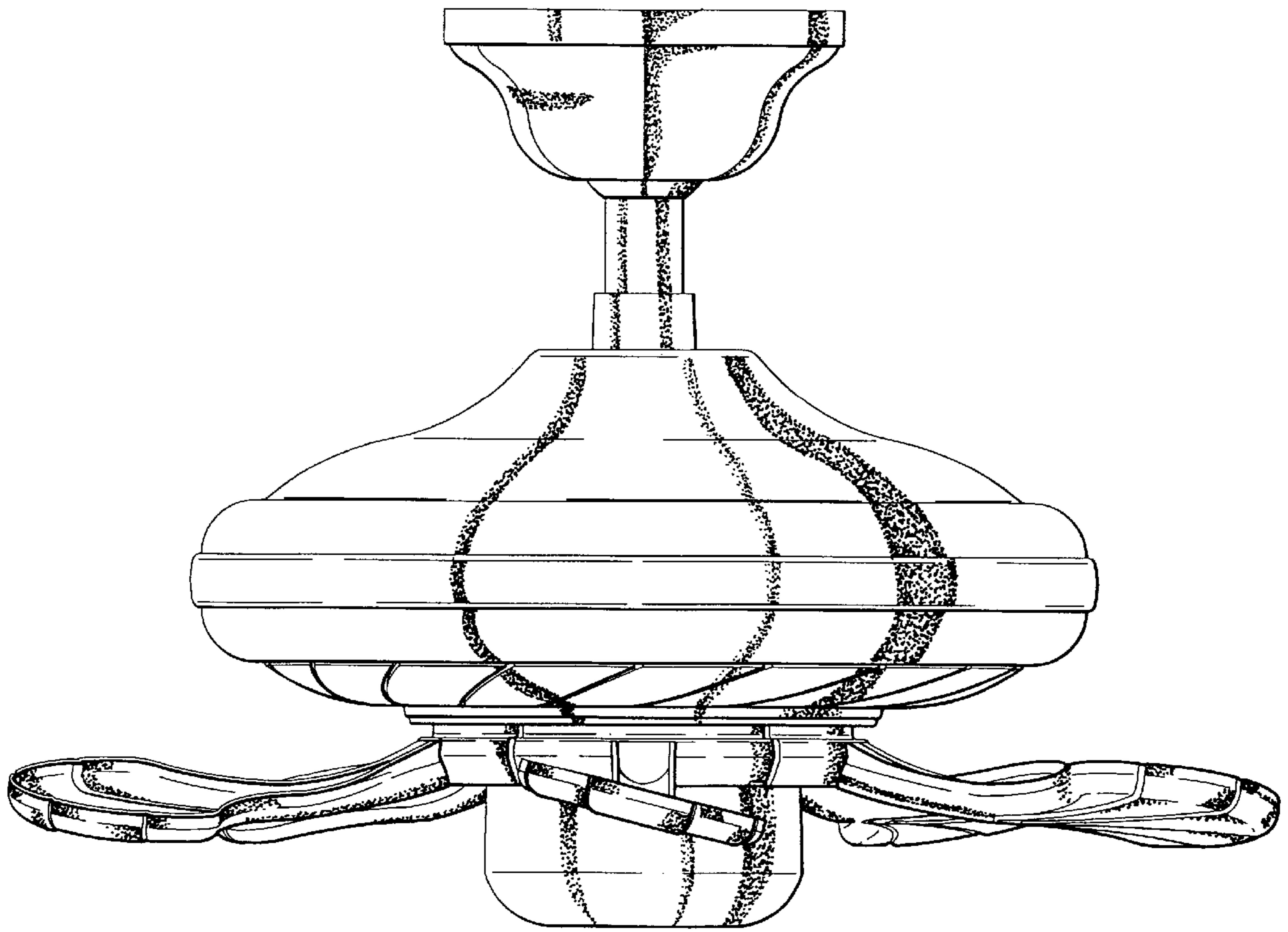


FIG 2

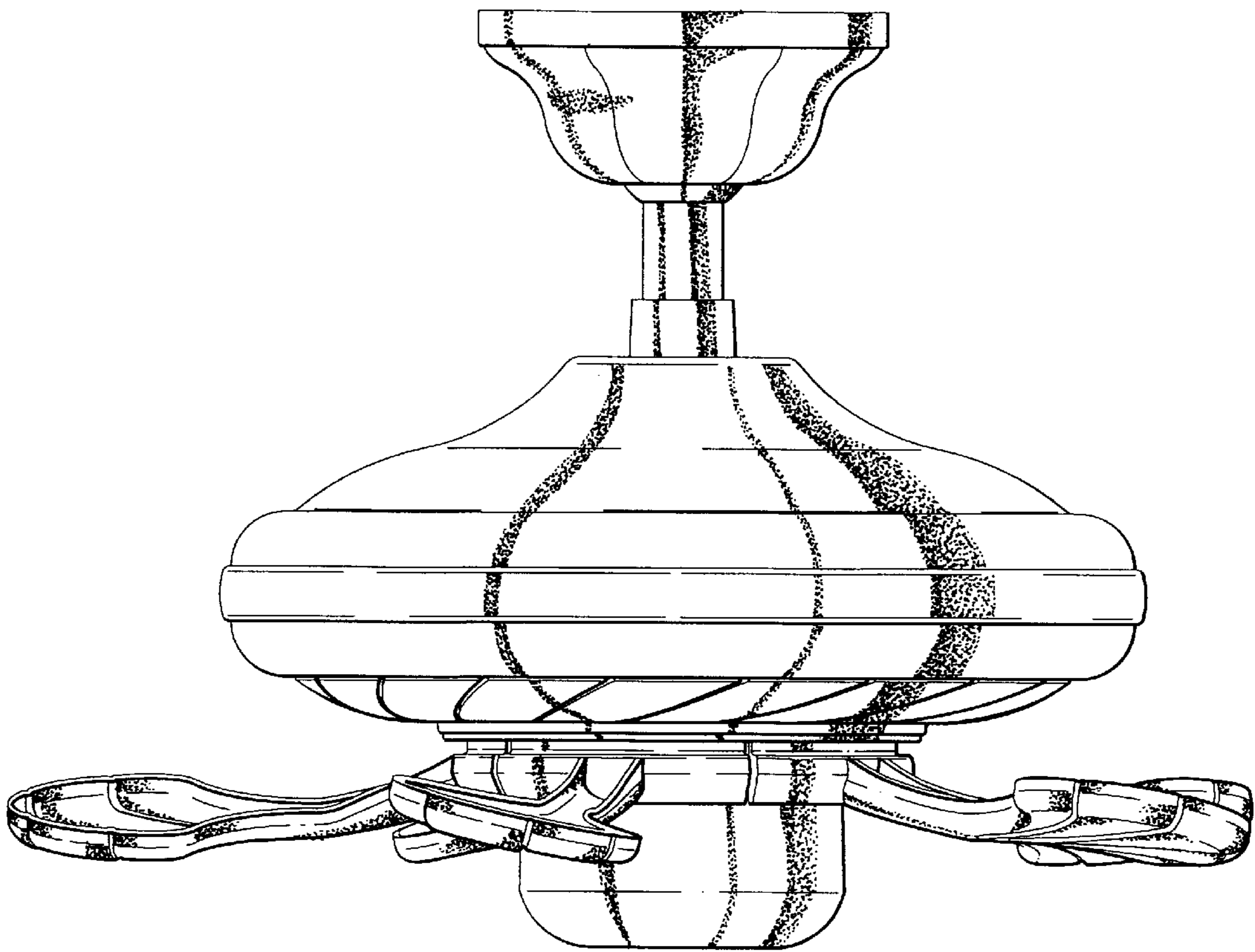


FIG 3

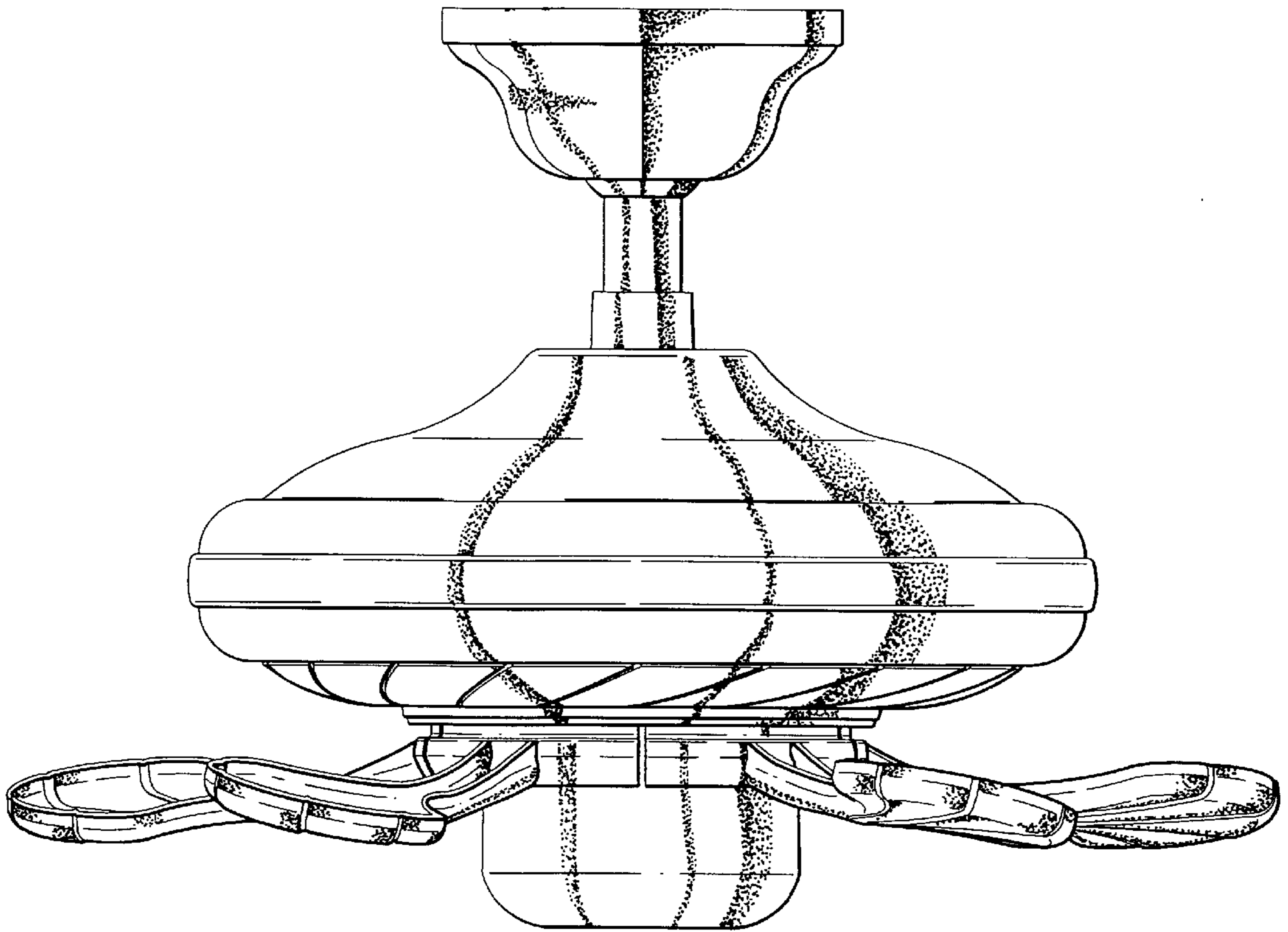


FIG 4

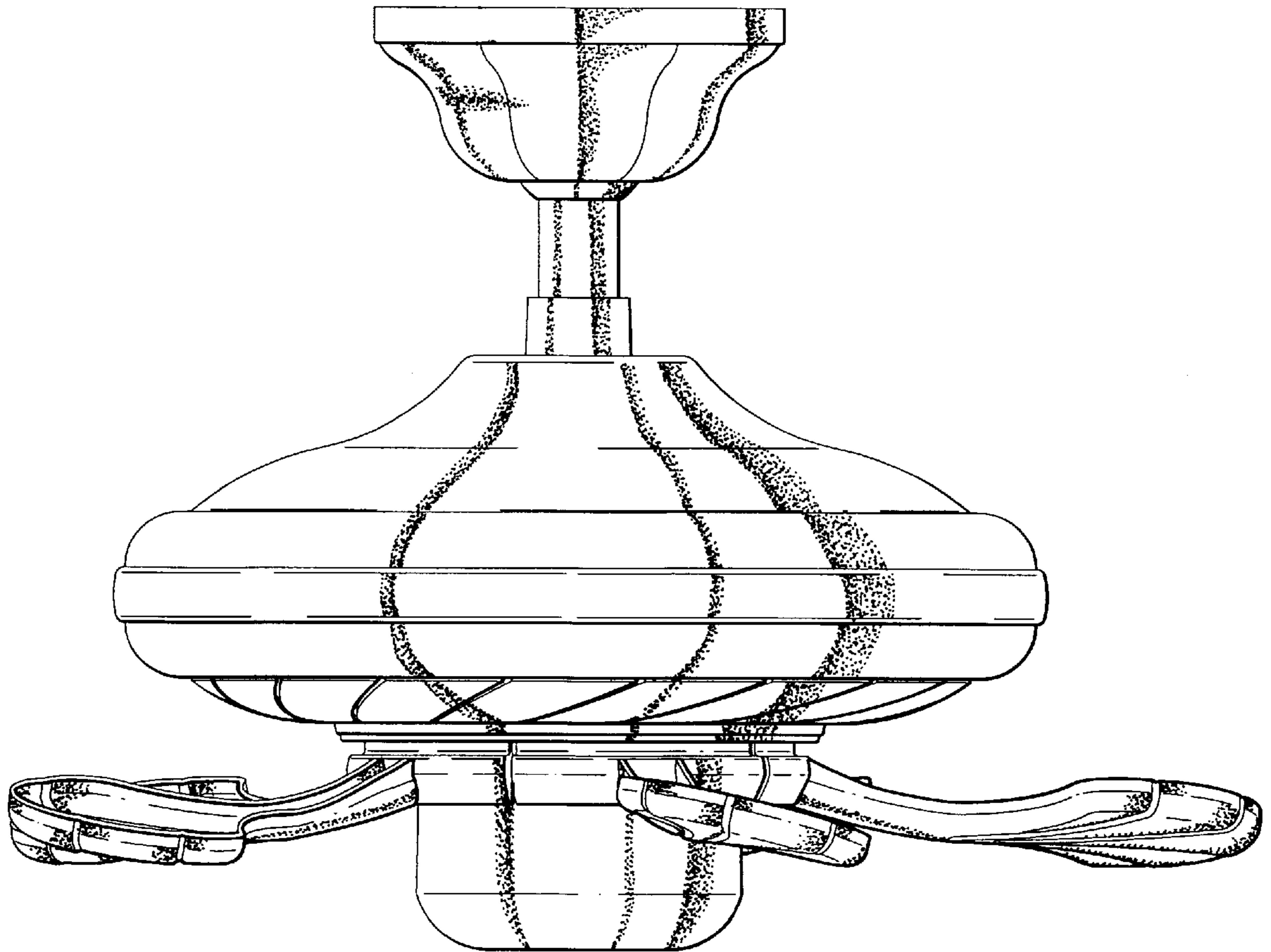


FIG 5

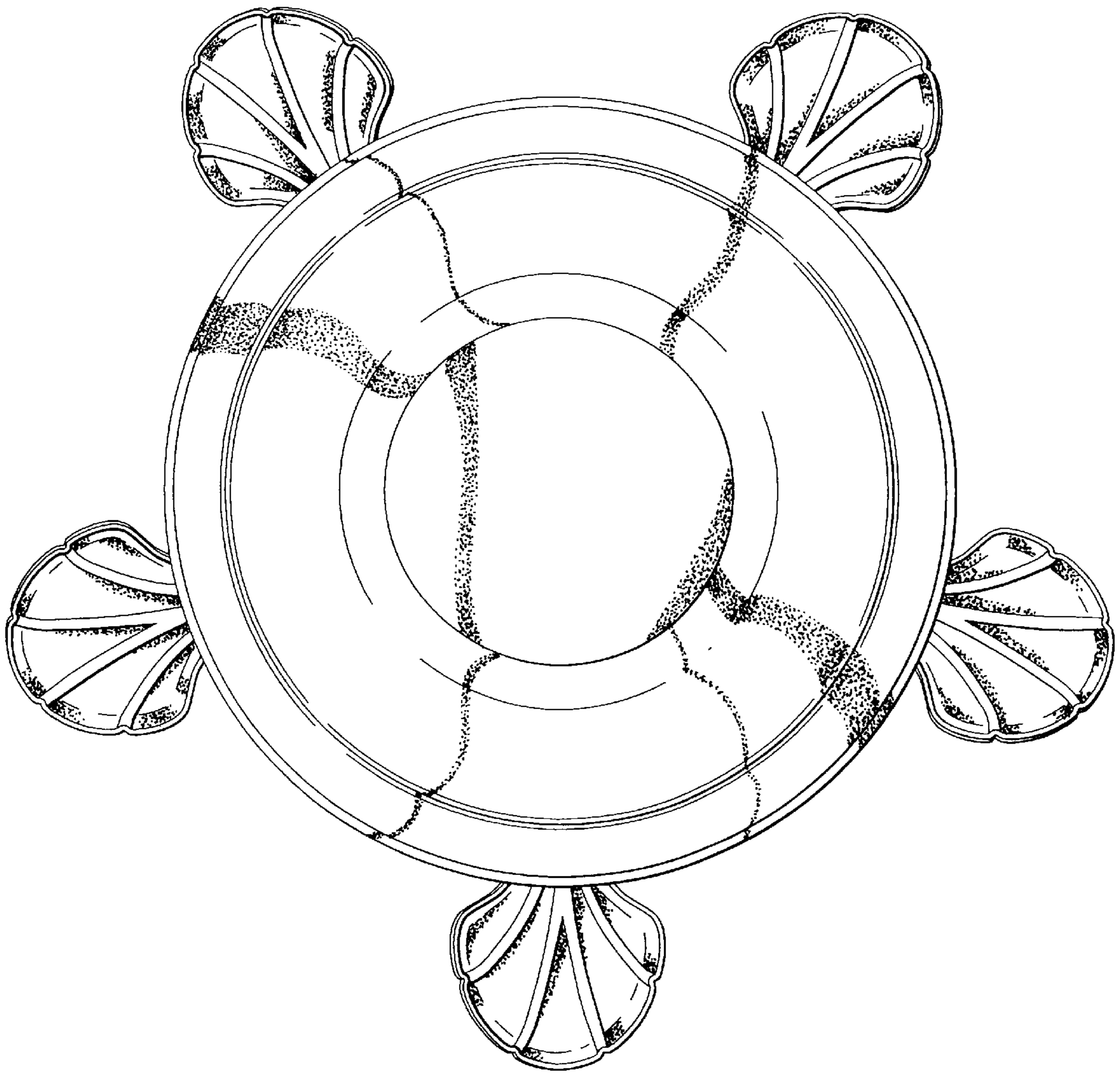


FIG 6

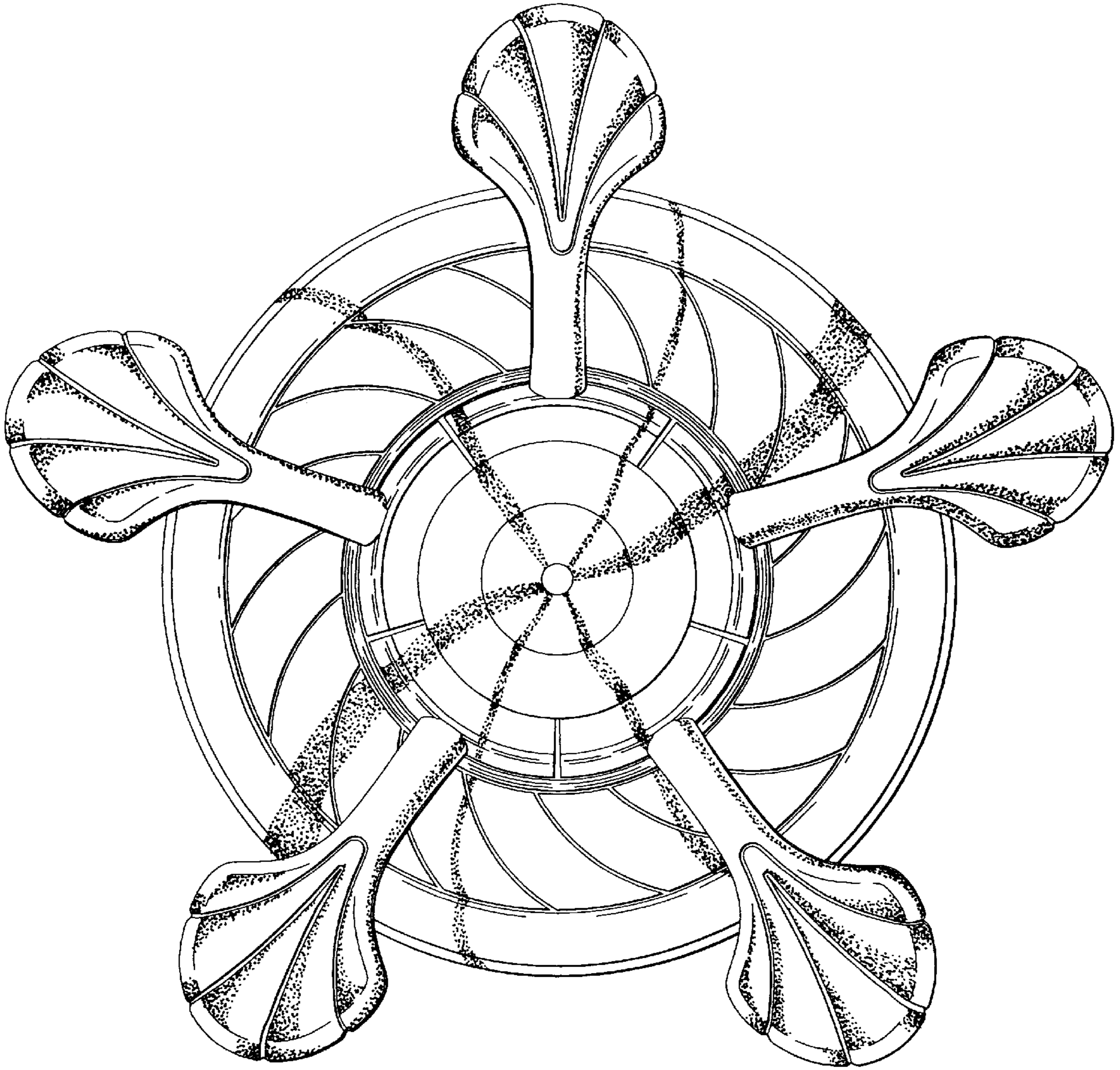


FIG 7