



US00D402749S

# United States Patent [19]

Jané et al.

[11] Patent Number: **Des. 402,749**

[45] Date of Patent: **\*\*Dec. 15, 1998**

## [54] SHELL FOR A PORTABLE ELECTRIC HEATER

[75] Inventors: **Rodney B. Jané**, Westboro, Mass.;  
**Jui-Shang Wang**, Taipei, Taiwan;  
**Robert L. Marvin, Jr.**, Farmington, Conn.

[73] Assignee: **Duracraft Corp.**, Southborough, Mass.

[\*\*] Term: **14 Years**

[21] Appl. No.: **46,035**

[22] Filed: **Nov. 6, 1995**

### Related U.S. Application Data

[62] Division of Ser. No. 452,934, May 30, 1995.

[51] **LOC (6) Cl.** ..... **23-03**

[52] **U.S. Cl.** ..... **D23/335; D23/332; D23/337**

[58] **Field of Search** ..... D23/332, 330,  
D23/335, 337, 314, 389; 392/360, 365-369,  
373, 374, 382

### References Cited

#### U.S. PATENT DOCUMENTS

D. 320,648 10/1991 Velazquez ..... D23/335

### FOREIGN PATENT DOCUMENTS

235213 12/1959 Australia ..... 392/374  
1289971 2/1969 Germany ..... 392/376  
599956 3/1948 United Kingdom ..... 392/371

### OTHER PUBLICATIONS

Laco Adv. Flyer, Heater.

*Primary Examiner*—Lisa Lichtenstein  
*Attorney, Agent, or Firm*—John E. Toupal

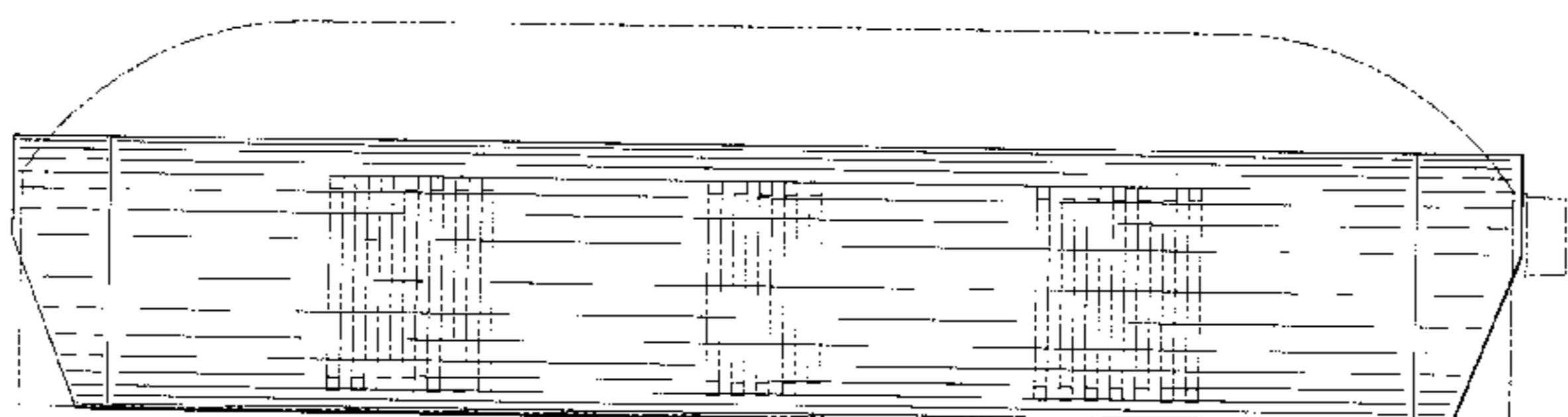
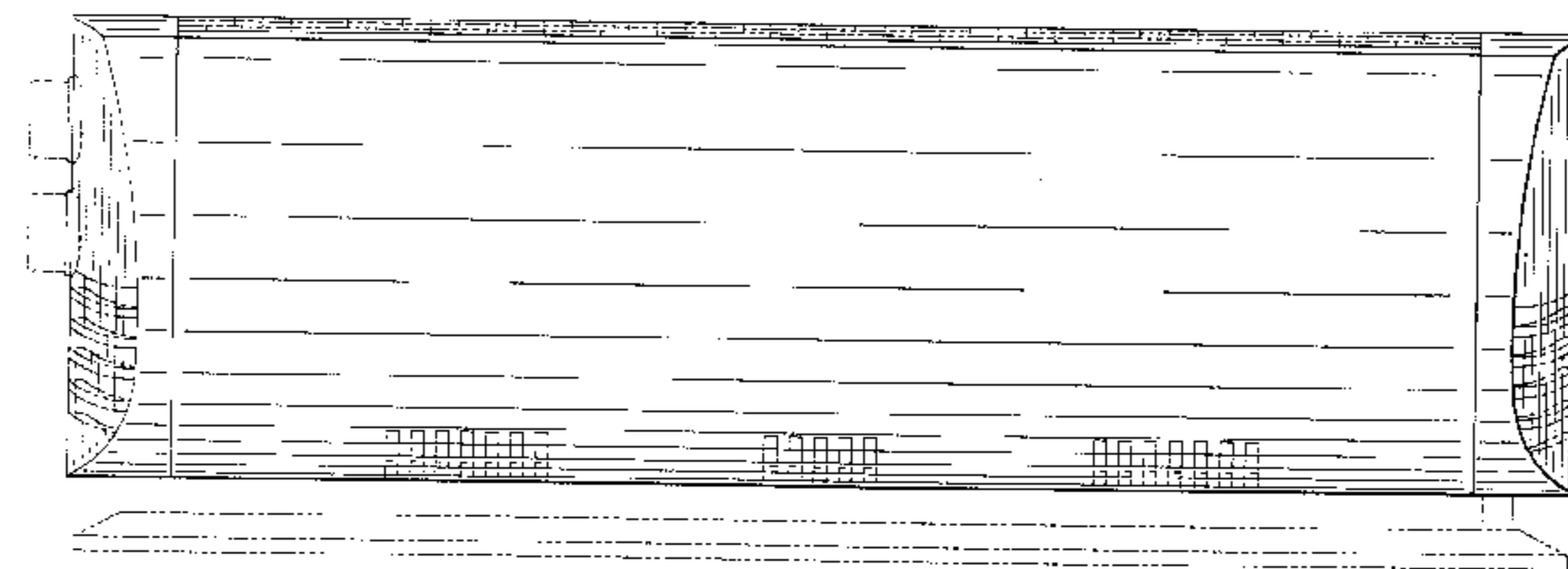
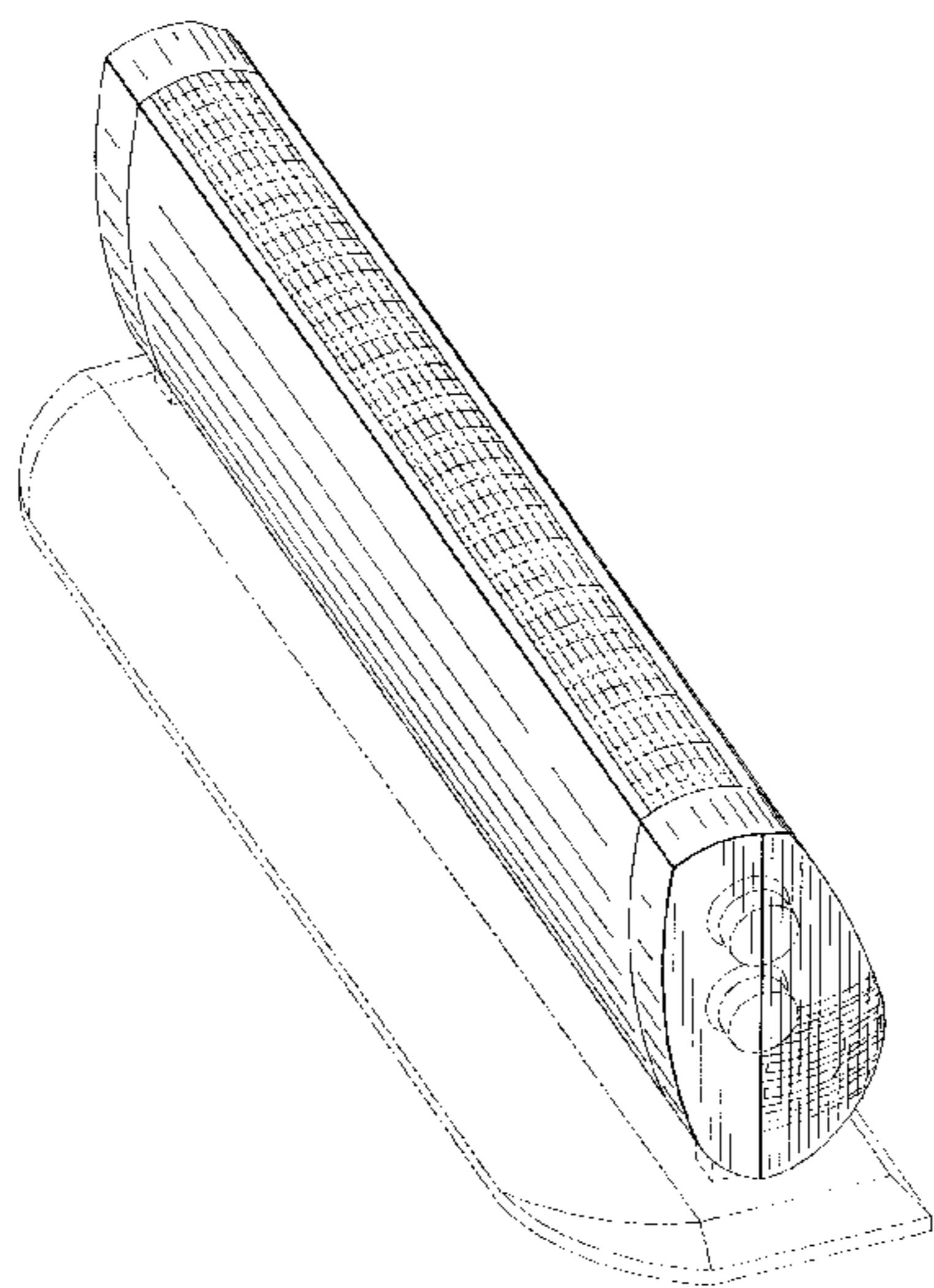
### [57] CLAIM

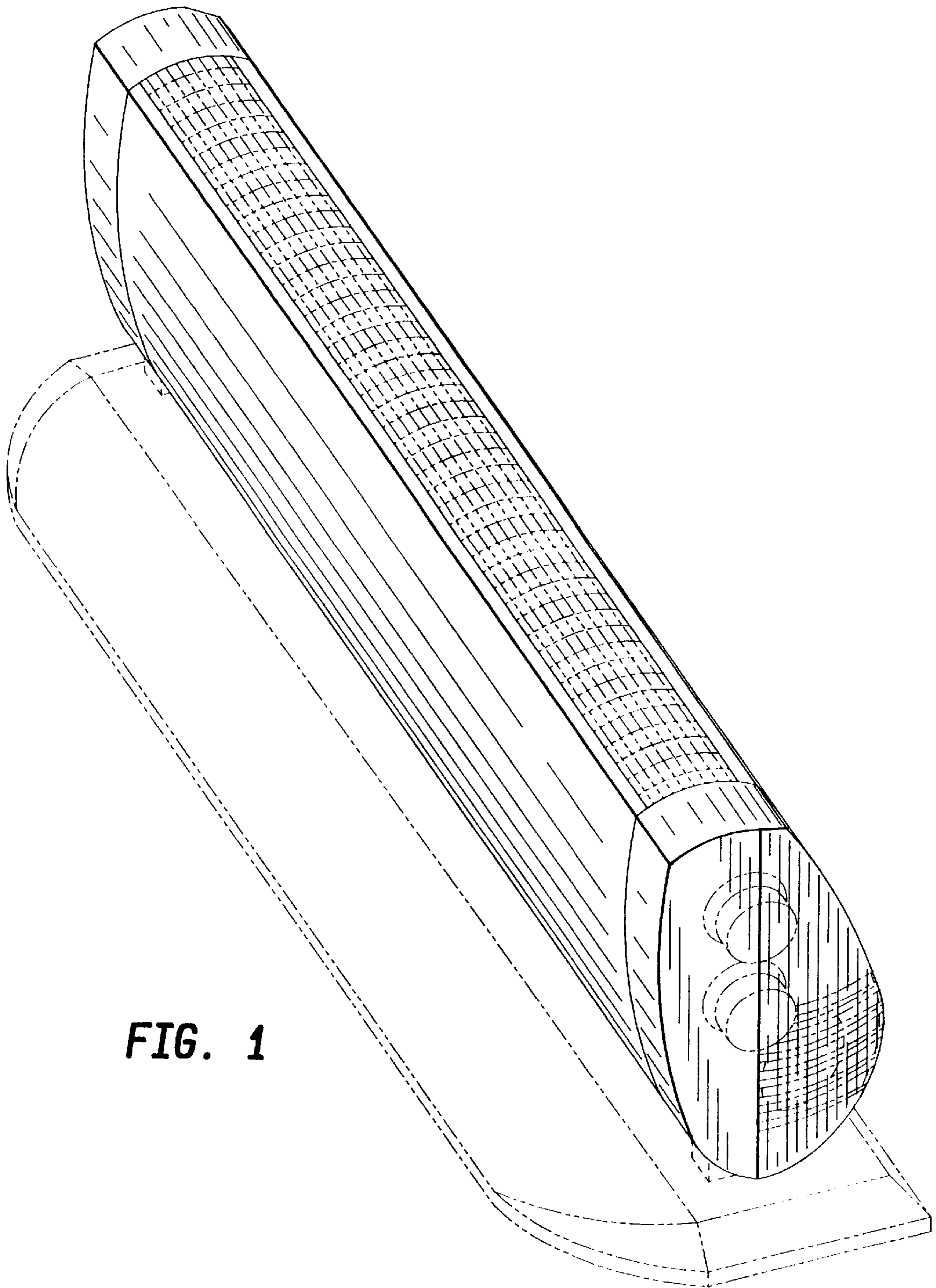
The ornamental design for a shell for a portable electric heater, as shown and described.

### DESCRIPTION

FIG. 1 is a front right perspective view of a shell for a portable electric heater;  
FIG. 2 is a front elevational view thereof;  
FIG. 3 is a rear elevational view thereof;  
FIG. 4 is a right side elevational view thereof;  
FIG. 5 is a left side elevational view thereof;  
FIG. 6 is a top plan view thereof; and,  
FIG. 7 is a bottom plan view thereof.  
The broken line showing of environmental structure in FIGS. 1-7 is for illustrative purposes only and forms no part of the claimed design.

**1 Claim, 5 Drawing Sheets**





**FIG. 1**

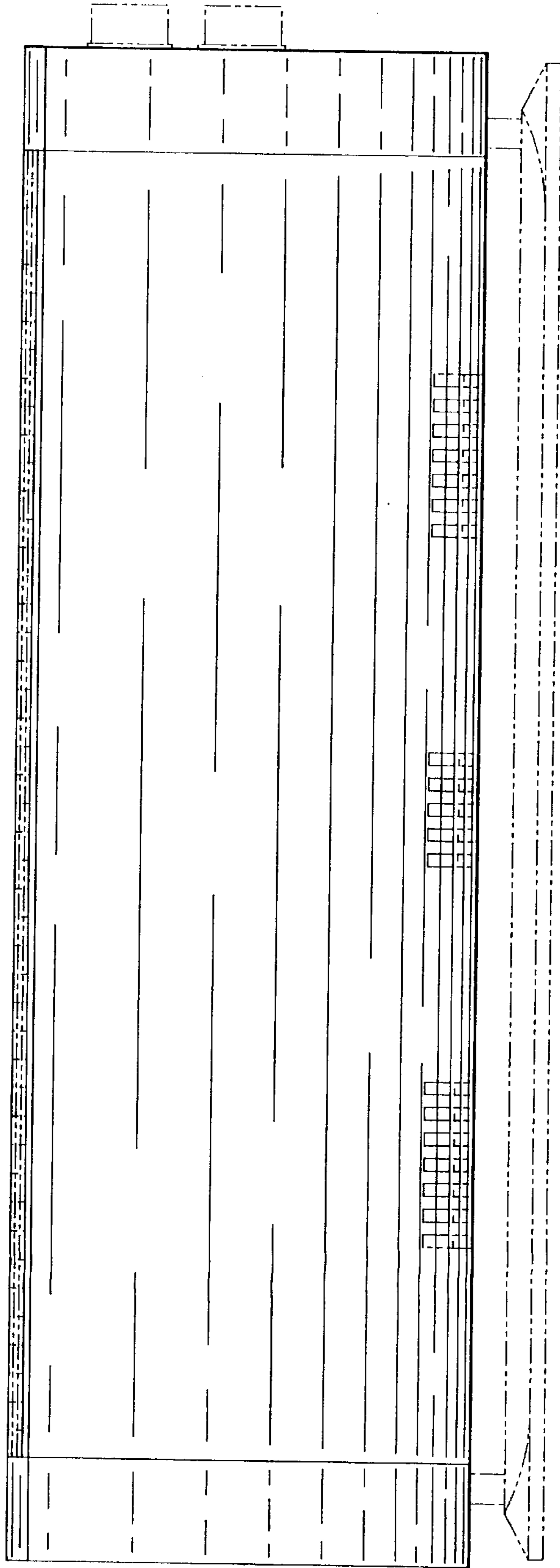


FIG. 2

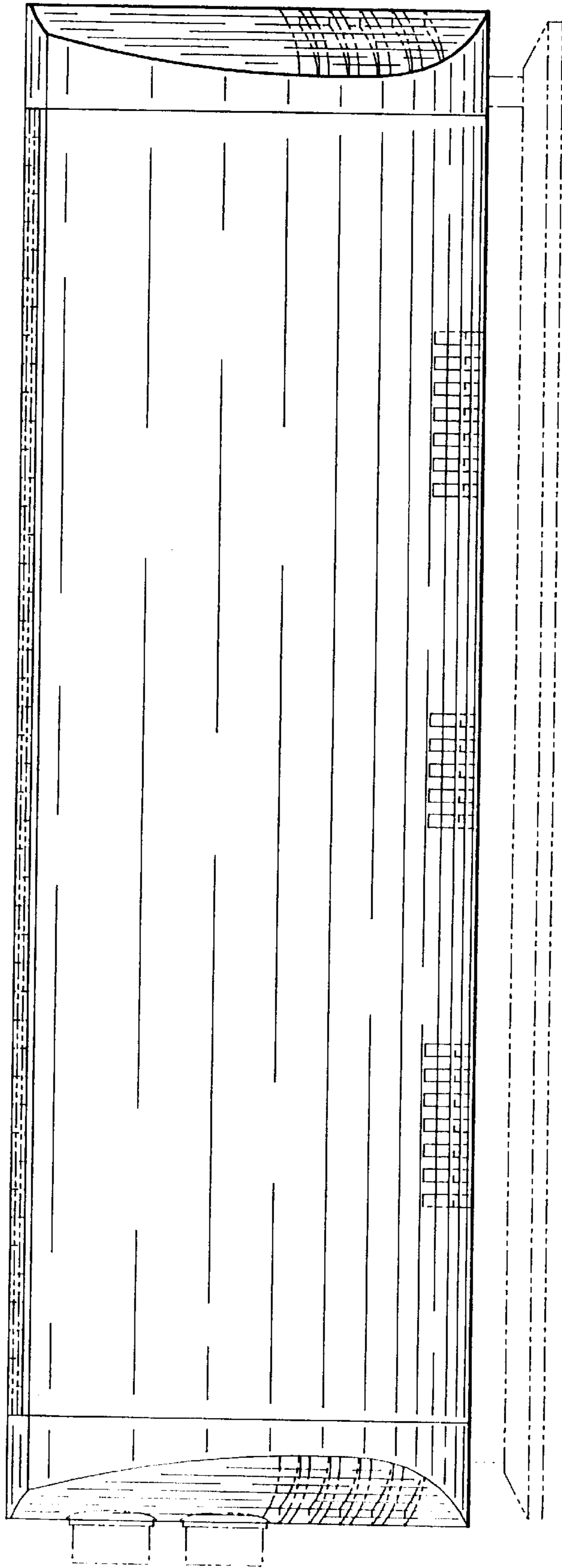


FIG. 3

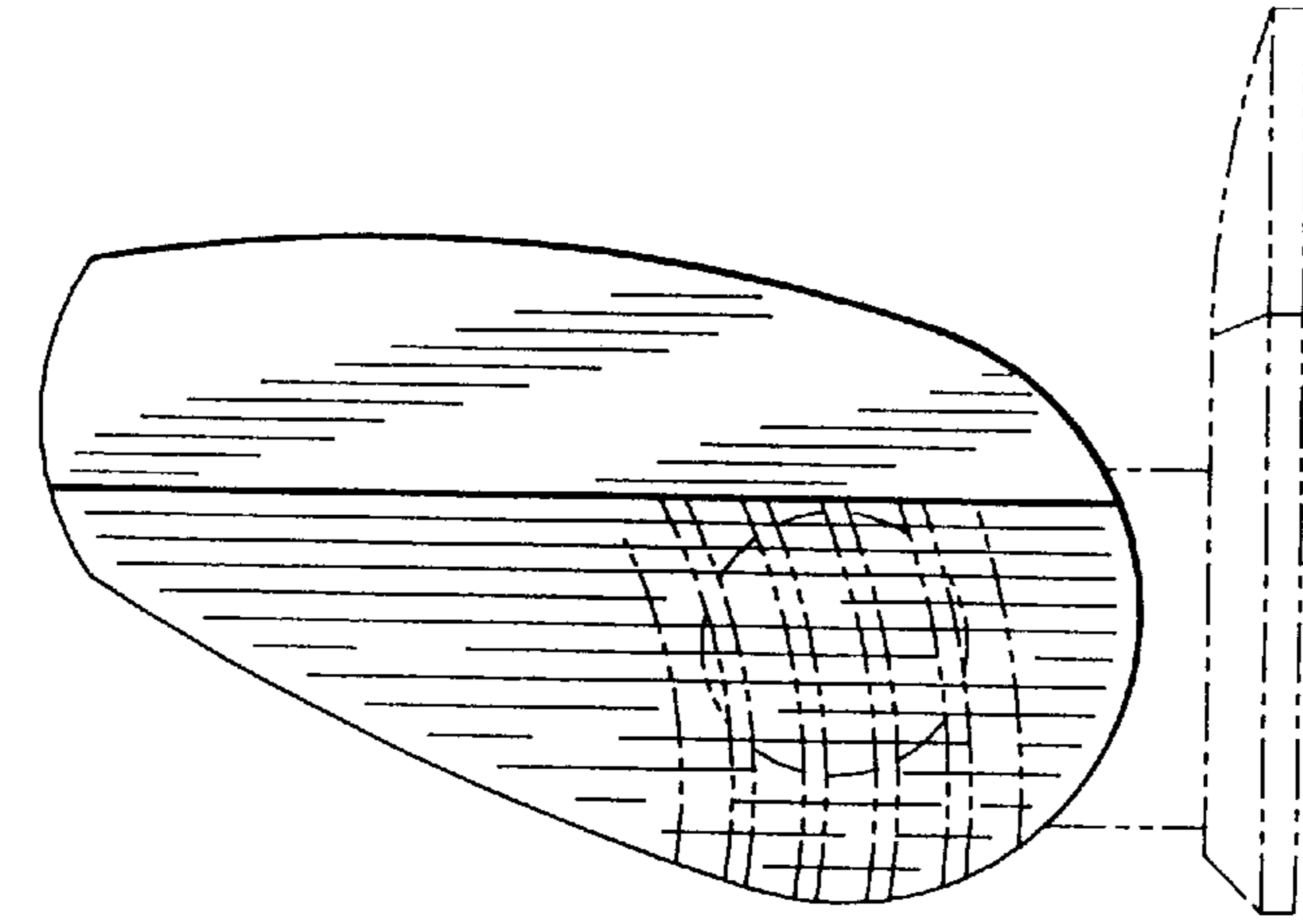


FIG. 4

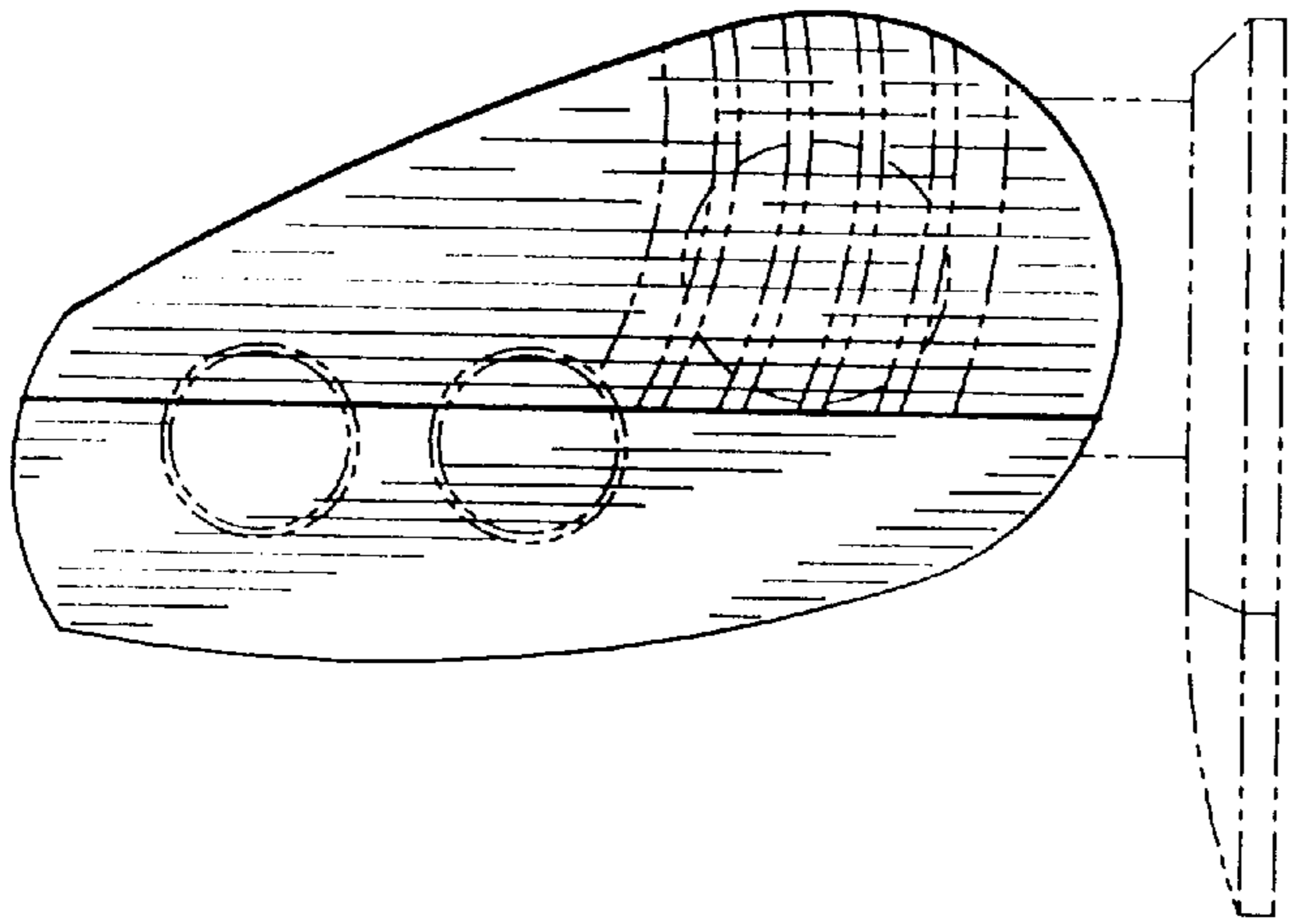


FIG. 5



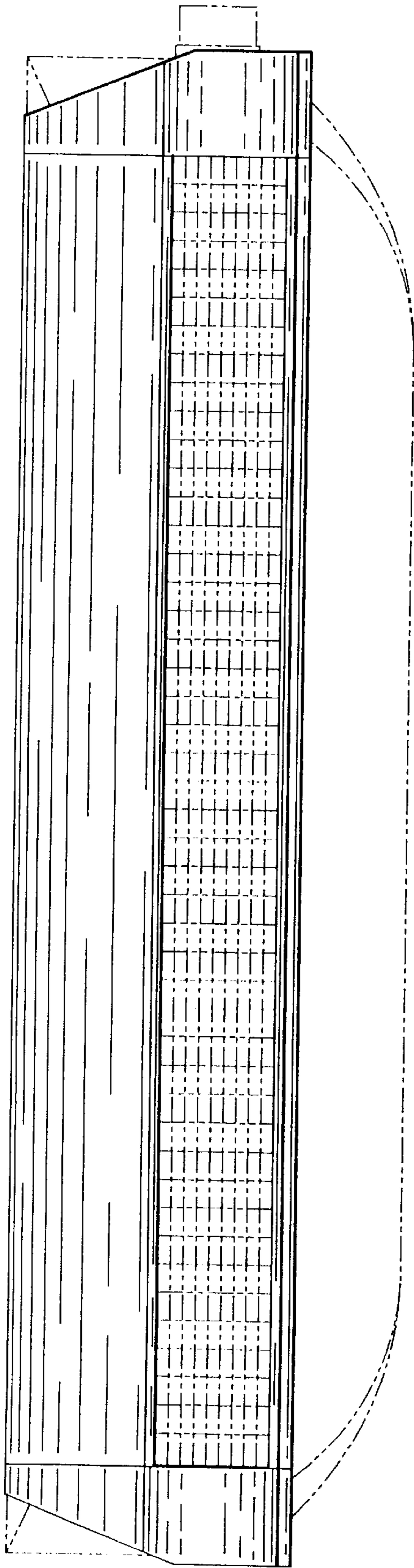


FIG. 6

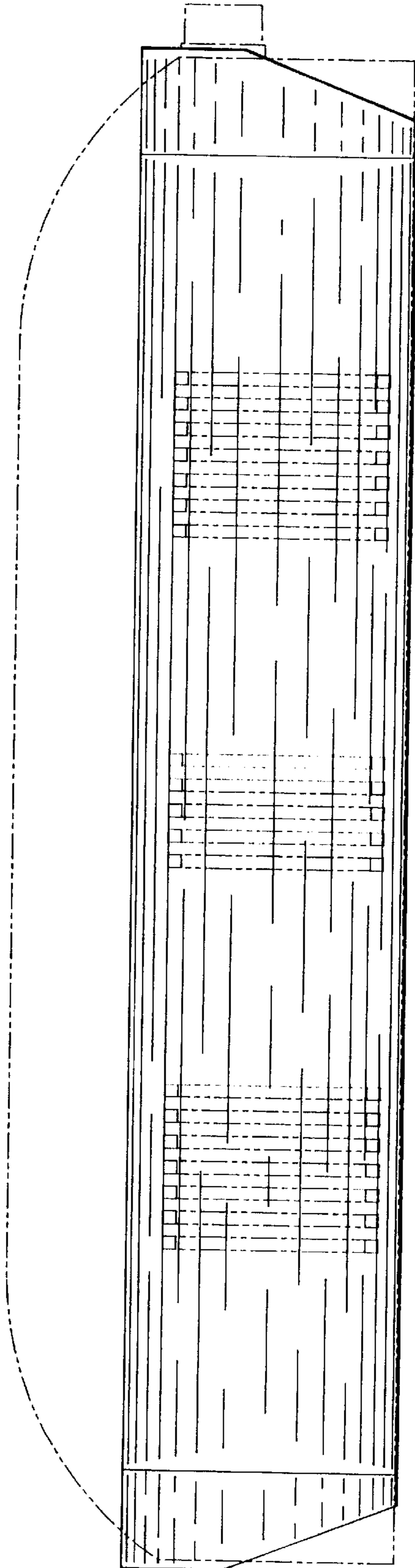


FIG. 7