



US00D402747S

United States Patent [19]

Yeatts, Jr. et al.

[11] Patent Number: **Des. 402,747**

[45] Date of Patent: ****Dec. 15, 1998**

[54] **COMBINED TOILET SEAT AIR VENT AND EXHAUST SYSTEM**

4,612,909	9/1986	Lee	D23/371
5,179,738	1/1993	Sowards	4/216
5,355,536	10/1994	Prisco	4/217

[76] Inventors: **Robert Yeatts, Jr.; Robert Yeatts, Sr.**, both of P.O. Box 277, Shaver Lake, Calif. 93664

FOREIGN PATENT DOCUMENTS

2059744	8/1992	Canada	4/217
---------	--------	--------	-------	-------

[**] Term: **14 Years**

Primary Examiner—Lisa Lichtenstein
Attorney, Agent, or Firm—Harold H. Dutton, Jr.

[21] Appl. No.: **49,797**

[57] CLAIM

[22] Filed: **Jan. 31, 1996**

The ornamental design for a combined toilet seat air vent and exhaust system, as shown.

[51] **LOC (6) Cl.** **23-04**

[52] **U.S. Cl.** **D23/371; D23/311; D23/366; D23/393**

DESCRIPTION

[58] **Field of Search** D23/371, 393, D23/386, 387, 366-369, 303, 309-311; 4/216, 217

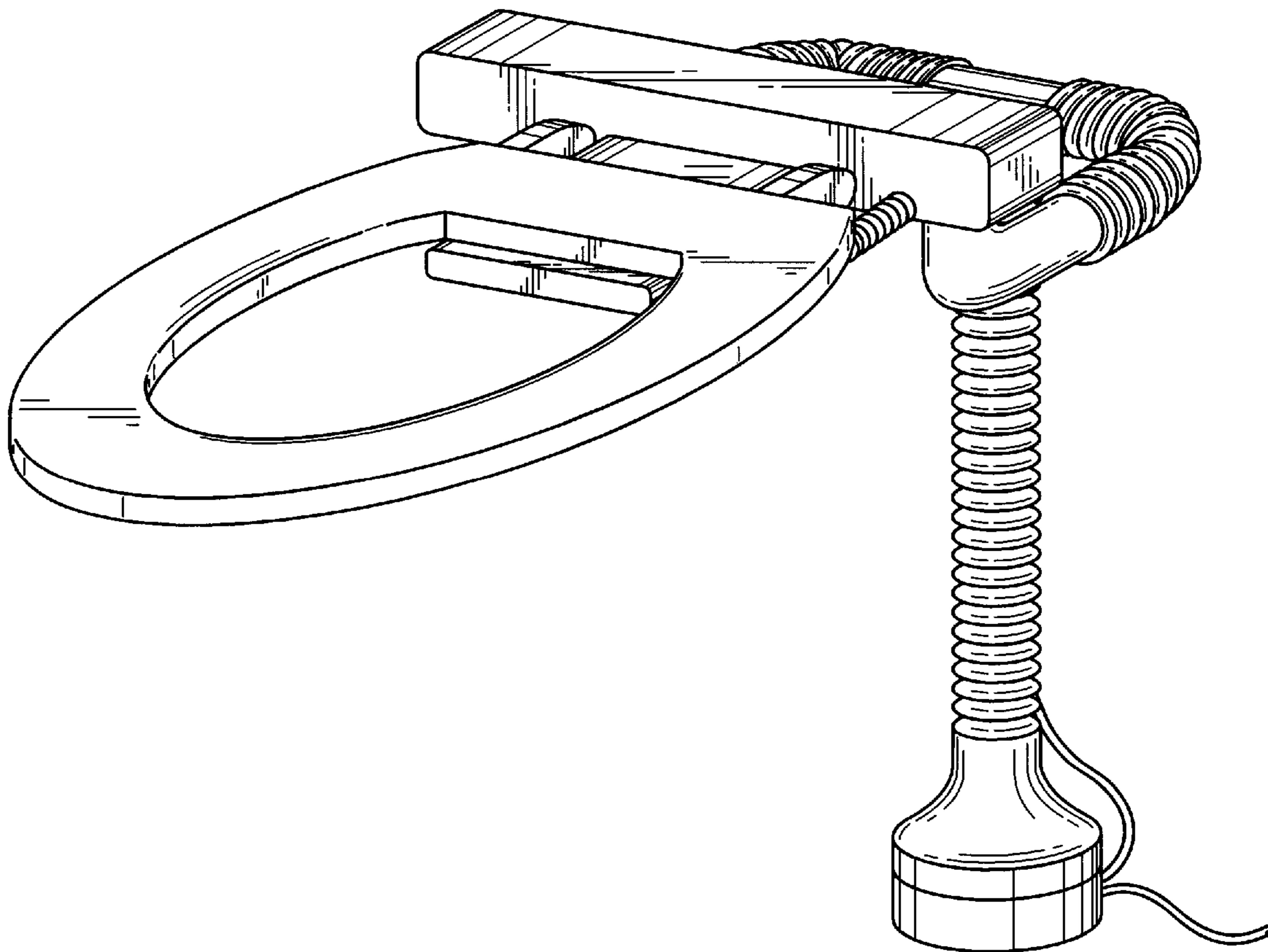
FIG. 1 is a perspective view of a combined toilet seat air vent and exhaust system showing our new design; FIG. 2 is a right side view thereof; FIG. 3 is a left side view thereof; FIG. 4 is a front view thereof; FIG. 5 is a rear view thereof; FIG. 6 is a top view thereof; and, FIG. 7 is a bottom view thereof.

[56] References Cited

U.S. PATENT DOCUMENTS

D. 327,539	6/1992	Williams	D23/366
D. 328,340	7/1992	Bolduc	D23/366
D. 338,712	8/1993	Schaldenbrand	D23/311

1 Claim, 4 Drawing Sheets



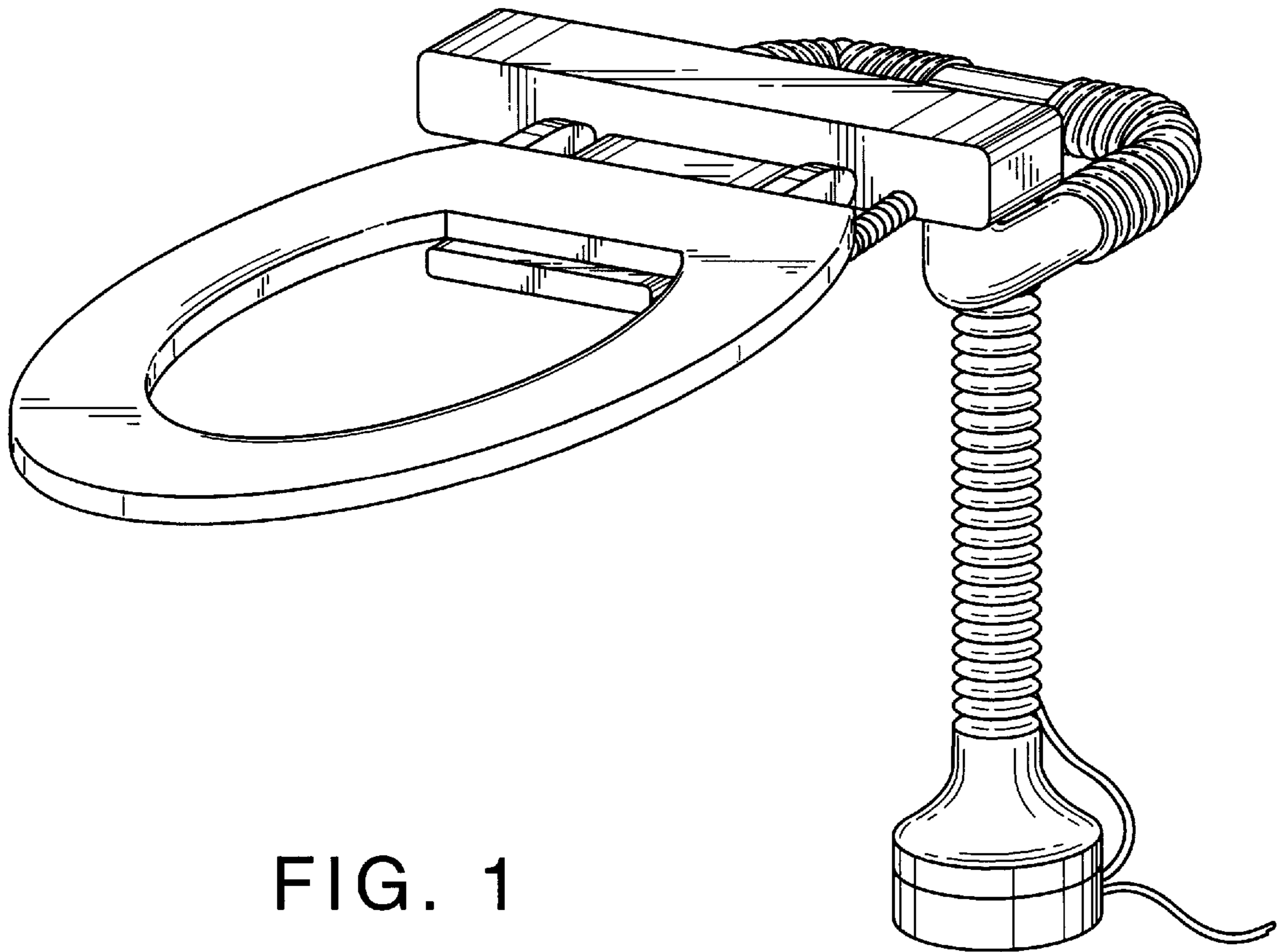


FIG. 1

FIG. 2

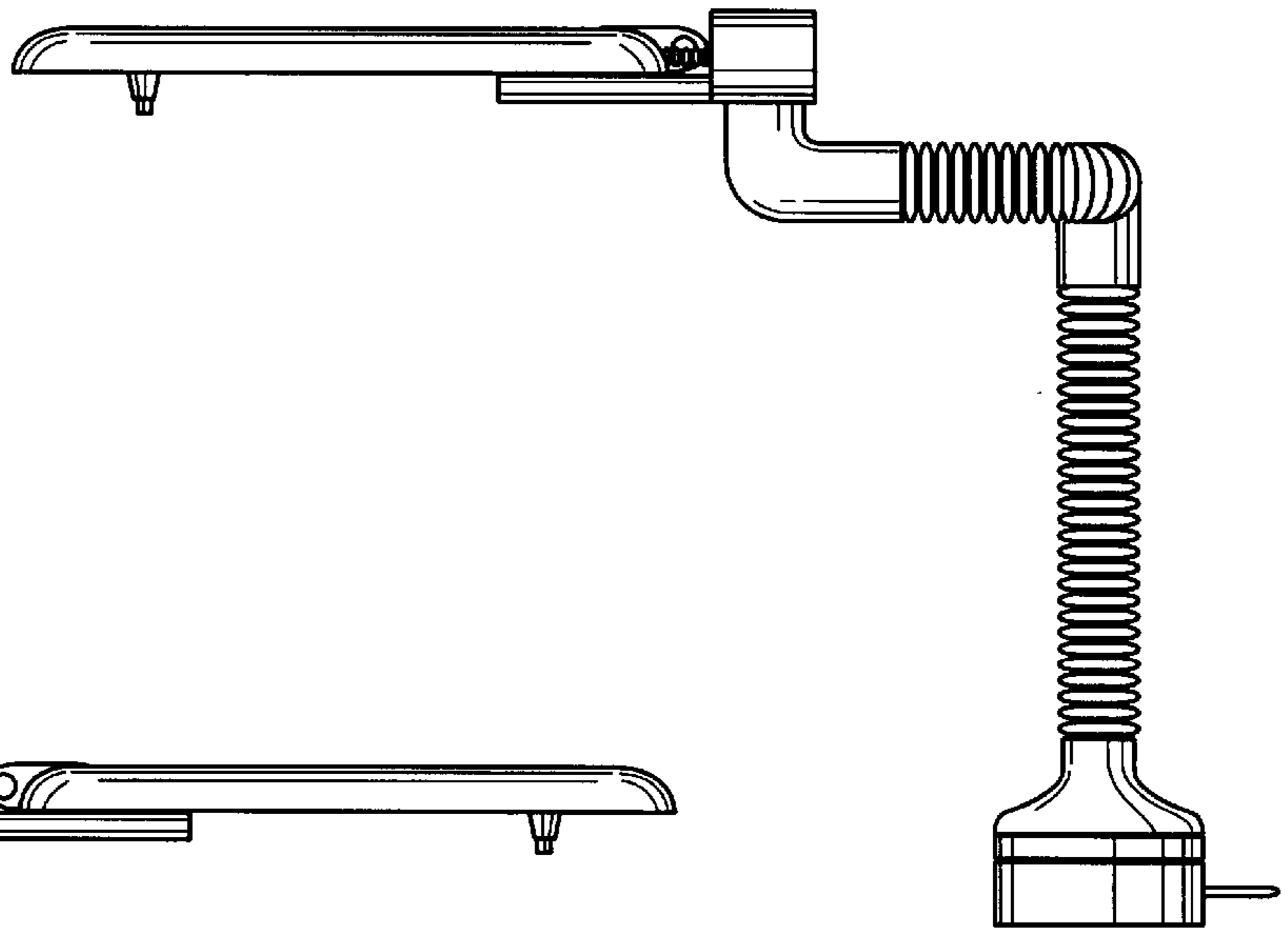
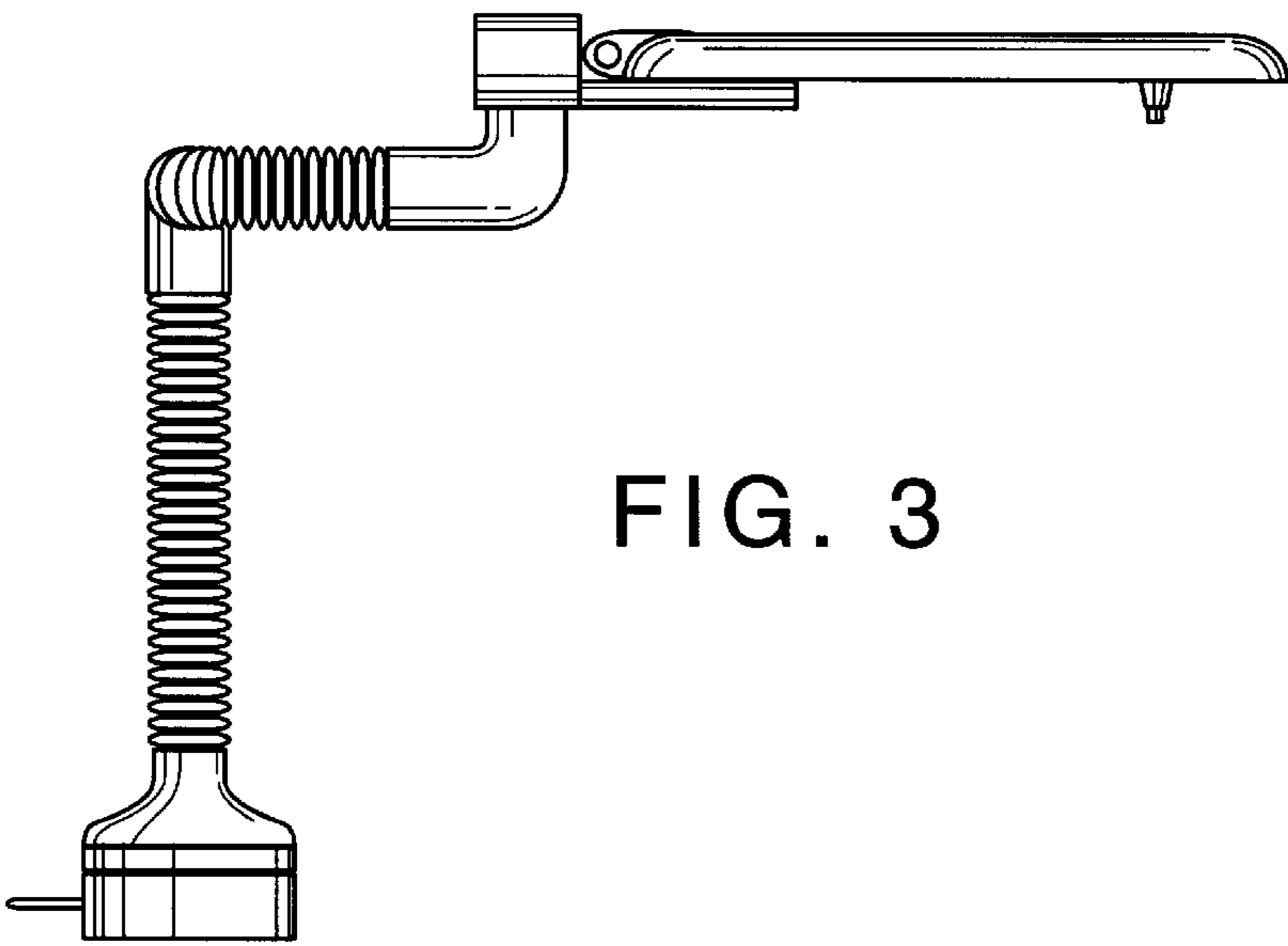


FIG. 3



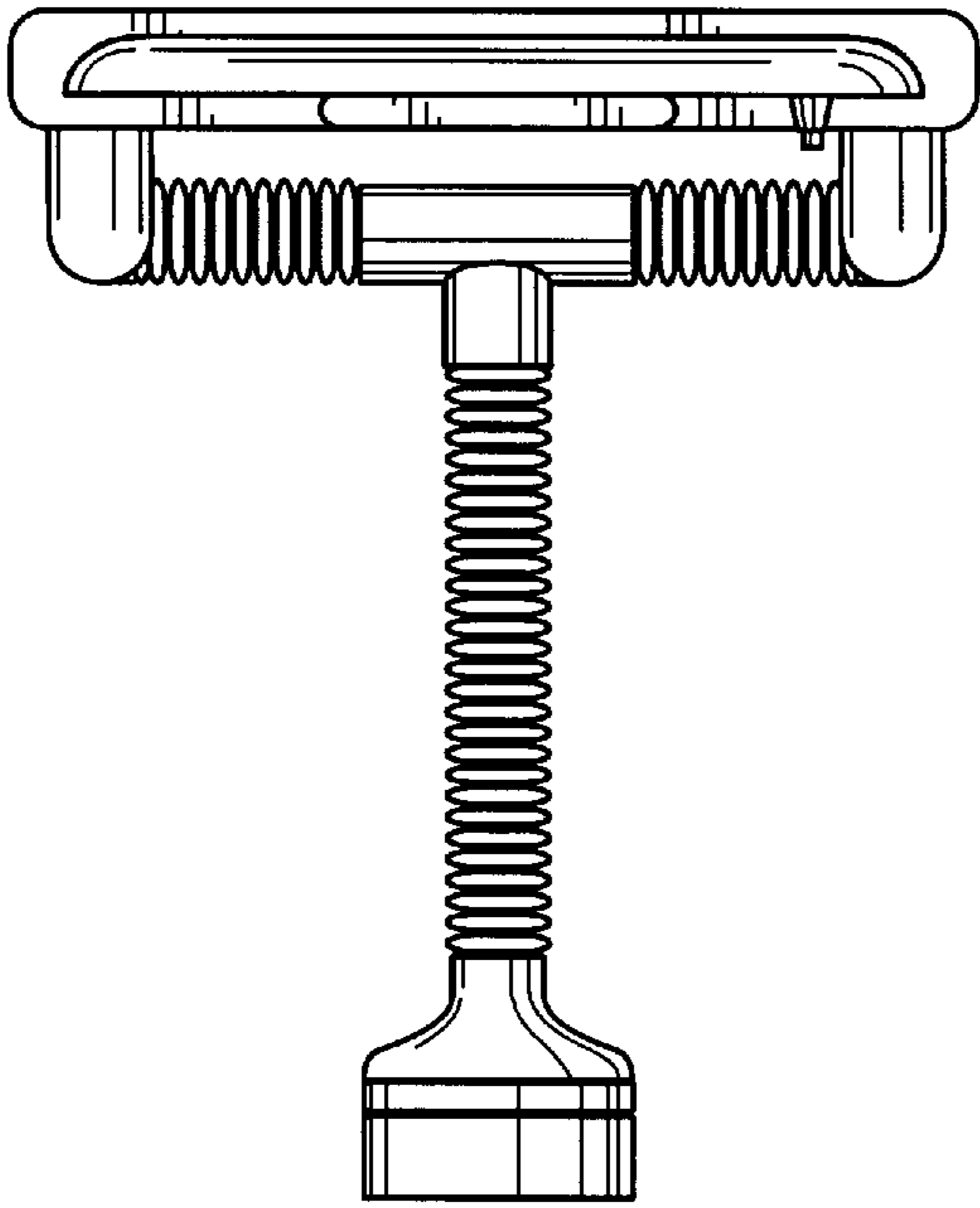


FIG. 4

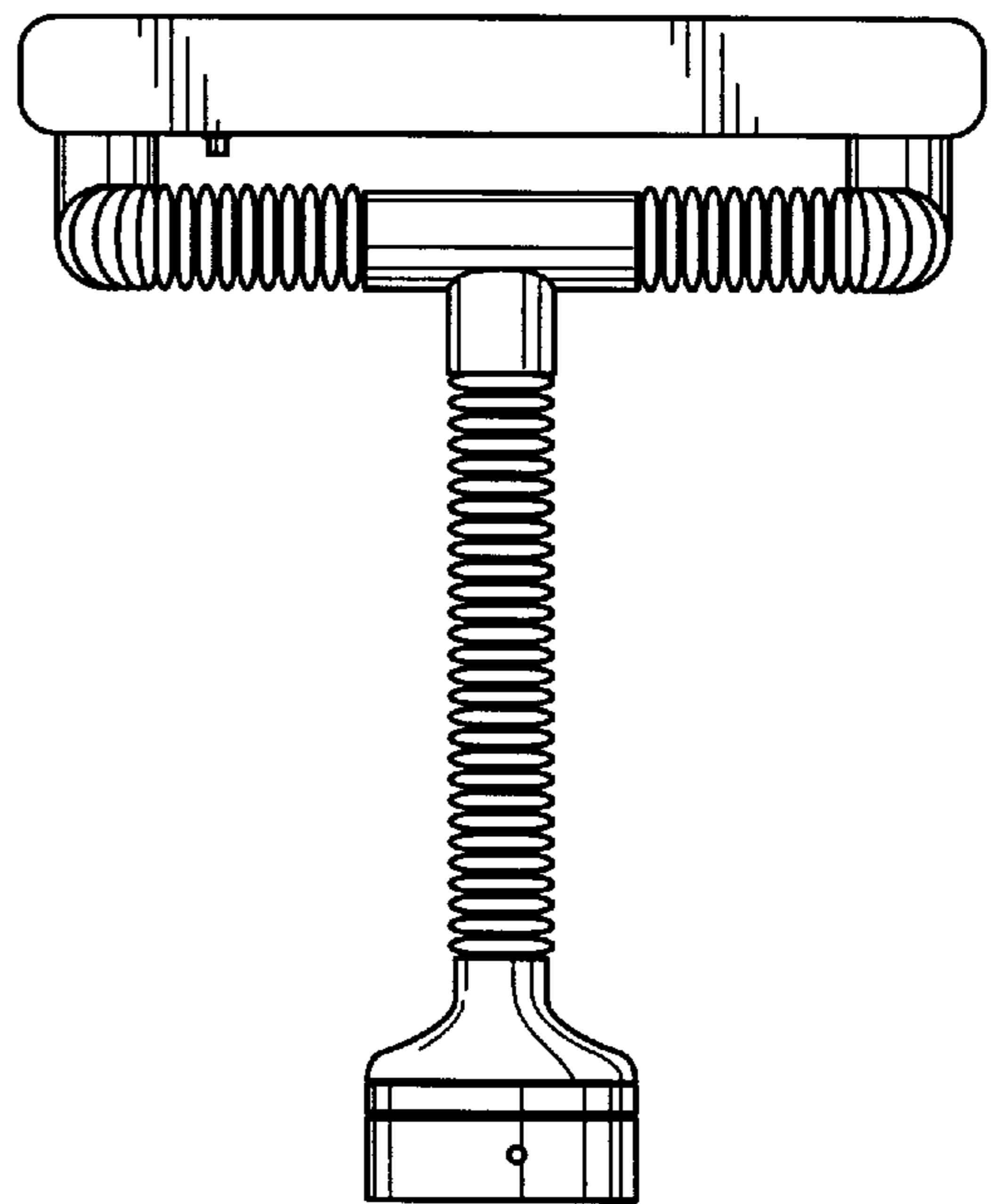


FIG. 5

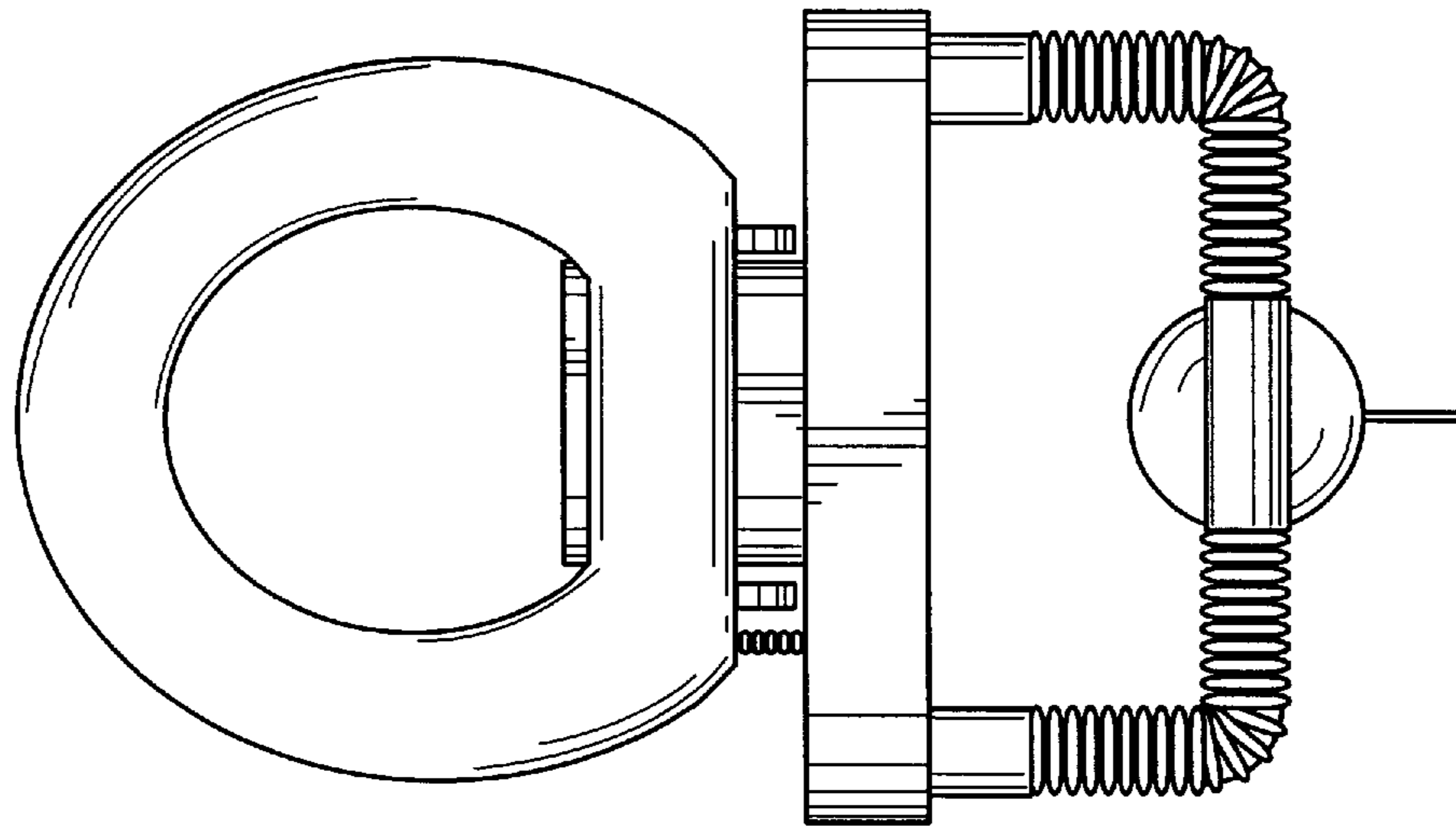


FIG. 6

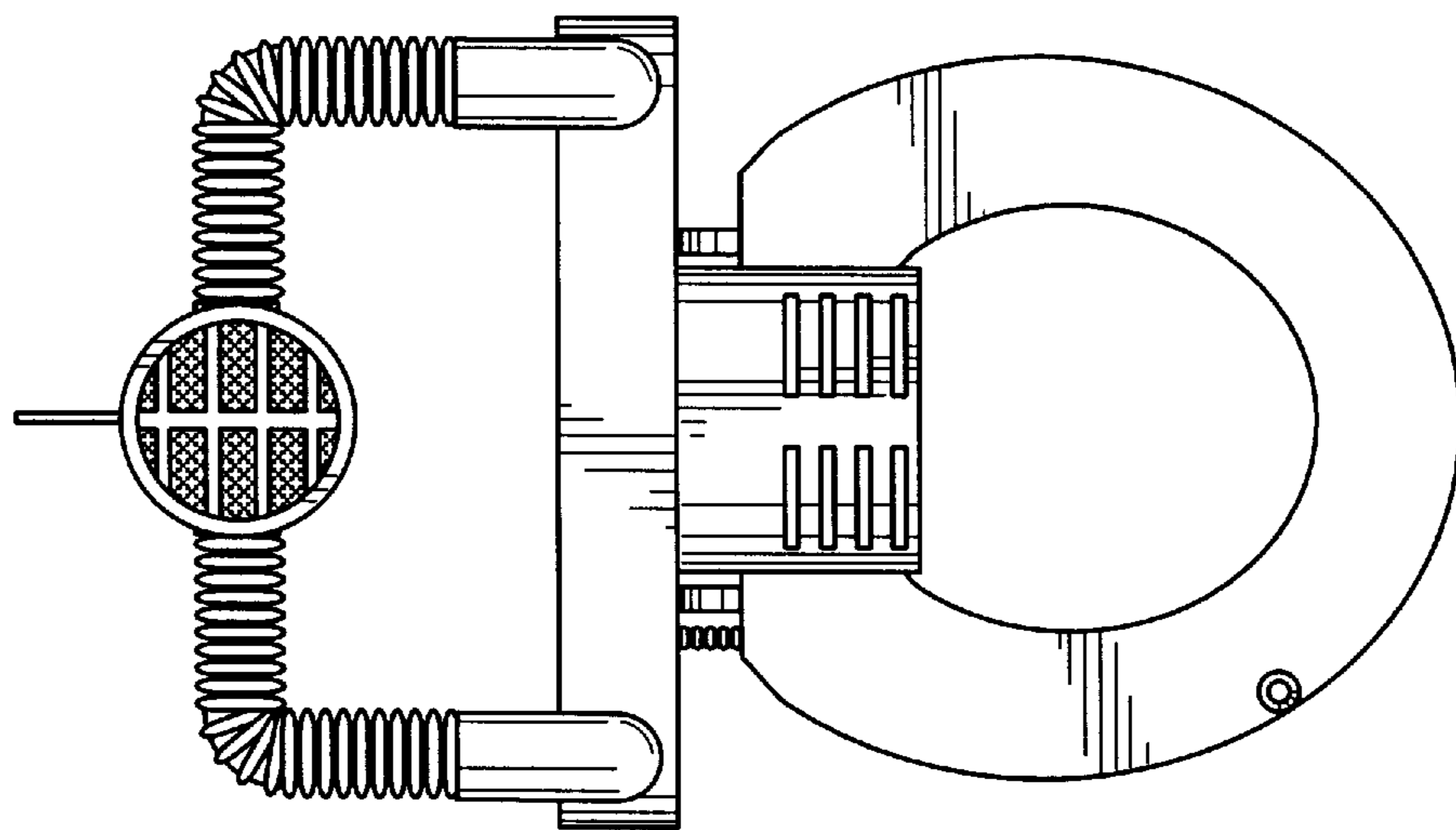


FIG. 7