



US00D402744S

United States Patent [19] Zuege

[11] Patent Number: Des. 402,744

[45] Date of Patent: **Dec. 15, 1998

[54] HUMIDIFIER

[75] Inventor: Bradford C. Zuege, Cordova, Tenn.

[73] Assignee: Hunter Fan Company, Memphis, Tenn.

[**] Term: 14 Years

[21] Appl. No.: 78,886

[22] Filed: Oct. 31, 1997

[51] LOC (6) Cl. 23-04

[52] U.S. Cl. D23/356; D23/358; D23/360

[58] Field of Search D23/356-363;
392/403, 406, 394; 261/107, 104; 422/120,
123

[56] **References Cited**

U.S. PATENT DOCUMENTS

- D. 358,461 5/1995 Barker et al. D23/356
- D. 380,820 7/1997 Levine et al. D23/356

D. 388,511 12/1997 Jané et al. D23/356
5,547,615 8/1996 Jane et al. .

Primary Examiner—Lisa Lichtenstein
Attorney, Agent, or Firm—Baker, Donelson, Bearman & Caldwell

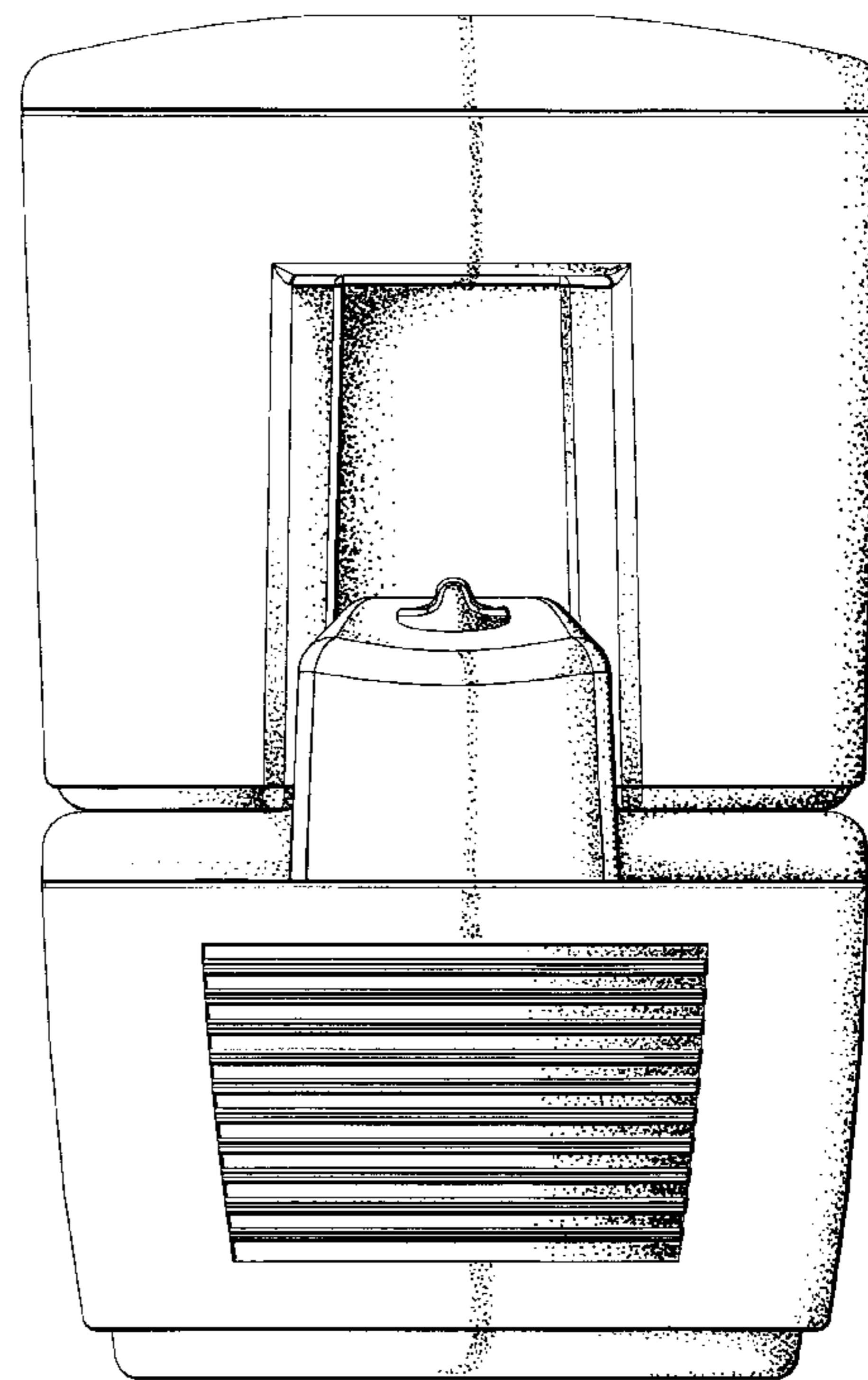
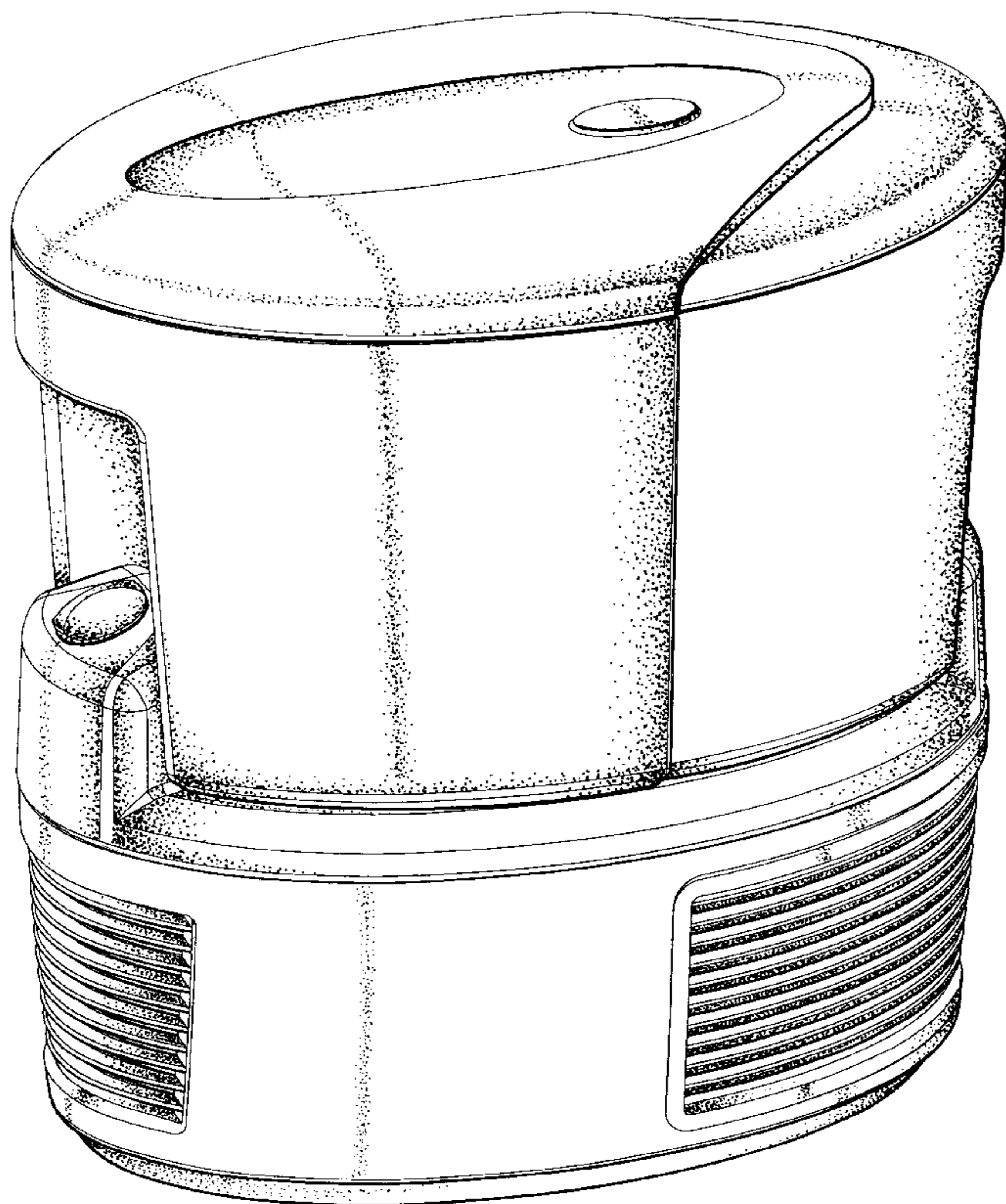
[57] **CLAIM**

The oramental design for a humidifier, as shown and described.

DESCRIPTION

FIG. 1 is a perspective view of a humidifier showing my new design;
FIG. 2 is a right-side view of the humidifier shown in FIG. 1, the left-side view being a mirror image thereof;
FIG. 3 is a front view thereof;
FIG. 4 is a rear view thereof;
FIG. 5 is a top view thereof; and,
FIG. 6 is a bottom view thereof.

1 Claim, 6 Drawing Sheets



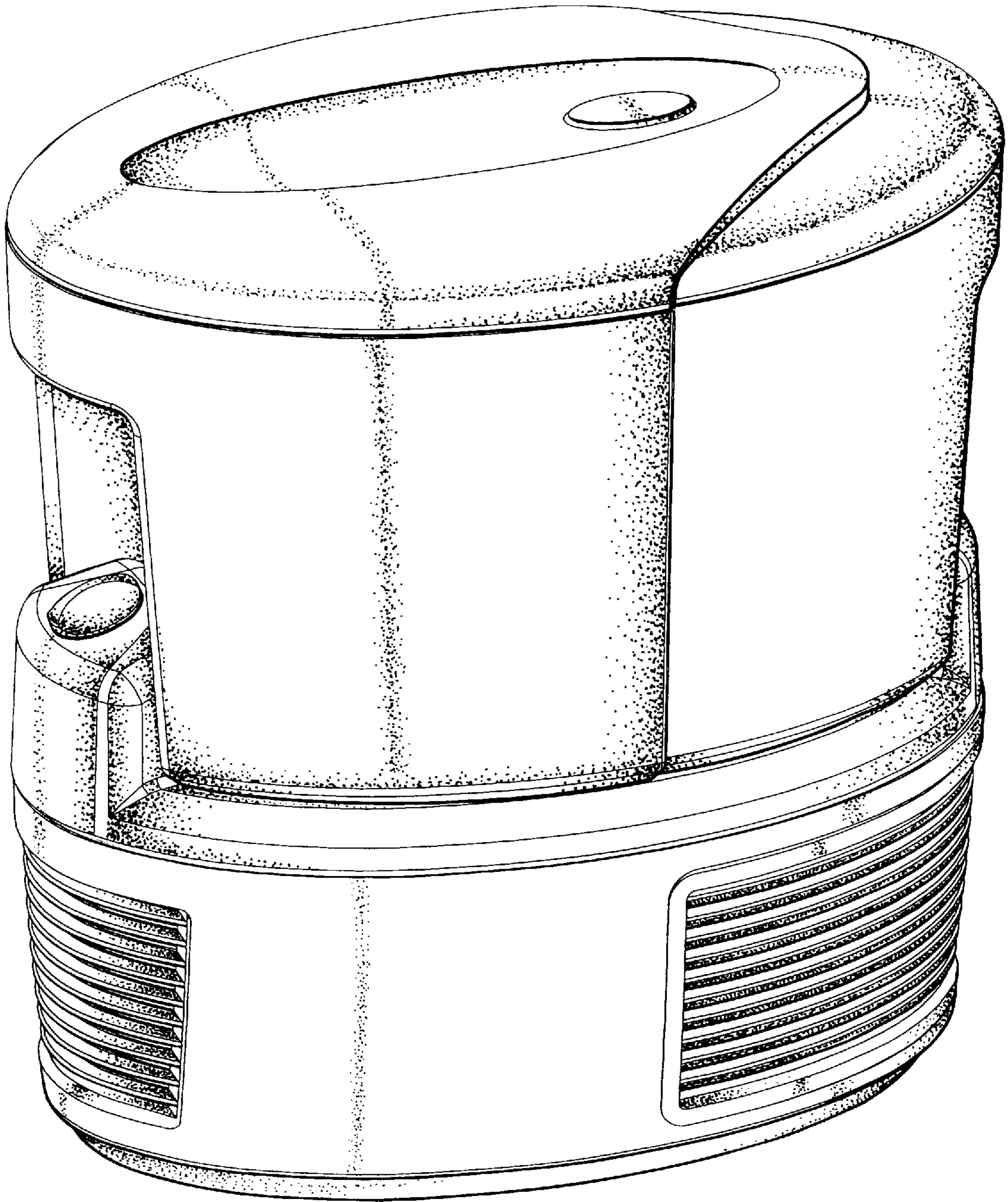


FIG 1

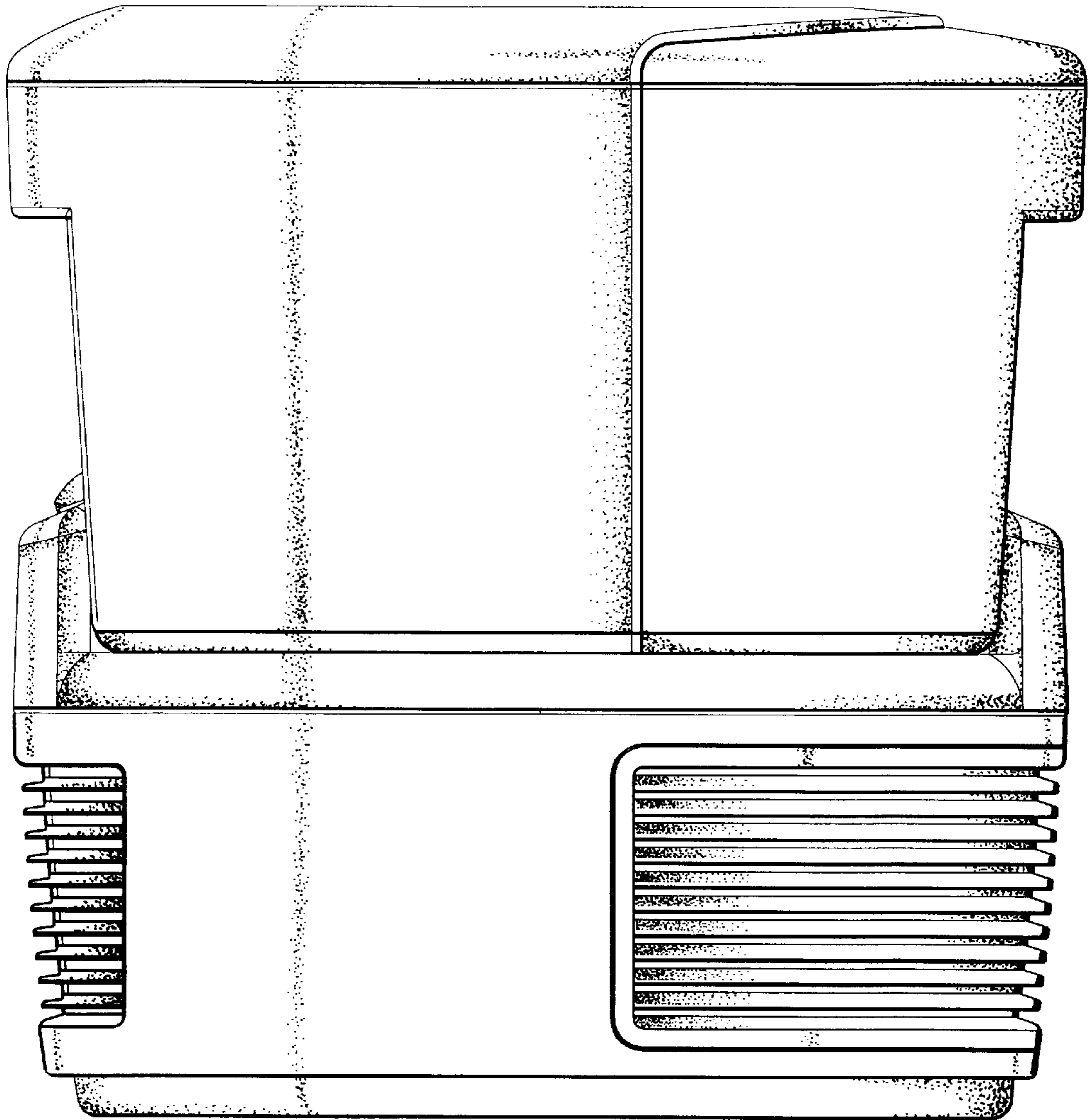


FIG 2

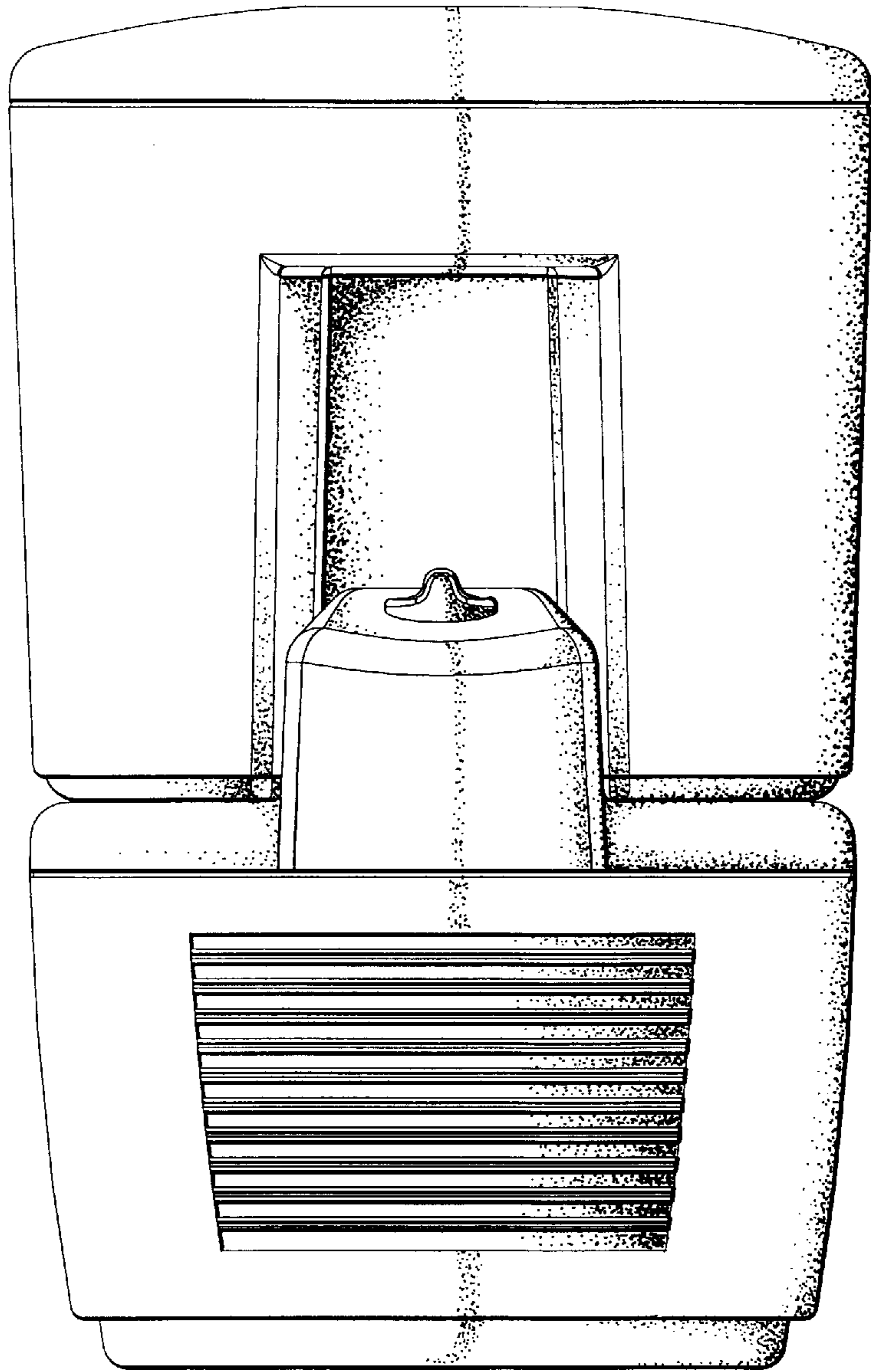


FIG 3

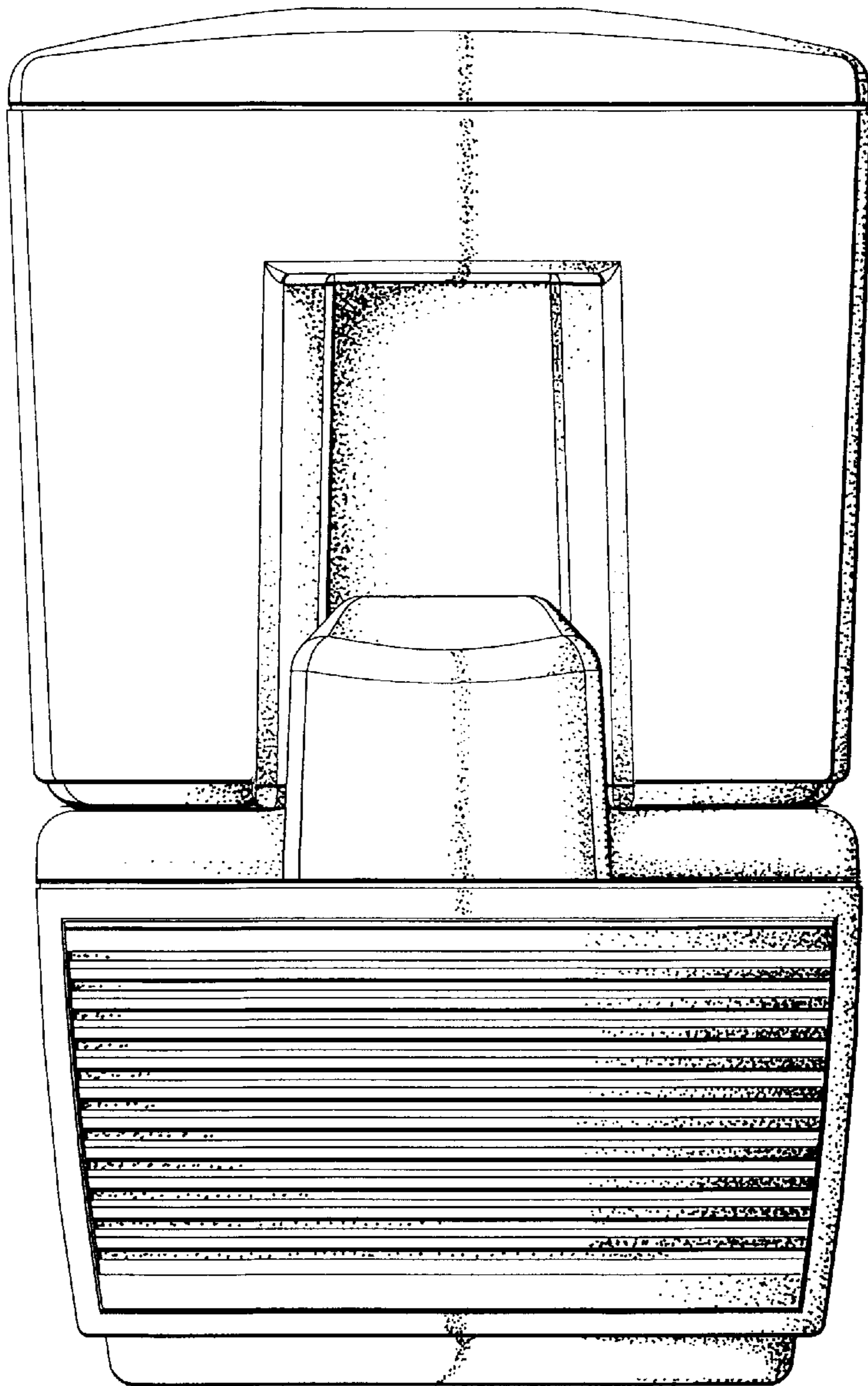


FIG 4

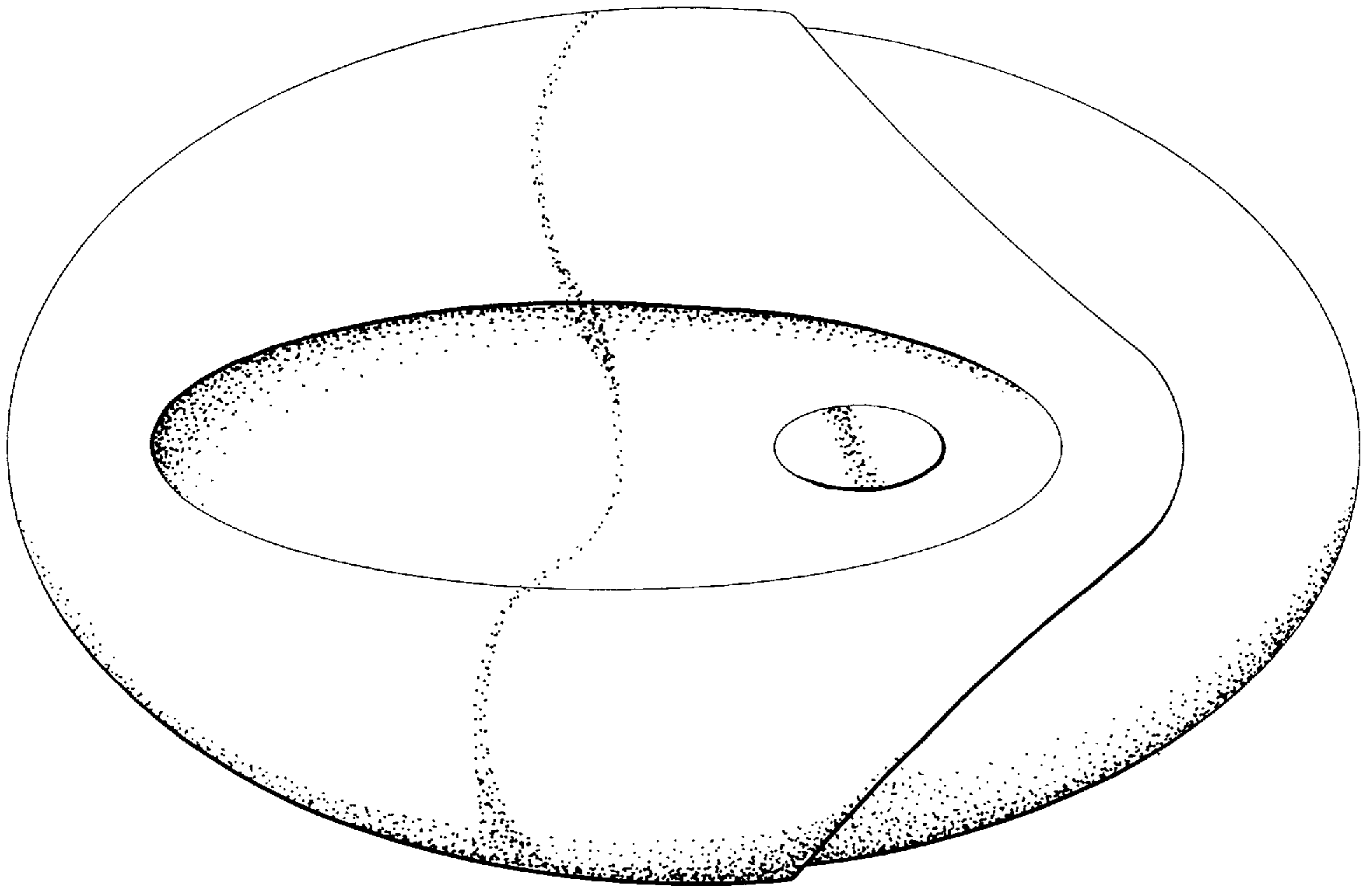


FIG 5

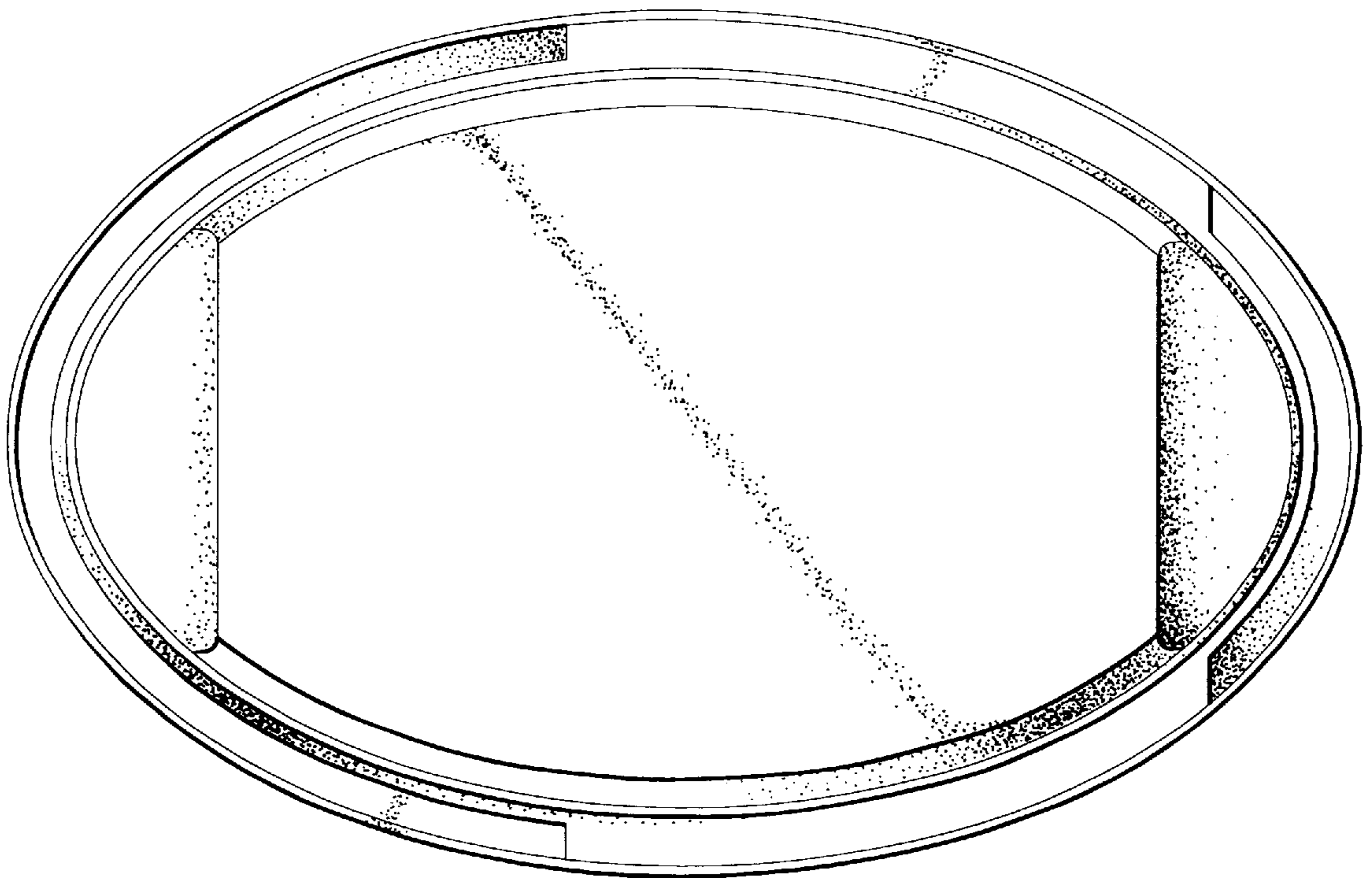


FIG 6