



US00D402738S

United States Patent [19]
Oswaks et al.

[11] **Patent Number: Des. 402,738**

[45] **Date of Patent: **Dec. 15, 1998**

[54] **COLOR CODE RING FOR FAUCET**

[75] Inventors: **Jonathan Oswaks**, Westlake Village;
Jean-Pierre Durand, Los Angeles;
Peter Y. Carris, Pasadena, all of Calif.

[73] Assignee: **Emhart Inc.**, Newark, Del.

[**] Term: **14 Years**

[21] Appl. No.: **58,252**

[22] Filed: **Aug. 9, 1996**

[51] **LOC (6) Cl.** **23-02**

[52] **U.S. Cl.** **D23/303**

[58] **Field of Search** D23/259, 269;
277/167, 207 R, DIG. 23, 227; 285/231,
910

[56] **References Cited**

U.S. PATENT DOCUMENTS

Re. 26,838	3/1970	Pecis .	
D. 50,389	2/1917	Joslin	D23/269
D. 51,579	12/1917	Beynon	D23/269
D. 244,533	5/1977	Eidelberg et al.	D23/269
D. 368,516	4/1996	Matsumura	D23/269
3,137,509	6/1964	Kazienko	277/207 A X
3,313,057	4/1967	Leddy .	
3,885,584	5/1975	Hock .	
4,047,743	9/1977	Weintraub et al.	277/207 A X
4,215,868	8/1980	Skinner et al.	277/207 A X
4,796,329	1/1989	Bory .	
4,966,191	10/1990	Azizi .	

OTHER PUBLICATIONS

Sterling, Faucets Catalog, p. 12, Item 28C20, 1993.
Kohler Design Manual K-500, Item #K-15127, p. 2-67,
1990.

Price Pfister Product Portfolio Catalog, 1994 (pp. 55, 61, 92.

Primary Examiner—Louis S. Zarfes

Assistant Examiner—Eric Watterson

Attorney, Agent, or Firm—J. Bruce Hoofnagle

[57] **CLAIM**

The ornamental design for color code ring for faucet, as shown and described.

DESCRIPTION

FIG. 1 is a top perspective view of a color code ring for a faucet, showing our new design;

FIG. 2 is an enlarged perspective view thereof;

FIG. 3 is a front elevational view, the rear being a mirror image thereof;

FIG. 4 is a right side view thereof;

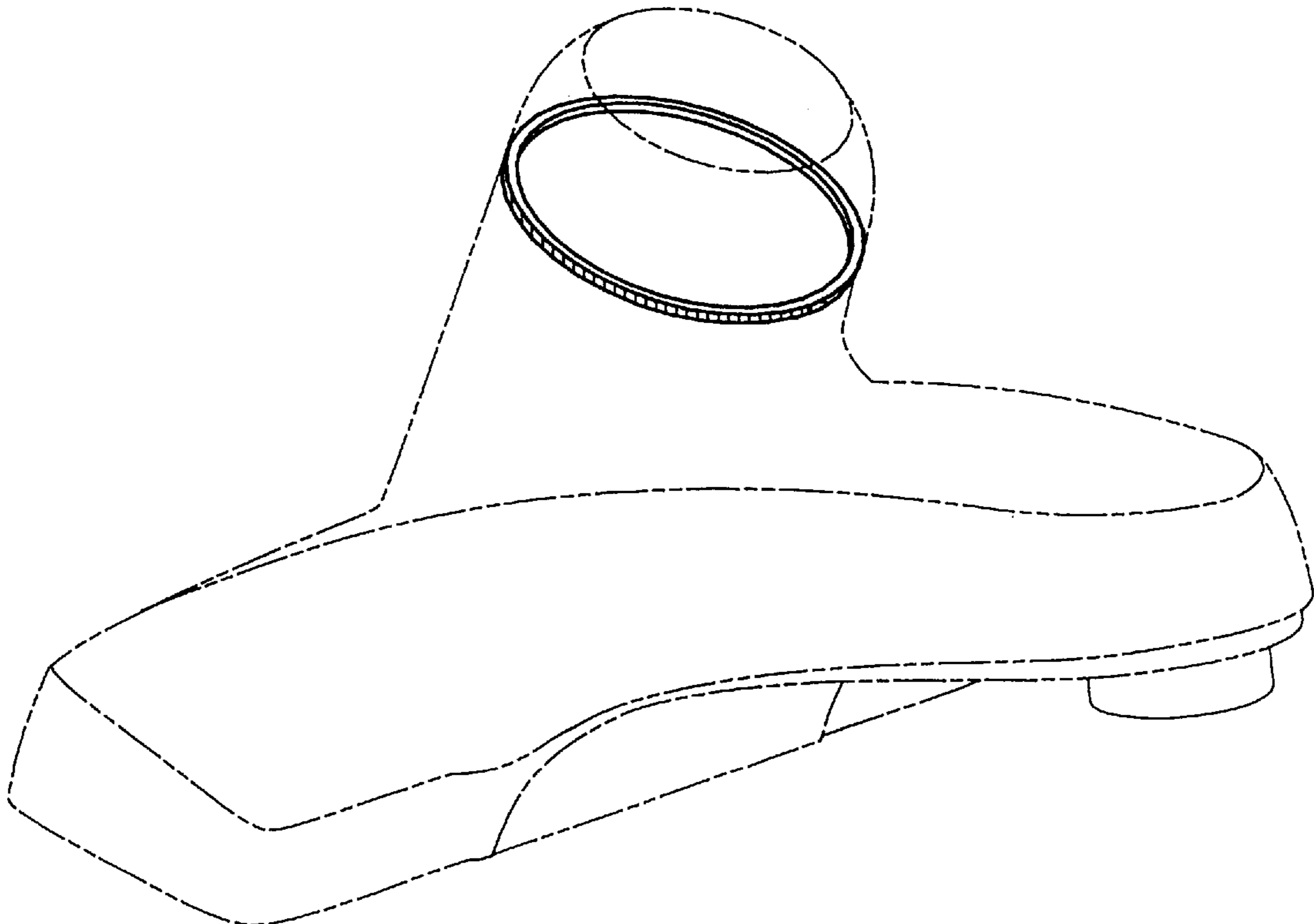
FIG. 5 is a left side view thereof; and,

FIG. 6 is a top plan view, the bottom being a mirror image thereof.

The broken line showing of a faucet is for illustrative purposes only and forms no part of the claimed design.

As shown in FIGS. 1 through 5, and particularly FIGS. 3, 4 and 5, the exterior peripheral surfaces of the right side and the left side of the color code ring are of different contrasting colors as represented by the respective shading. It is to be understood that the contrasting colors are not limited to the colors specifically indicated in the drawing disclosure.

1 Claim, 2 Drawing Sheets



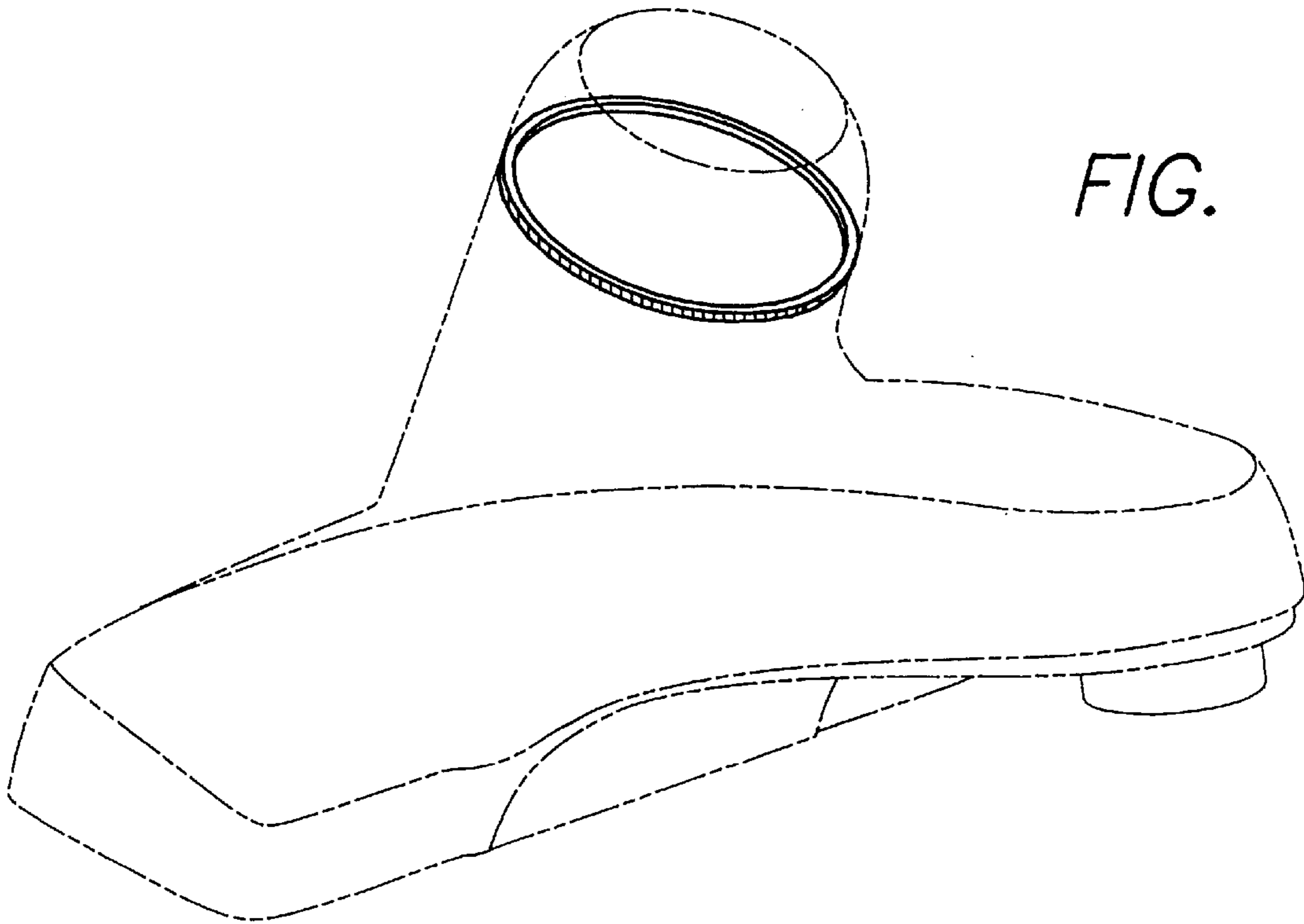


FIG. 1

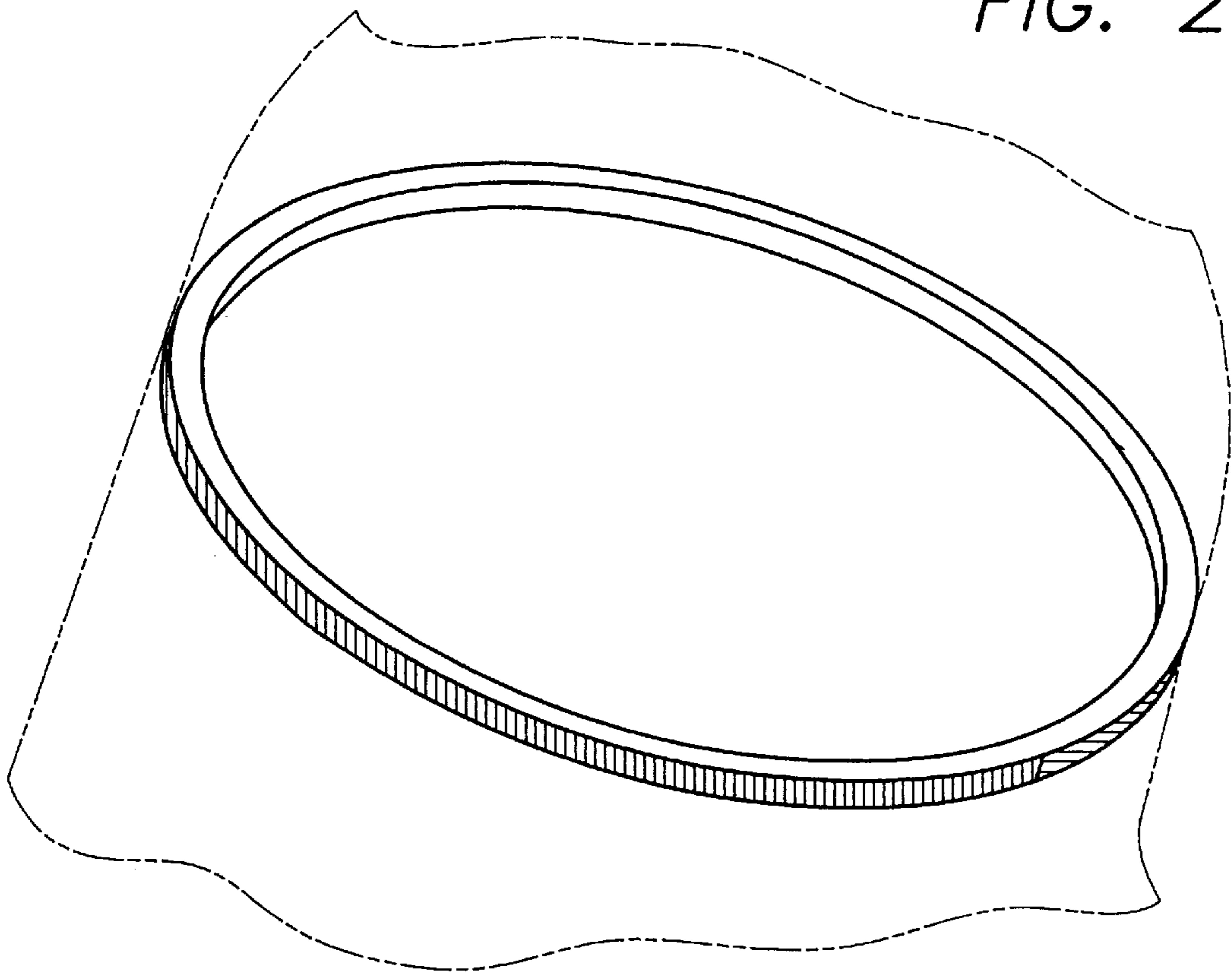


FIG. 2

FIG. 3

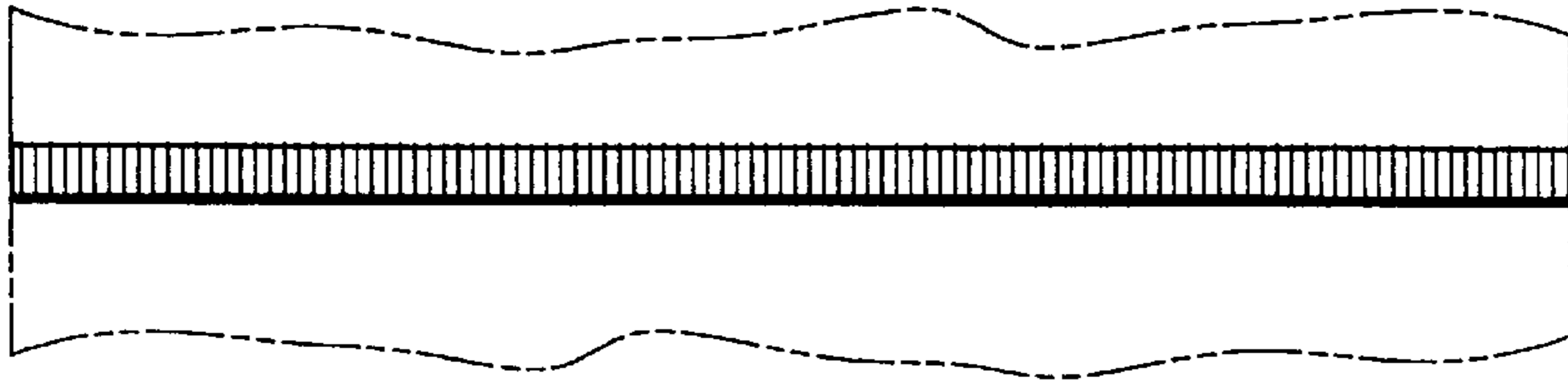
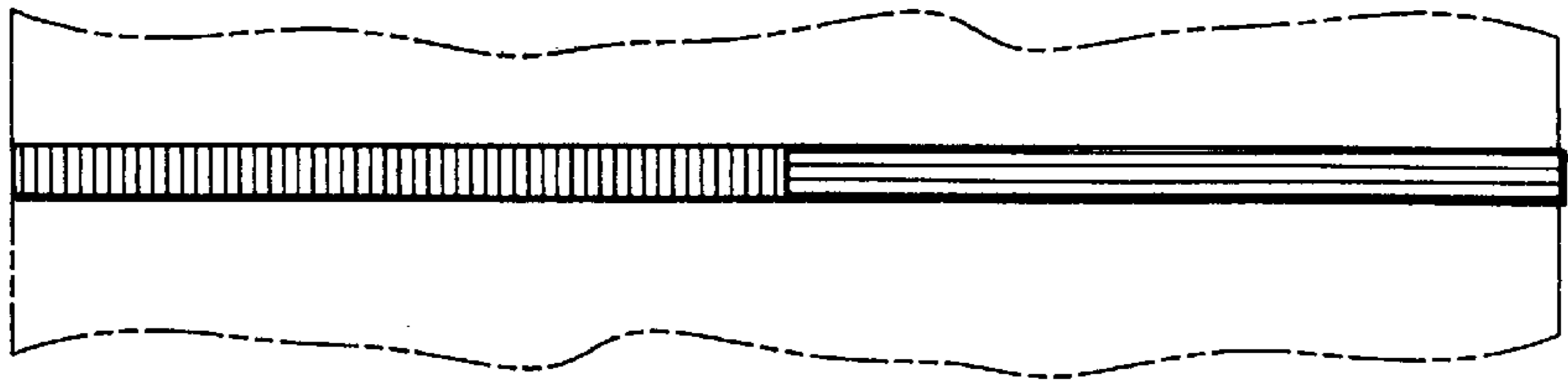


FIG. 4

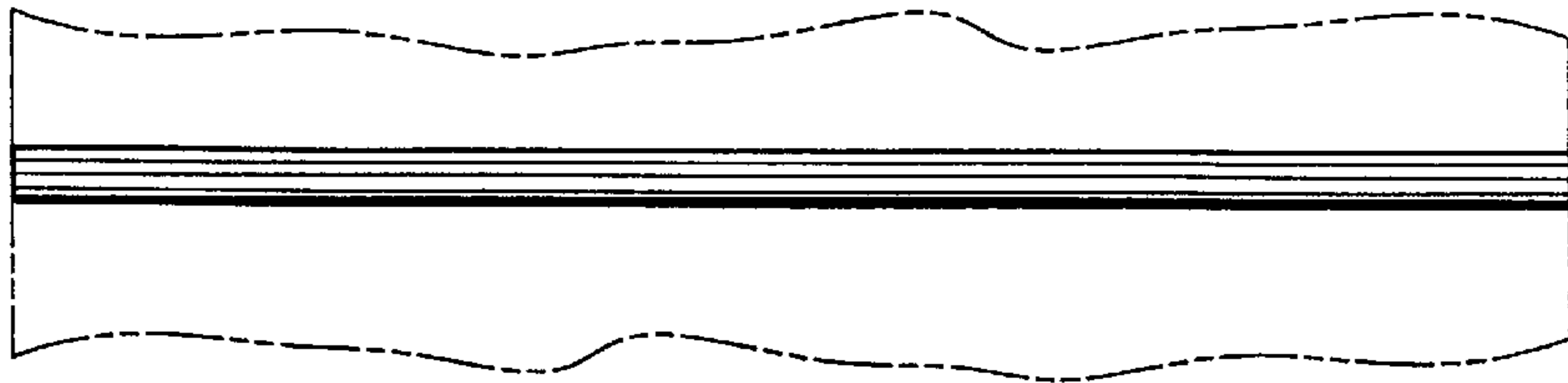


FIG. 5

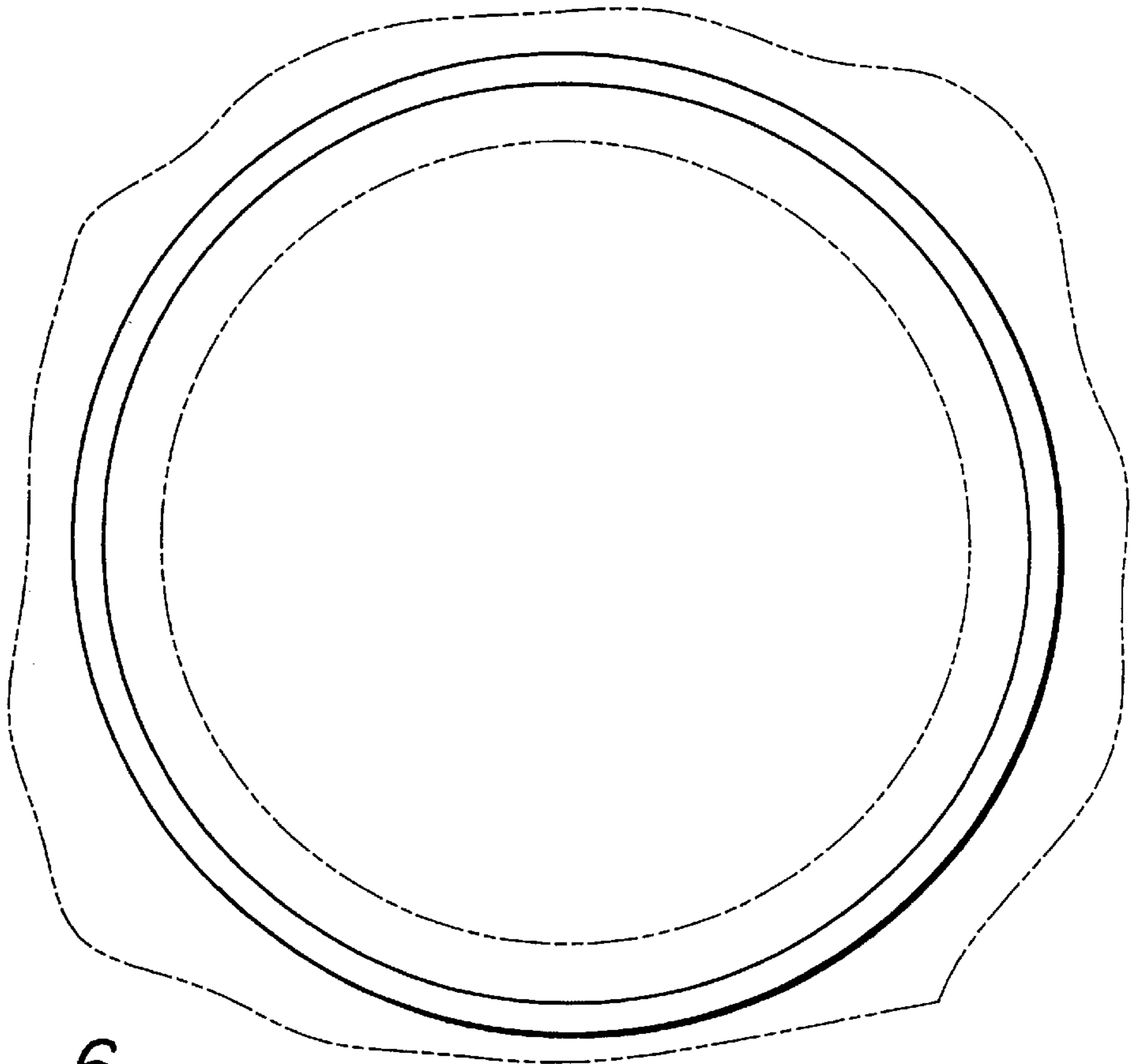


FIG. 6