



US00D402736S

United States Patent [19] Kergoet

[11] **Patent Number: Des. 402,736**

[45] **Date of Patent: **Dec. 15, 1998**

[54] **FAUCET**

[75] **Inventor: Francois Kergoet, Malakoff, France**

[73] **Assignee: Jacob Delafon, Paris, France**

[**] **Term: 14 Years**

[21] **Appl. No.: 66,924**

[22] **Filed: Feb. 24, 1997**

[51] **LOC (6) Cl. 23-01**

[52] **U.S. Cl. D23/238**

[58] **Field of Search D23/238-243,
D23/250-257; 4/675-678; 137/801**

[56] **References Cited**

U.S. PATENT DOCUMENTS

D. 149,344	4/1948	Filter	D23/240
D. 293,599	1/1988	Bergmanne t al.	D23/238
D. 315,194	3/1991	Haus et al.	D23/238
D. 353,441	12/1994	Haus et al.	D23/238
D. 365,624	12/1995	Gottwald	D23/238
D. 372,518	8/1996	Gottwald	D23/238

OTHER PUBLICATIONS

1995 Jacob Delafon catalog ad showing a "Tao 71227" faucet.

Undated Kohler ad, p. 41, showing "Flair II" faucets.

Undated Jado ad showing a faucet.

Undated KWC ad showing a faucet.

Primary Examiner—Doris V. Coles
Assistant Examiner—Eric Watterson
Attorney, Agent, or Firm—Quarles & Brady

[57] **CLAIM**

The ornamental design for a faucet, as shown and described.

DESCRIPTION

FIG. 1 is a left, top, front perspective view of a plumbing faucet embodying my new design;

FIG. 2 is a front elevational view thereof;

FIG. 3 is a top plan view thereof;

FIG. 4 is a left side elevational view thereof, the right side elevational view being a mirror image of the left side shown;

FIG. 5 is a rear elevational view thereof;

FIG. 6 is a bottom plan view thereof;

FIG. 7 is a left, top, front perspective view of a second embodiment which is identical to the first embodiment but for the rear linkage;

FIG. 8 is a front elevational view thereof;

FIG. 9 is a top plan view thereof;

FIG. 10 is a left side elevational view thereof, the right side elevational view being a mirror image of the left side shown;

FIG. 11 is a rear elevational view thereof; and,

FIG. 12 is a bottom plan view thereof.

The broken line representations of holes in FIGS. 1, 4, 5, 7, 10, and 12 are for the purpose of illustration only, and form no part of the claimed design.

1 Claim, 7 Drawing Sheets

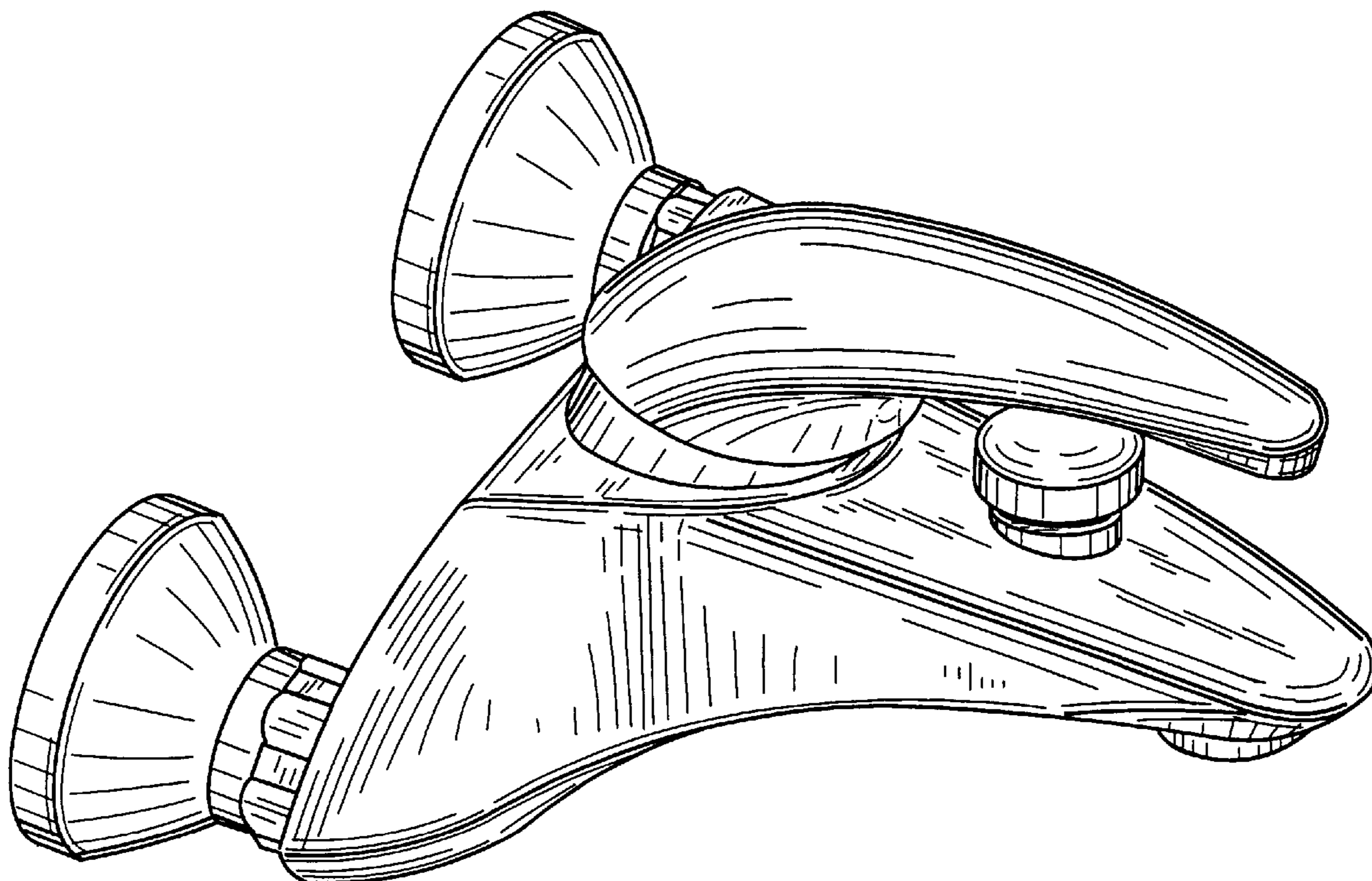


FIG. 1

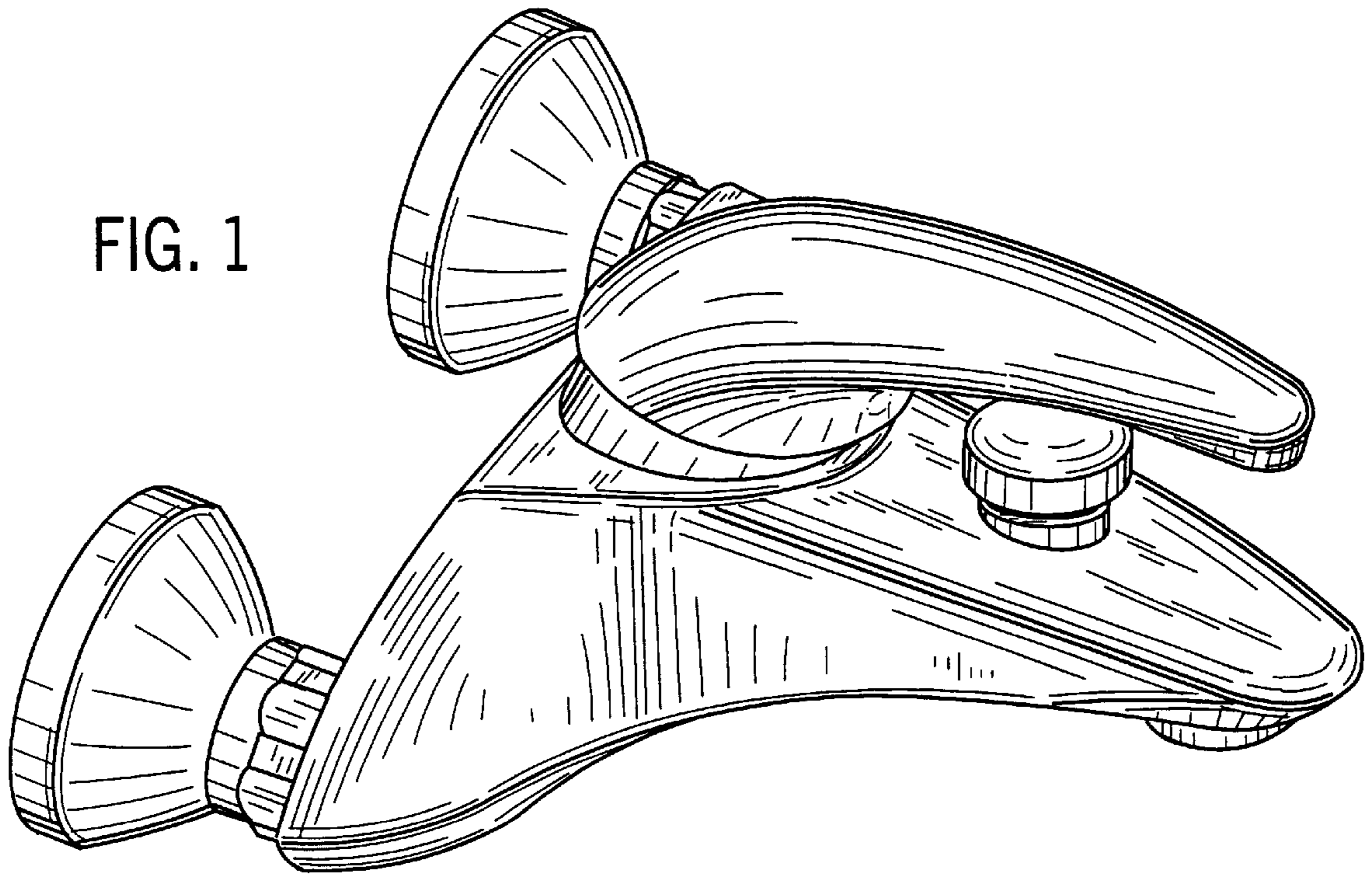
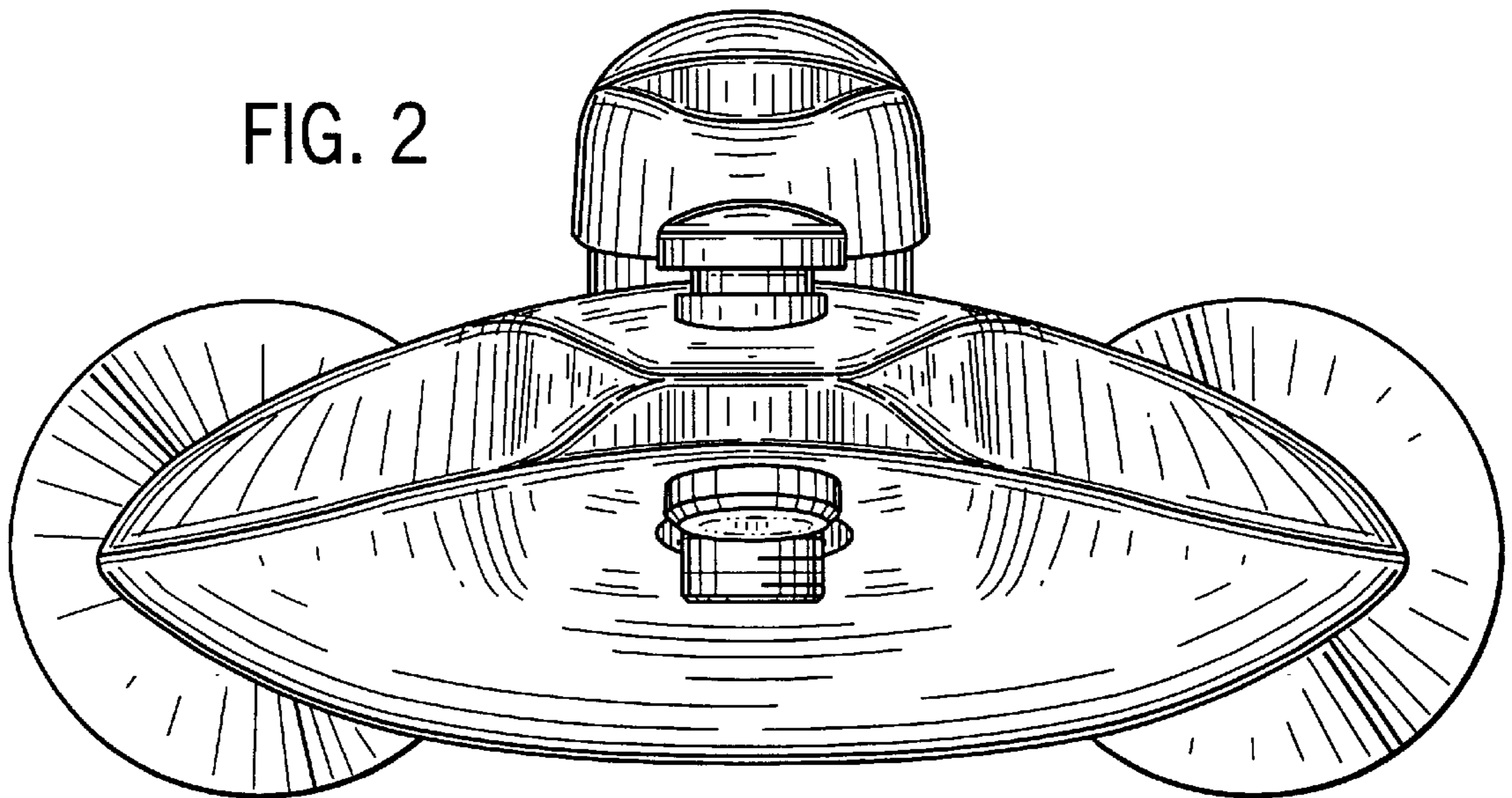


FIG. 2



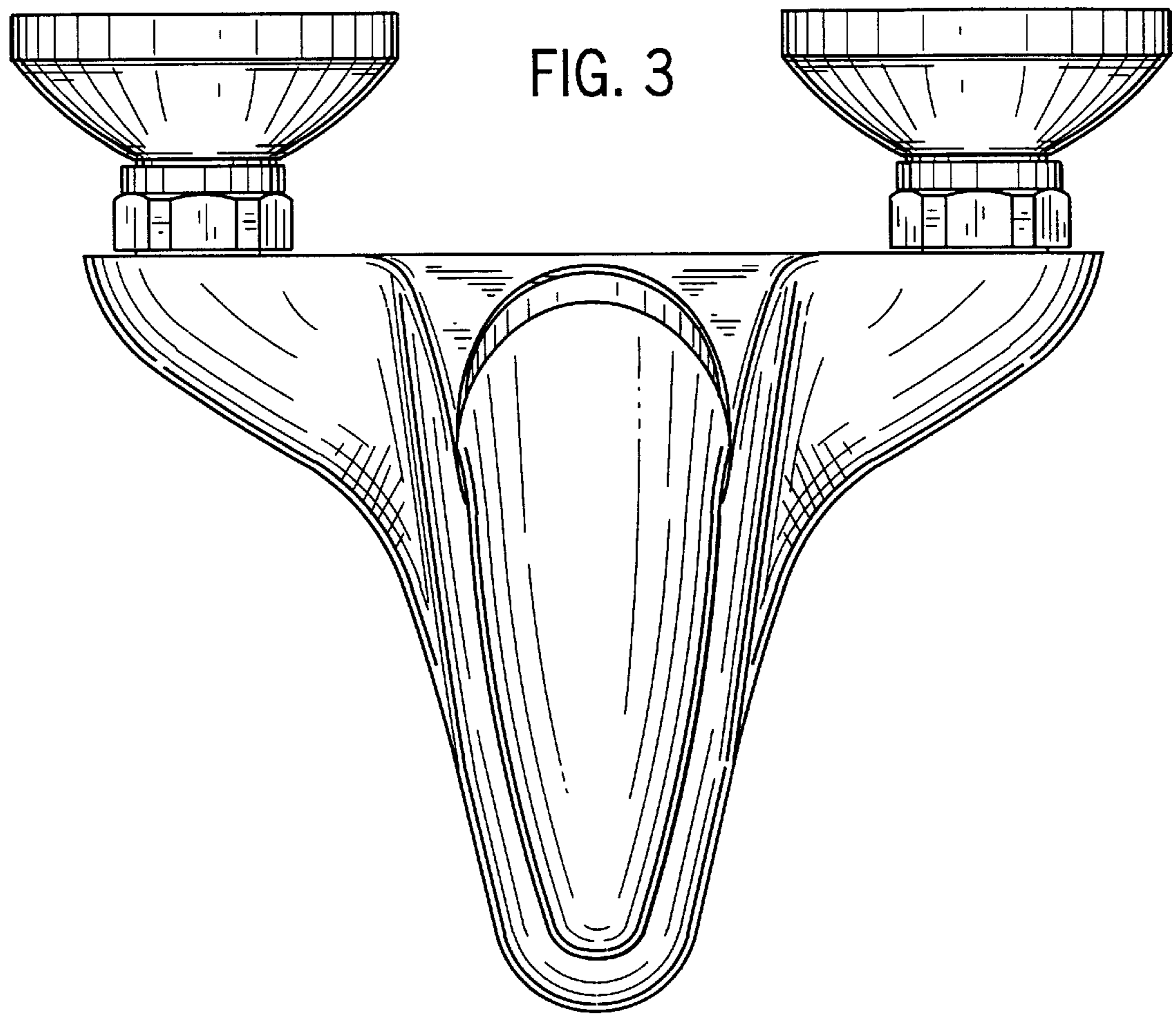


FIG. 4

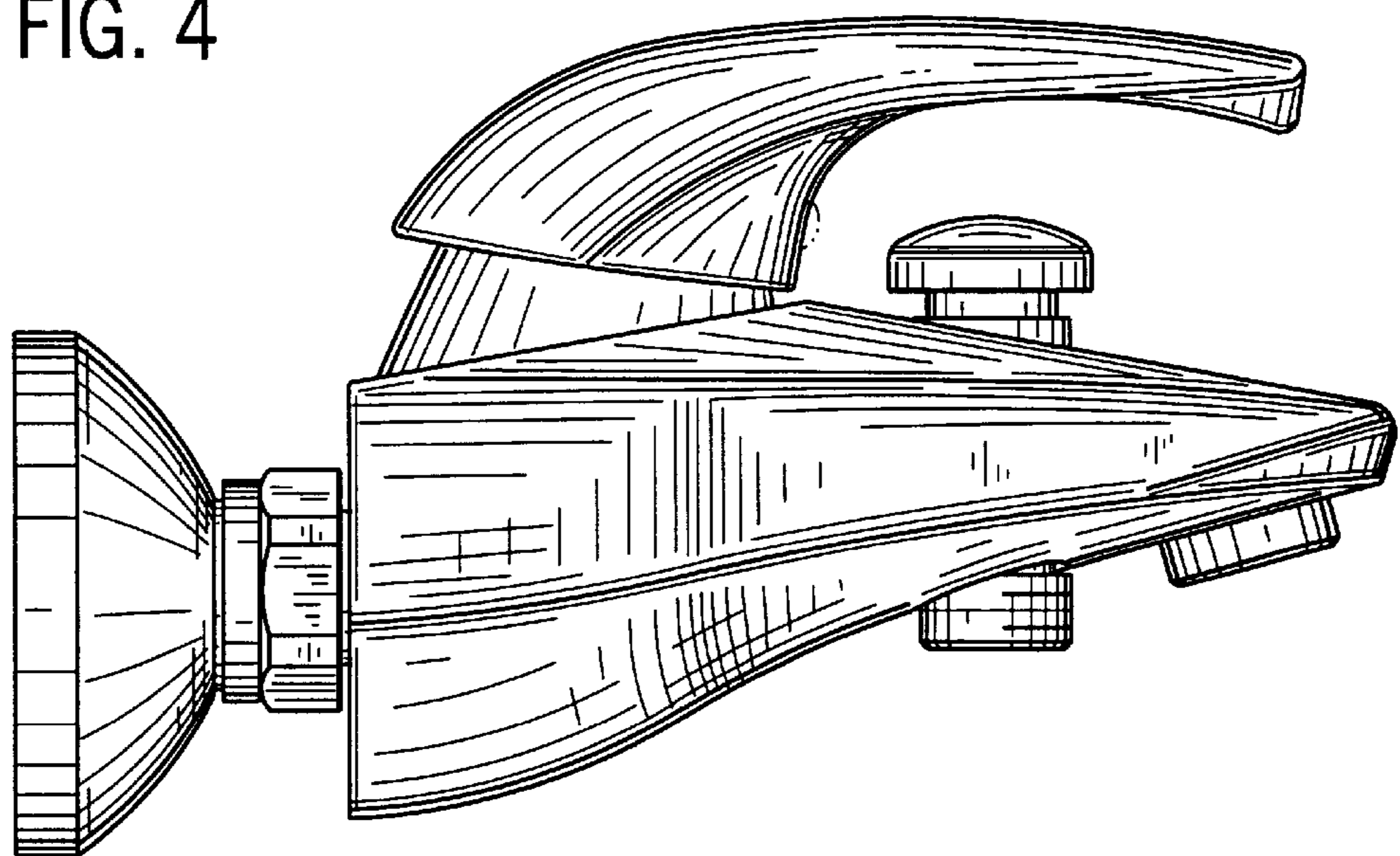


FIG. 5

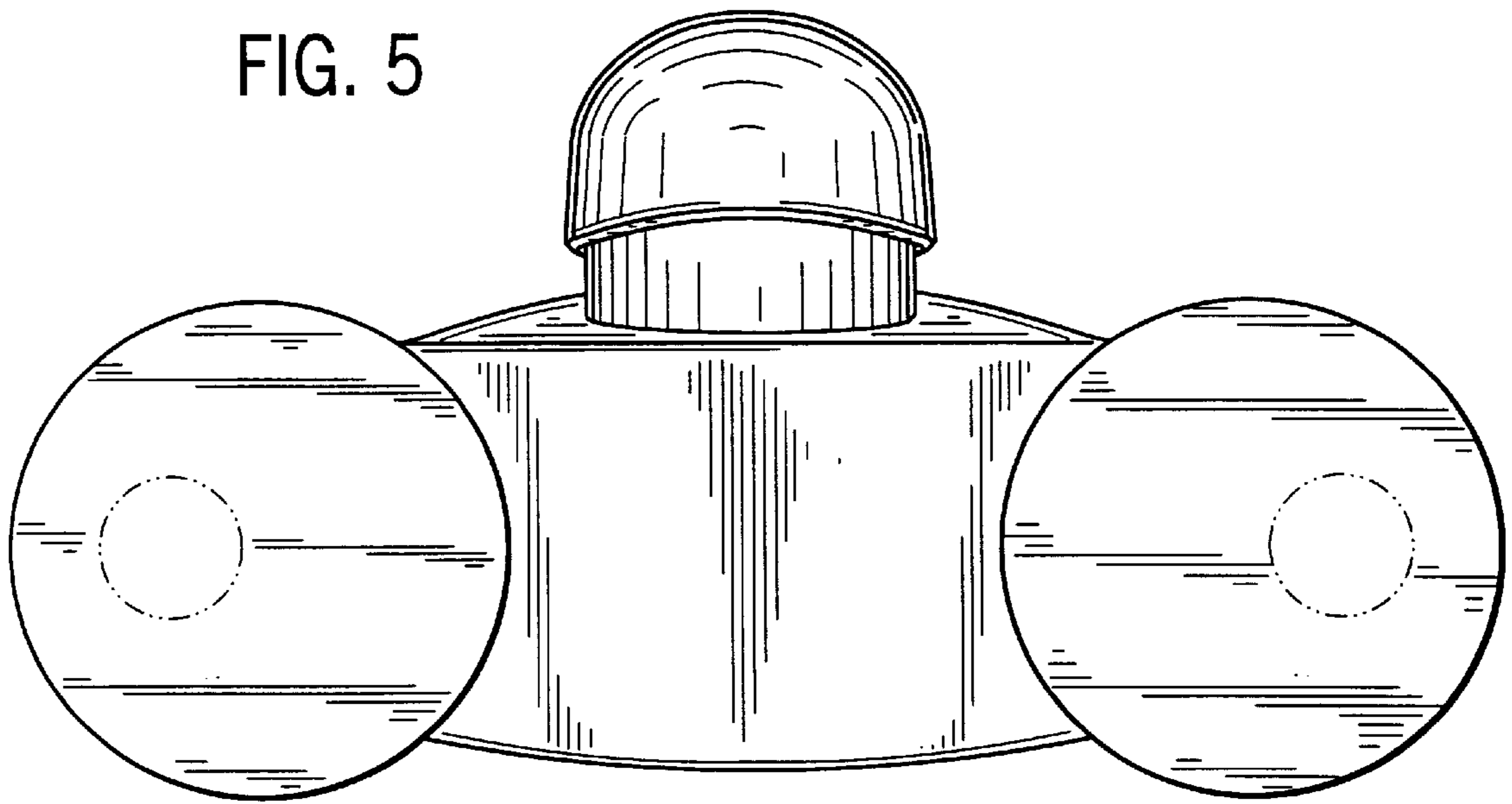


FIG. 6

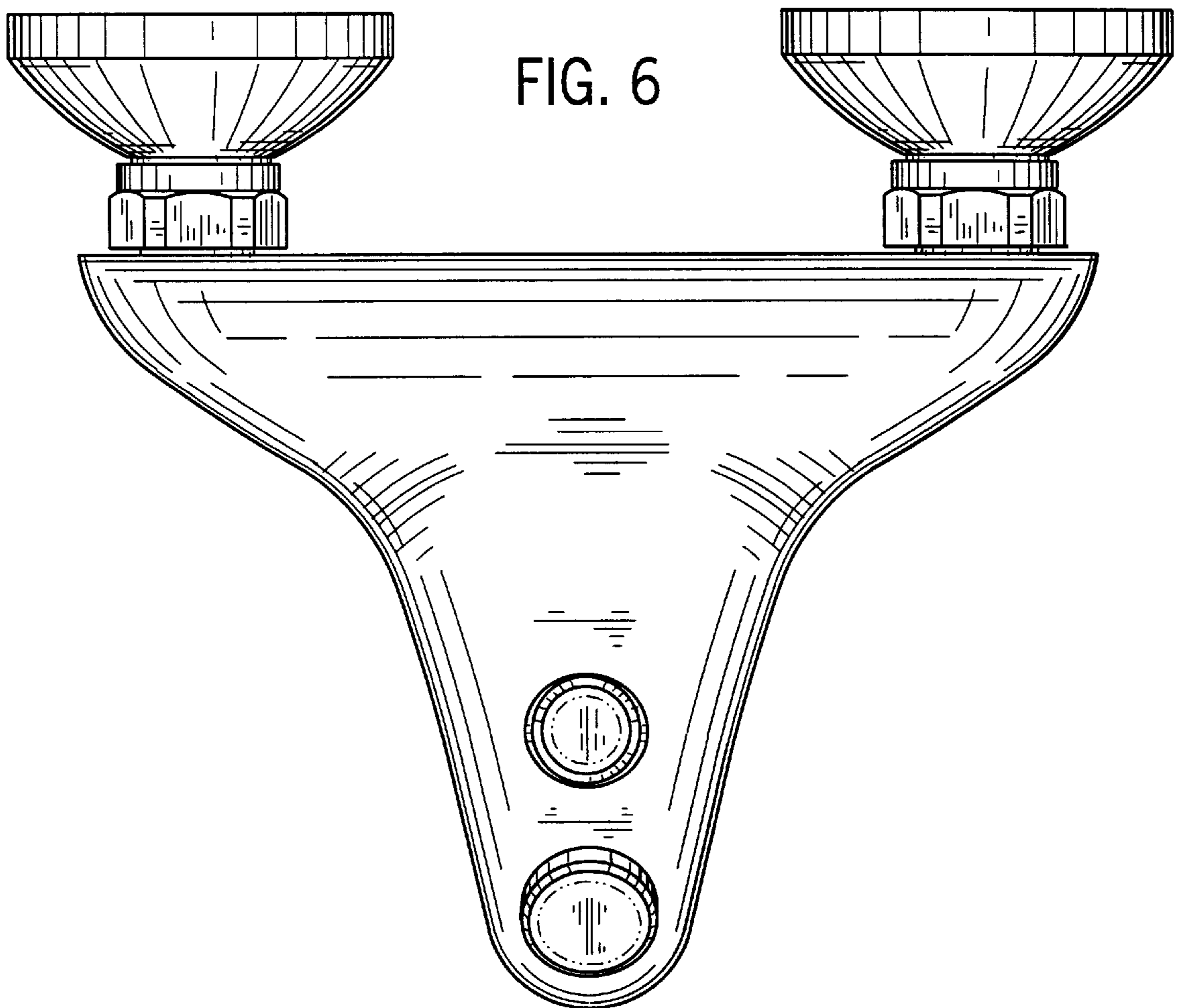


FIG. 7

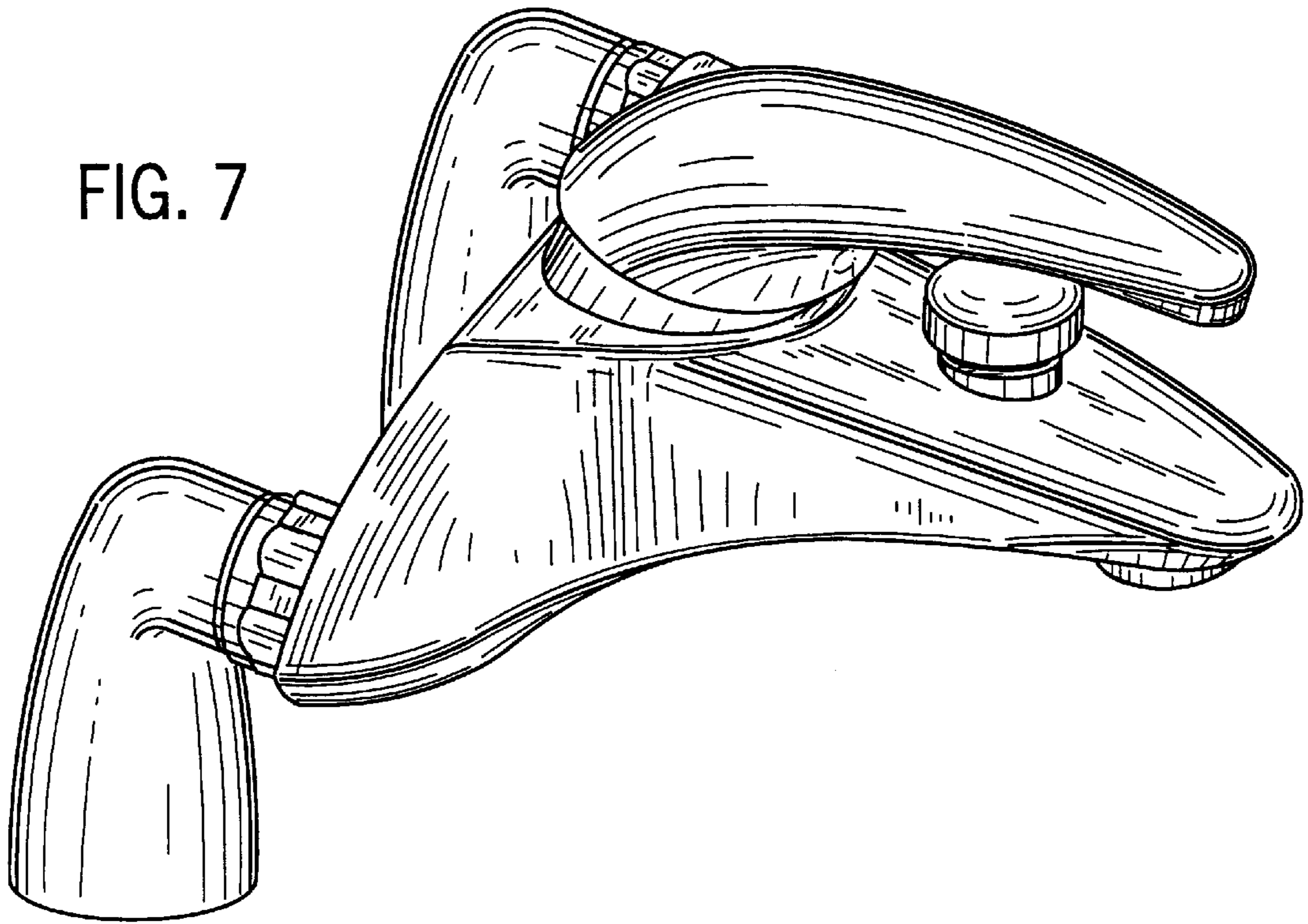
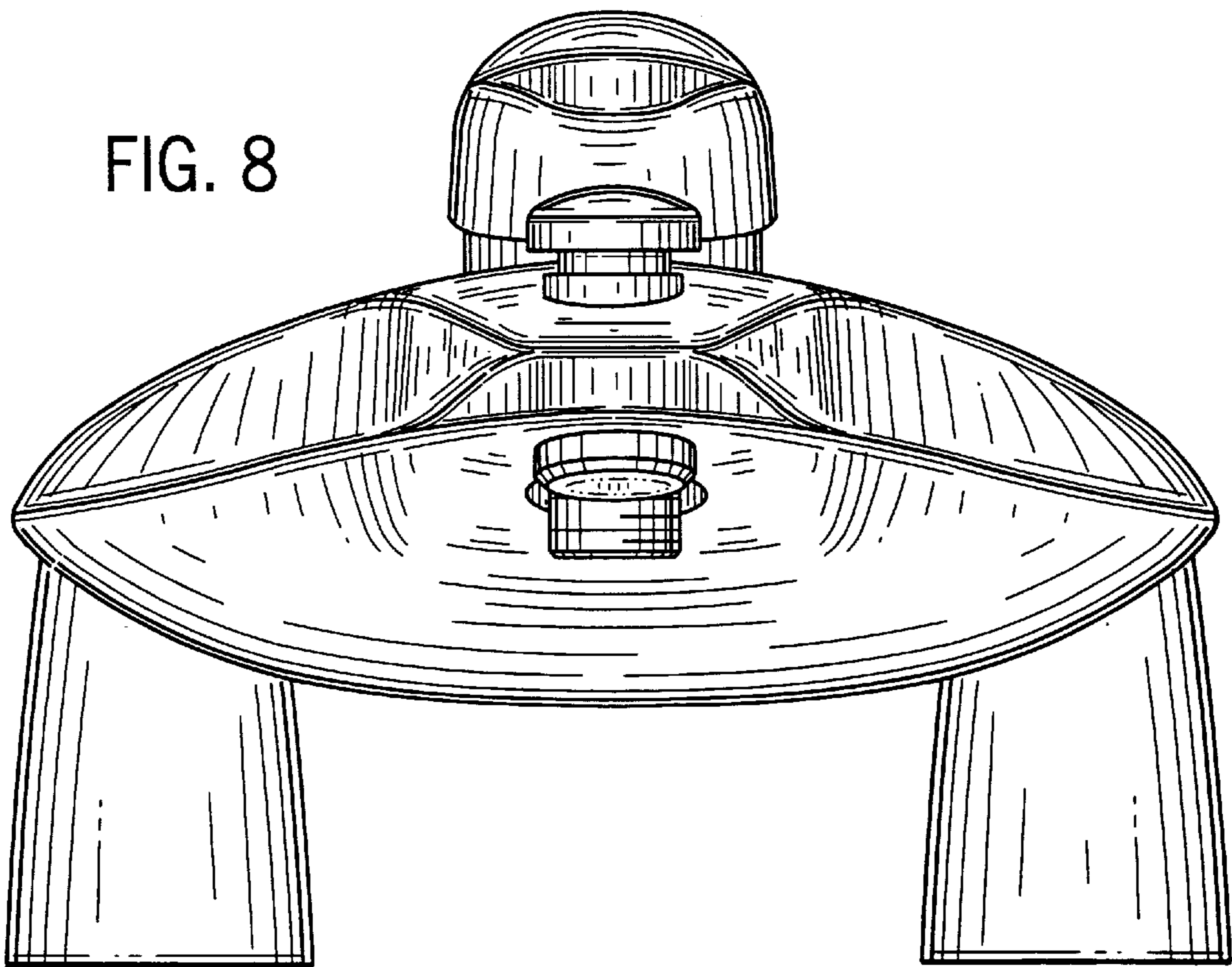


FIG. 8



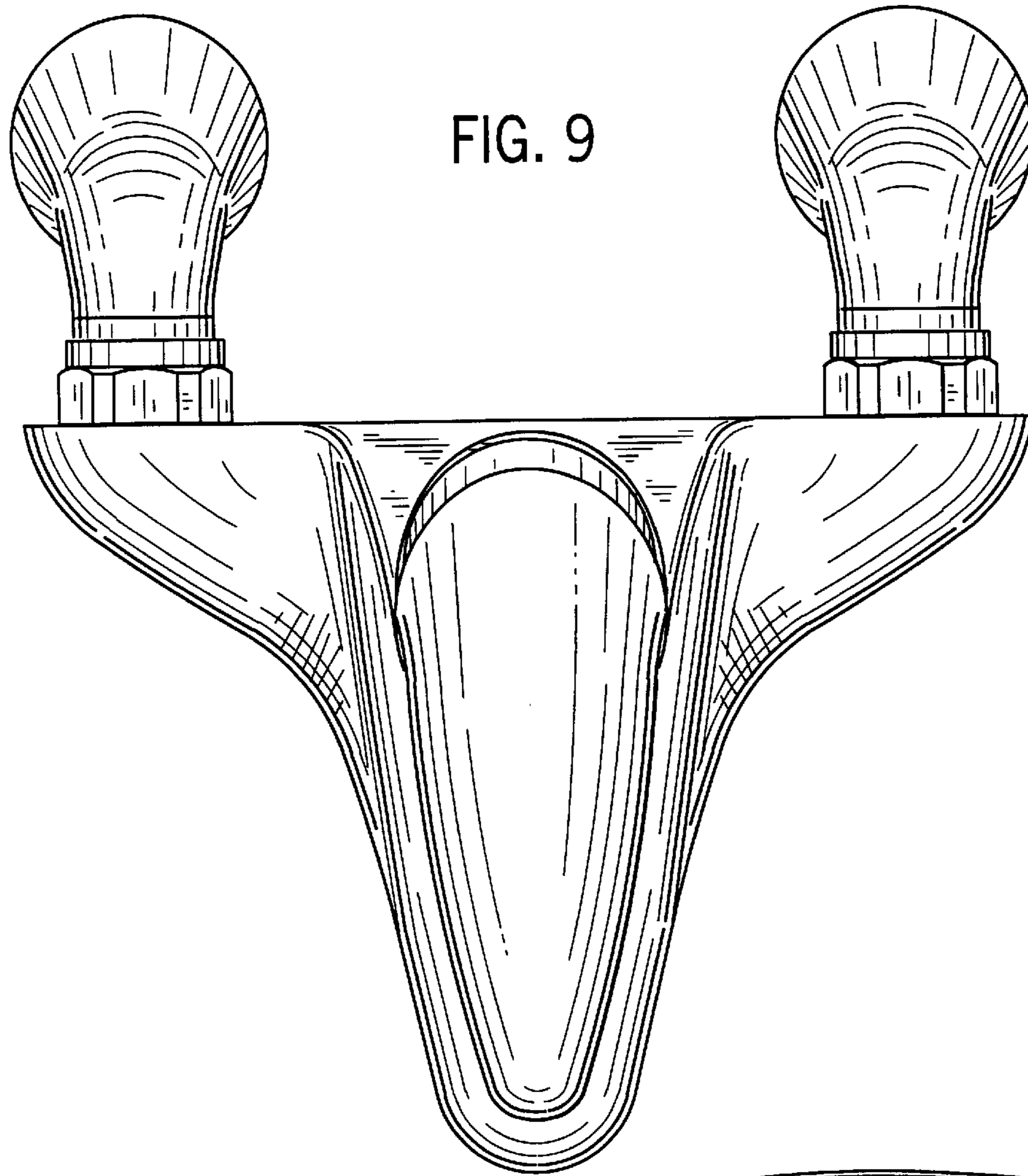


FIG. 9

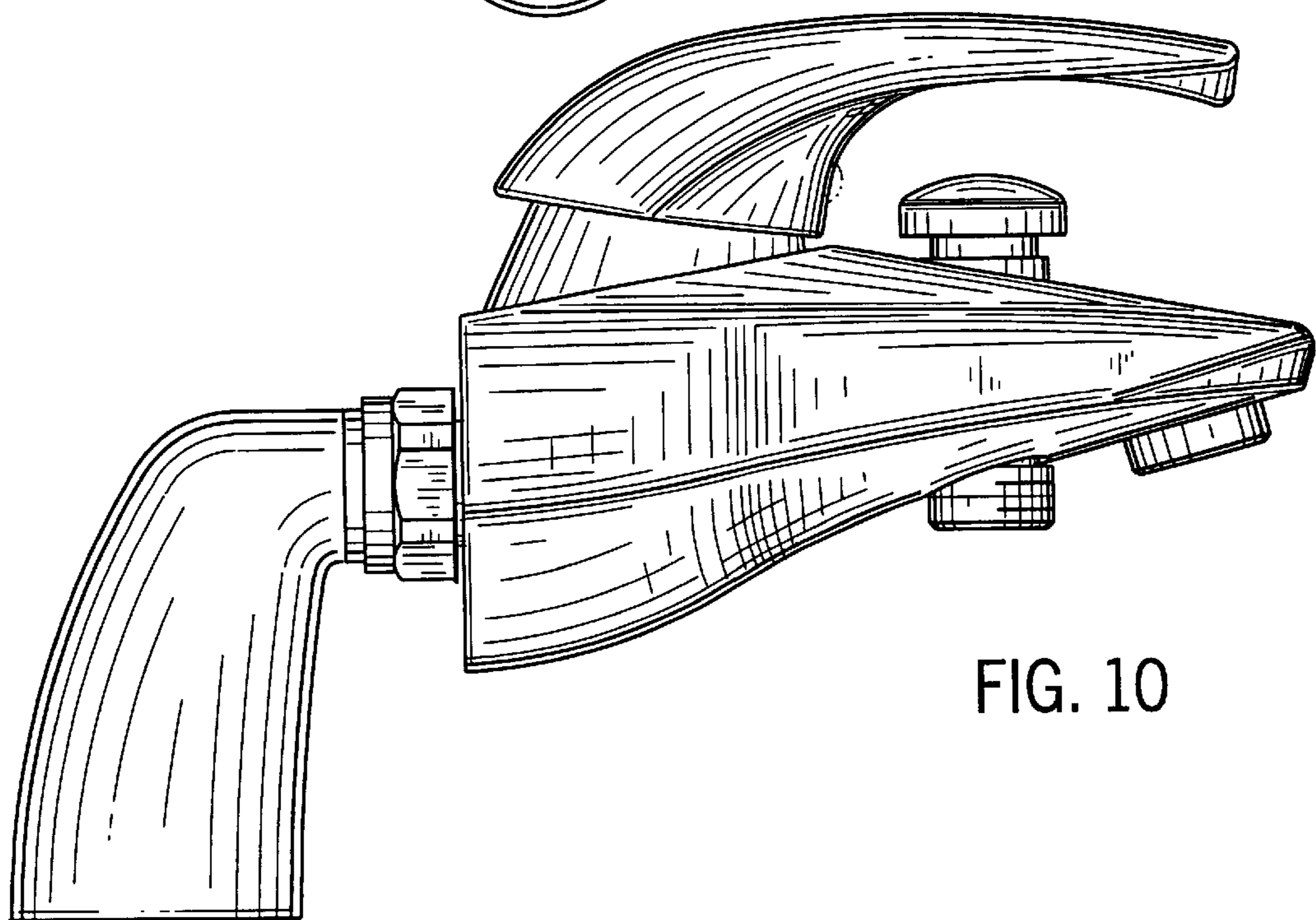


FIG. 10

FIG. 11

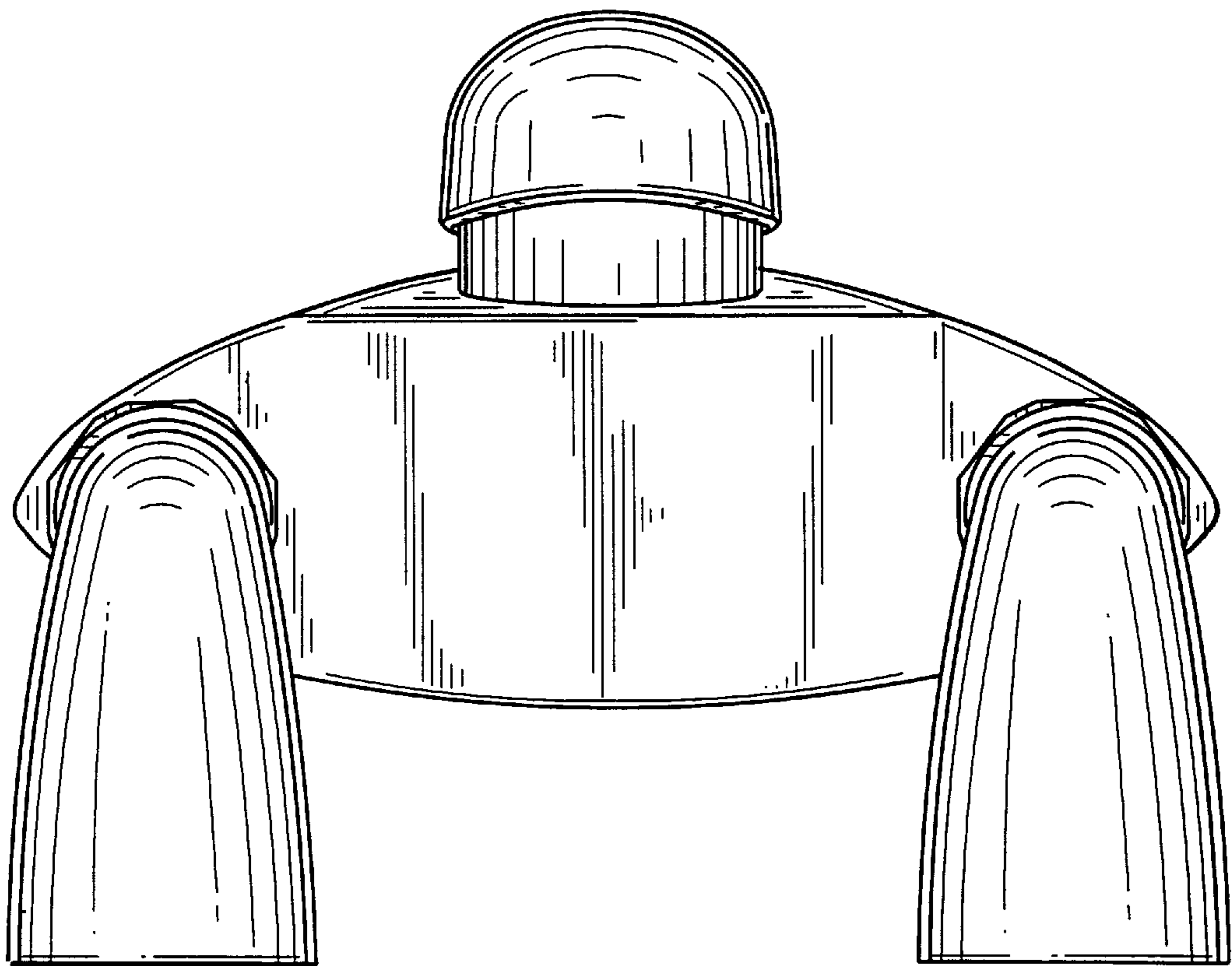


FIG. 12

