

US00D402735S

# United States Patent [19] Kott

[11] **Patent Number: Des. 402,735**

[45] **Date of Patent: \*\*Dec. 15, 1998**

[54] **FILTER**

[75] Inventor: **Leonard B. Kott**, North Massapequa, N.Y.

[73] Assignee: **Pleatco Electronic & Filter Corp.**, West Babylon, N.Y.

[\*\*] Term: **14 Years**

[21] Appl. No.: **83,328**

[22] Filed: **Feb. 6, 1998**

[51] **LOC (6) Cl. .... 23-01**

[52] **U.S. Cl. .... D23/209**

[58] **Field of Search .... D23/200, 207, D23/209; 210/493.1, 493.2, 484, 499**

[56] **References Cited**

**U.S. PATENT DOCUMENTS**

D. 306,640	3/1990	Kott .	
D. 366,516	1/1996	Stewart .....	D23/209
3,448,862	6/1969	Kudaty .....	210/499
4,560,477	12/1985	Moldow .....	210/493.1
4,735,720	4/1988	Kersting .....	210/497.01
5,211,849	5/1993	Kott et al. .	
5,531,848	7/1996	Brinda et al. ....	210/497.01

**OTHER PUBLICATIONS**

Front cover of Pleatco's "Replacement Swimming Pool and Spa Filter Cartridge Catalog"; Date of Publication: 1991; Place of Publication United States.

Unicel's 1998 Replacement Guide (cover and pp. 1 and 71); date of Publication: unknown, but copyright notice indicates similar guides have been published since 1985; Place of Publication: United States.

*Primary Examiner*—Alan P. Douglas  
*Assistant Examiner*—Robin V. Taylor  
*Attorney, Agent, or Firm*—Hoffmann & Baron, LLP

[57] **CLAIM**

The ornamental design of a filter, as shown and described.

**DESCRIPTION**

FIG. 1 is a front side perspective view of a filter showing my new design;

FIG. 2 is a top plan view thereof; and

FIG. 3 is a bottom plan view thereof;

FIG. 4 is a front elevational view thereof;

FIG. 5 is a side elevational view thereof; and,

FIG. 6 is a back elevational view thereof opposite to that shown in FIG. 4.

**1 Claim, 5 Drawing Sheets**

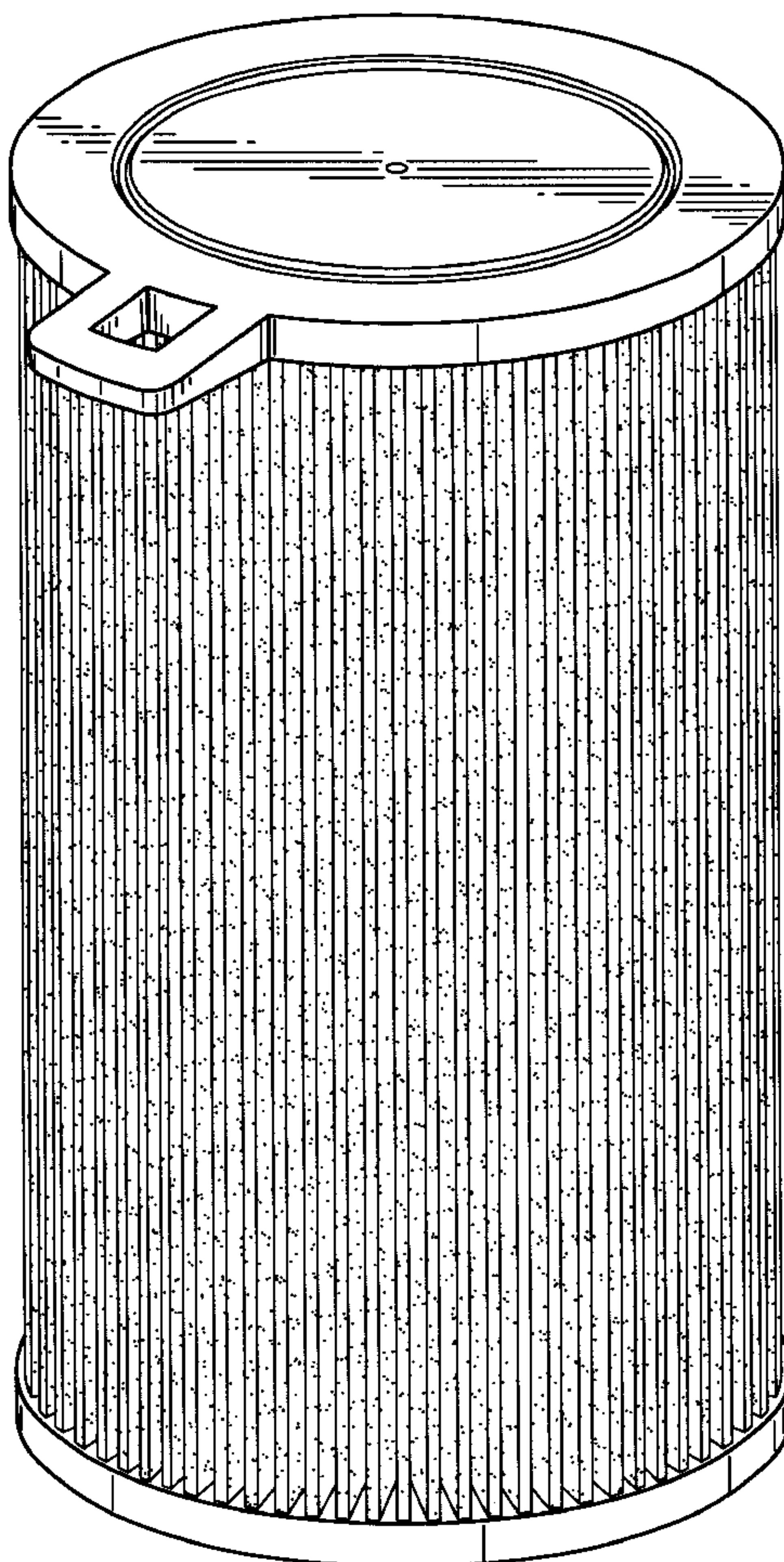


FIG-1

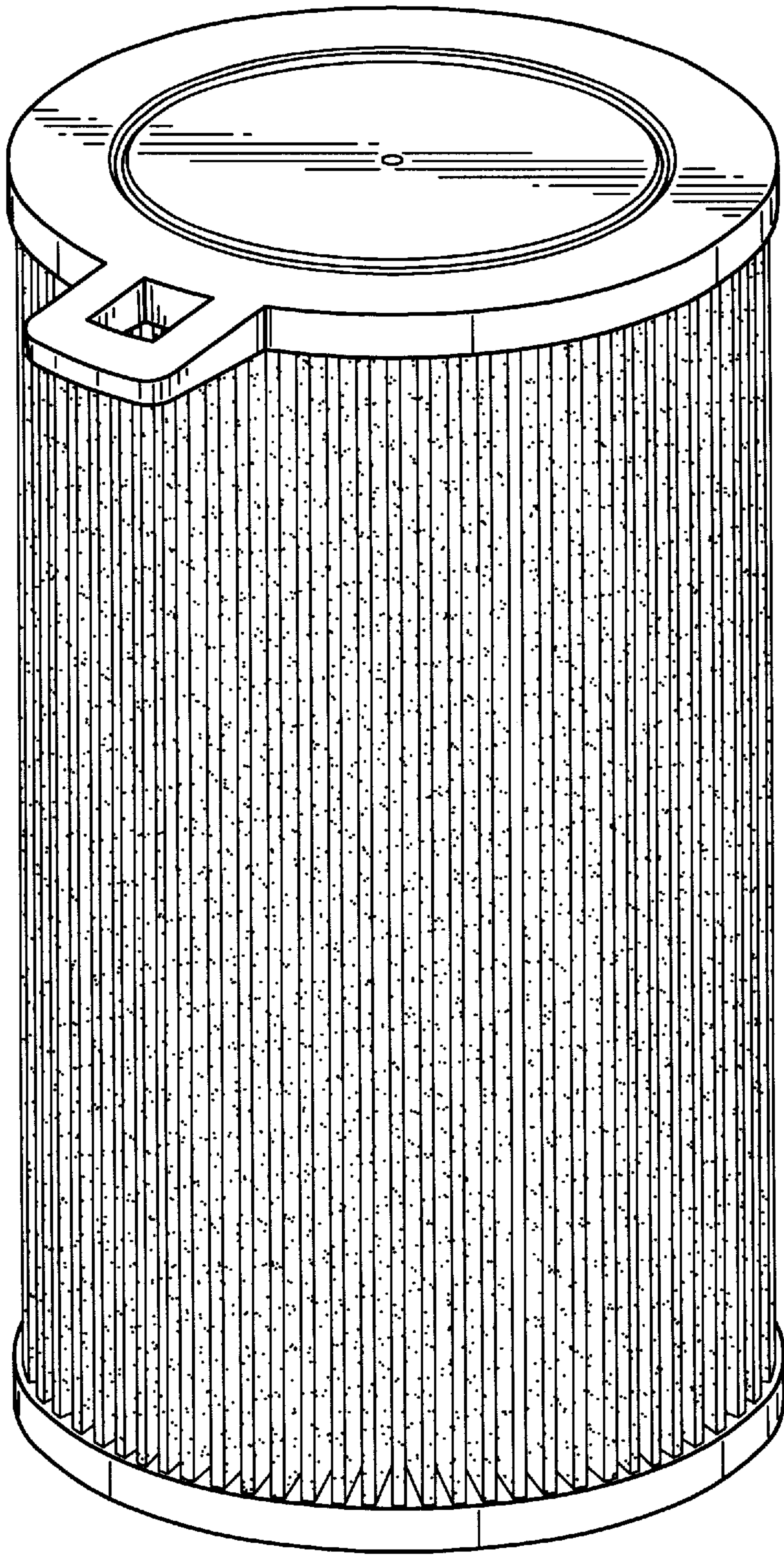


FIG-2

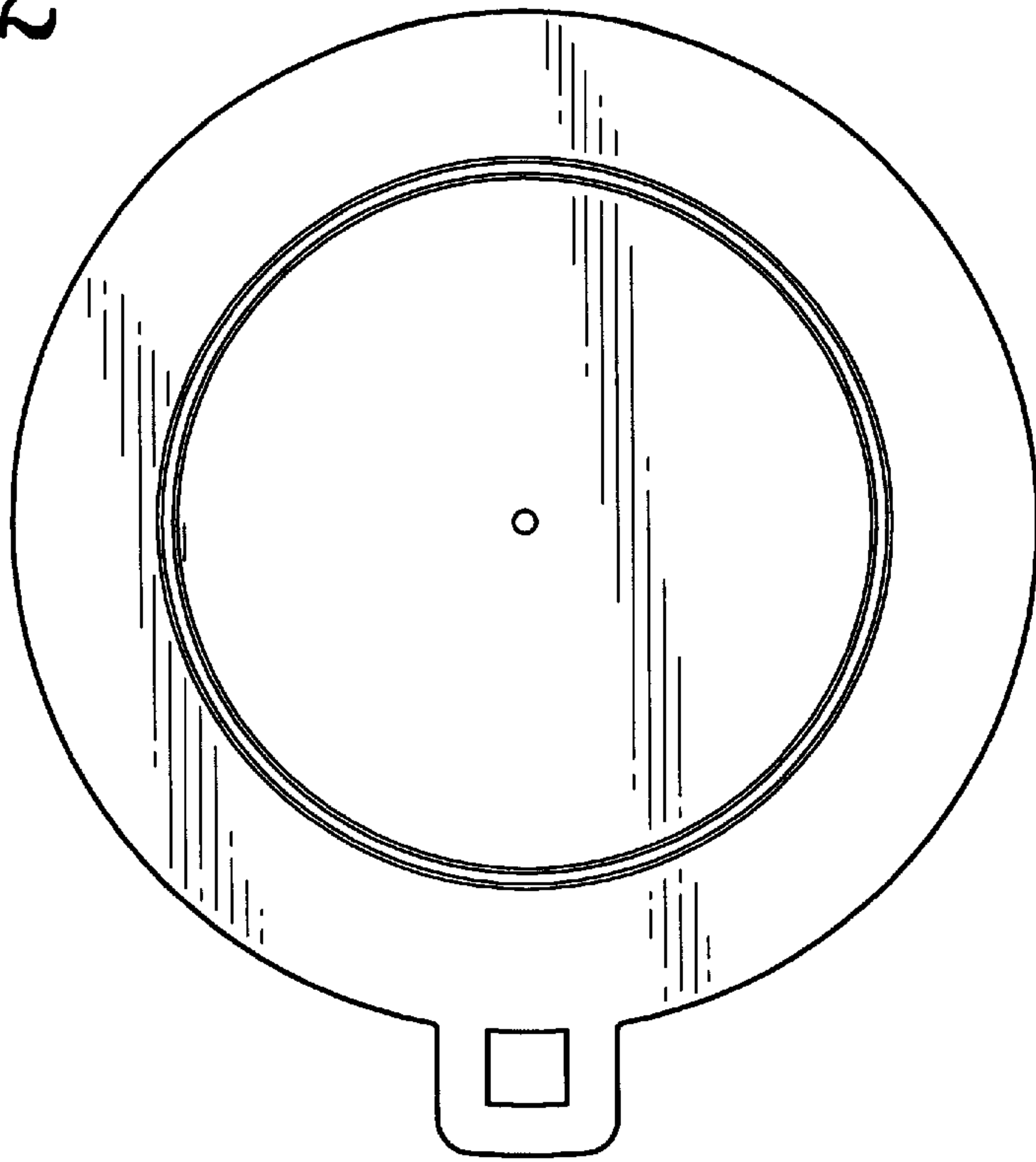


FIG-3

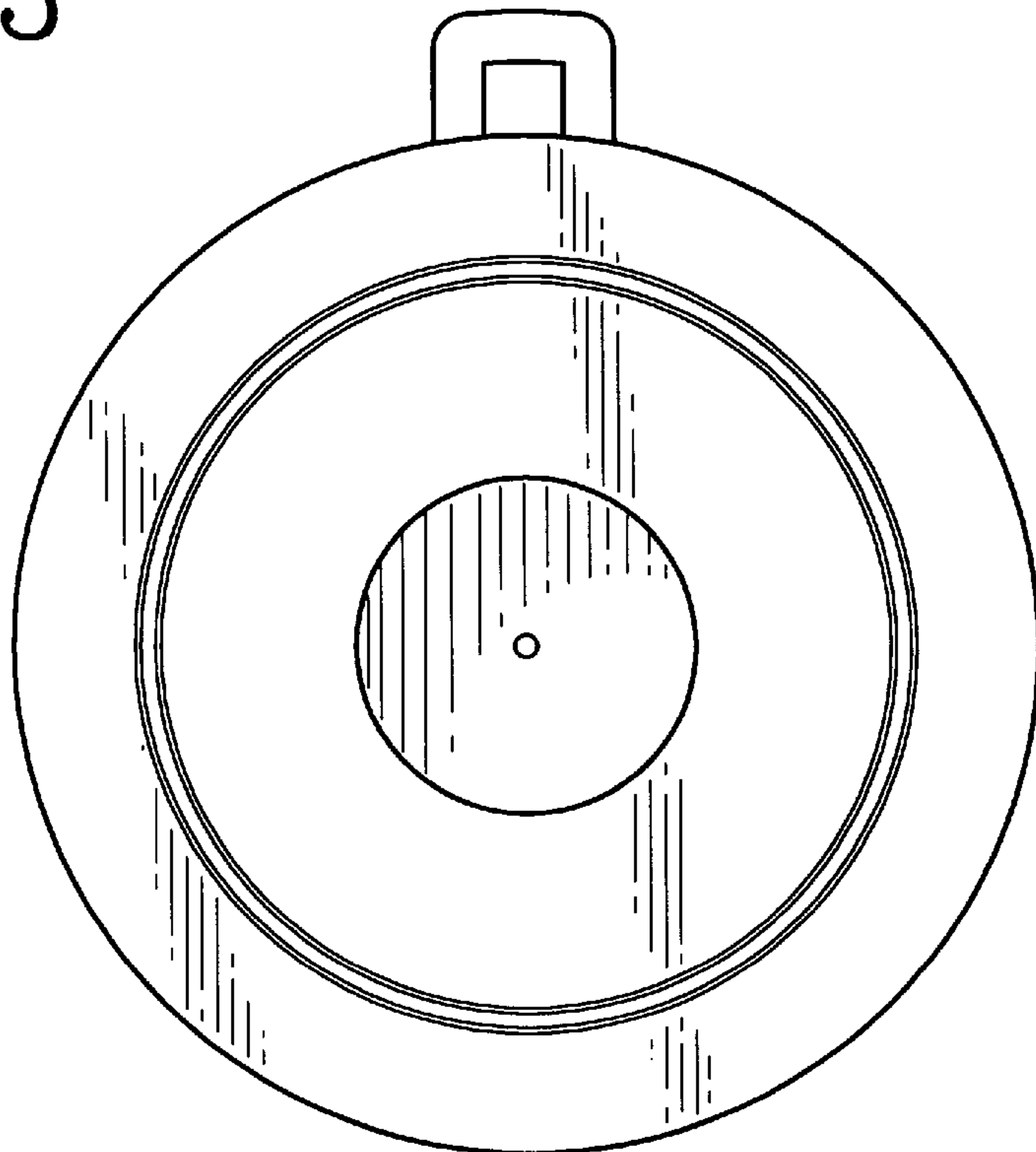


FIG-4

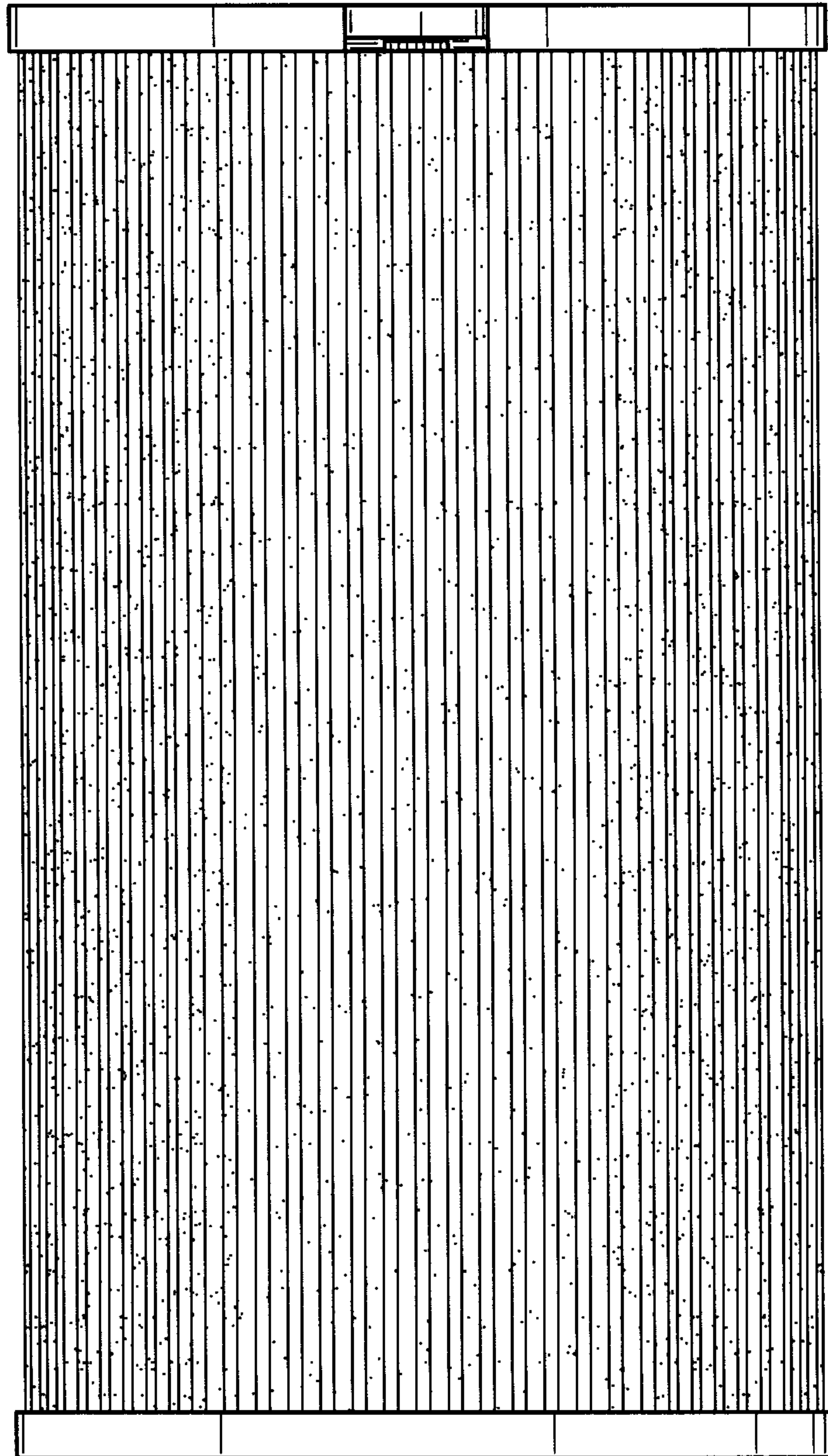




FIG-5

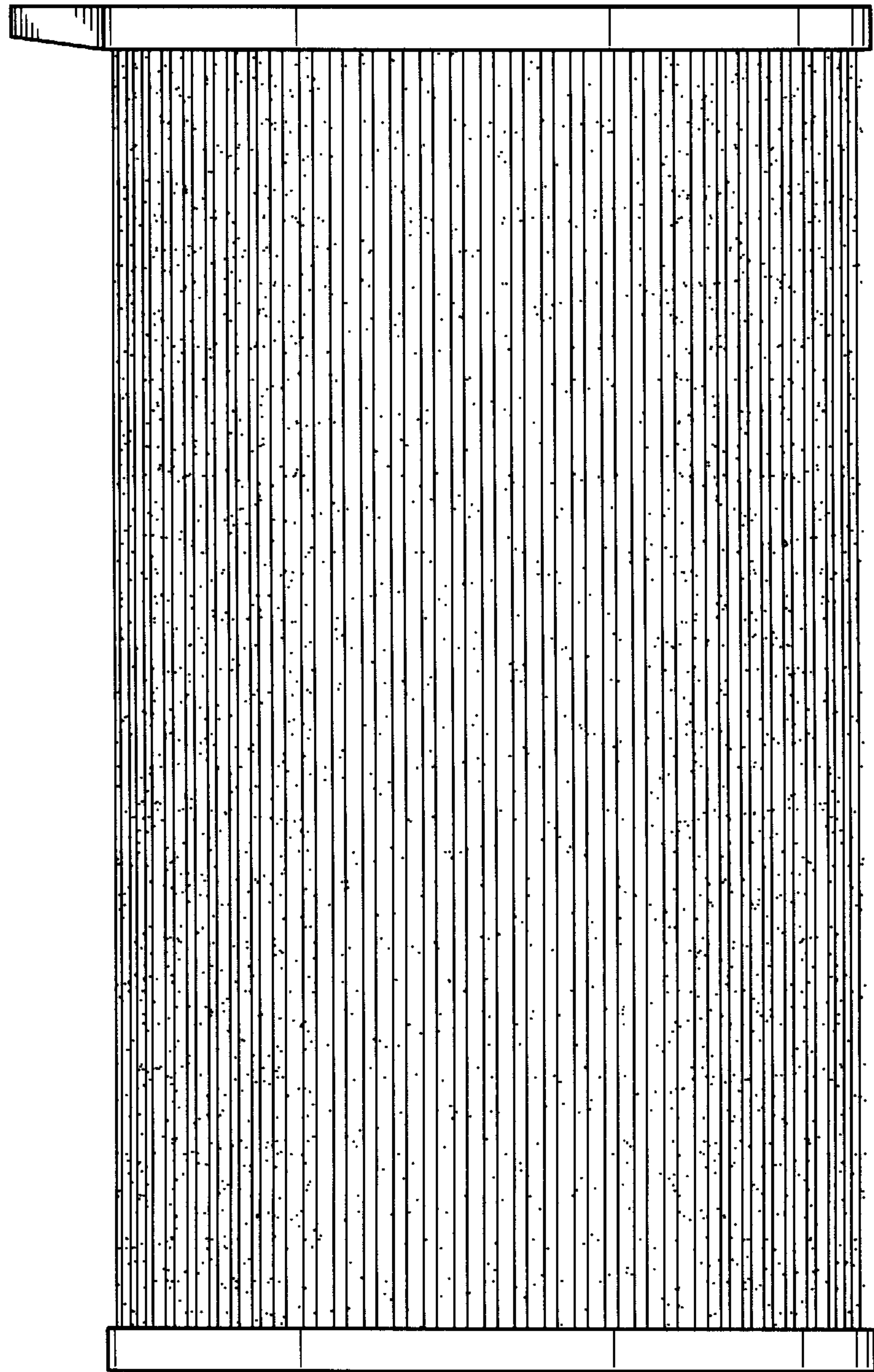


FIG-6

