

US00D402733S

United States Patent [19]

Asano et al.

[11] **Patent Number: Des. 402,733**

[45] **Date of Patent: ***Dec. 15, 1998**

[54] **FISHING REEL HANDLE**

[75] Inventors: **Shinichi Asano**, Musahino; **Takeo Miyazaki**, Higashikurume, both of Japan

[73] Assignee: **Daiwa Seiko, Inc.**, Tokyo, Japan

[*] Notice: The portion of the term of this patent subsequent to May 14, 2010, has been disclaimed.

The term of this patent shall not extend beyond the expiration date of Pat. No. Des. 369,641.

[**] Term: **14 Years**

[21] Appl. No.: **54,346**

[22] Filed: **May 13, 1996**

[30] **Foreign Application Priority Data**

Nov. 13, 1995 [JP] Japan 7-34185

[51] **LOC (6) Cl.** **22-05**

[52] **U.S. Cl.** **D22/140**

[58] **Field of Search** D22/140, 141, D22/137; 242/283, 279, 310, 311, 312, 313, 288, 262

[56] **References Cited**

U.S. PATENT DOCUMENTS

D. 346,005	4/1994	Sakurai et al.	D22/140
D. 347,460	5/1994	Ohi	D22/140
D. 356,138	3/1995	Onishi	D22/140
D. 369,641	5/1996	Asano et al. .	
D. 369,848	5/1996	Asano et al.	D22/140

Primary Examiner—Doris V. Coles
Attorney, Agent, or Firm—IP Group of Pillsbury Madison & Sutro LLP

[57] **CLAIM**

The ornamental design for a fishing reel handle, as shown and described.

DESCRIPTION

FIG. 1 is a top, front and right side of the perspective view of a fishing reel handle showing our new design; FIG. 2 is a front elevational view thereof; FIG. 3 is a right side elevational view thereof; FIG. 4 is a top plan view thereof; and, FIG. 5 is a bottom view thereof.

The broken line showing of knobs in FIGS. 1-5 is for illustrative purposes only and forms no part of the claimed design.

1 Claim, 3 Drawing Sheets

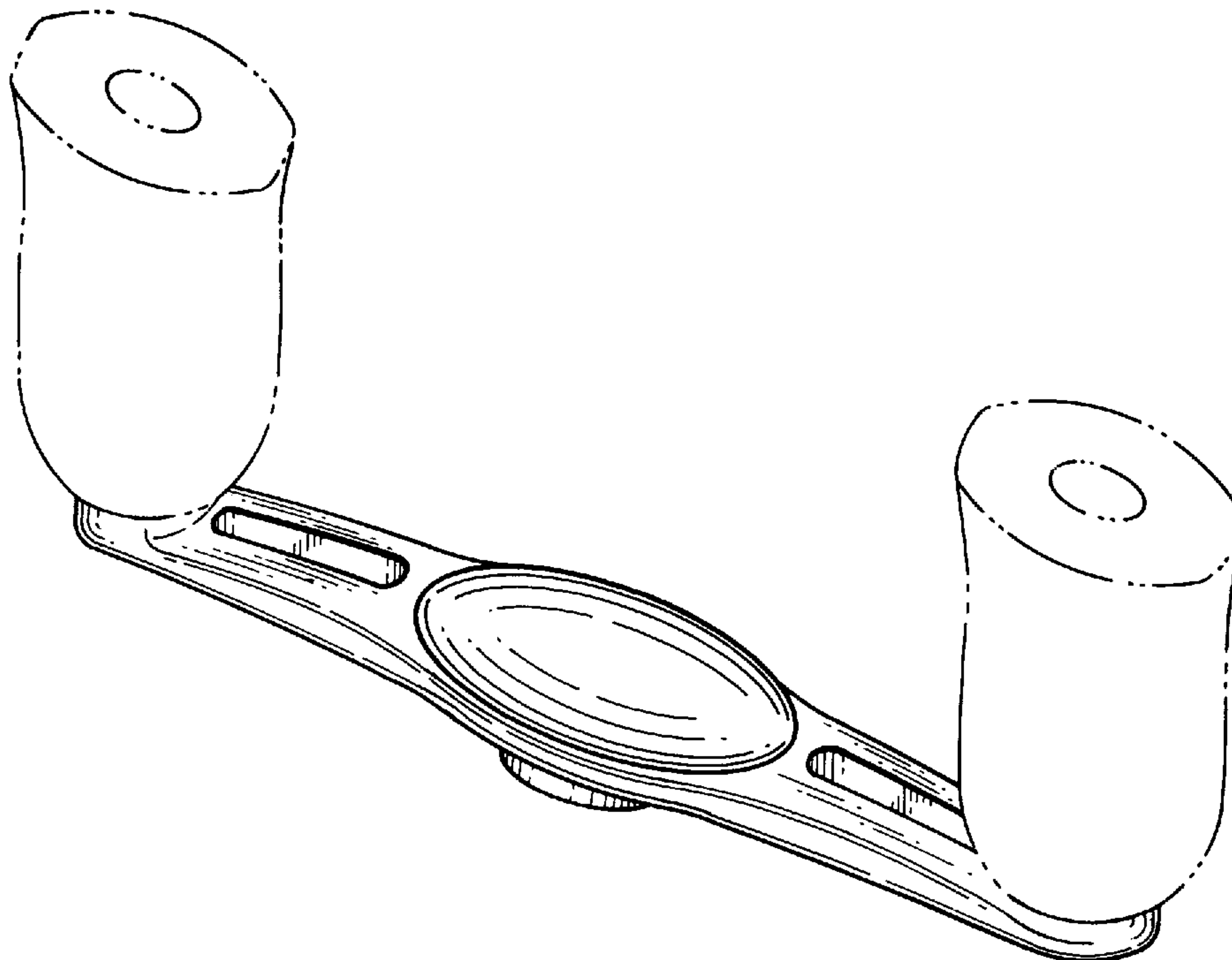


Fig. 1

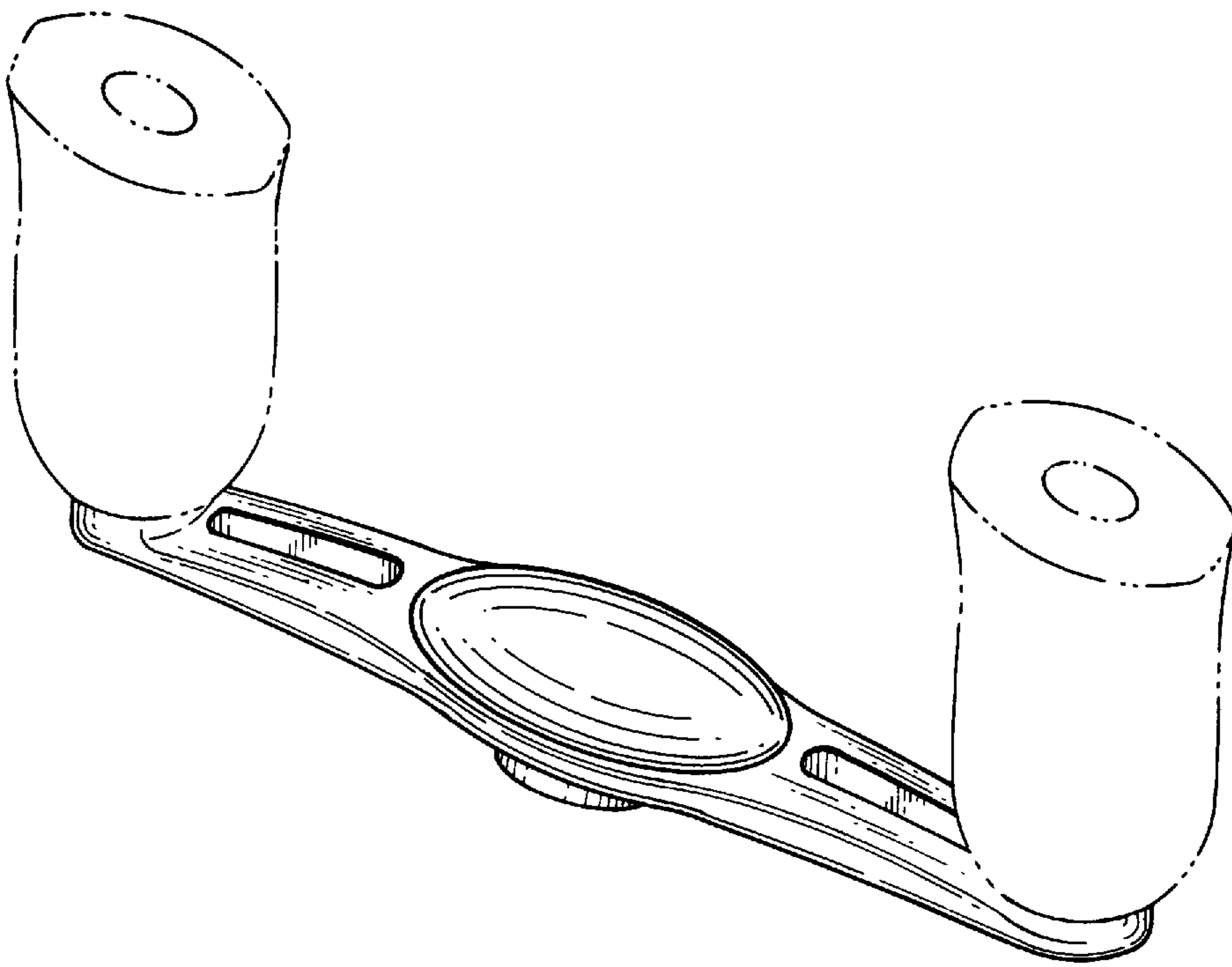


Fig. 2

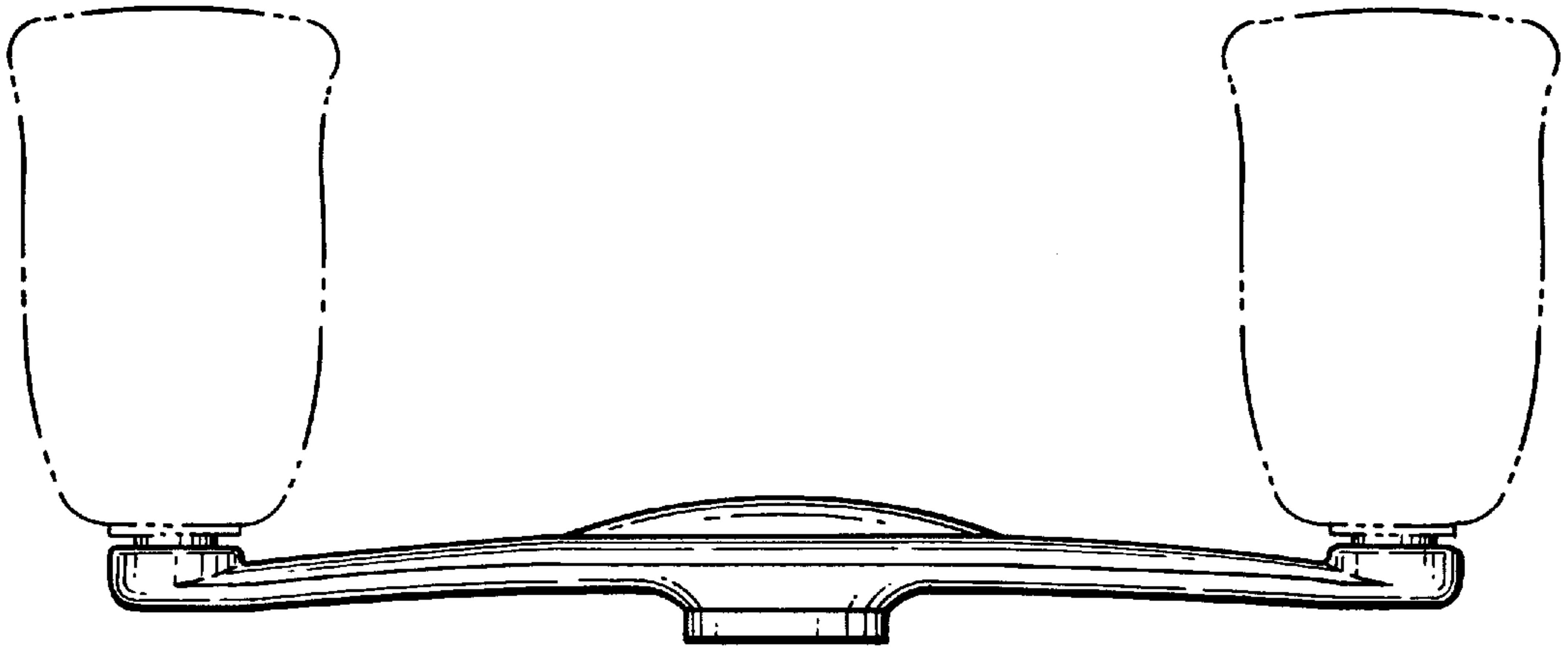


Fig. 3

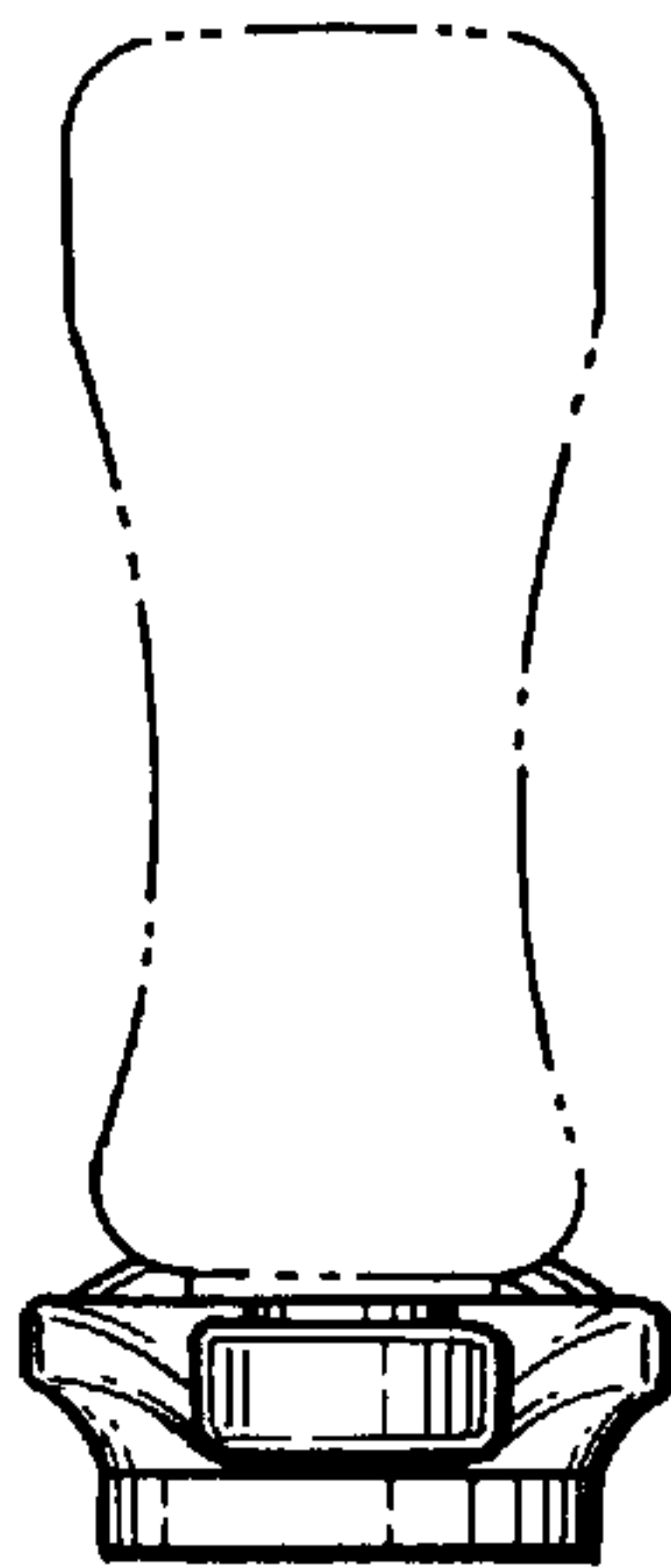


Fig. 4

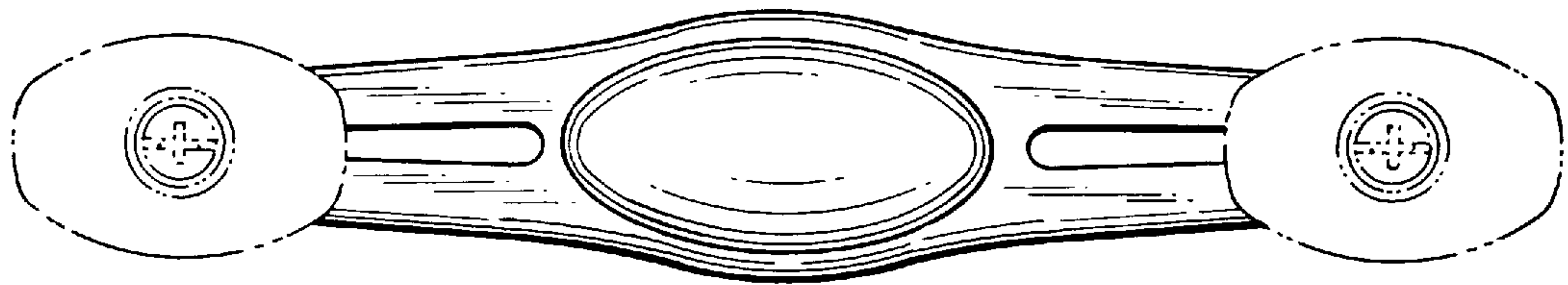


Fig. 5

