

US00D402729S

United States Patent [19] Degenhardt

[11] **Patent Number: Des. 402,729**

[45] **Date of Patent: **Dec. 15, 1998**

[54] **GOLF BALL RETRIEVER**

Primary Examiner—Ted Shooman
Assistant Examiner—Mitchell I. Siegel

[76] **Inventor: Austin Carl Degenhardt, 18 Berezowsky Dr., Prince Albert, Saskatchewan, Canada, S6V 6M5**

[57] **CLAIM**

[**] **Term: 14 Years**

The ornamental design for a golf ball retriever, as shown and described.

[21] **Appl. No.: 81,474**

DESCRIPTION

[22] **Filed: Jan. 2, 1998**

[51] **LOC (6) Cl. 21-02**

[52] **U.S. Cl. D21/791**

[58] **Field of Search D21/721, 733, D21/753, 759, 789; 473/282, 286; 294/19.1, 19.2**

FIG. 1 is a front elevational view of the golf ball retriever showing my new design;

FIG. 2 is a rear elevational view thereof;

FIG. 3 is a right side view thereof;

FIG. 4 is a left side view thereof;

FIG. 5 is a top plan view thereof;

FIG. 6 is a bottom plan view thereof; and,

FIG. 7 is a cross-sectional view taken vertically through the mid-plane of the device at line 7—7 of FIG. 5.

The broken away portion of the handle in FIGS. 1—4 and 7 is to indeterminate length.

[56] **References Cited**

U.S. PATENT DOCUMENTS

D. 195,629	7/1963	Borah	D21/791
D. 239,639	4/1976	Clarke	D21/791
D. 350,579	9/1994	Lee	D21/791
D. 380,025	6/1997	Digerness et al.	D21/791
1,987,828	12/1935	MacDonald	294/19.2
2,551,486	5/1951	Burden	294/19.2

OTHER PUBLICATIONS

GolfSmith; p. 24; Golf ball retrievers on left side of page, Apr. 1992.

GolfSmith; p. 25; "Swing Groover", bottom center of page, Dec. 1993.

1 Claim, 3 Drawing Sheets

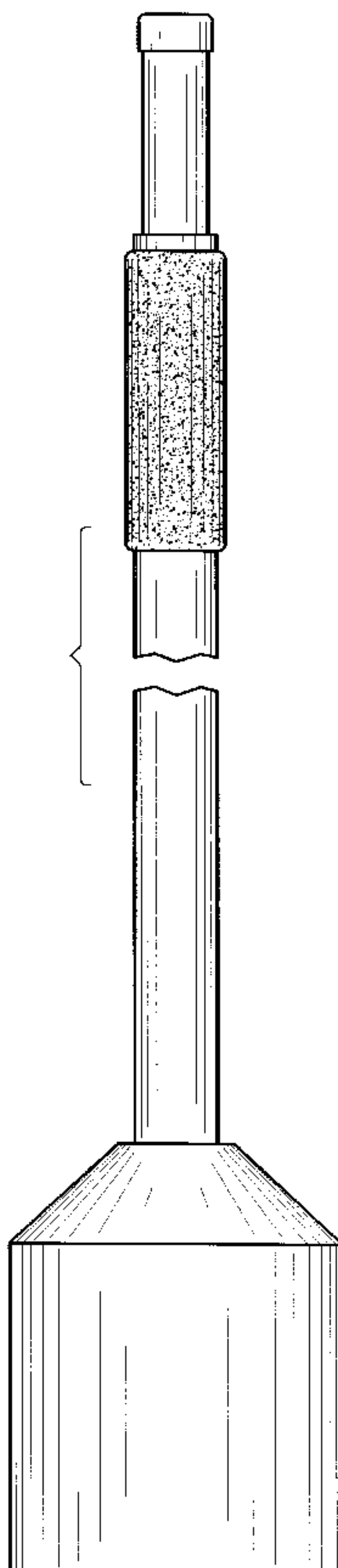


FIG. 1

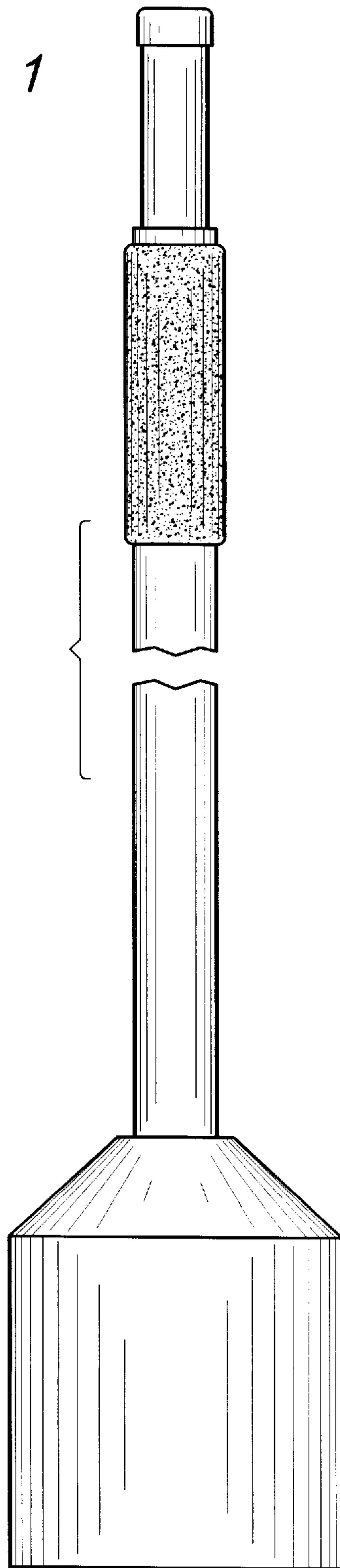


FIG. 2

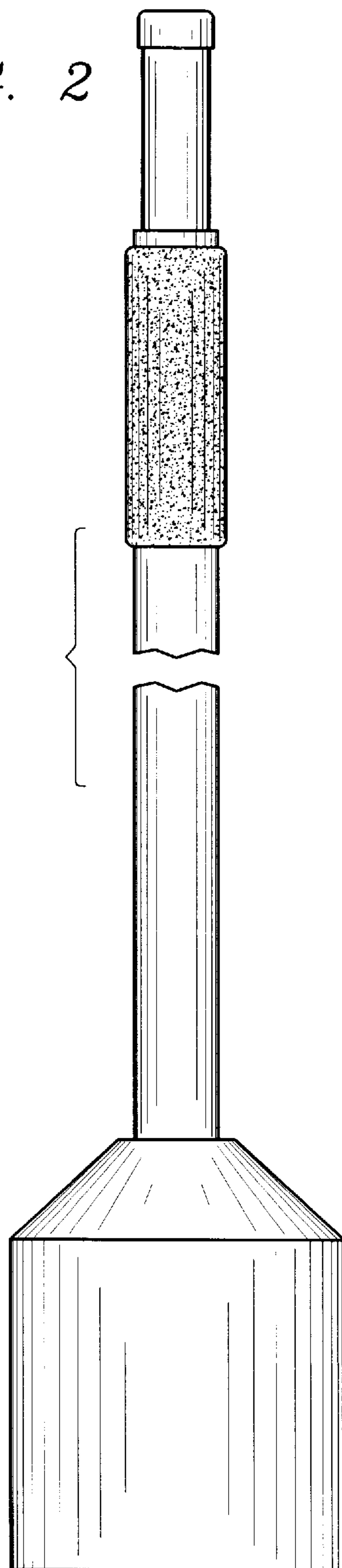


FIG. 3

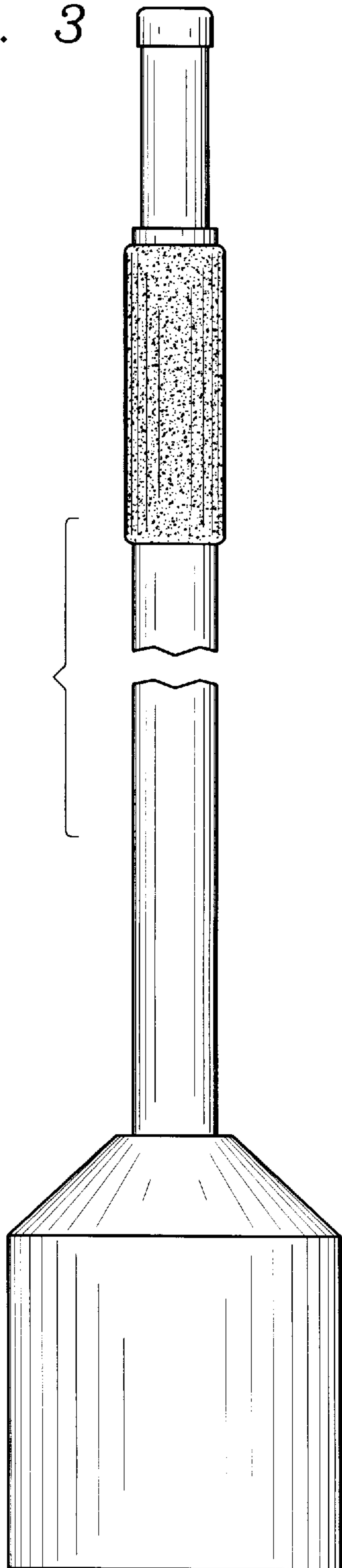


FIG. 4

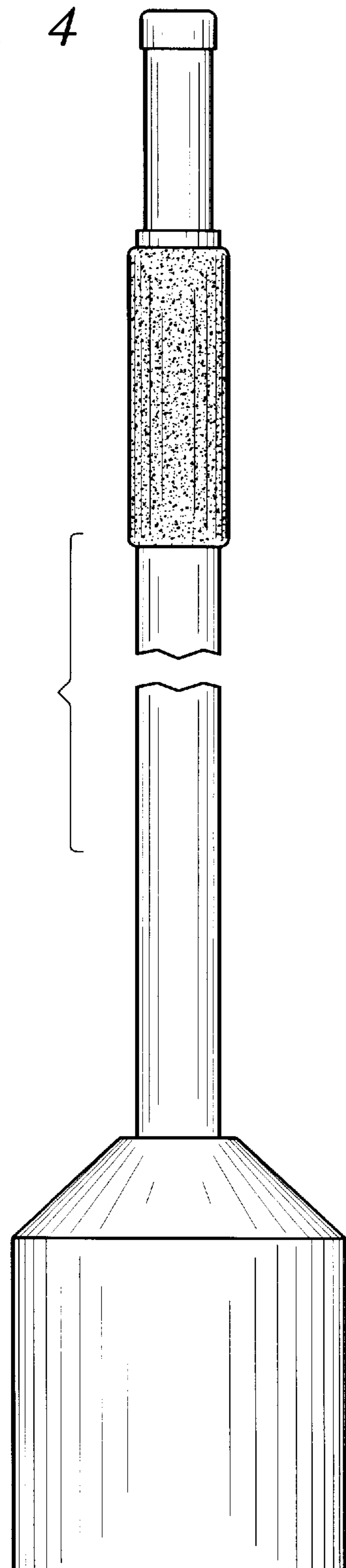


FIG. 5

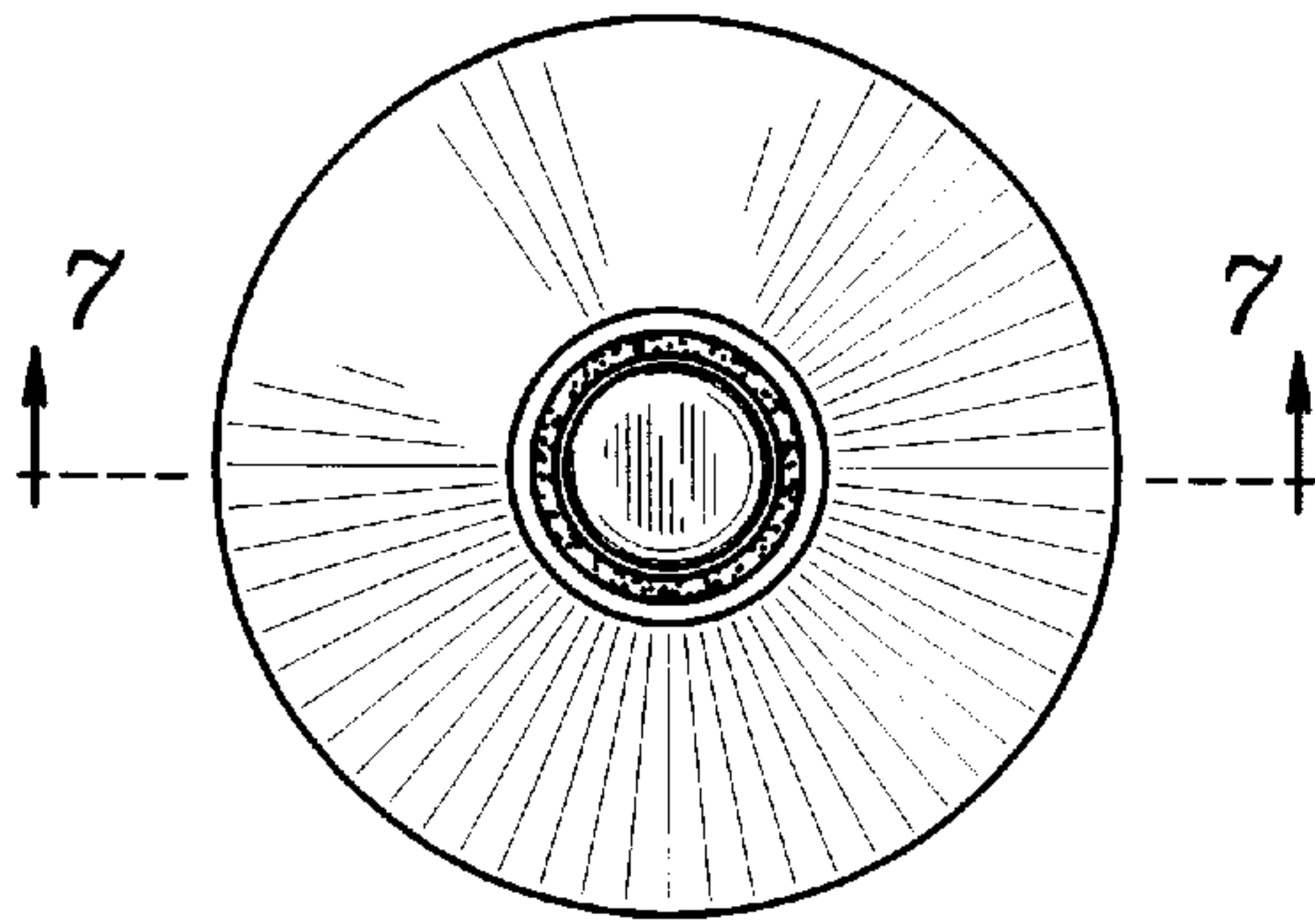


FIG. 6

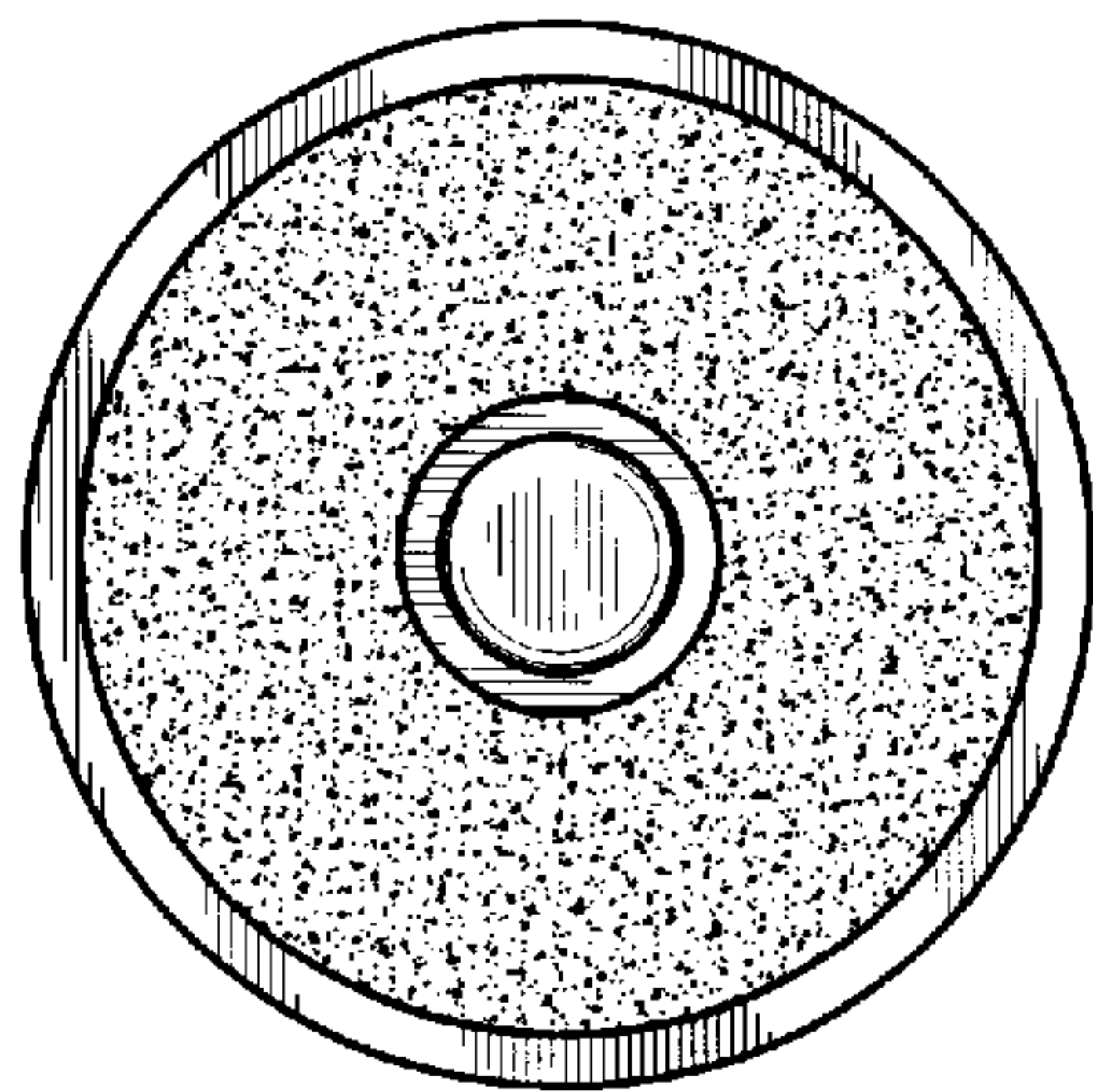


FIG. 7

