



US00D402726S

United States Patent [19]
McCabe et al.

[11] **Patent Number: Des. 402,726**
[45] **Date of Patent: **Dec. 15, 1998**

[54] **SOLE OF A GOLF CLUB HEAD**

[75] Inventors: **Terrill R. McCabe; Donald Dean Anton**, both of Carlsbad; **Scott Allen Knutson**, El Cajon, all of Calif.

[73] Assignee: **Acushnet Company**, Fairhaven, Mass.

[**] Term: **14 Years**

[21] Appl. No.: **75,360**

[22] Filed: **Jun. 24, 1997**

[51] **LOC (6) Cl.** **21-02**

[52] **U.S. Cl.** **D21/753; D21/733**

[58] **Field of Search** **D21/214, 222; 473/324, 327, 328, 345, 346**

[56] **References Cited**

U.S. PATENT DOCUMENTS

D. 343,434	1/1994	Helmstetter et al.	D21/214
D. 343,665	1/1994	Feche et al. .	
D. 344,117	2/1994	Helmstetter et al. .	
D. 344,998	3/1994	Greene .	
D. 350,176	8/1994	Antonious .	
D. 351,441	10/1994	Iinuma .	
D. 352,538	11/1994	Williams, Jr. .	
D. 355,686	2/1995	Hlinka .	
D. 357,290	4/1995	Viollaz et al. .	
D. 361,356	8/1995	Feche .	
D. 363,750	10/1995	Reed .	
D. 364,204	11/1995	Lin .	
D. 365,129	12/1995	Guibaud et al. .	
D. 366,079	1/1996	Kenmi .	
D. 366,684	1/1996	Lin .	

OTHER PUBLICATIONS

Choice, Nov. 1992, p. 231, Daiwa Combo wood.
Golf Magazine, May 1994, pp. 6-7, Callaway War Bird Soleplate.
Golf Magazine, May 1994, p. 22, Nicklaus metal wood.
Choice, Sep. 1994, p. 98, L'cd Supremo.

Choice, Jan. 1995, p. 82, Exac Trak metal wood.
Choice, Jan. 1995, p. 82, Premeir metal wood.
Choice, Jan. 1995, p. 192, Yamaha metal wood.
Choice, Jan. 1995, p. 195, Joy metal wood.
Golf Digest, Apr. 1995, p. 170, Maxfli VHL.
Petersen's Golfing, Mar. 1996, p. 13, Javelinblue.
Petersen's Golfing, Mar. 1996, p. 54, Spaulding Top-Flite Intimidator.
Golf Gear, 1996, p. 23, Wilson Wale metal wood.
Golf Gear, 1996, p. 27, Yamaha metal wood.
Golf Gear, 1996, p. 47, Honma Big-LB metal wood.
Golf Gear, 1996, p. 78, Ram FX metal wood.
Golf Gear, 1996, p. 78, Aries metal wood.
Golf Gear, 1996, p. 79, Goldwin AVDP metal wood.
GSO, Sep. 1996, Zevo golf club.

Primary Examiner—Philip S. Hyder
Assistant Examiner—Mitchell I. Siegel
Attorney, Agent, or Firm—Pennie & Edmonds LLP

[57] **CLAIM**

The ornamental design for a sole of a golf club head, as shown and described.

DESCRIPTION

FIG. 1 is a perspective view of a sole of a golf club head showing our new design;
FIG. 2 is a left side view thereof;
FIG. 3 is a back view thereof;
FIG. 4 is a right side view thereof;
FIG. 5 is a bottom view thereof;
FIG. 6 is a perspective view of the second embodiment thereof;
FIG. 7 is a left side view of the second embodiment thereof;
FIG. 8 is a back view of the second embodiment thereof;
FIG. 9 is a right side view of the second embodiment thereof; and,
FIG. 10 is a bottom view of the second embodiment thereof.
The broken lines showing the golf club head are for illustrative purposes only and form no part of the claimed design.

1 Claim, 6 Drawing Sheets

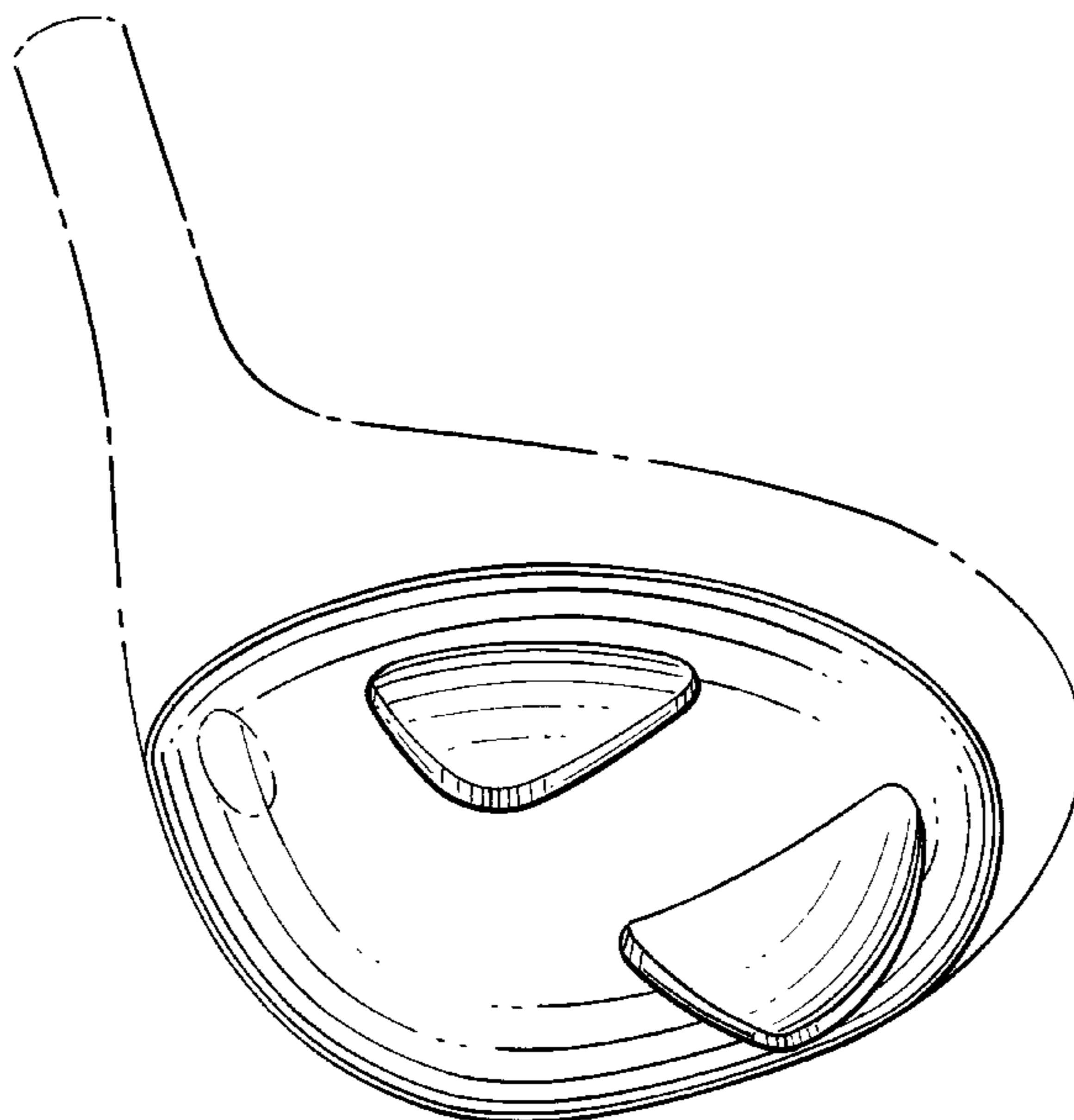


FIG. 1

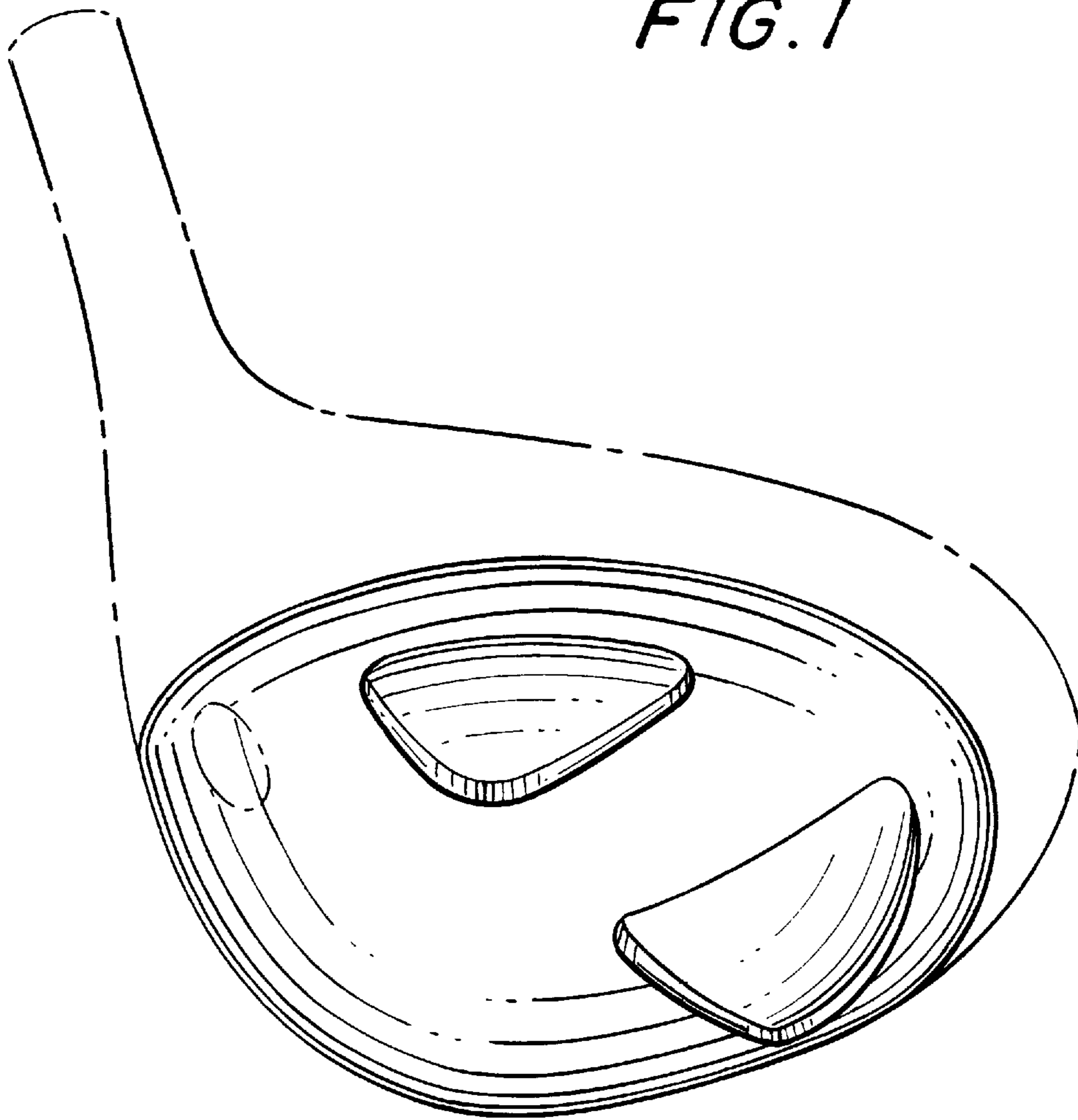


FIG. 3

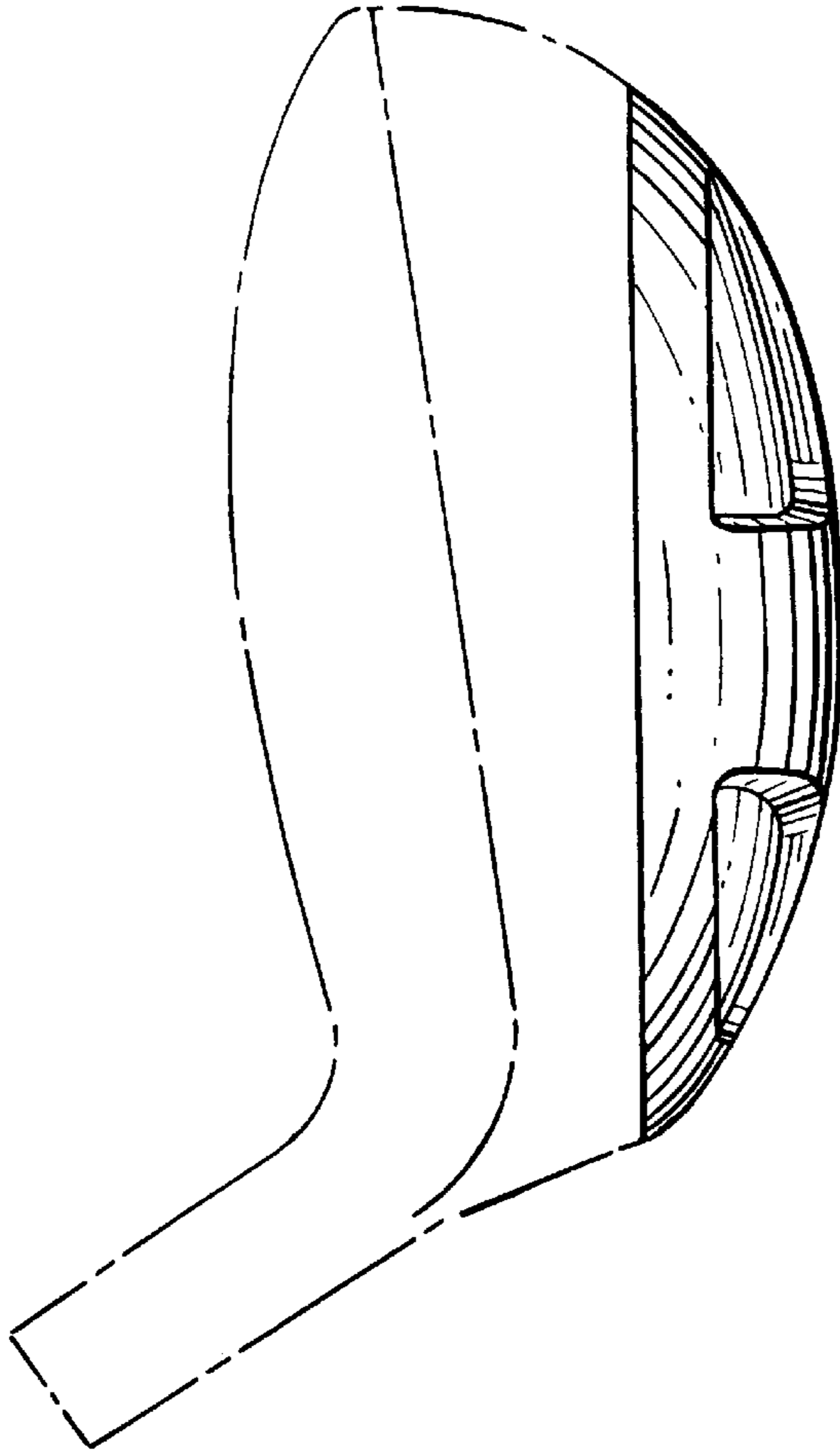
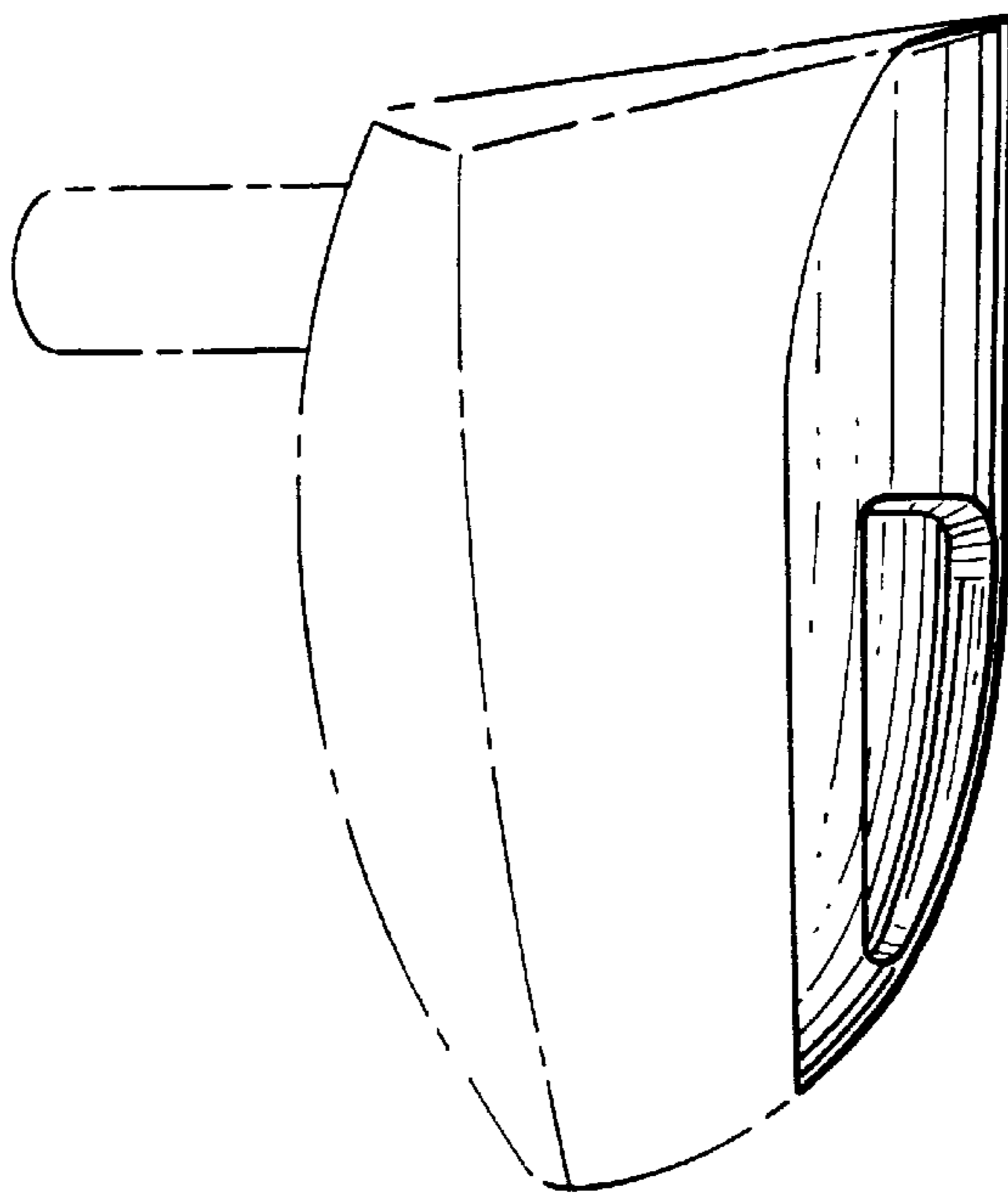
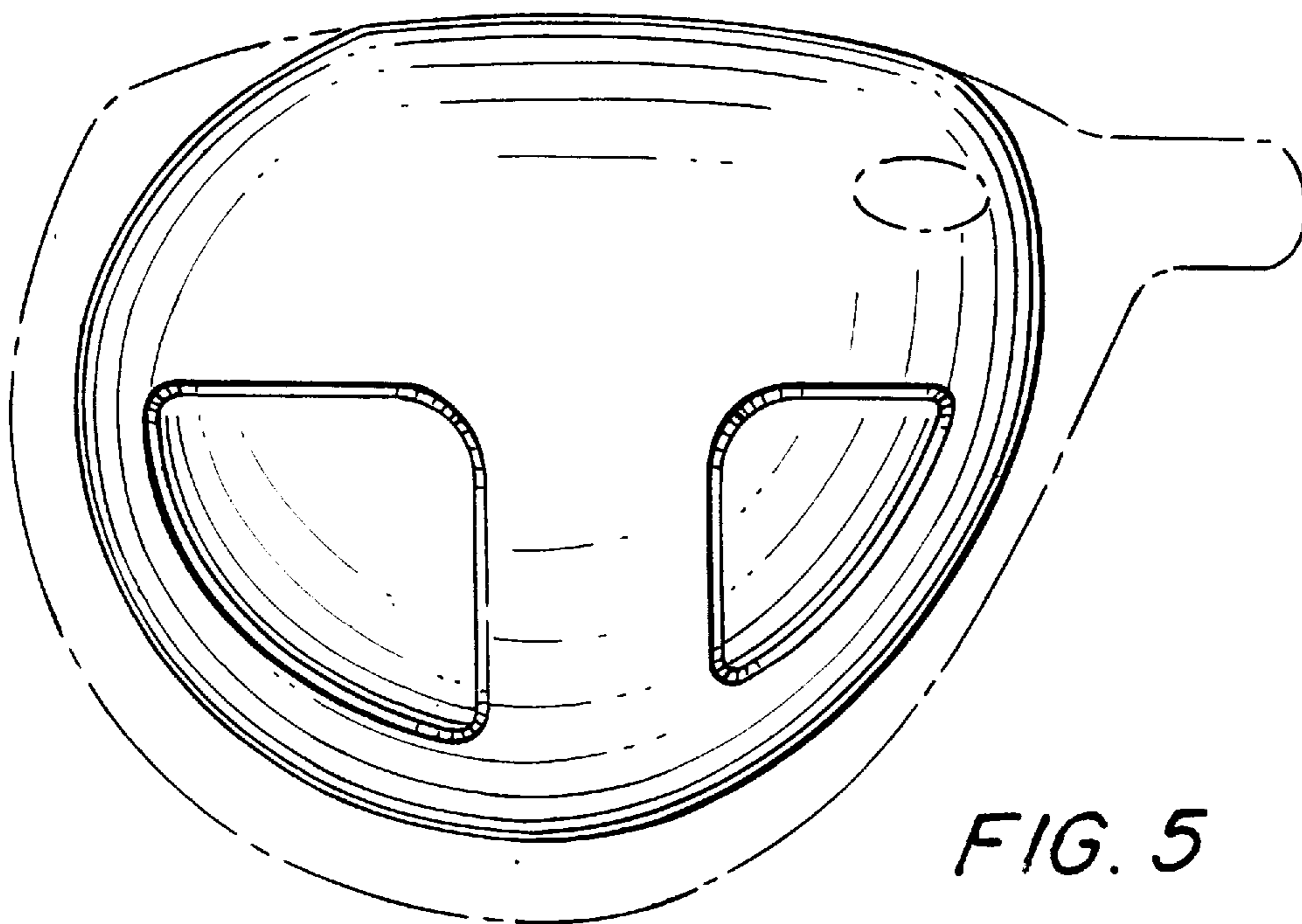
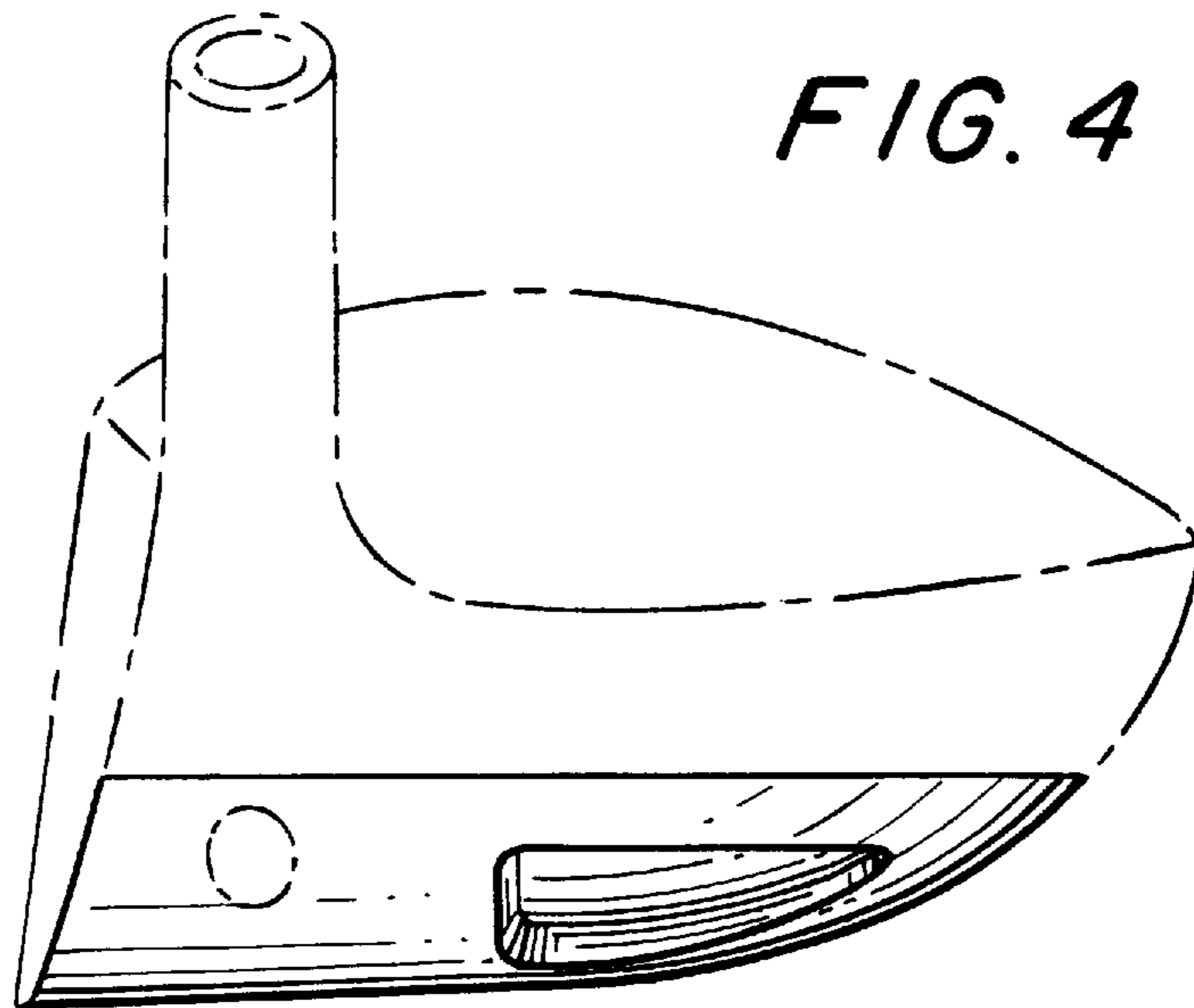


FIG. 2





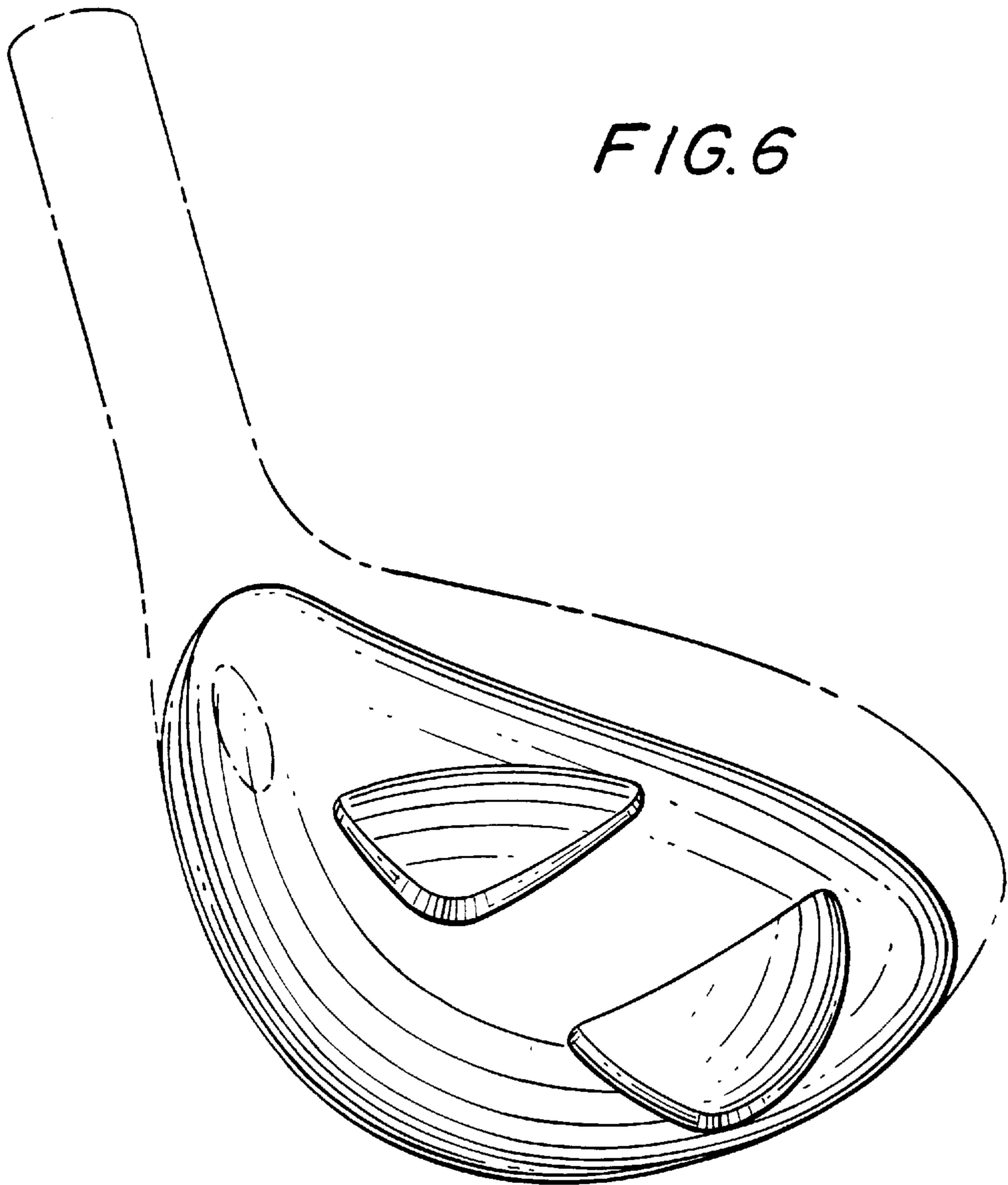


FIG. 8

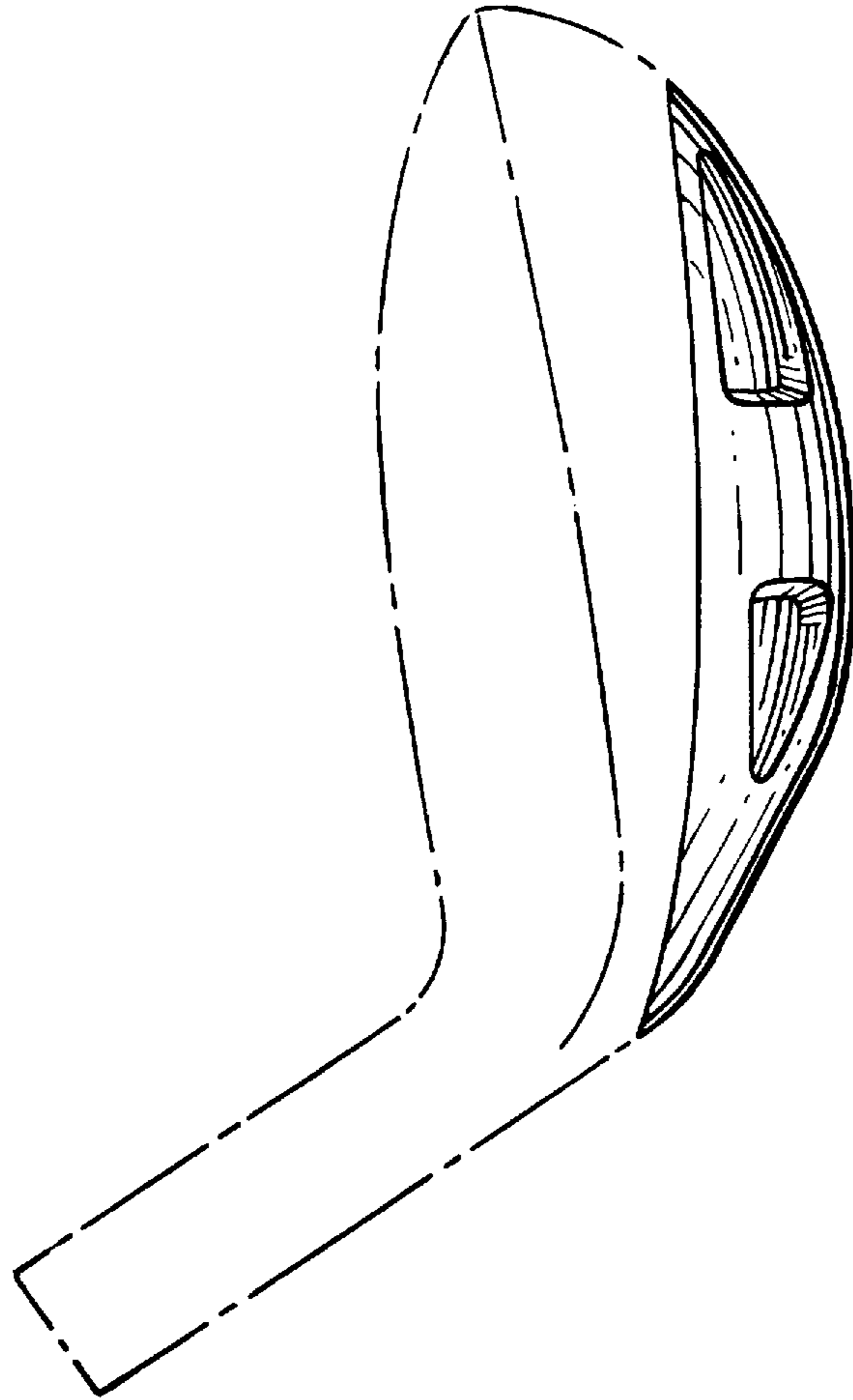


FIG. 7

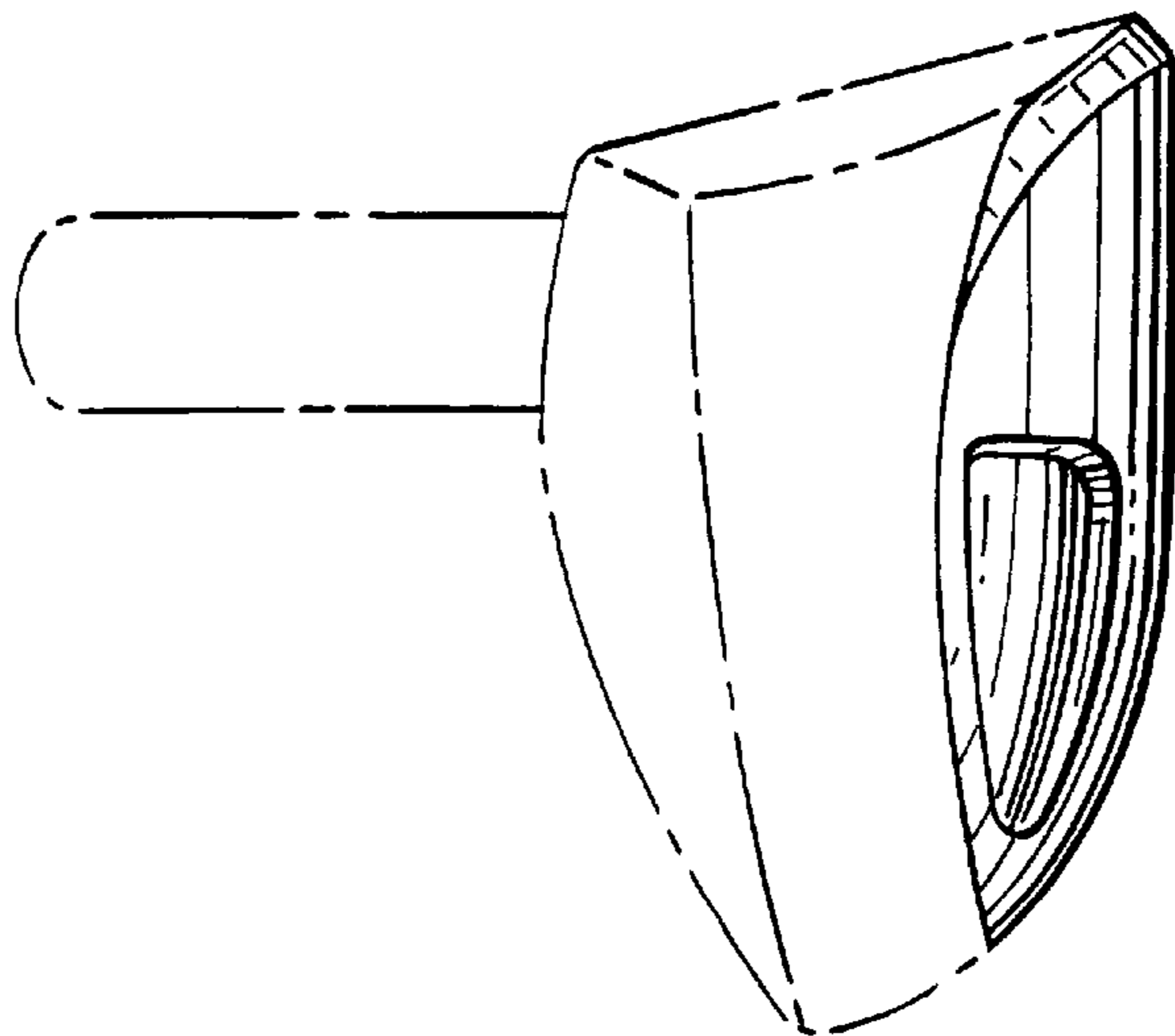


FIG. 9

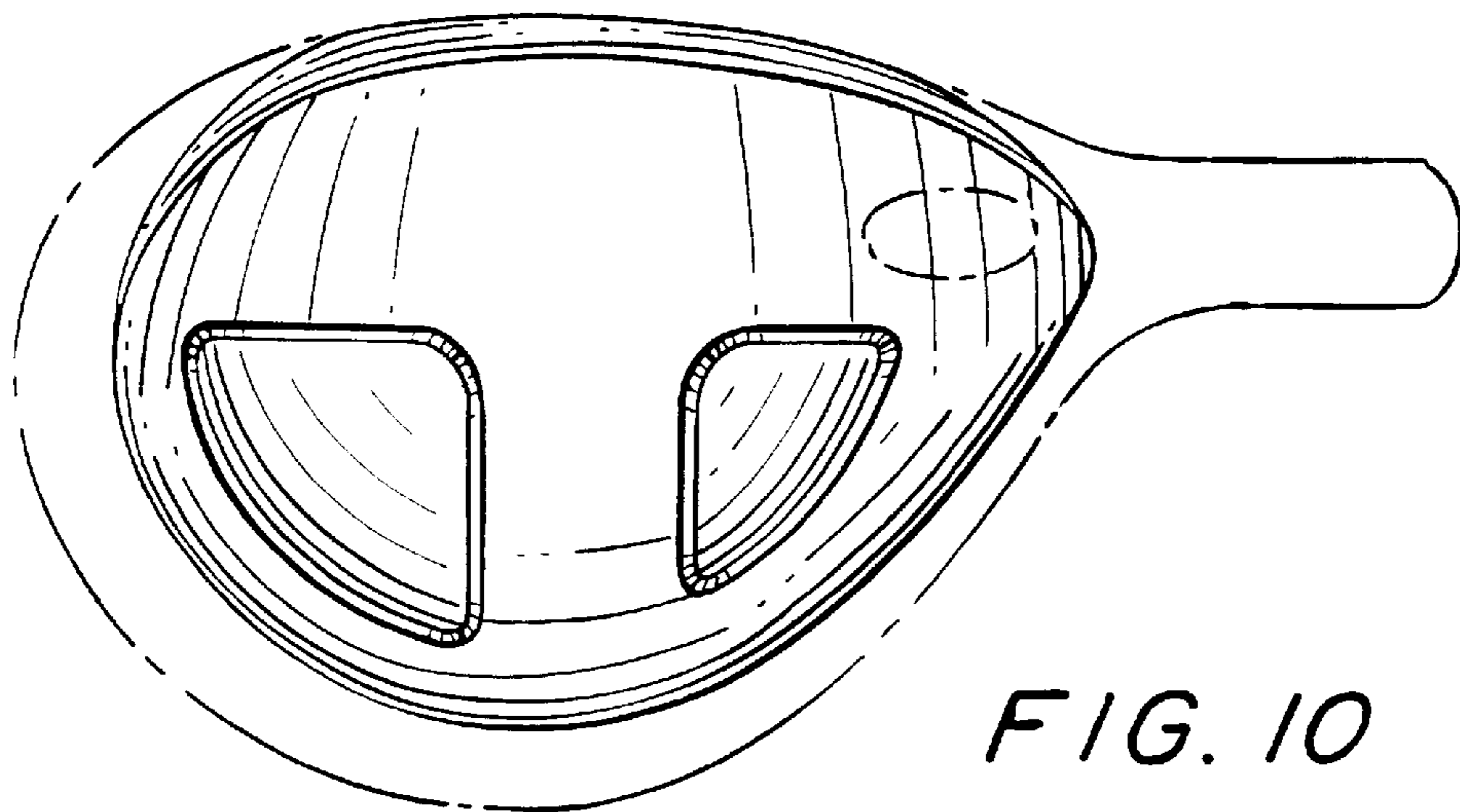
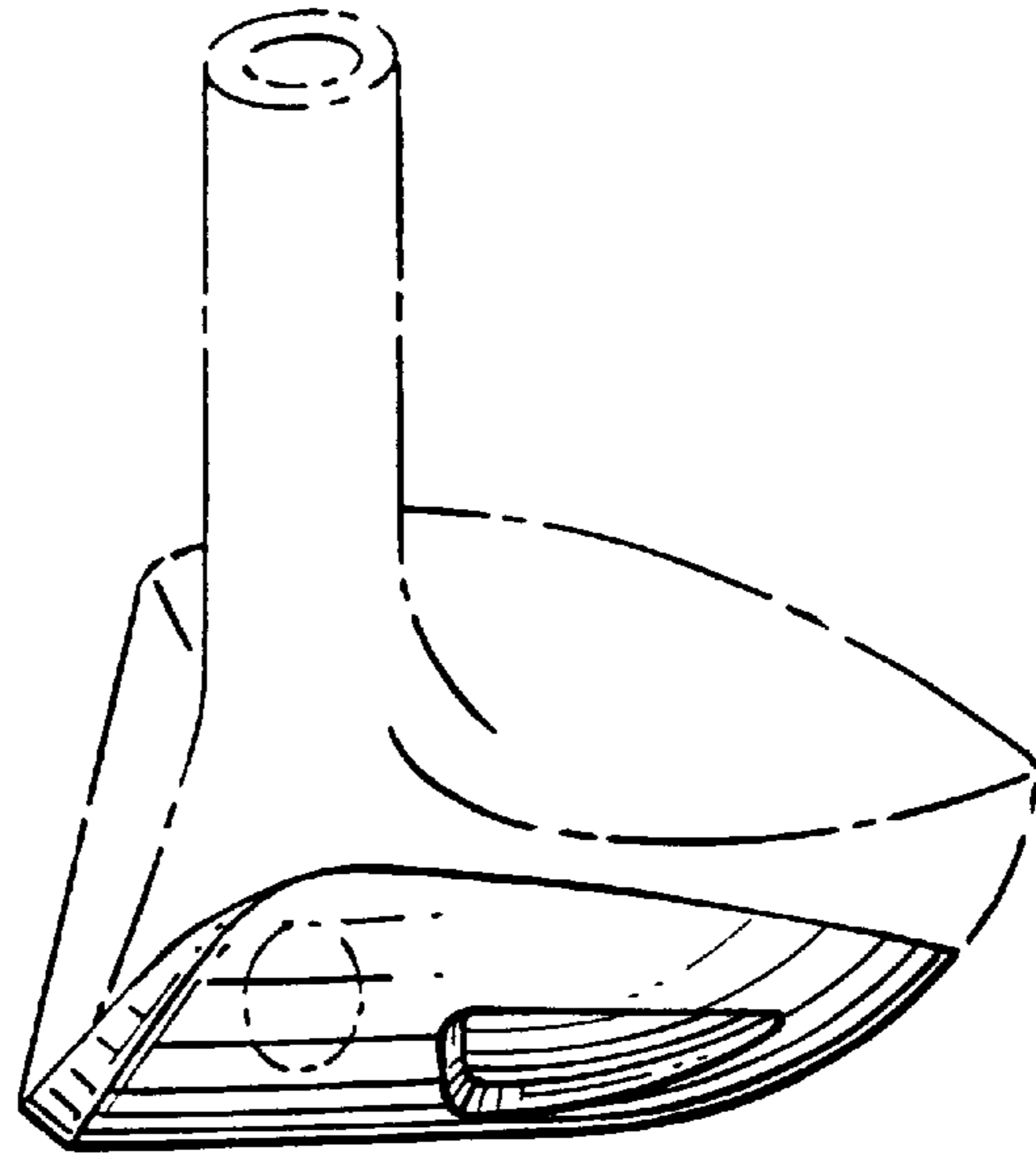


FIG. 10