



US00D402723S

United States Patent [19]

Goin et al.

[11] **Patent Number: Des. 402,723**

[45] **Date of Patent: **Dec. 15, 1998**

[54] **PUTTER HEAD**

D. 368,944 4/1996 Stites D21/217

[75] Inventors: **Luther Goin; Randy Hogan; James Fryman**, all of Albany, Oreg.

Primary Examiner—Terry A. Wallace
Assistant Examiner—Mitchell I. Siegel
Attorney, Agent, or Firm—Chernoff, Vilhauer, McClung & Stenzel, LLP

[73] Assignee: **Titanium Touch, LLC**, Albany, Oreg.

[**] Term: **14 Years**

[57] **CLAIM**

[21] Appl. No.: **81,857**

The ornamental design for a putter head, as shown and described.

[22] Filed: **Jan. 9, 1998**

DESCRIPTION

[51] **LOC (6) Cl.** **21-02**

[52] **U.S. Cl.** **D21/742**

[58] **Field of Search** D21/217-219;
473/324, 327, 340, 341, 251-256

FIG. 1 is a perspective view;
FIG. 2 is a top view;
FIG. 3 is a front view;
FIG. 4 is a bottom view;
FIG. 5 is a back view; and,
FIG. 6 is an end view.

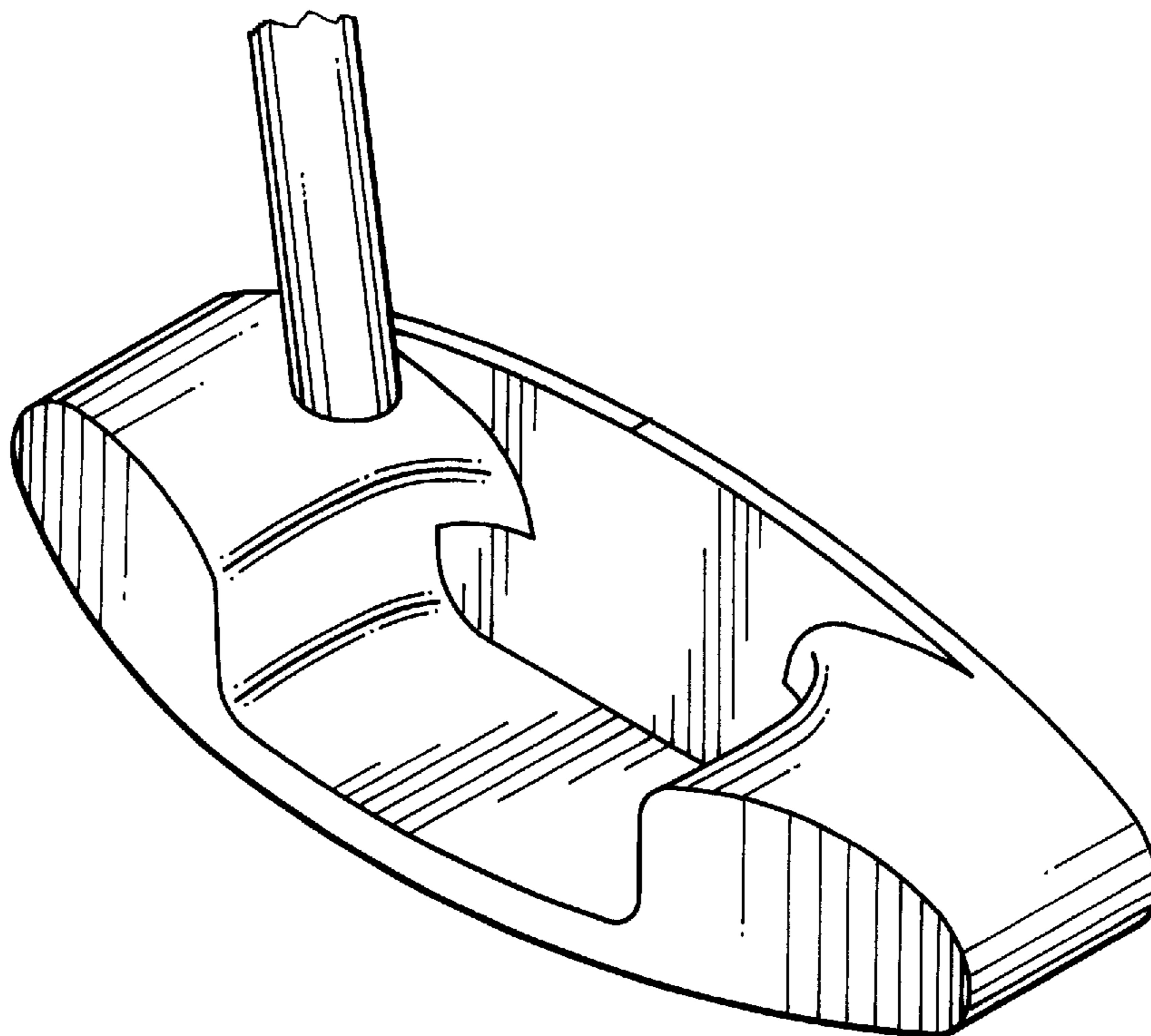
[56] **References Cited**

U.S. PATENT DOCUMENTS

- D. 306,630 3/1990 Dinte et al. D21/219
- D. 322,829 12/1991 Antonious D21/219
- D. 356,847 3/1995 Woodruff D21/219

The broken line showing of a fragmented shaft on FIG. 1 is for illustrative purposes only and forms no part of the claimed design.

1 Claim, 1 Drawing Sheet



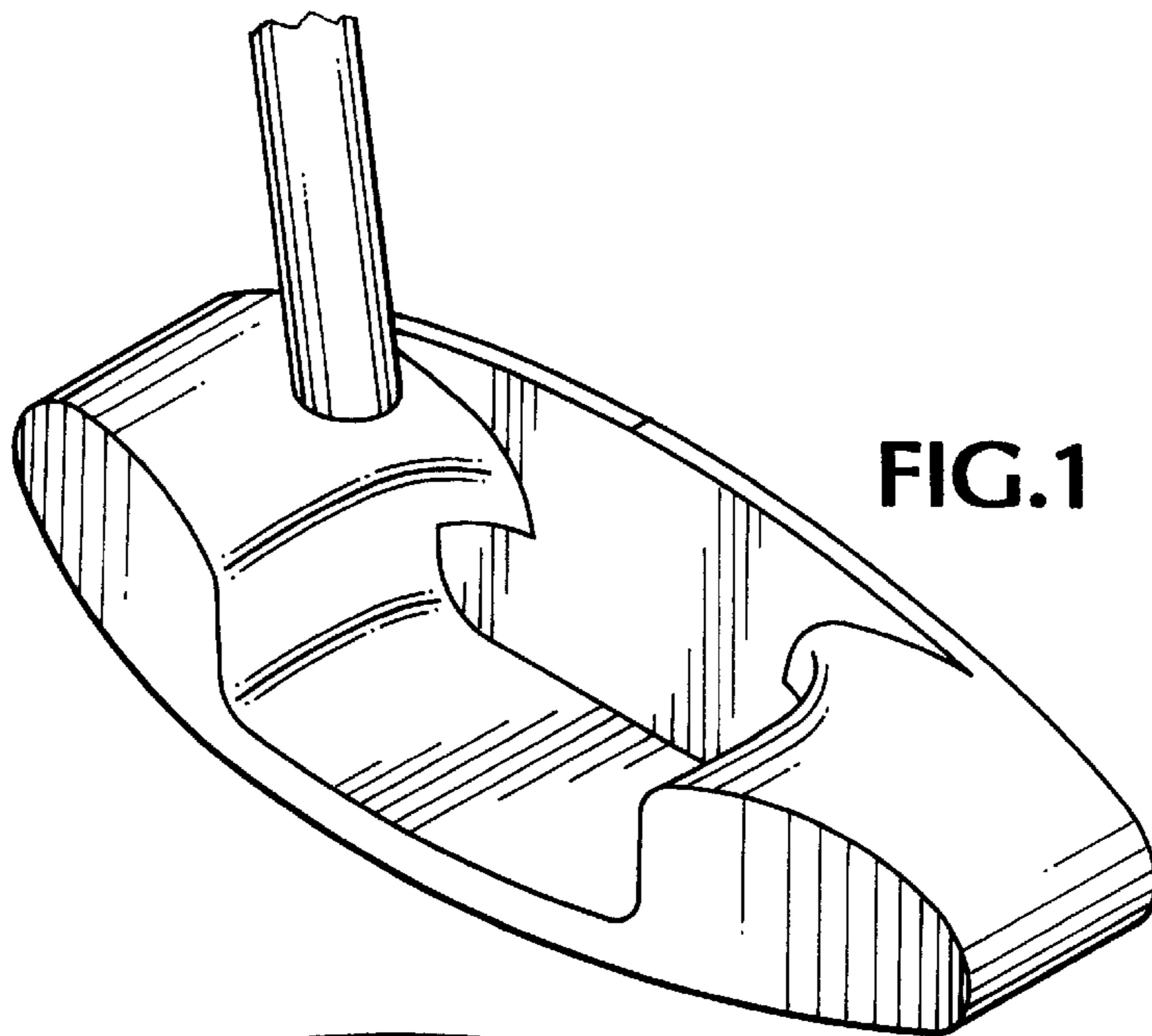


FIG. 1

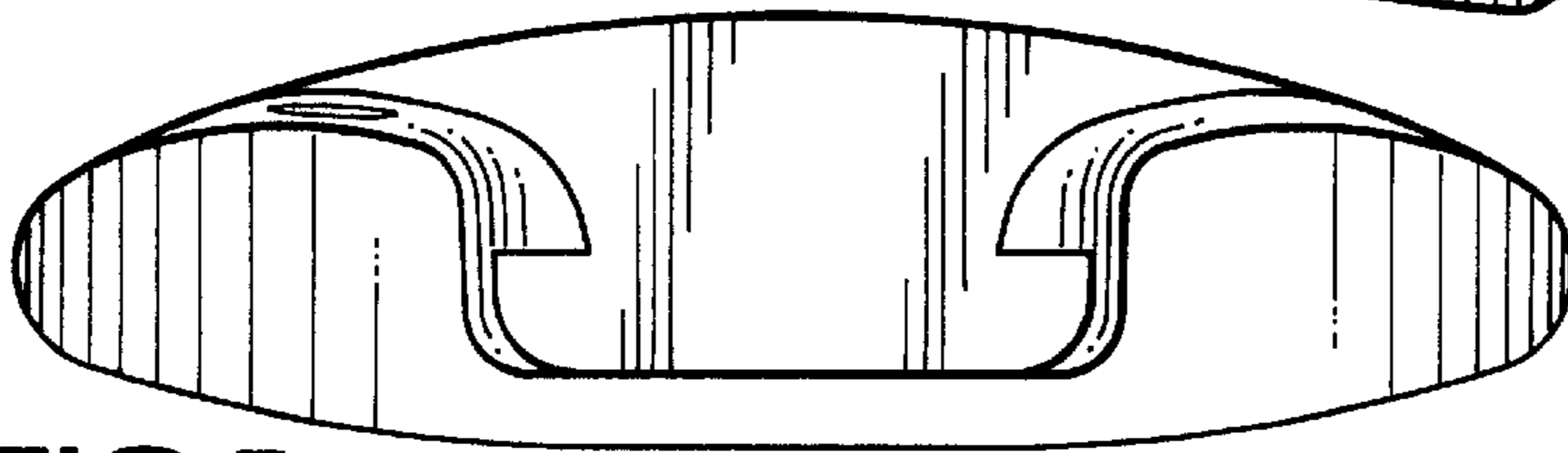


FIG. 5

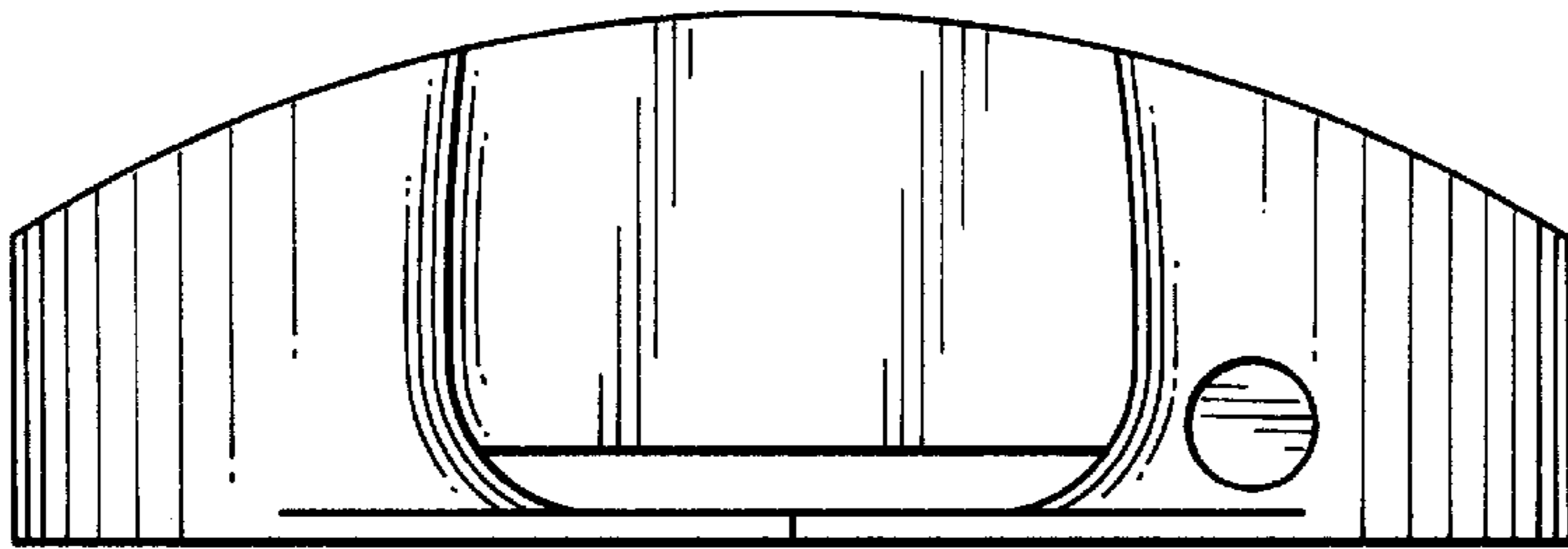


FIG. 2

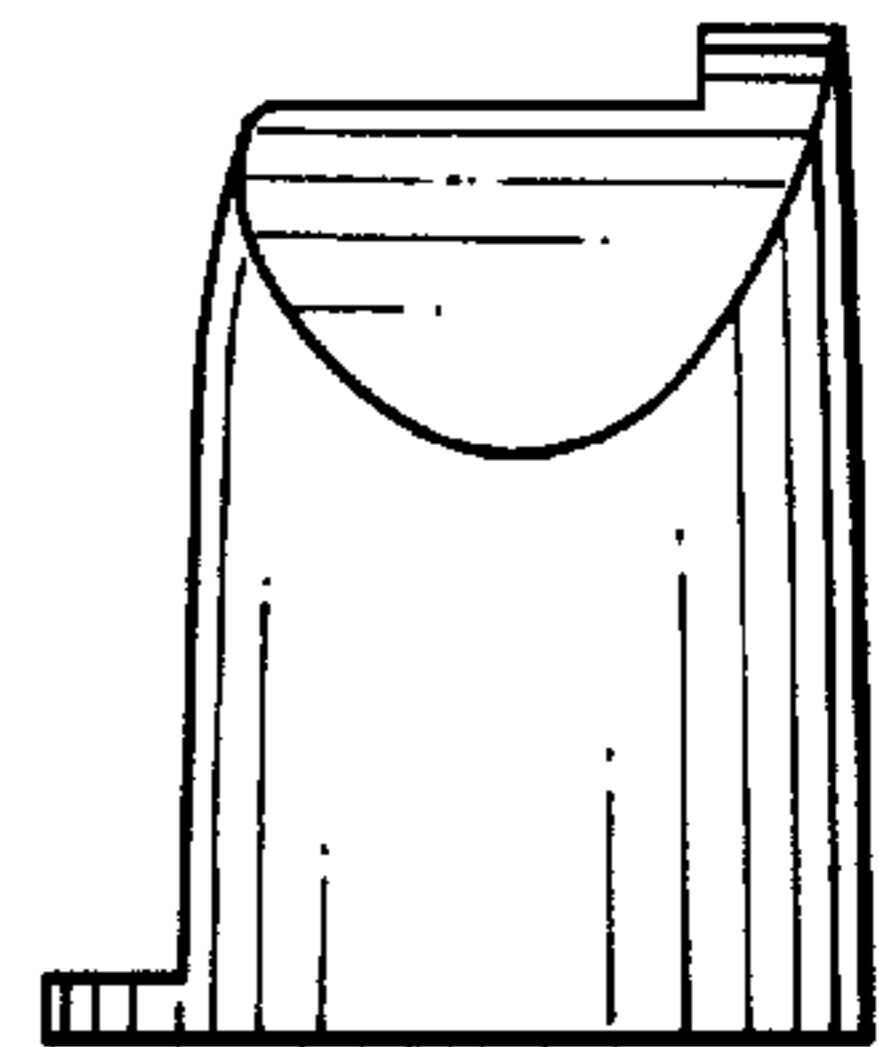


FIG. 6

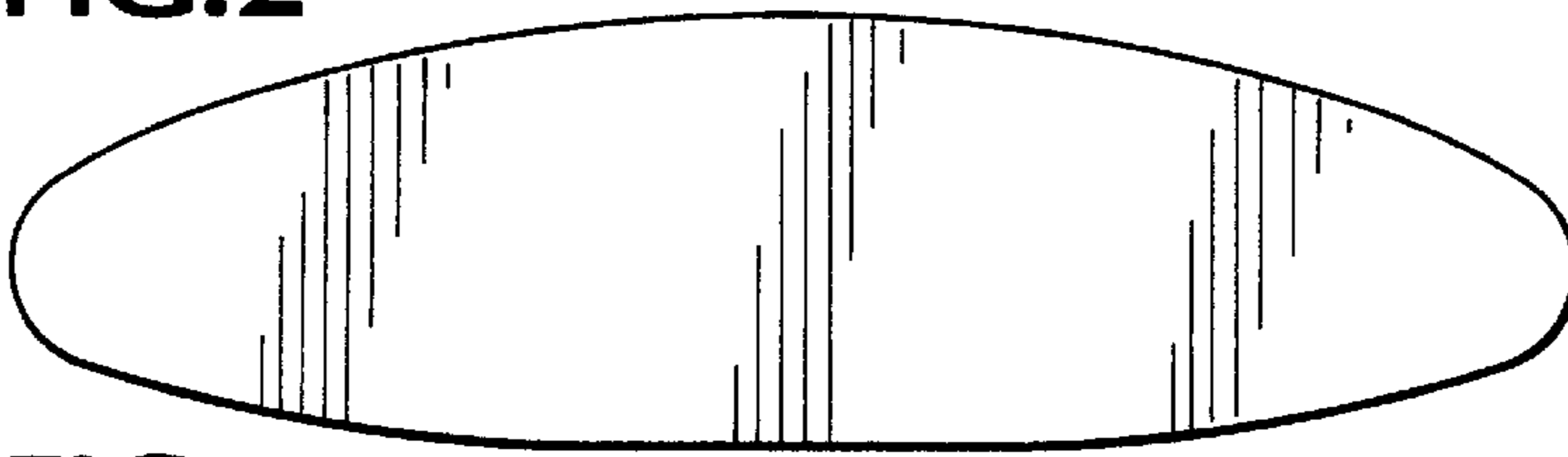


FIG. 3

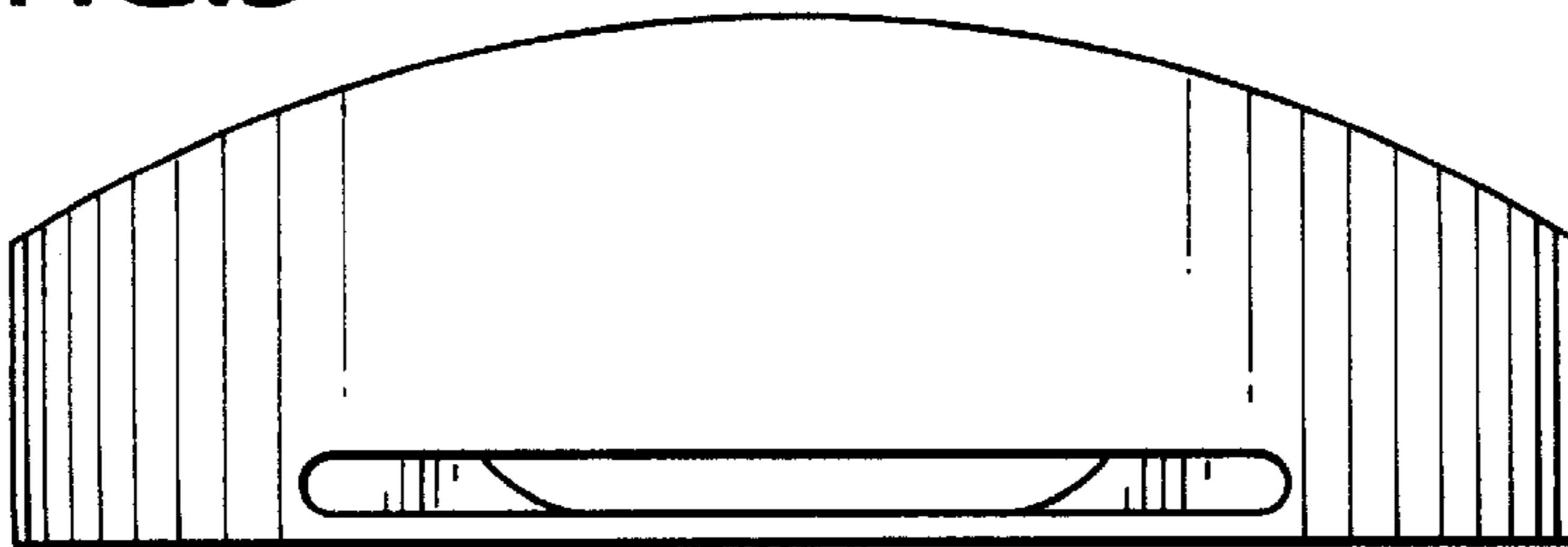


FIG. 4