



US00D402718S

United States Patent [19]

Roach et al.

[11] **Patent Number: Des. 402,718**

[45] **Date of Patent: **Dec. 15, 1998**

[54] **BASKETBALL RETURN DEVICE**

4,836,539 6/1989 Knapp 473/433
5,419,549 5/1995 Galloway et al. 473/431

[76] Inventors: **Walter L Roach; Carolyn J Roach,**
both of 1085 Joe Jackson Trail P.O. Box
1218, Halifax, Va. 24558

Primary Examiner—Ted Shooman
Assistant Examiner—Richelle Shelton

[**] Term: **14 Years**

[57] **CLAIM**

[21] Appl. No.: **84,582**

The ornamental design for a basketball return device, as shown.

[22] Filed: **Mar. 5, 1998**

DESCRIPTION

[51] **LOC (6) Cl.** **21-02**

[52] **U.S. Cl.** **D21/704**

[58] **Field of Search** D21/199-201;
273/127 C, 348, 396, 397, 398, 402; 434/248;
473/431-435, 447-449; D7/512; D24/121;
D25/199

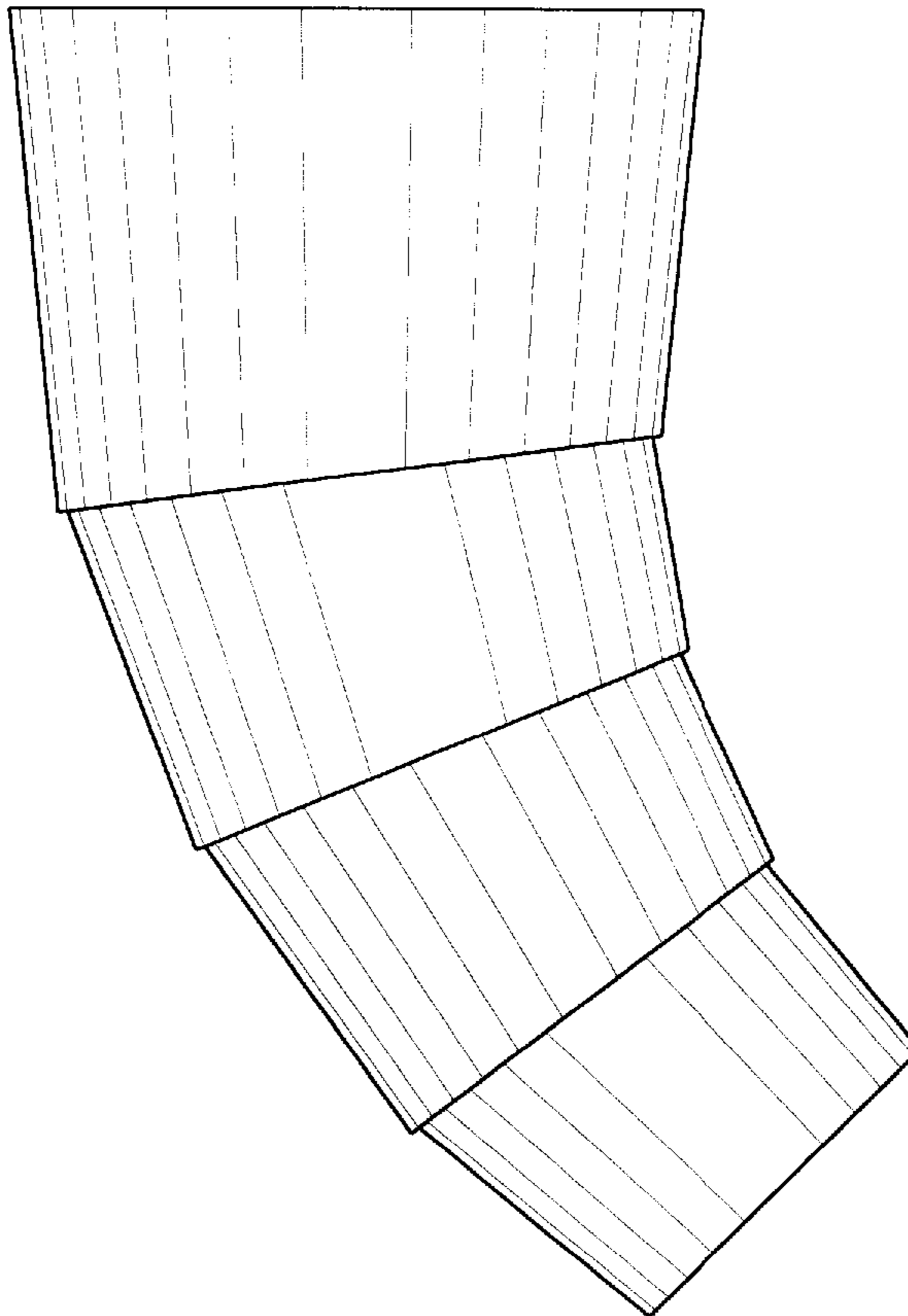
FIG. 1 is a front elevational view of the basketball return device of the present invention;
FIG. 2 is a back elevational view of the basketball return device of FIG. 1;
FIG. 3 is a left side elevational view of the basketball return device of FIG. 1;
FIG. 4 is a right side elevational view of the basketball return device of FIG. 1;
FIG. 5 is a top plan view of the basketball return device of FIG. 1; and,
FIG. 6 is a bottom plan view of the basketball return device of FIG. 1.

[56] **References Cited**

U.S. PATENT DOCUMENTS

D. 388,850	1/1998	Ranger	D21/206
2,880,902	4/1959	Owsen	D7/512 X
3,233,896	2/1966	King	473/433
3,814,421	6/1974	Spier	473/433

1 Claim, 3 Drawing Sheets



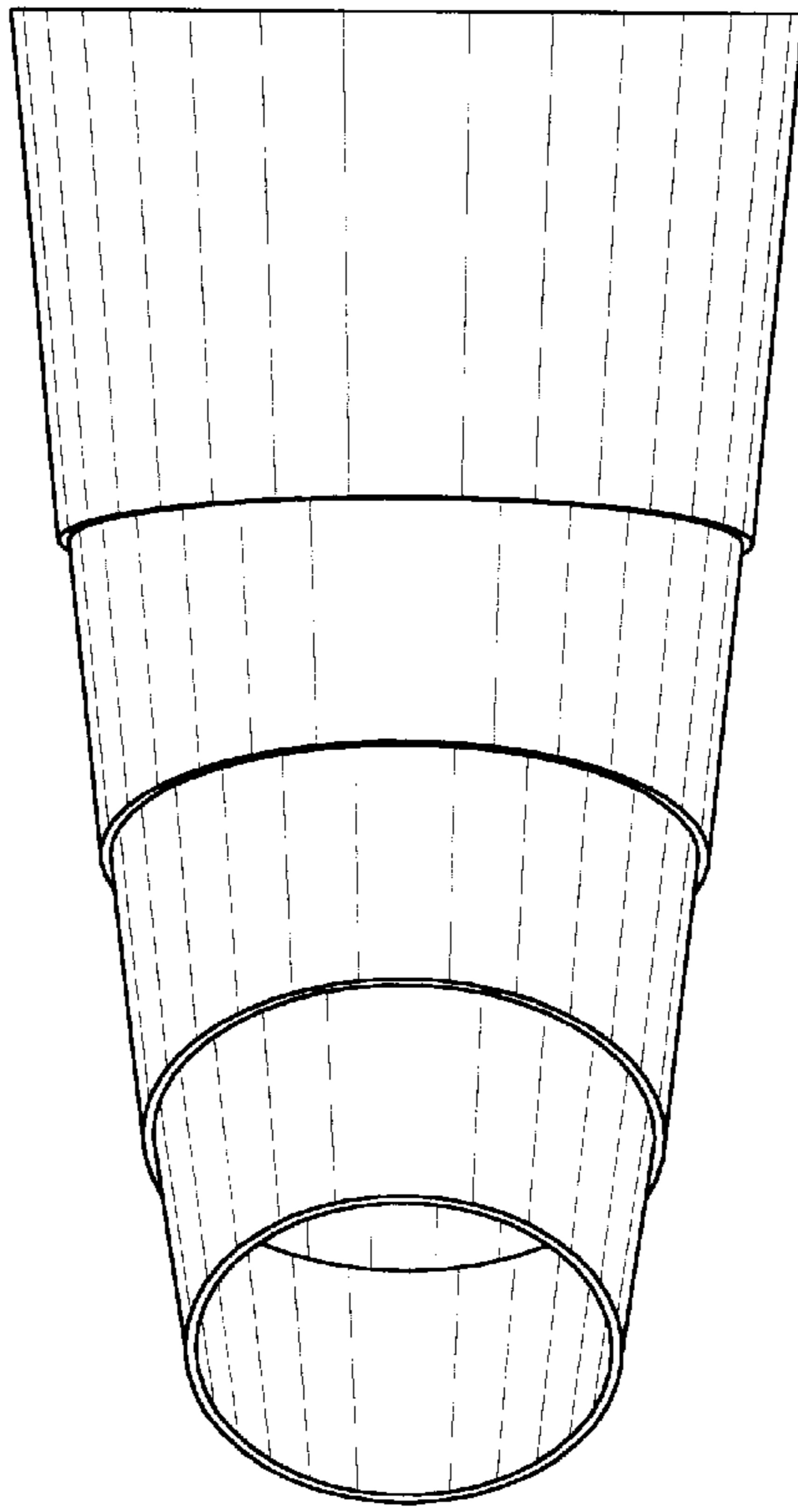


Fig. 1

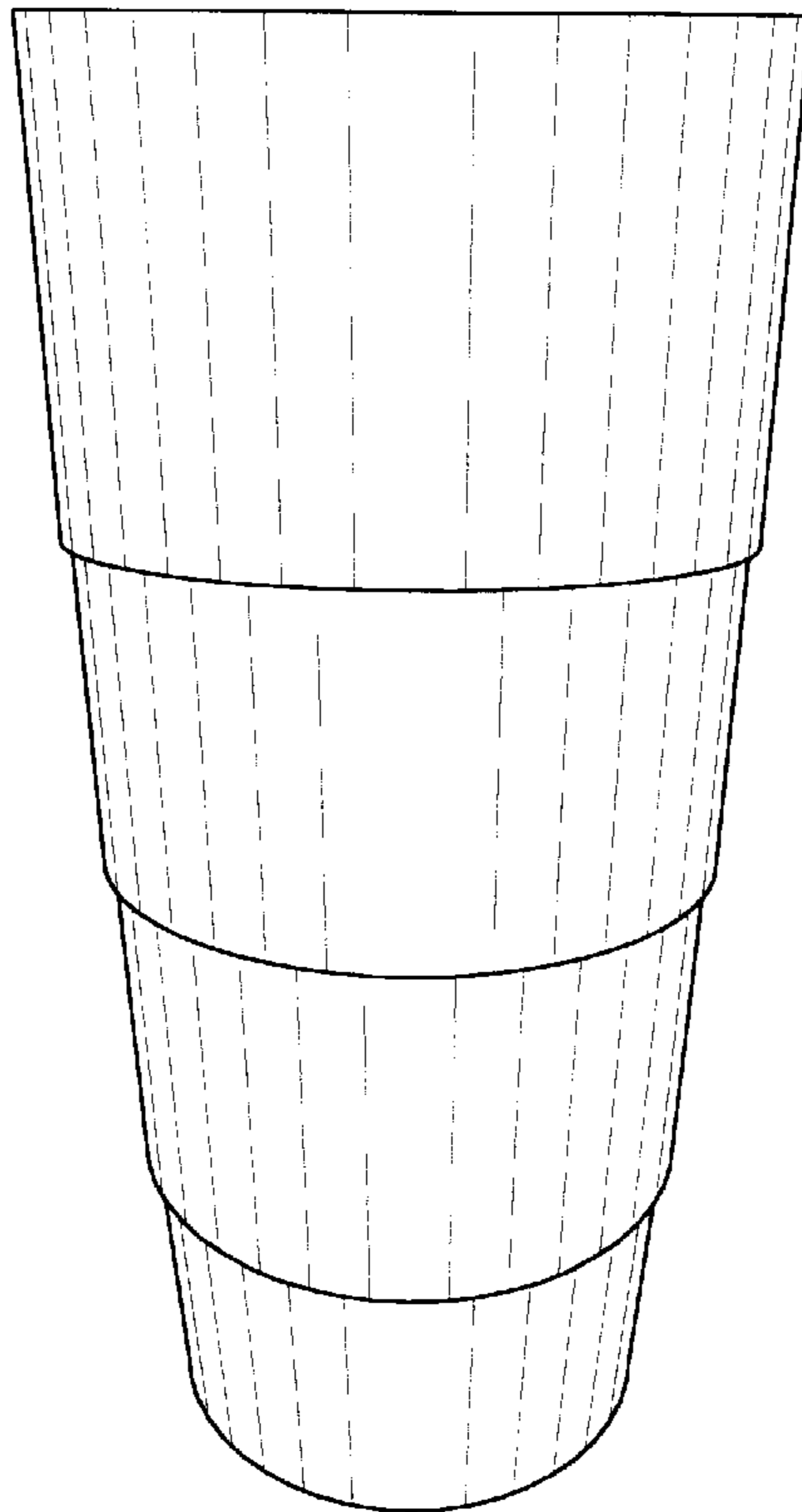


Fig. 2

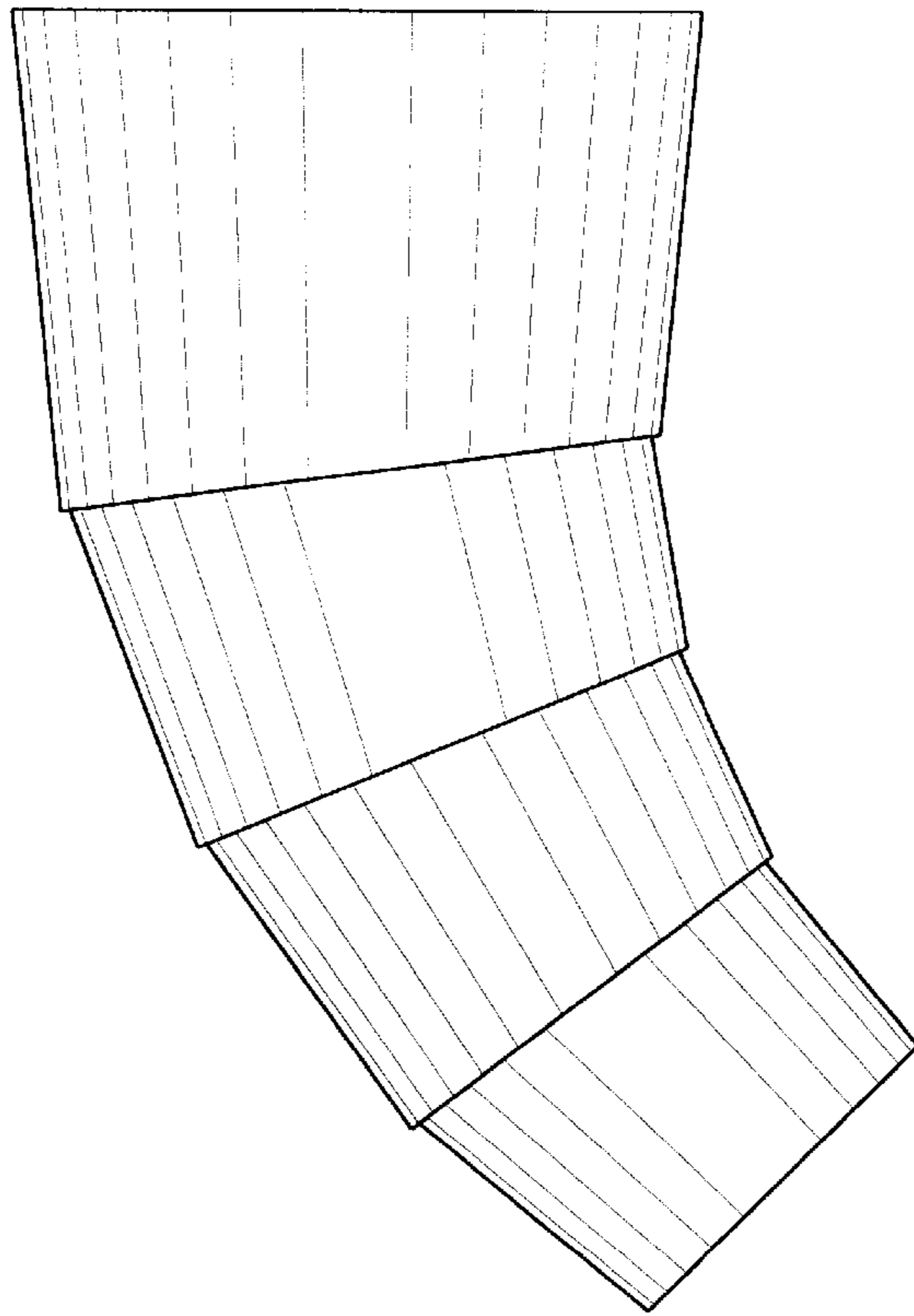


Fig. 3

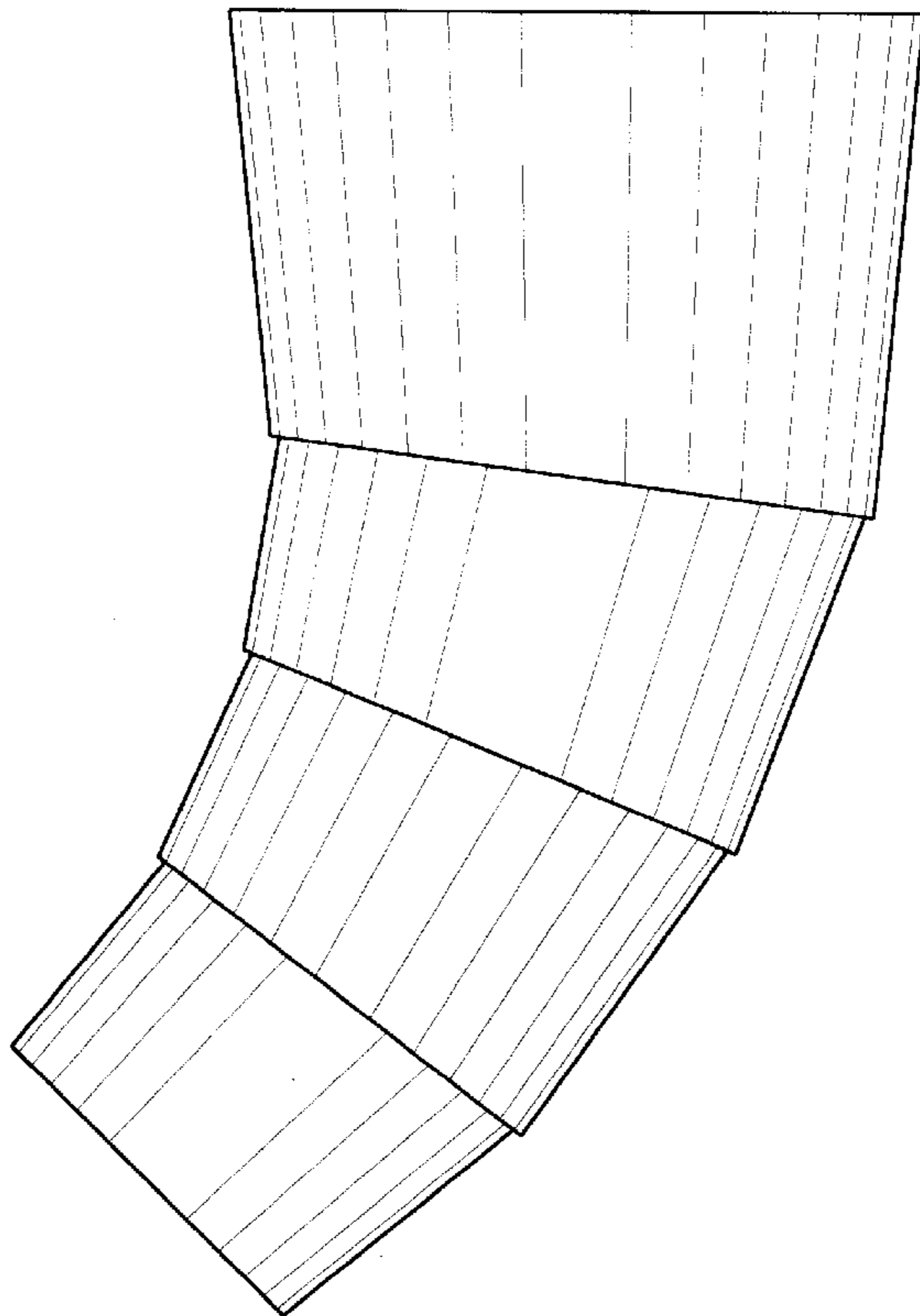


Fig. 4

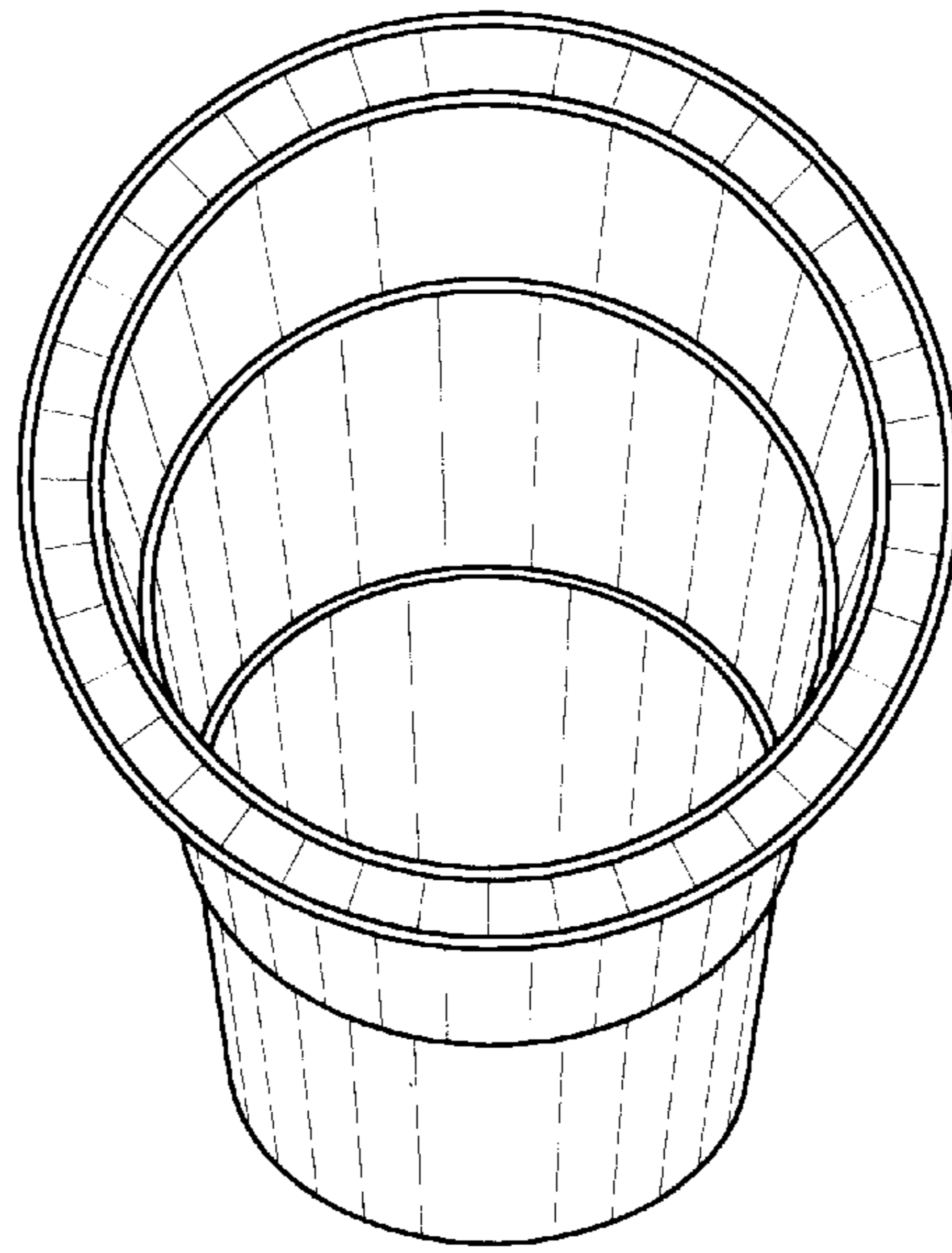


Fig. 5

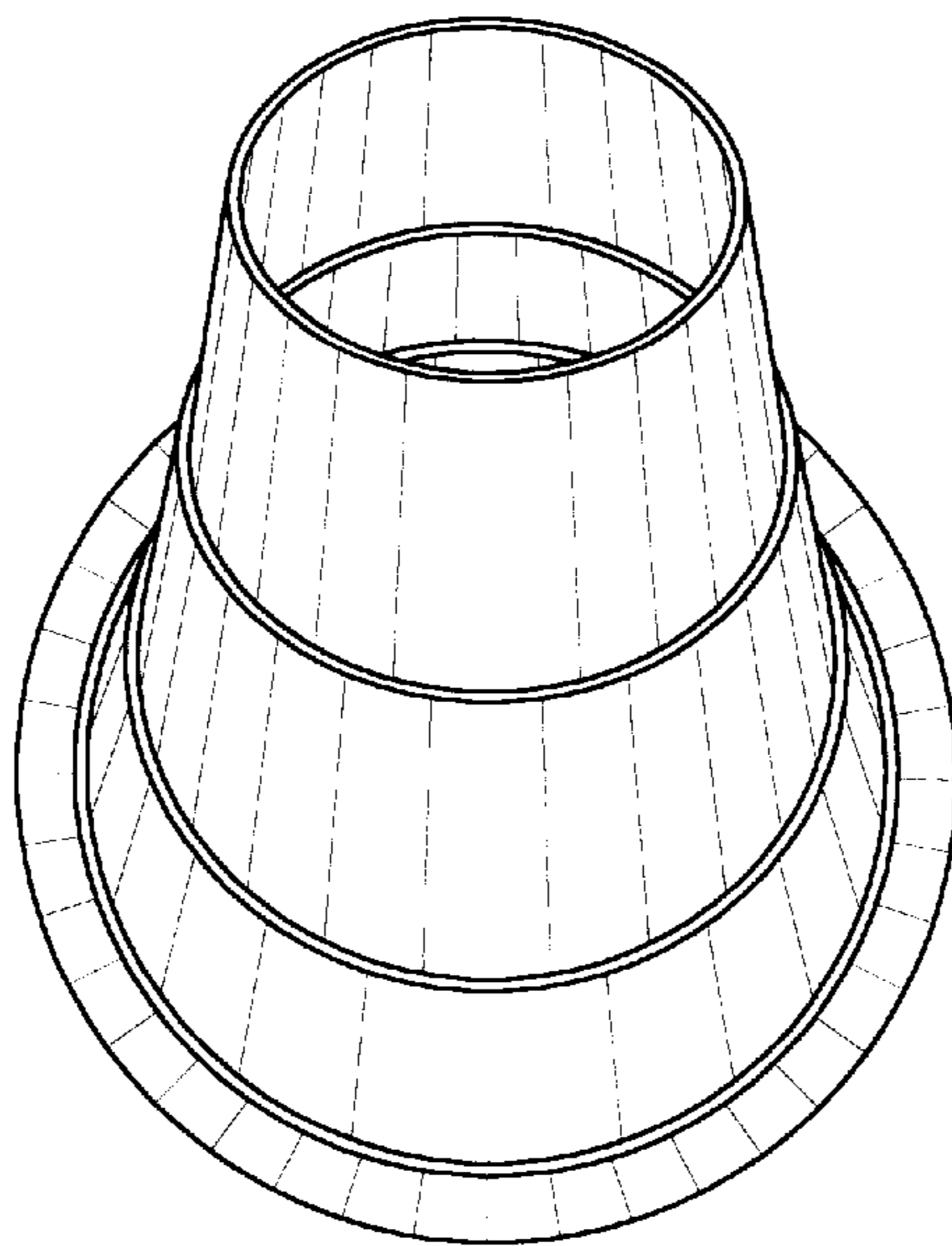


Fig. 6