

US00D402717S

**United States Patent** [19]  
**Stark**

[11] **Patent Number: Des. 402,717**

[45] **Date of Patent: \*\*Dec. 15, 1998**

[54] **JUMP ROPE HANDLE**

[75] Inventor: **Harvey Stark**, Montreal, Canada

[73] Assignee: **Ja-Ru, Inc.**, Jacksonville, Fla.

[\*\*] Term: **14 Years**

[21] Appl. No.: **78,542**

[22] Filed: **Oct. 21, 1997**

[51] **LOC (6) Cl.** ..... **21-02**

[52] **U.S. Cl.** ..... **D21/672; D21/684**

[58] **Field of Search** ..... D21/191, 198;  
D8/107, 303, 305; 482/81, 82, 148

[56] **References Cited**

**U.S. PATENT DOCUMENTS**

D. 73,755	11/1927	Mordt	.....	D21/198
D. 263,326	3/1982	Cooper	.....	D21/191
D. 287,868	1/1987	Whaley	.....	D21/198
4,293,125	10/1981	Hinds	.....	482/82
4,776,585	10/1988	Maleyko et al.	.....	482/82

4,801,137	1/1989	Douglass	.....	482/82
5,314,393	5/1994	Rubin et al.	.....	482/82
5,445,586	8/1995	Yun	.....	482/82

*Primary Examiner*—Philip S. Hyder  
*Attorney, Agent, or Firm*—Lewis Anten, Esq.; Amedeo Ferraro, Esq.

[57] **CLAIM**

The ornamental design for a jump rope handle, as shown and described.

**DESCRIPTION**

FIG. 1 is a side perspective view of the jump rope handle of my claimed design;  
FIG. 2 is a right side elevational view thereof, the remaining side elevational views being identical;  
FIG. 3 is a front end view thereof; and,  
FIG. 4 is a rear end view thereof.

The broken line portion of the FIG. 1 view is for illustrative purposes only and forms no part of the claimed design.

**1 Claim, 2 Drawing Sheets**

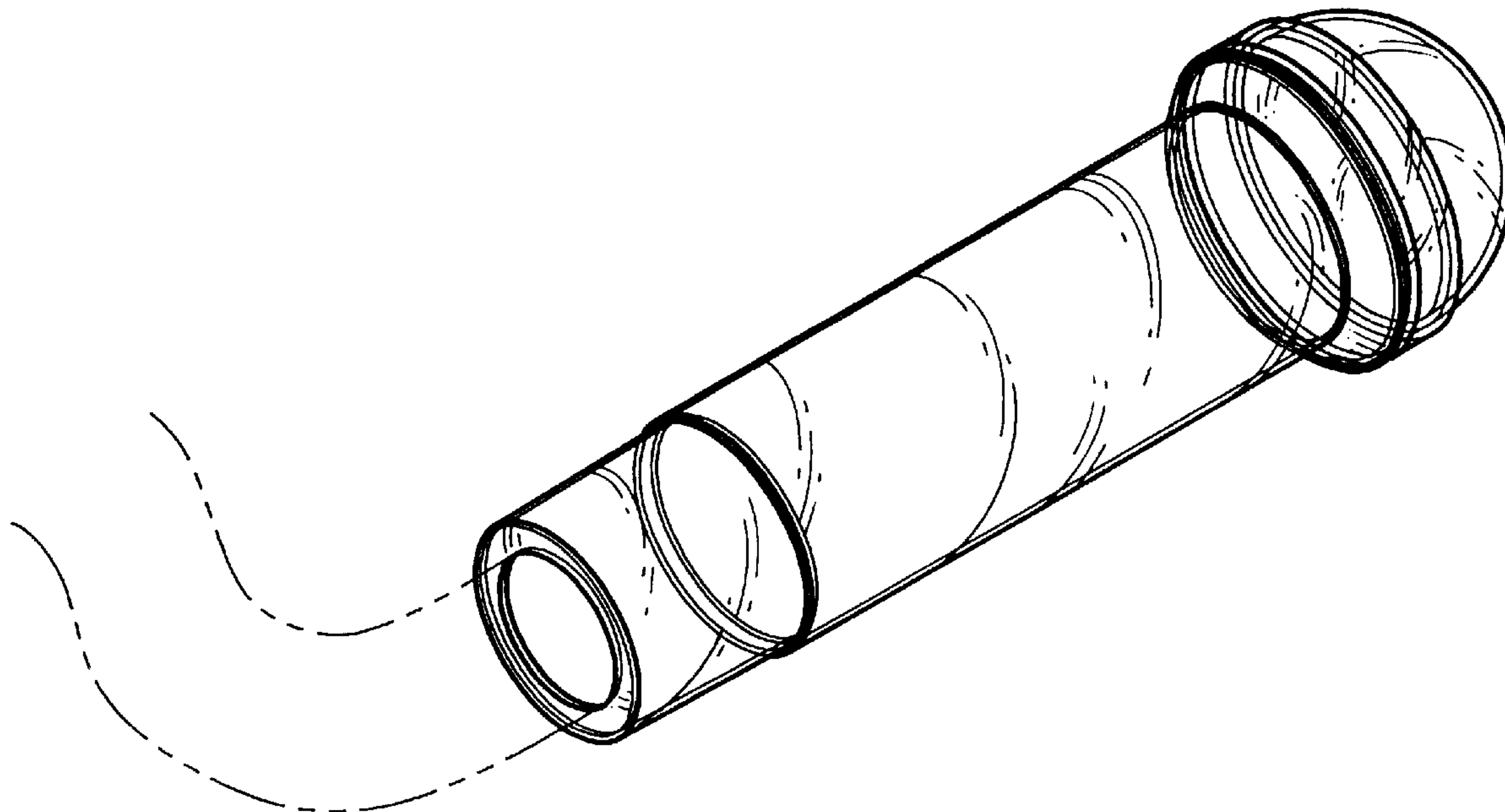


FIG. 1

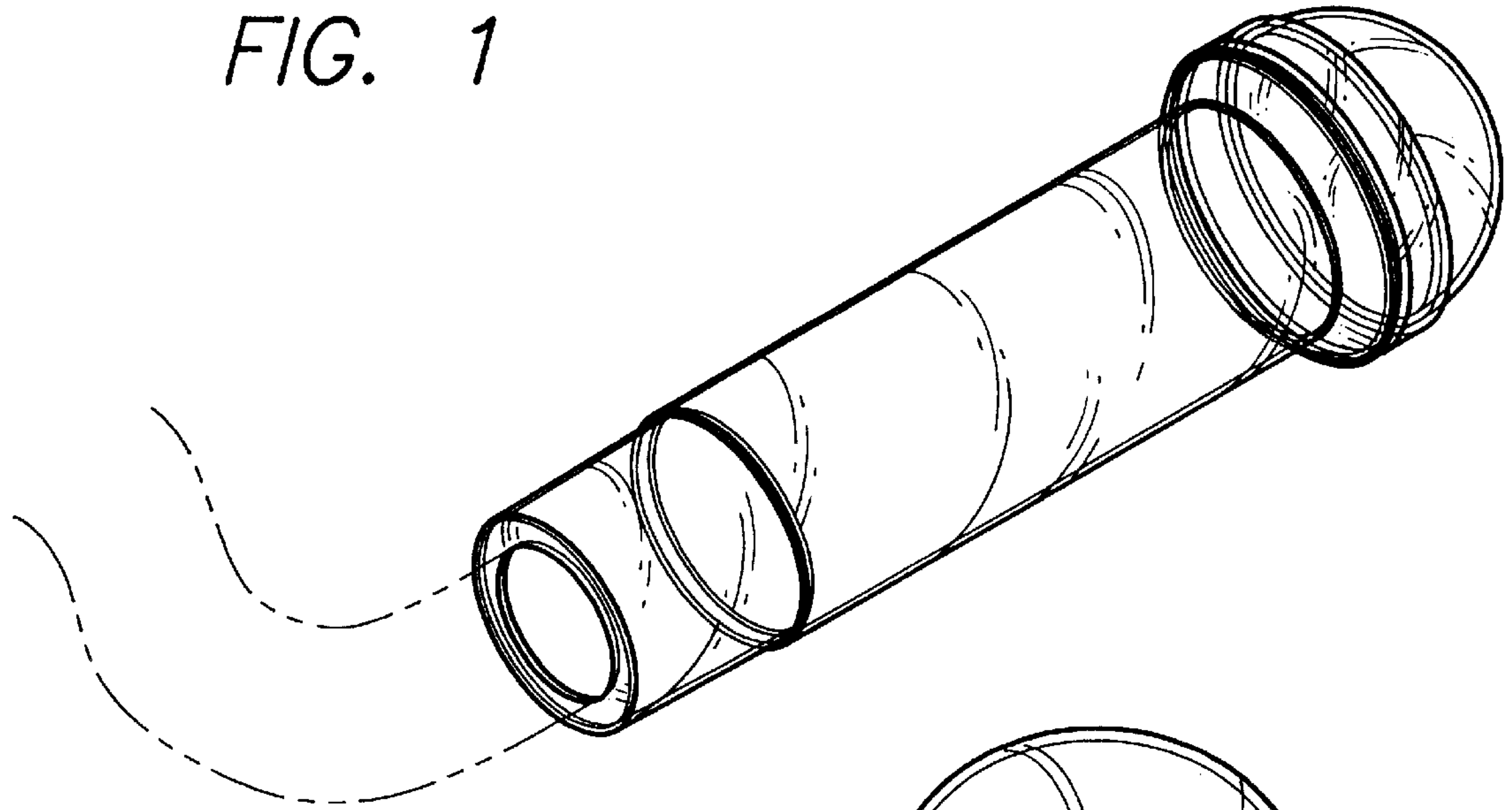
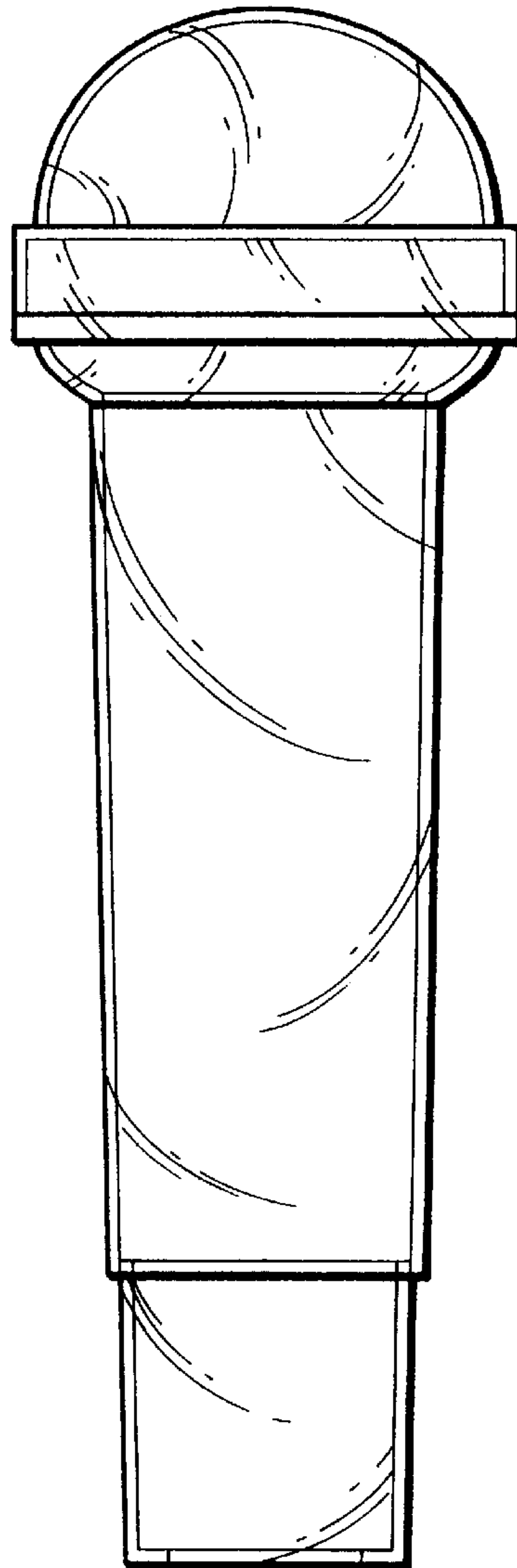
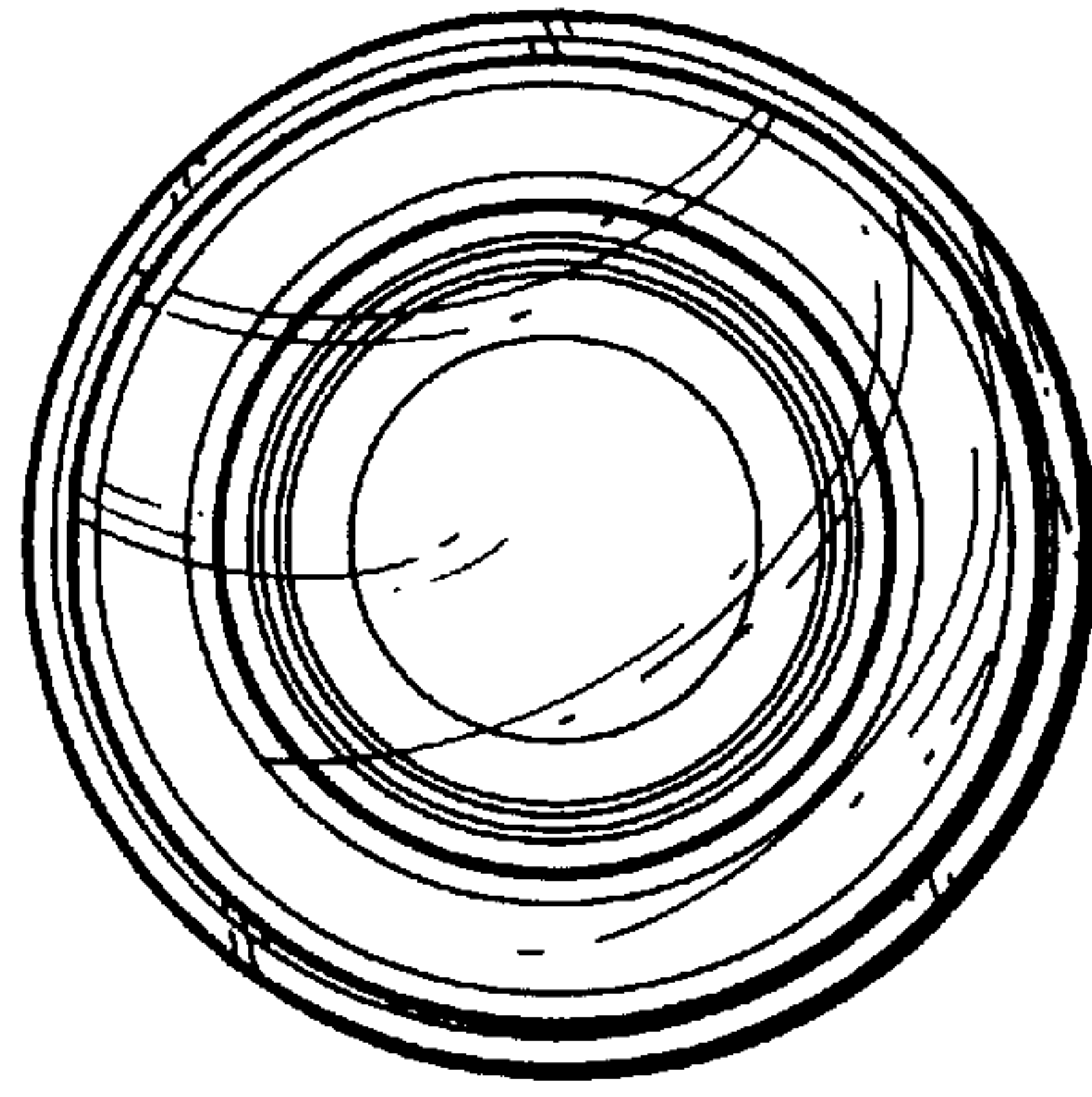


FIG. 2



*FIG. 3*



*FIG. 4*

