



US00D402711S

United States Patent [19]

Wrenn et al.

[11] **Patent Number: Des. 402,711**

[45] **Date of Patent: **Dec. 15, 1998**

[54] **INFANT'S ACTIVITY CENTER**

D. 364,896 12/1995 Wu D21/475

[76] Inventors: **David S. Wrenn**, 21 Loop Dr., North Kingstown, R.I. 02852; **Robert A. R. Myrick**, 58 S. Main St., Millbury, Mass. 01527

Primary Examiner—Dominic Simone
Attorney, Agent, or Firm—Salter & Michaelson

[**] Term: **14 Years**

[57] **CLAIM**

The ornamental design for a infant's activity center, as shown and described.

[21] Appl. No.: **79,105**

DESCRIPTION

[22] Filed: **Nov. 7, 1997**

FIG. 1 is a perspective view of an infant's activity center showing our new design;

[51] **LOC (6) Cl.** **21-01**

FIG. 2 is a side elevational view thereof;

[52] **U.S. Cl.** **D21/476**

FIG. 3 is an elevational view from the opposite side thereof;

[58] **Field of Search** D21/398, 405,
D21/475, 476; 446/227, 228

FIG. 4 is a front elevational view thereof;

FIG. 5 is a rear elevational view thereof;

FIG. 6 is a top plan view thereof; and,

FIG. 7 is a bottom plan view thereof.

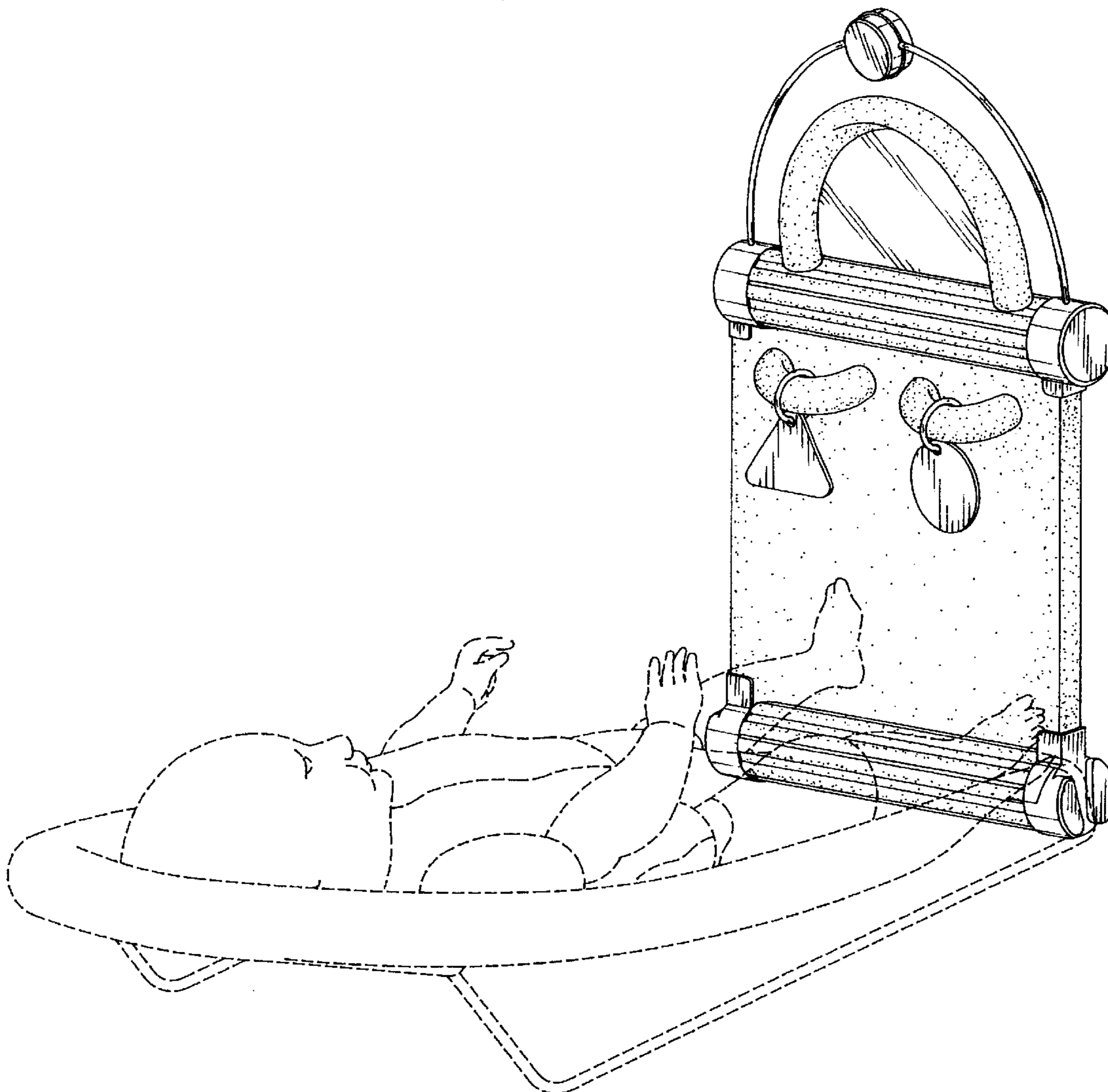
[56] **References Cited**

U.S. PATENT DOCUMENTS

- D. 219,746 1/1971 Stabmann D21/476
- D. 300,333 3/1989 Thomson et al. D21/476
- D. 302,189 7/1989 Nakao et al. .

The portions shown in broken lines in FIG. 1 are for information only and form no part of the instant design.

1 Claim, 4 Drawing Sheets



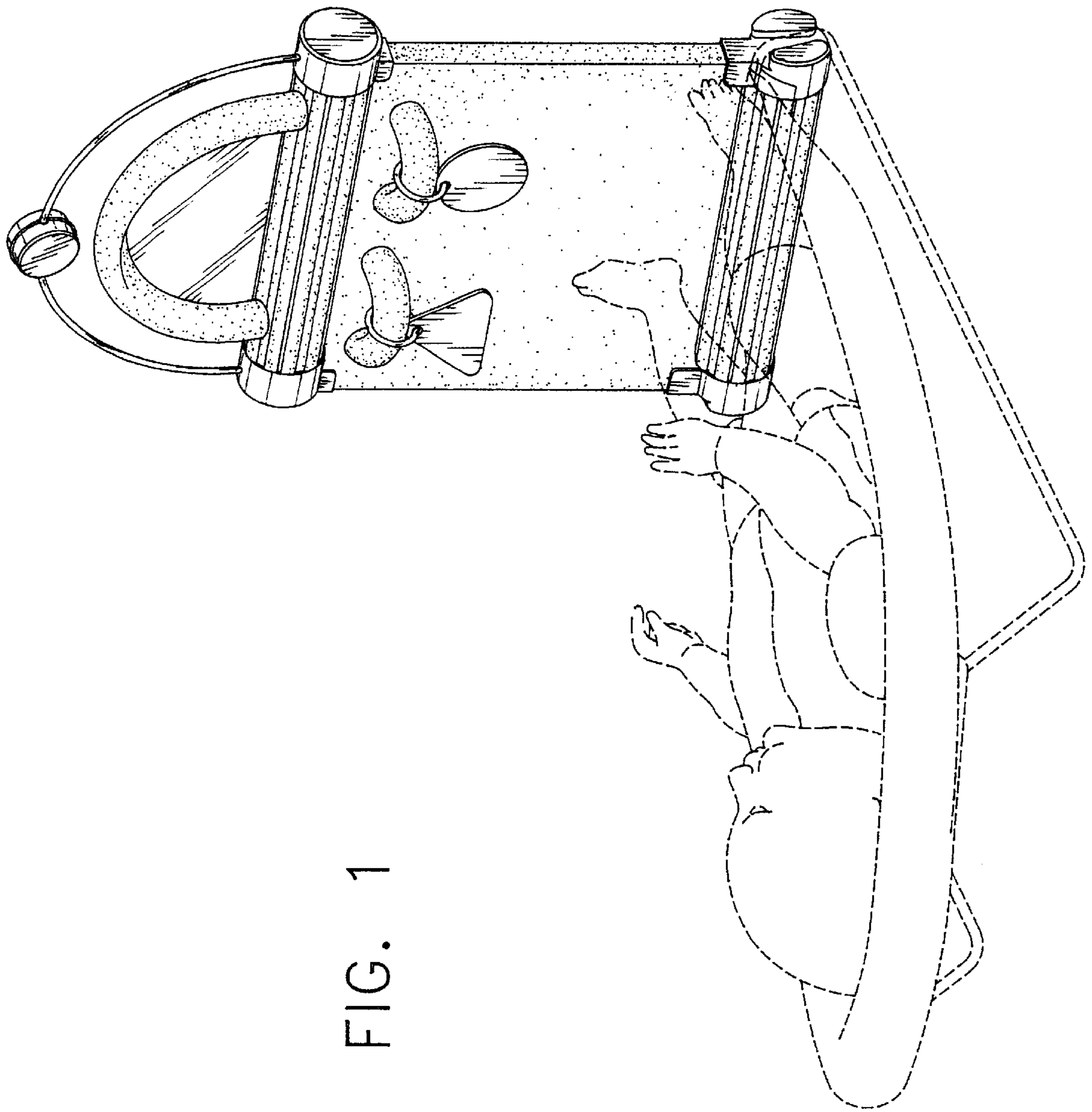


FIG. 1

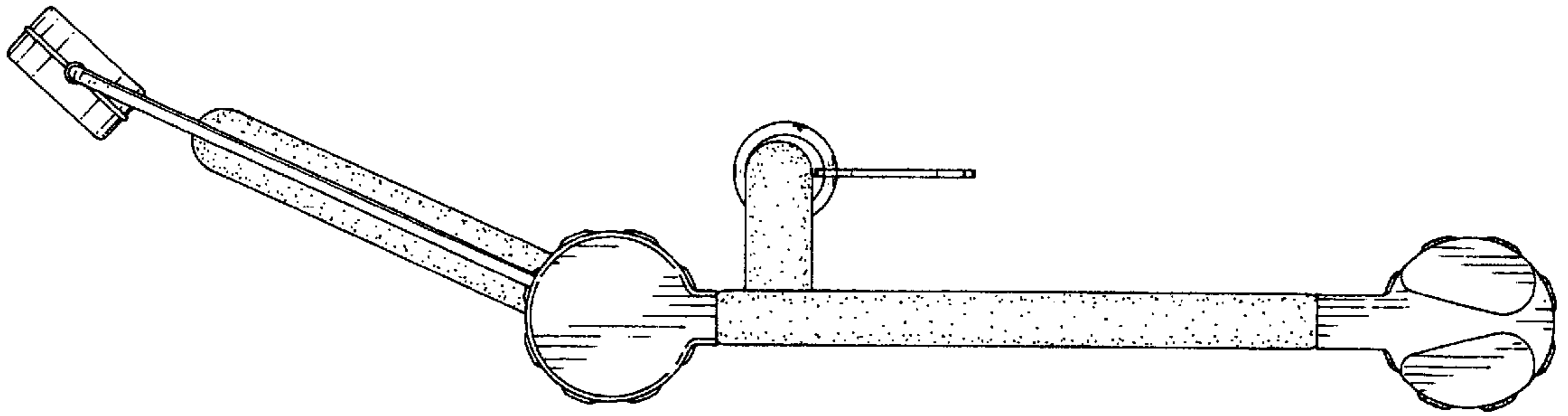


FIG. 3

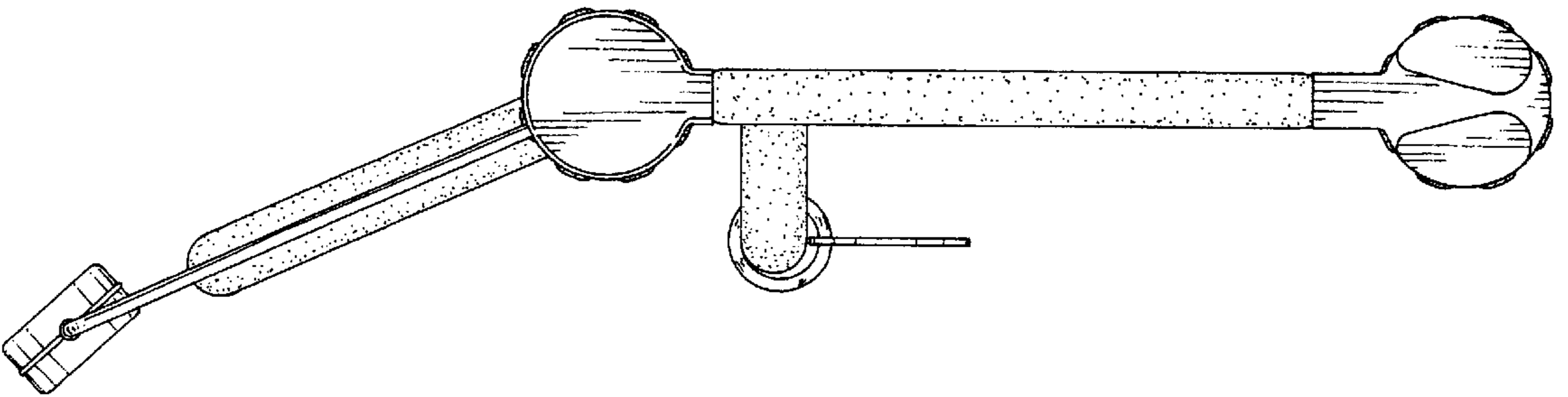


FIG. 2

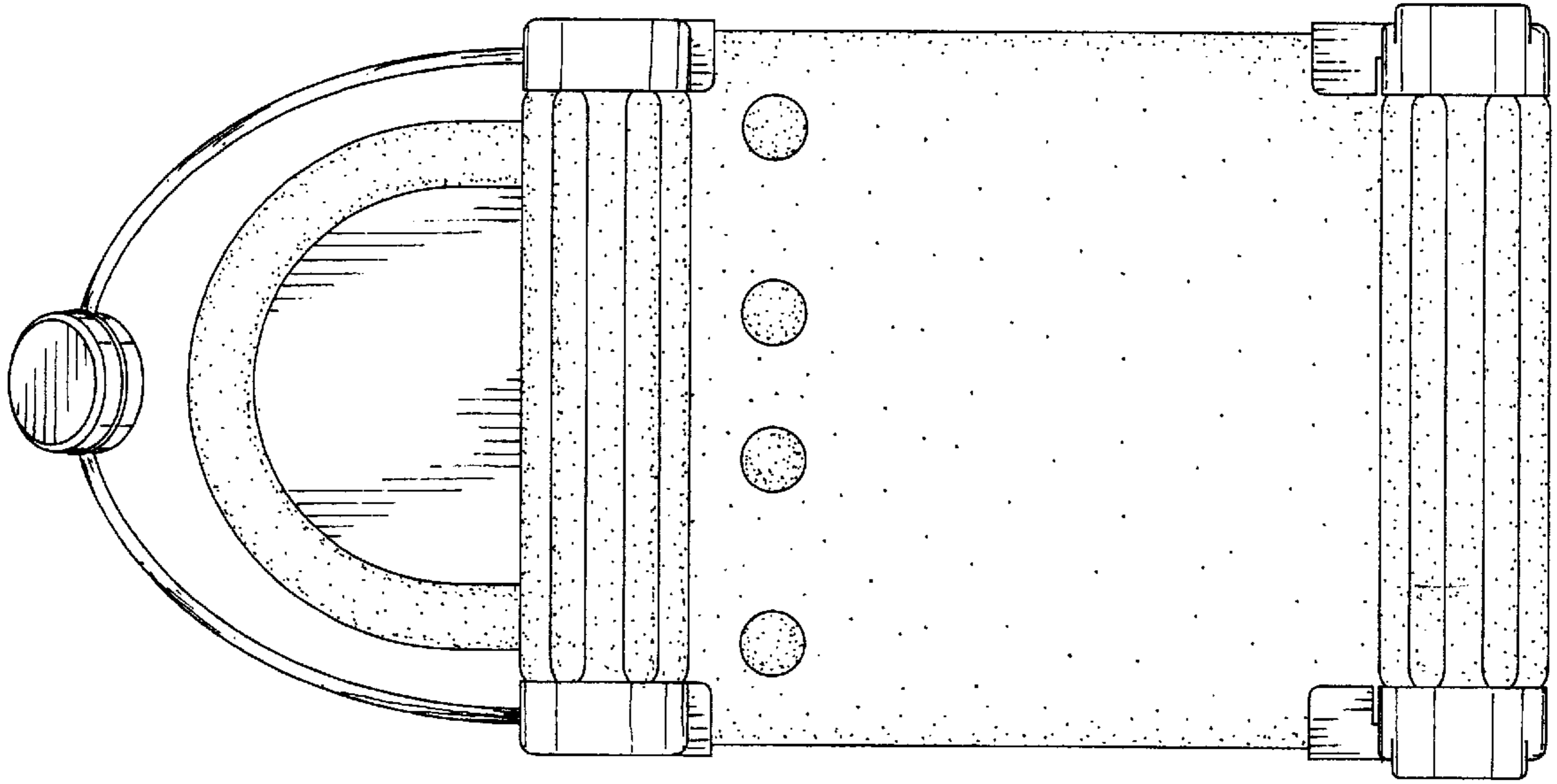


FIG. 4

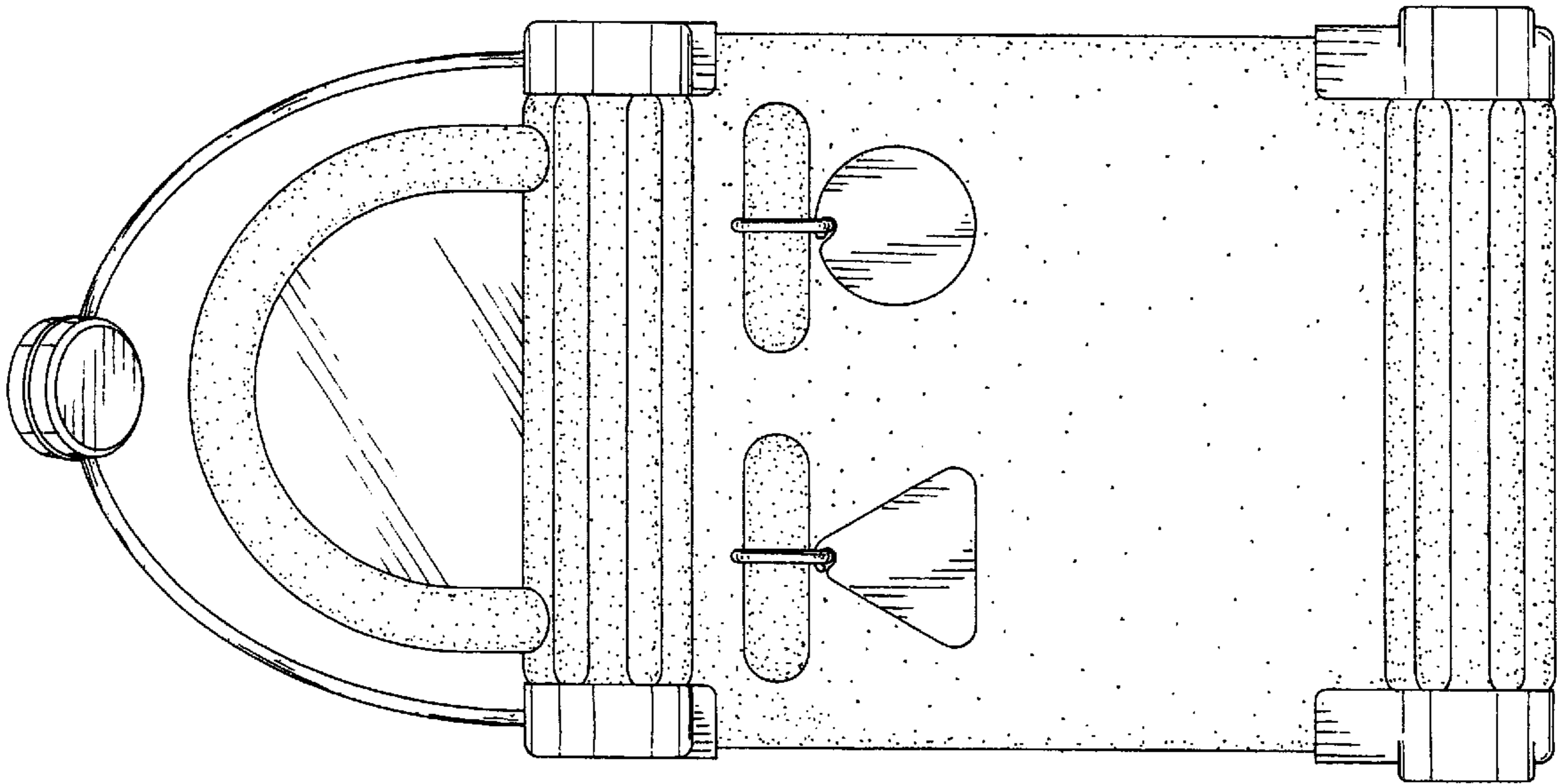


FIG. 5

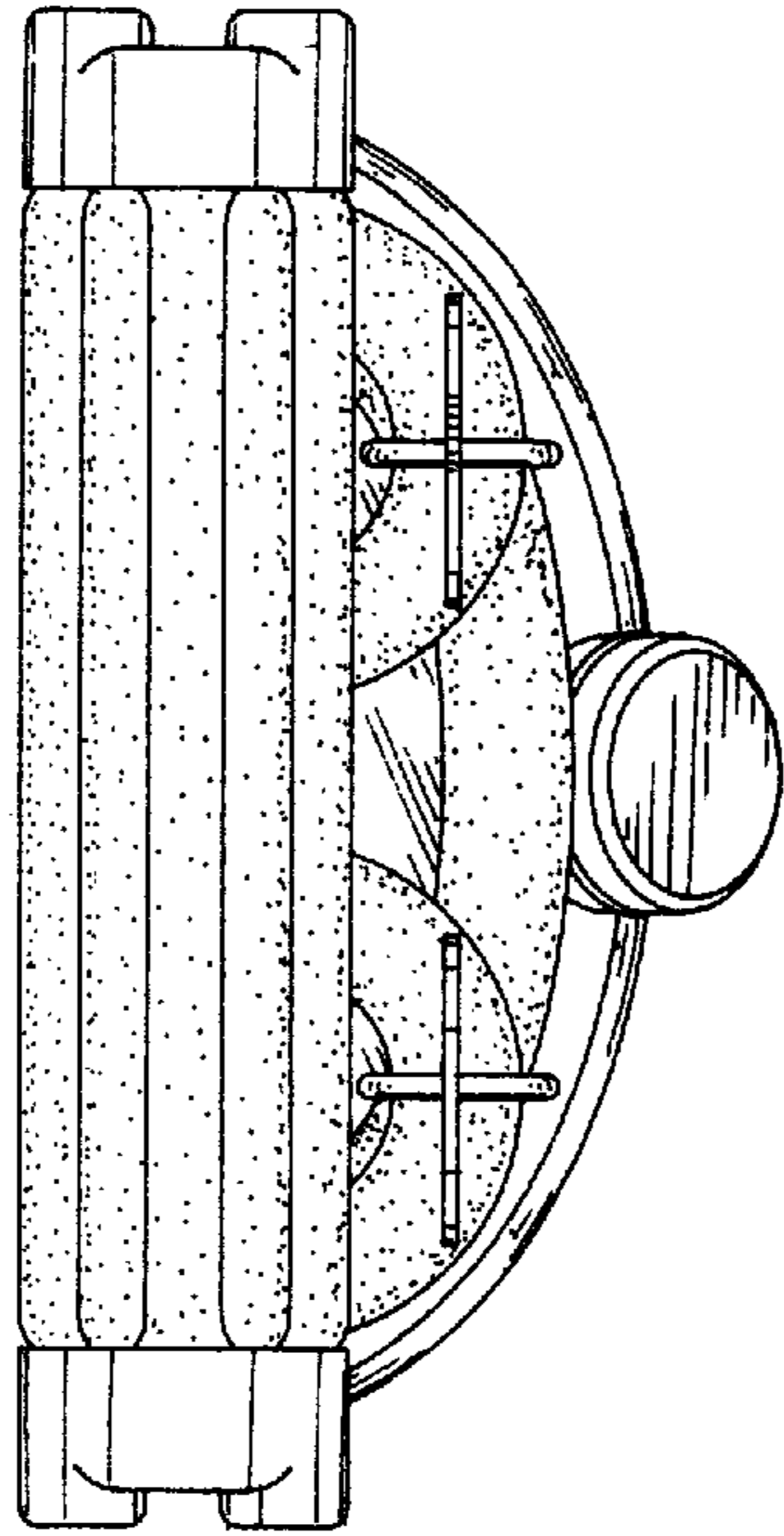


FIG. 7

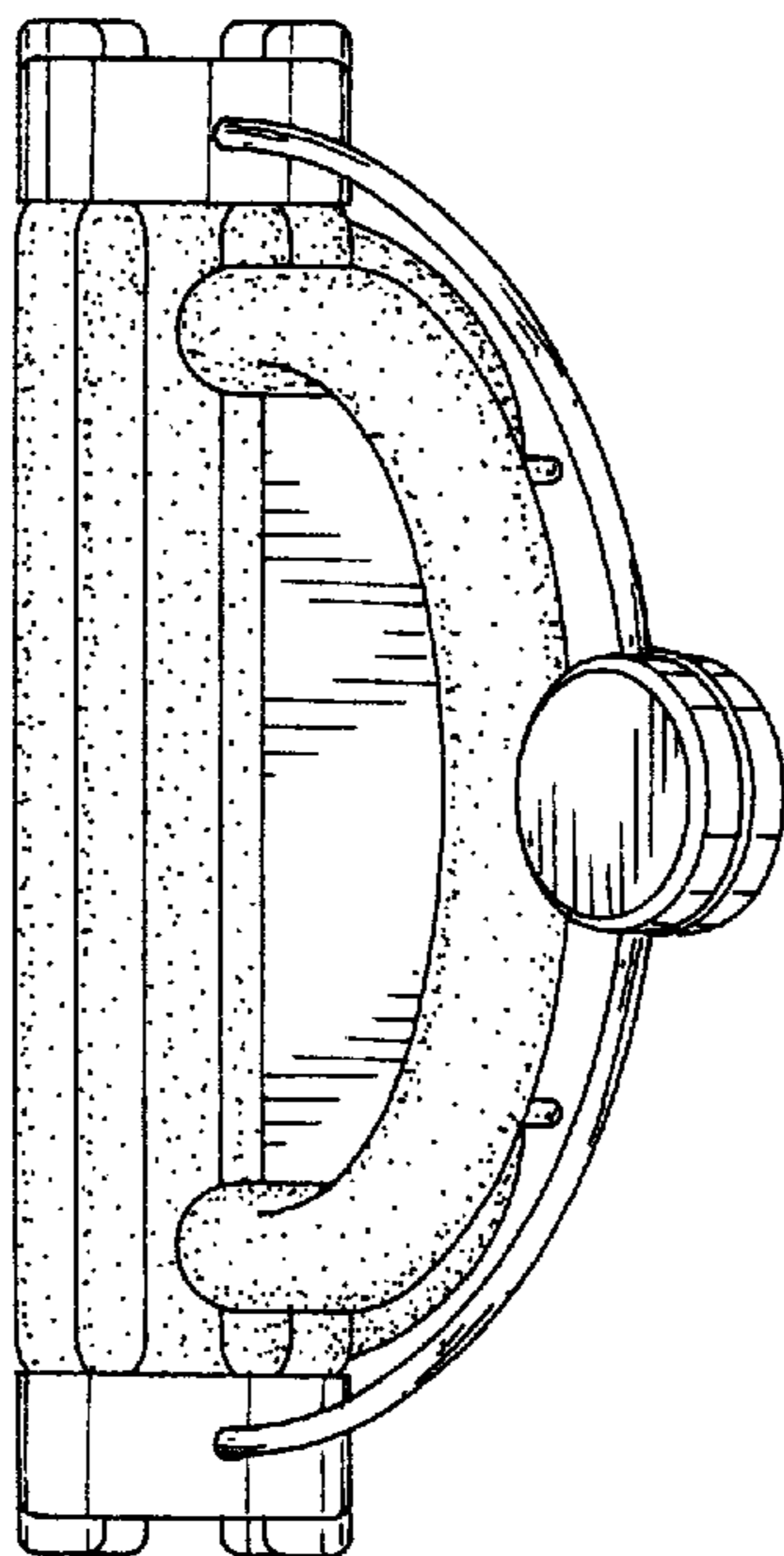


FIG. 6