



US00D402710S

# United States Patent [19]

[11] **Patent Number: Des. 402,710**

**Moss et al.**

[45] **Date of Patent: \*\*Dec. 15, 1998**

## [54] POUNDING TARGET

[76] Inventors: **Latina N. M. Moss**, 1280 Elderwood Ave., Columbus, Ohio 43227; **Sandra K. Lockhart**, 2570 Bretton Woods Dr., Columbus, Ohio 43231

[\*\*] Term: **14 Years**

[21] Appl. No.: **73,179**

[22] Filed: **Jul. 3, 1997**

[51] **LOC (6) Cl.** ..... **21-01**

[52] **U.S. Cl.** ..... **D21/470**

[58] **Field of Search** ..... D21/59, 240, 103; 446/236, 81; 482/82, 83; 273/446, 445

## [56] References Cited

### U.S. PATENT DOCUMENTS

D. 343,656	1/1994	Shiraishi	.....	D21/103
4,418,908	12/1983	Kinberg	.....	276/446
5,207,793	5/1993	Brand et al.	.....	273/445
5,496,204	3/1996	Brown et al.	.....	446/236
5,571,267	11/1996	Yokoi et al.	.....	273/446

Primary Examiner—Philip S. Hyder

## [57] CLAIM

The ornamental design for a novelty pounding target, as shown and described.

## DESCRIPTION

FIG. 1 is a front elevational view of the novelty pounding target of the present invention;

FIG. 2 is a back elevational view of the novelty pounding target of FIG. 1;

FIG. 3 is a left side elevational view of the novelty pounding target of FIG. 1;

FIG. 4 is a right side elevational view of the novelty pounding target of FIG. 1;

FIG. 5 is a top plan view of the novelty pounding target of FIG. 1;

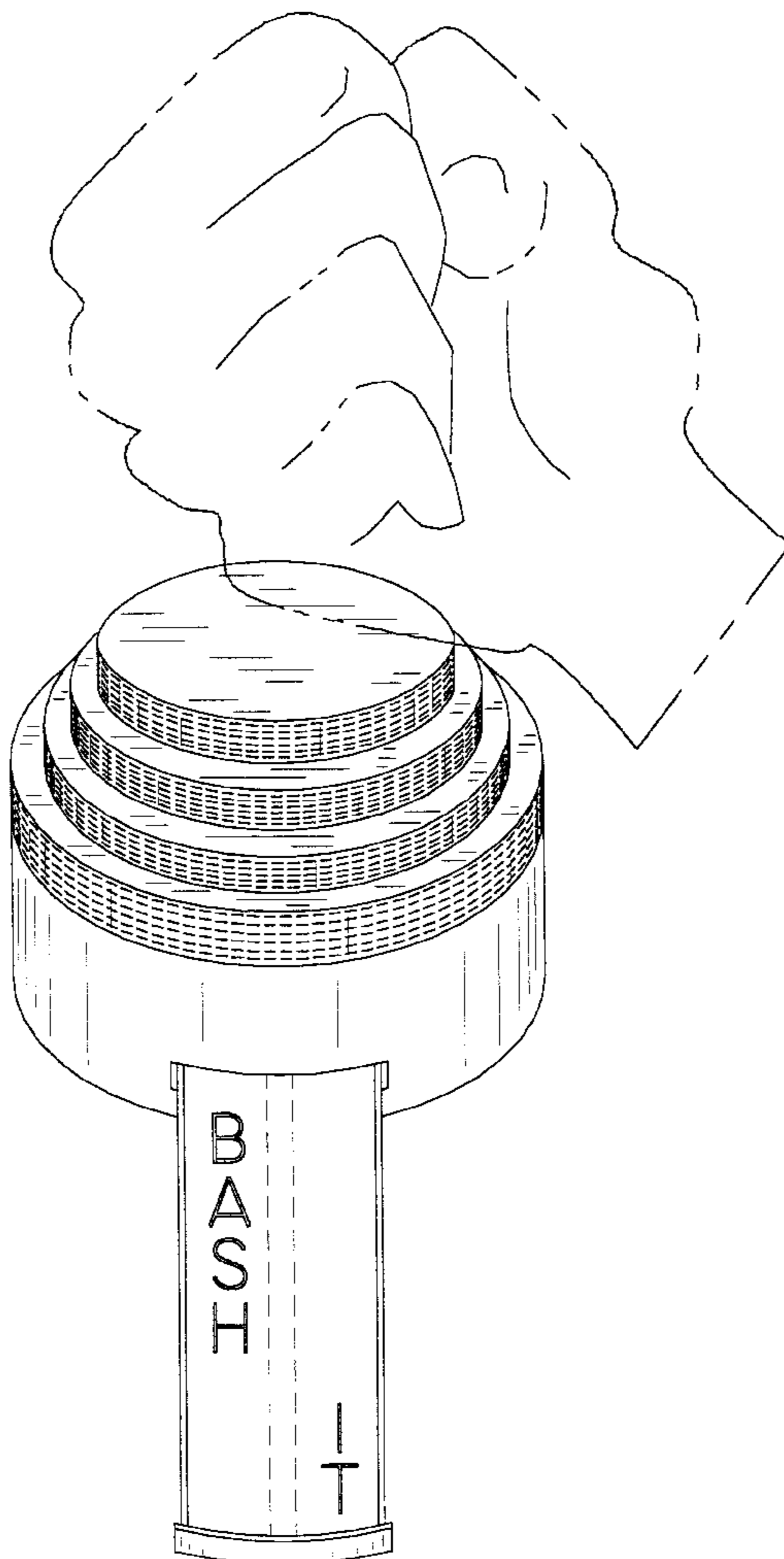
FIG. 6 is a bottom plan view of the novelty pounding target of FIG. 1;

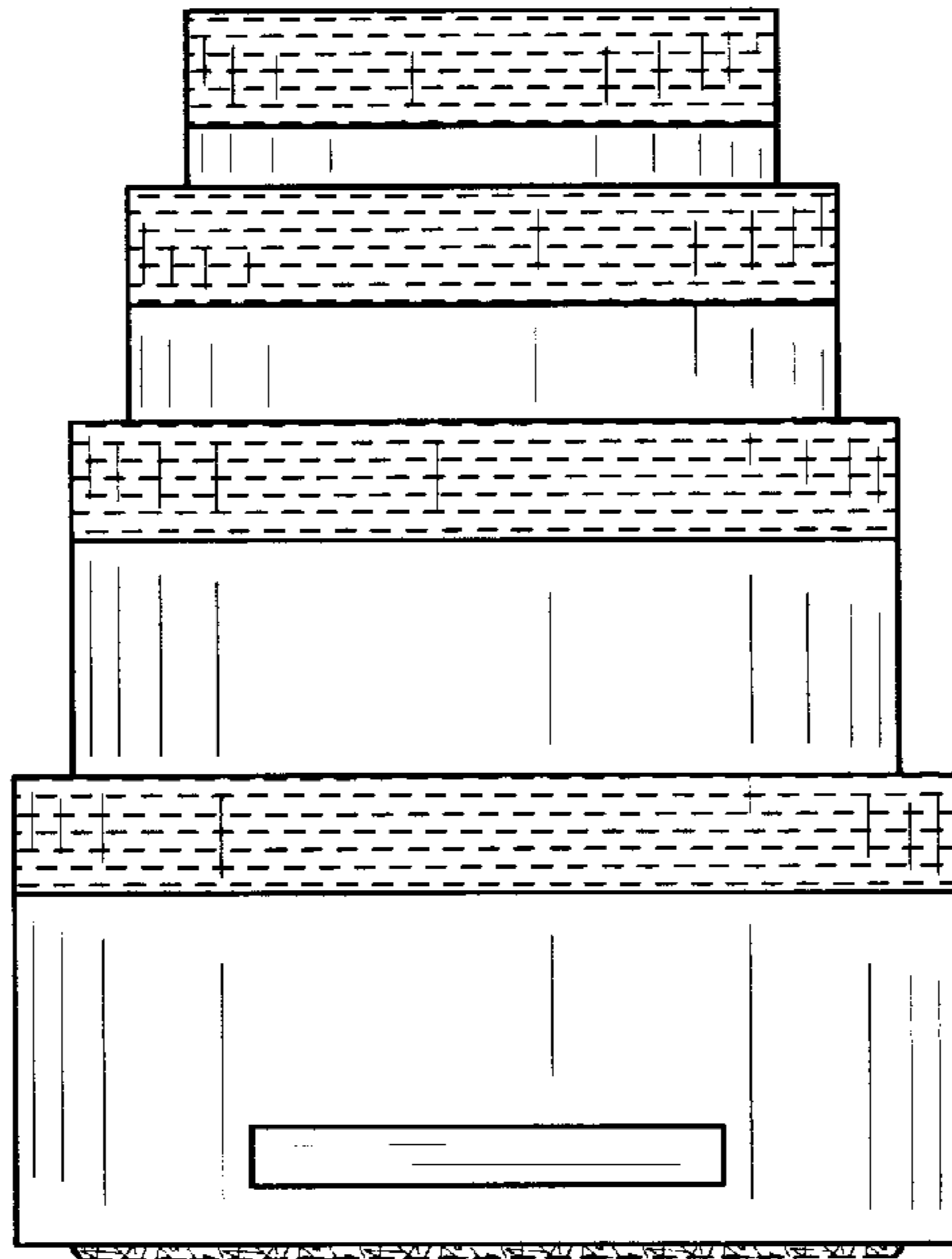
FIG. 7 is a top perspective view thereof, wherein the upper structure is contracted and the flag is extended; and,

FIG. 8 is a bottom perspective view thereof, wherein the flag is extended.

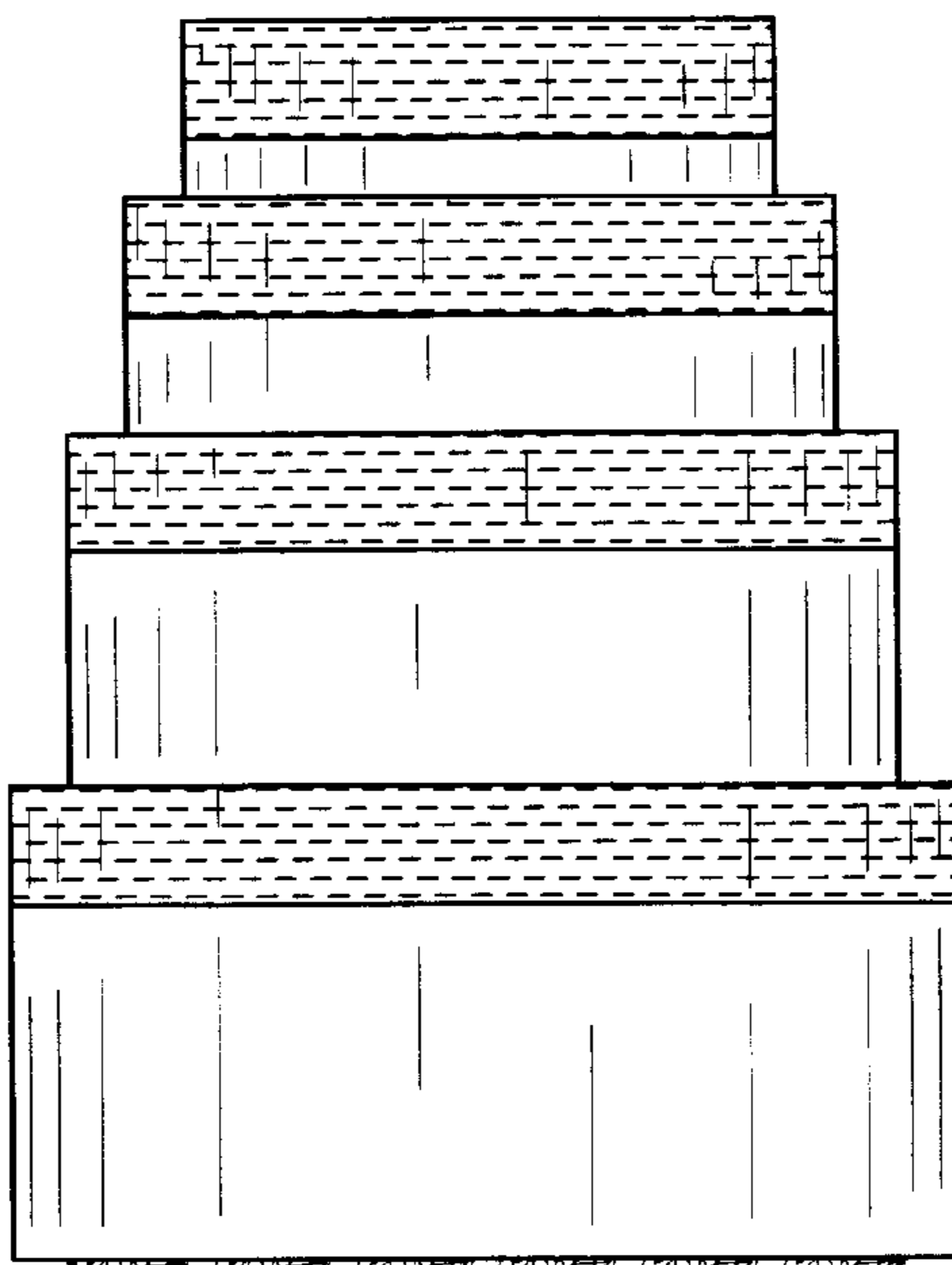
The broken lines of the hand in FIG. 7 is for illustrative purposes only and forms no of the claimed design.

**1 Claim, 4 Drawing Sheets**

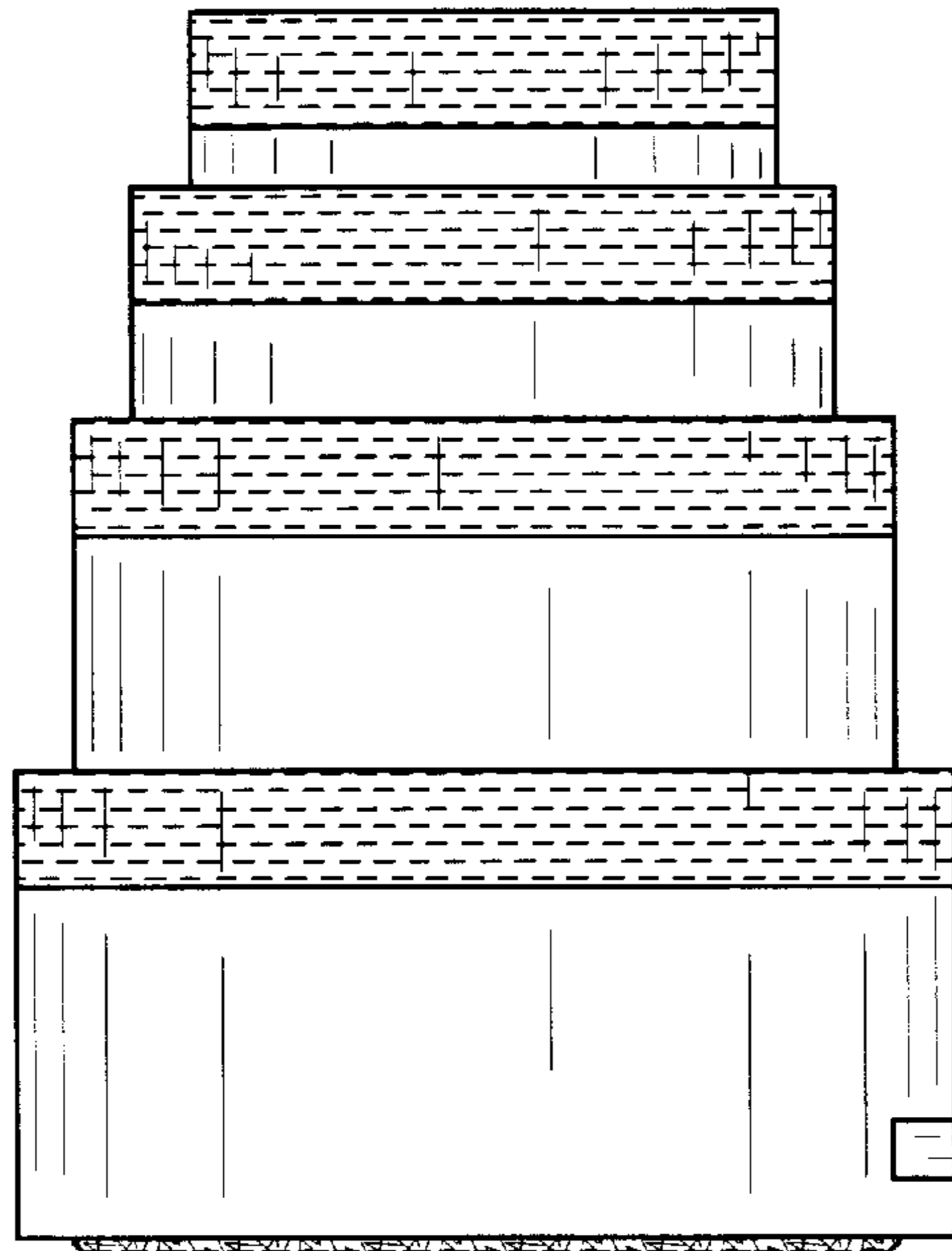




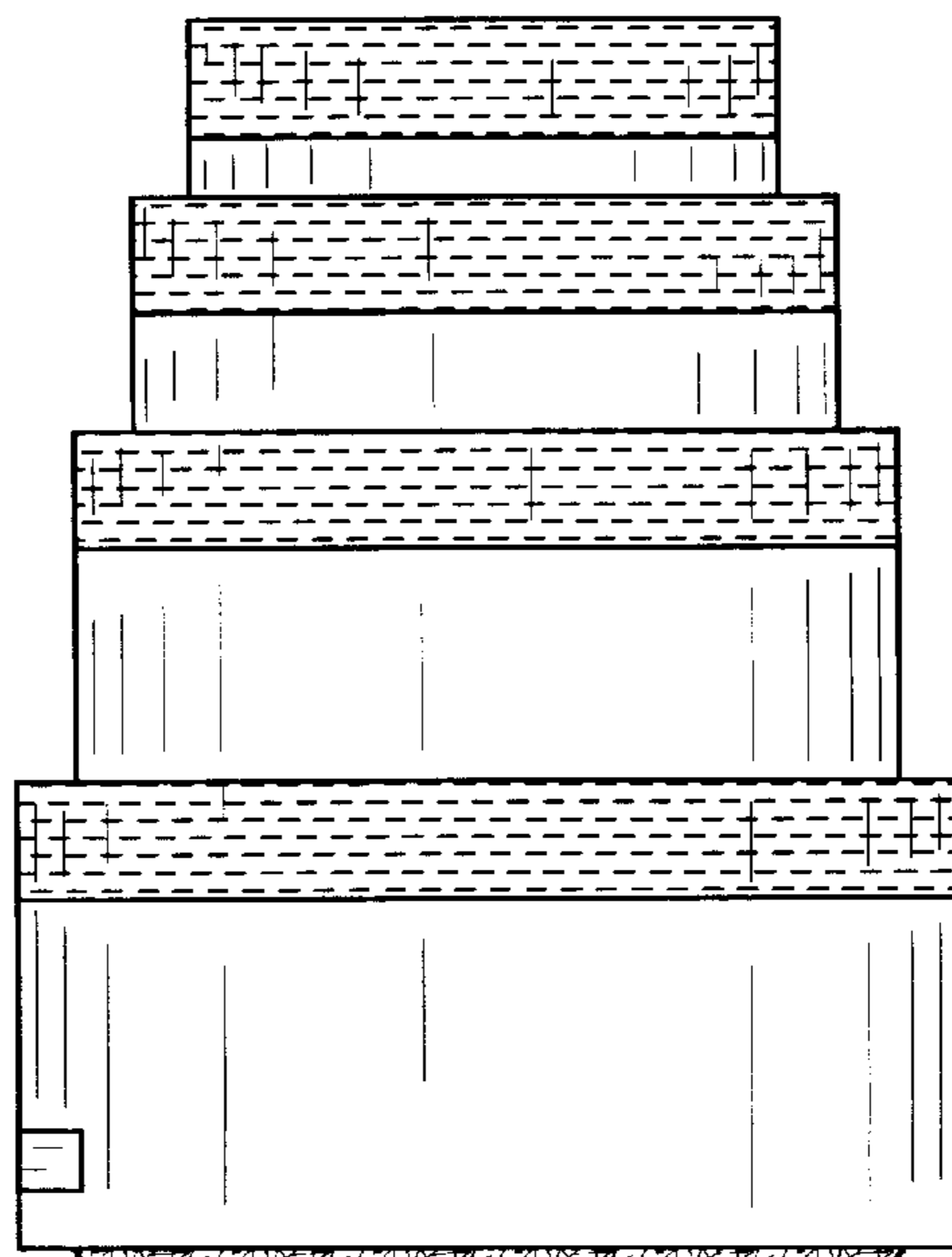
*Fig. 1*



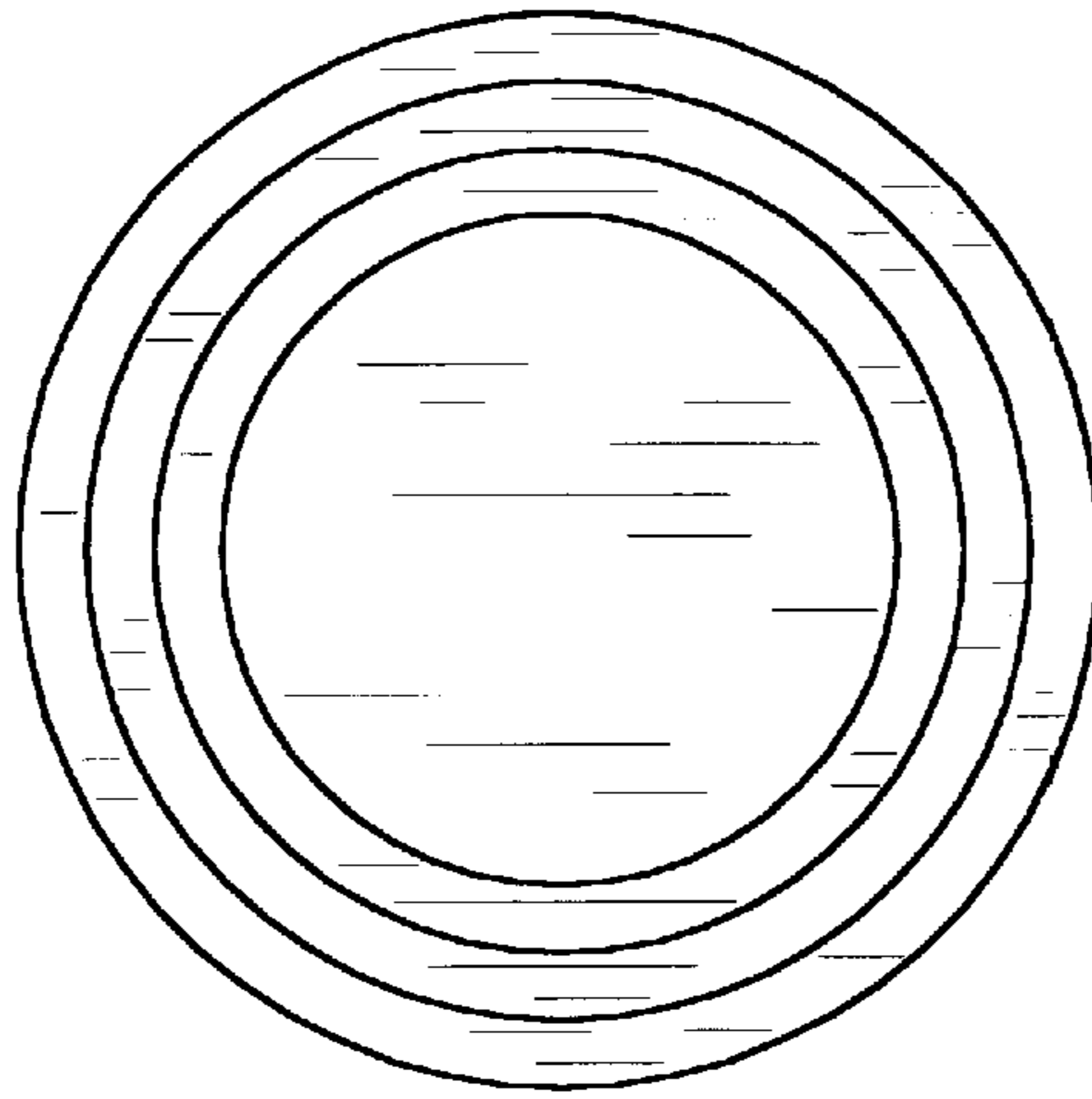
*Fig. 2*



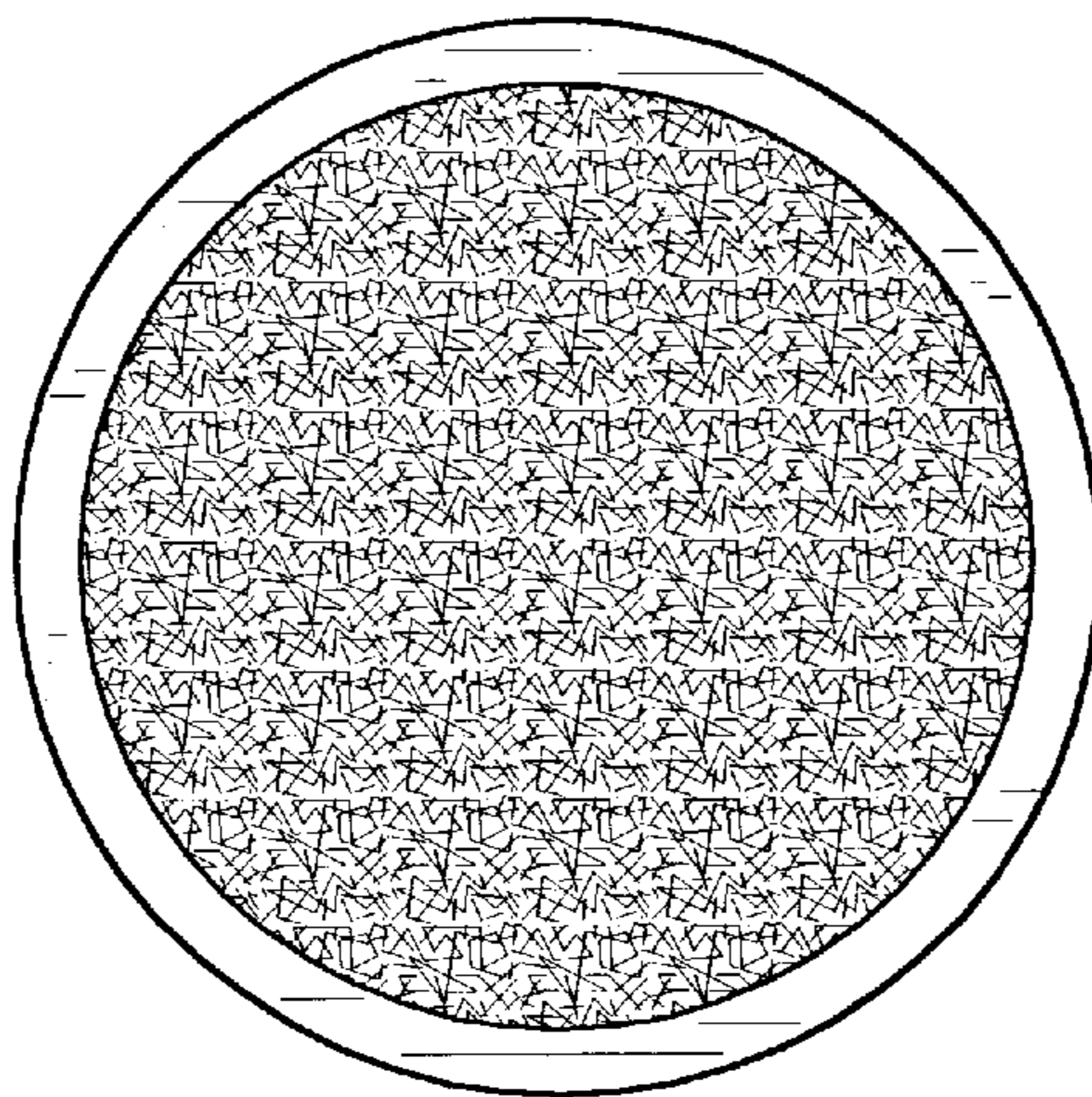
*Fig. 3*



*Fig. 4*



*Fig. 5*



*Fig. 6*

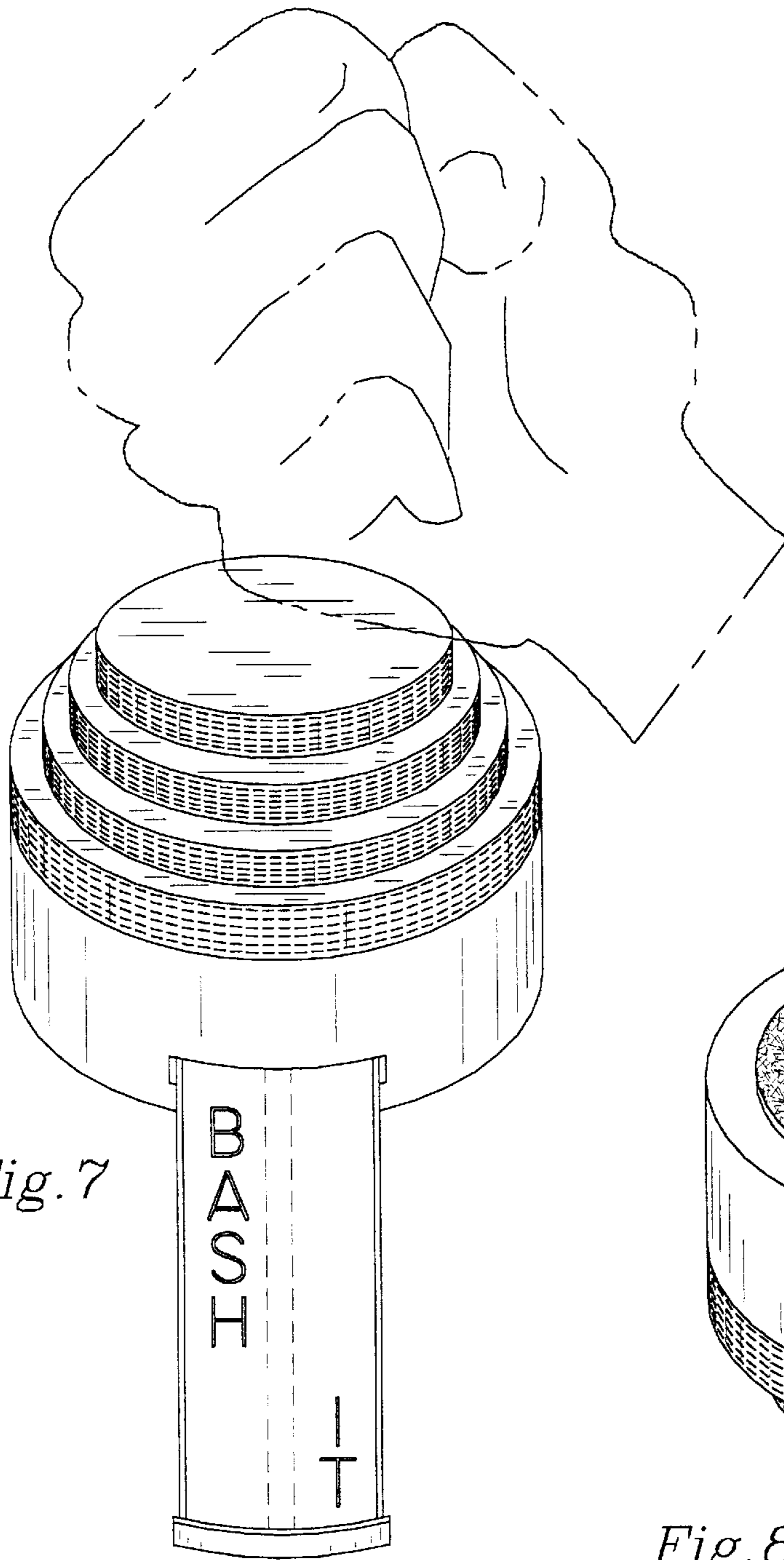


Fig. 7

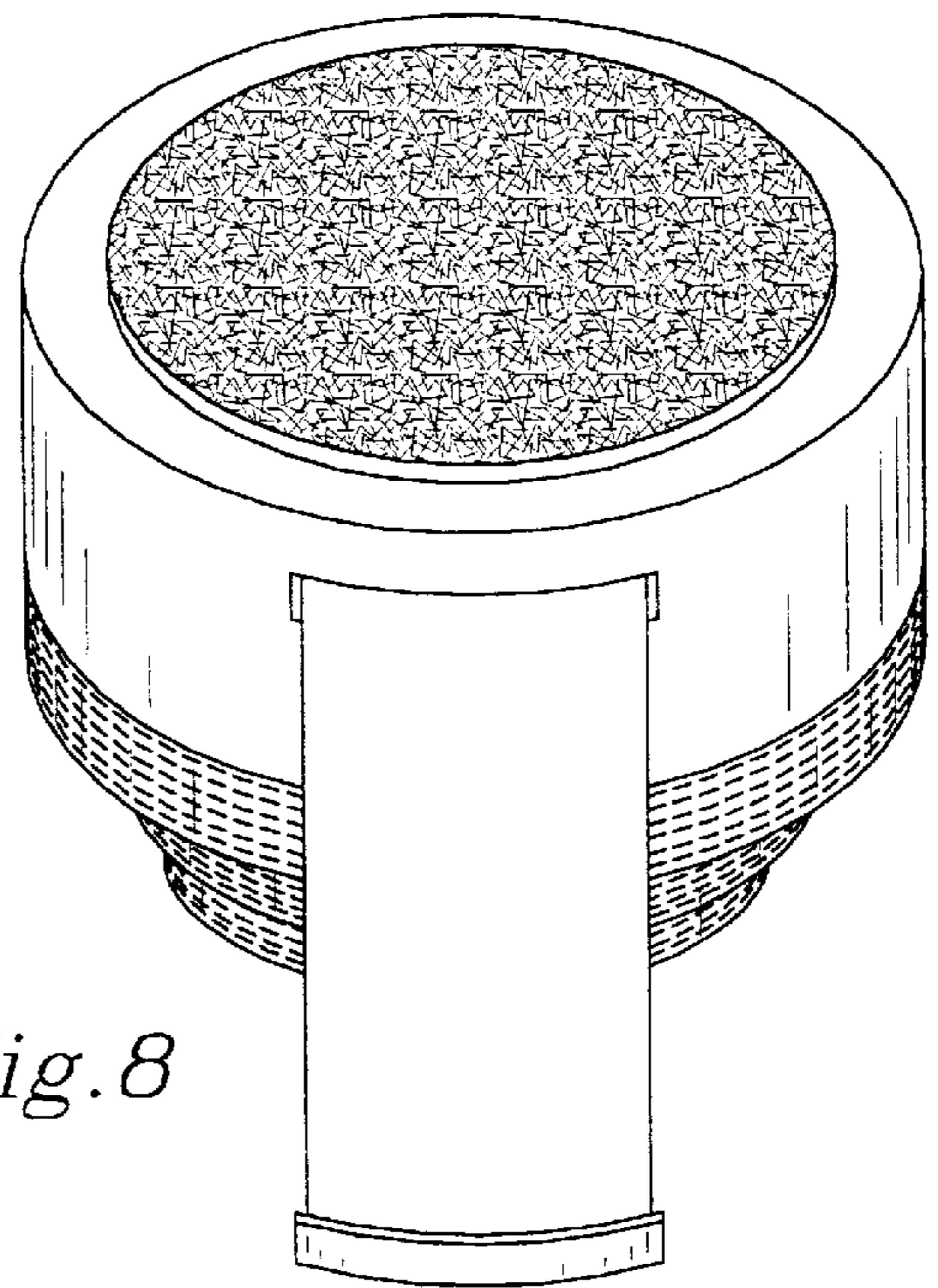


Fig. 8