



US00D402708S

United States Patent [19] Tai

[11] **Patent Number: Des. 402,708**

[45] **Date of Patent: **Dec. 15, 1998**

[54] **PORTABLE INTERACTIVE GAMING AND COMPUTING DEVICE**

[75] Inventor: **Cheung Kwong Tai**, Kowloon, Hong Kong

[73] Assignee: **Hallgold Enterprises, Ltd.**, Kowloon, Hong Kong

[**] Term: **14 Years**

[21] Appl. No.: **82,011**

[22] Filed: **Jan. 13, 1998**

[51] **LOC (6) Cl.** **21-01**

[52] **U.S. Cl.** **D21/330; D14/117.1**

[58] **Field of Search** D21/324, 329, D21/330, 1, 48, 13; 273/148 B; 463/1, 29-35, 46, 47; D14/124, 117.1, 114, 114.1

[56] **References Cited**

U.S. PATENT DOCUMENTS

- D. 333,493 2/1993 Sato D21/13
- D. 346,408 4/1994 Lee D21/13

- D. 347,856 6/1994 Marfori et al. D21/13 X
- D. 366,285 1/1996 Tada D21/48
- D. 376,823 12/1996 Ikenaga D21/13
- D. 378,677 4/1997 Matsumoto et al. D21/13 X
- D. 383,800 9/1997 Ishizaki et al. D21/13 X
- 5,212,368 5/1993 Hara 463/46 X

Primary Examiner—Prabhakah G. Deshmukh
Attorney, Agent, or Firm—Chi-Ping Chang; Joe Zheng

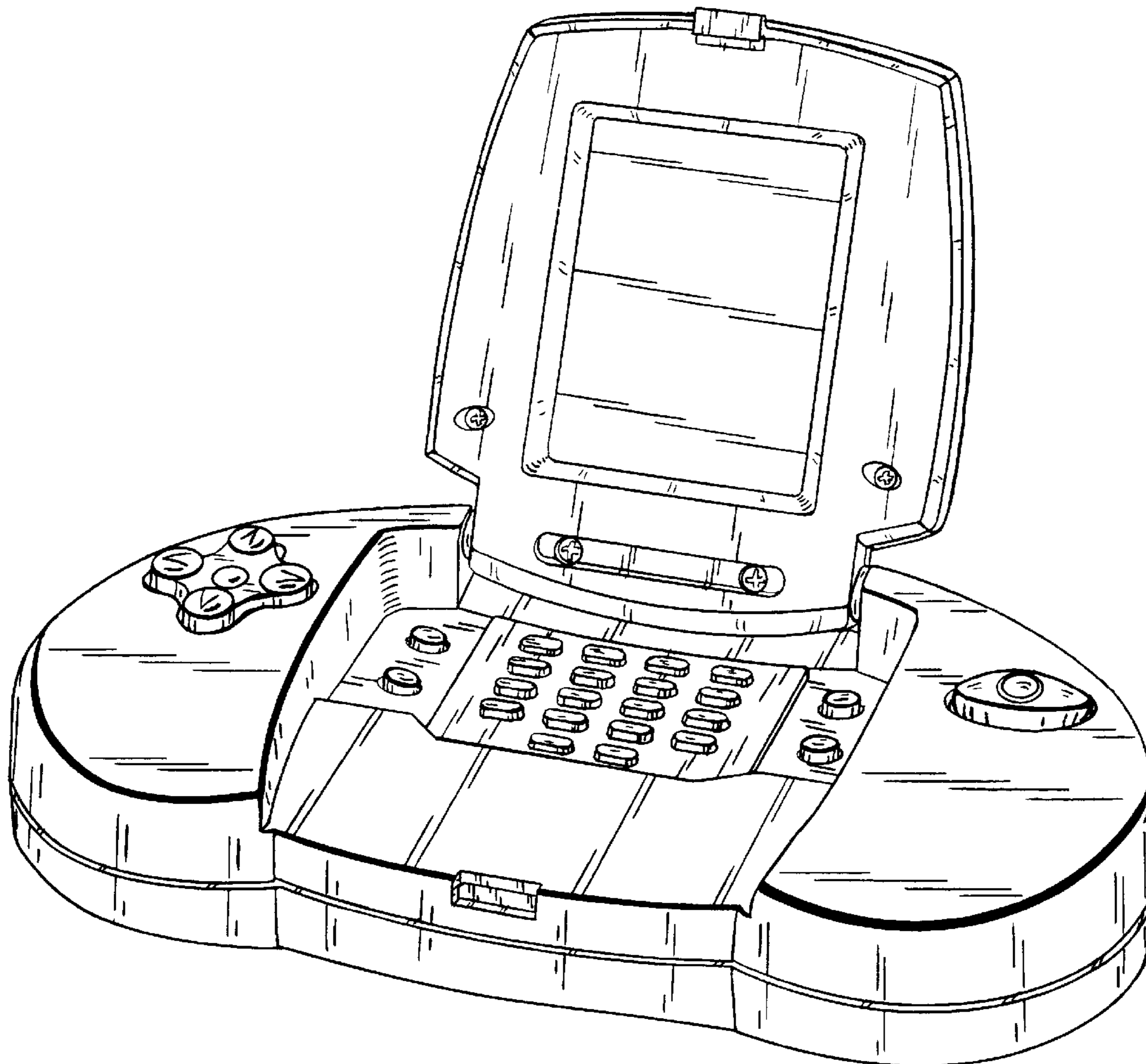
[57] **CLAIM**

The ornamental design for a portable interactive gaming and computing device, as shown and described.

DESCRIPTION

FIG. 1 is a perspective view of portable interactive gaming and computing device showing my new design; FIG. 2 is a top plan view thereof; FIG. 3 is bottom plan view thereof; FIG. 4 is a rear elevational view thereof; FIG. 5 is a front elevational view thereof; FIG. 6 is a left side elevational view thereof; and, FIG. 7 is right side elevational view thereof.

1 Claim, 7 Drawing Sheets



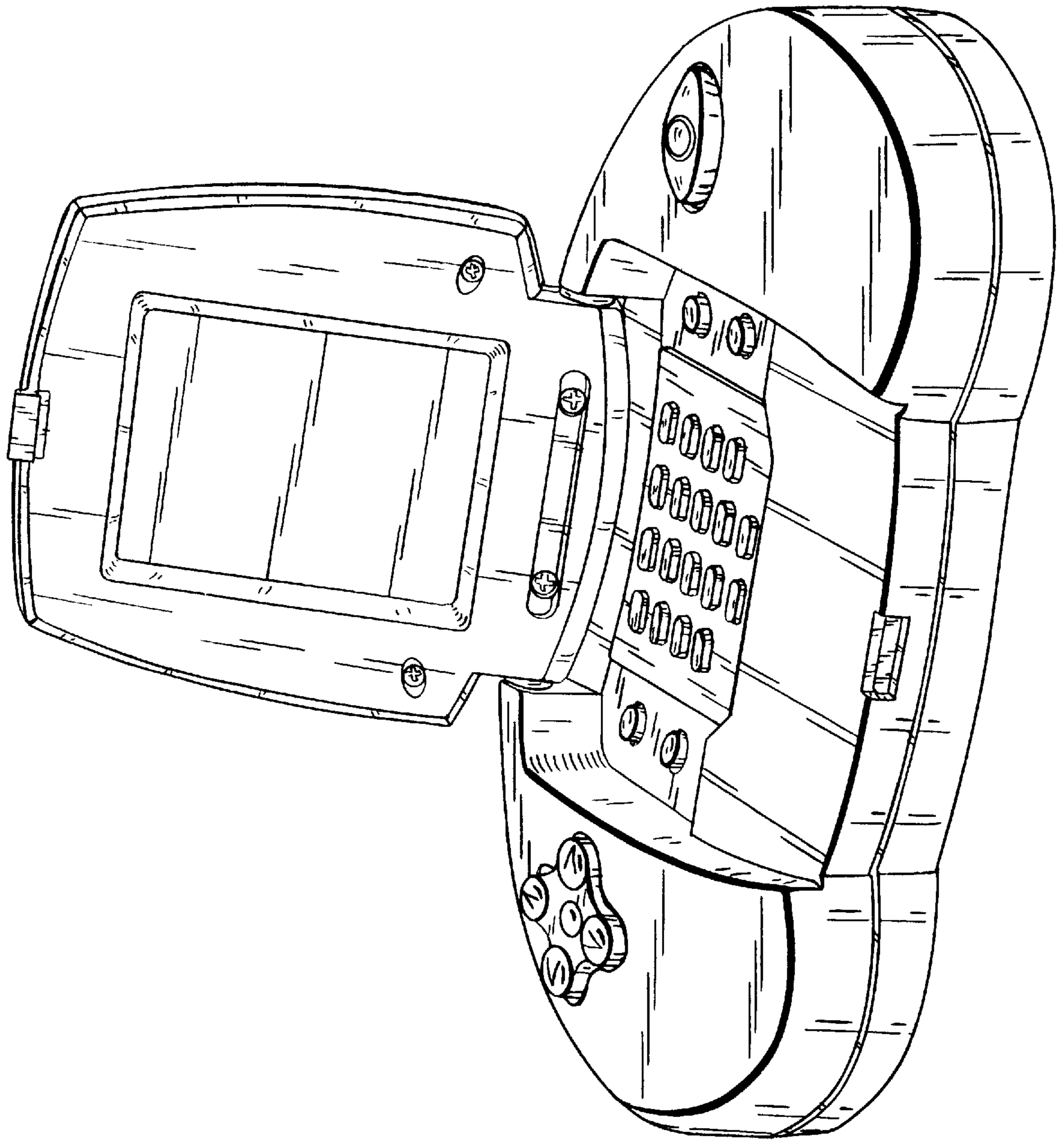


FIG.1

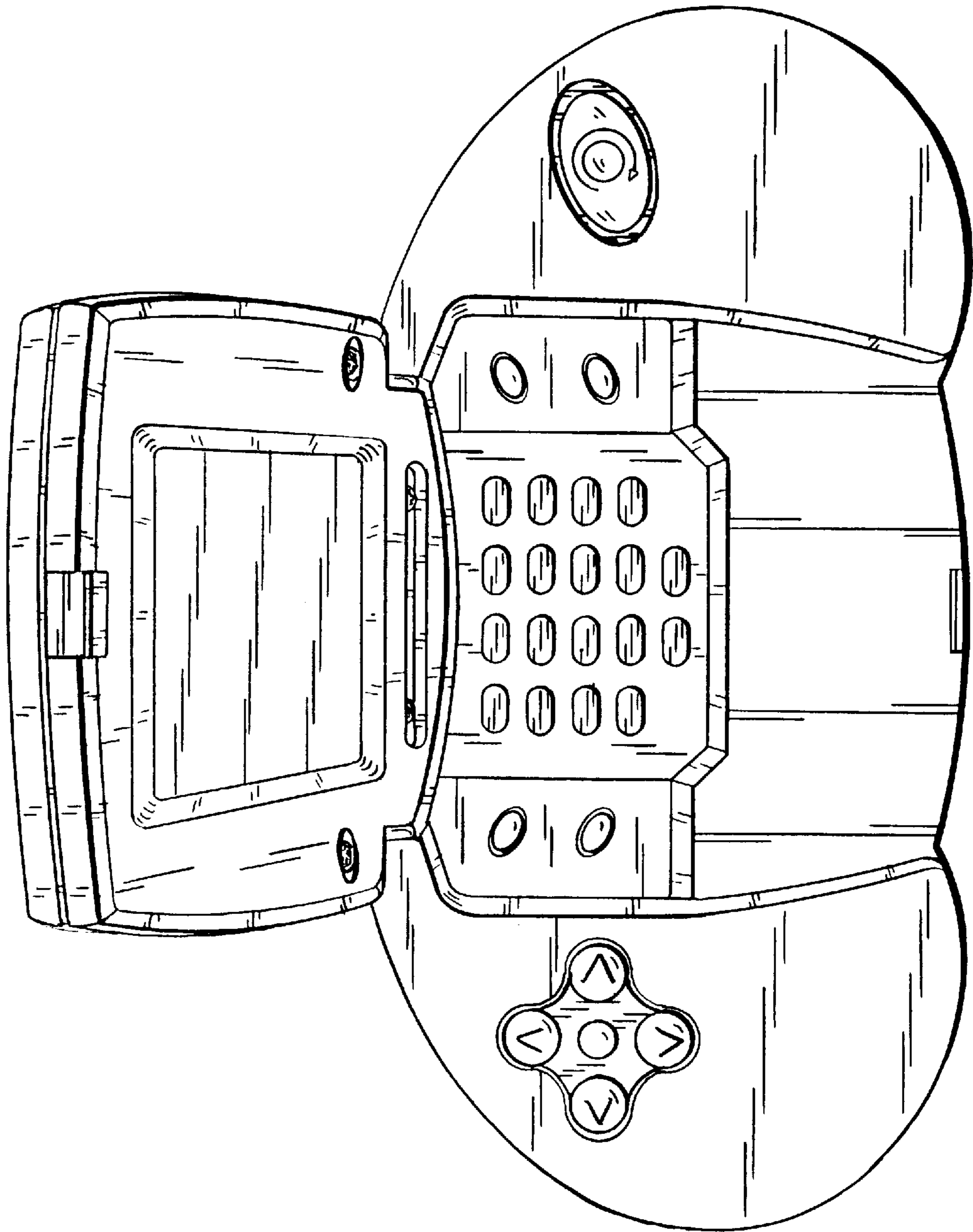


FIG. 2

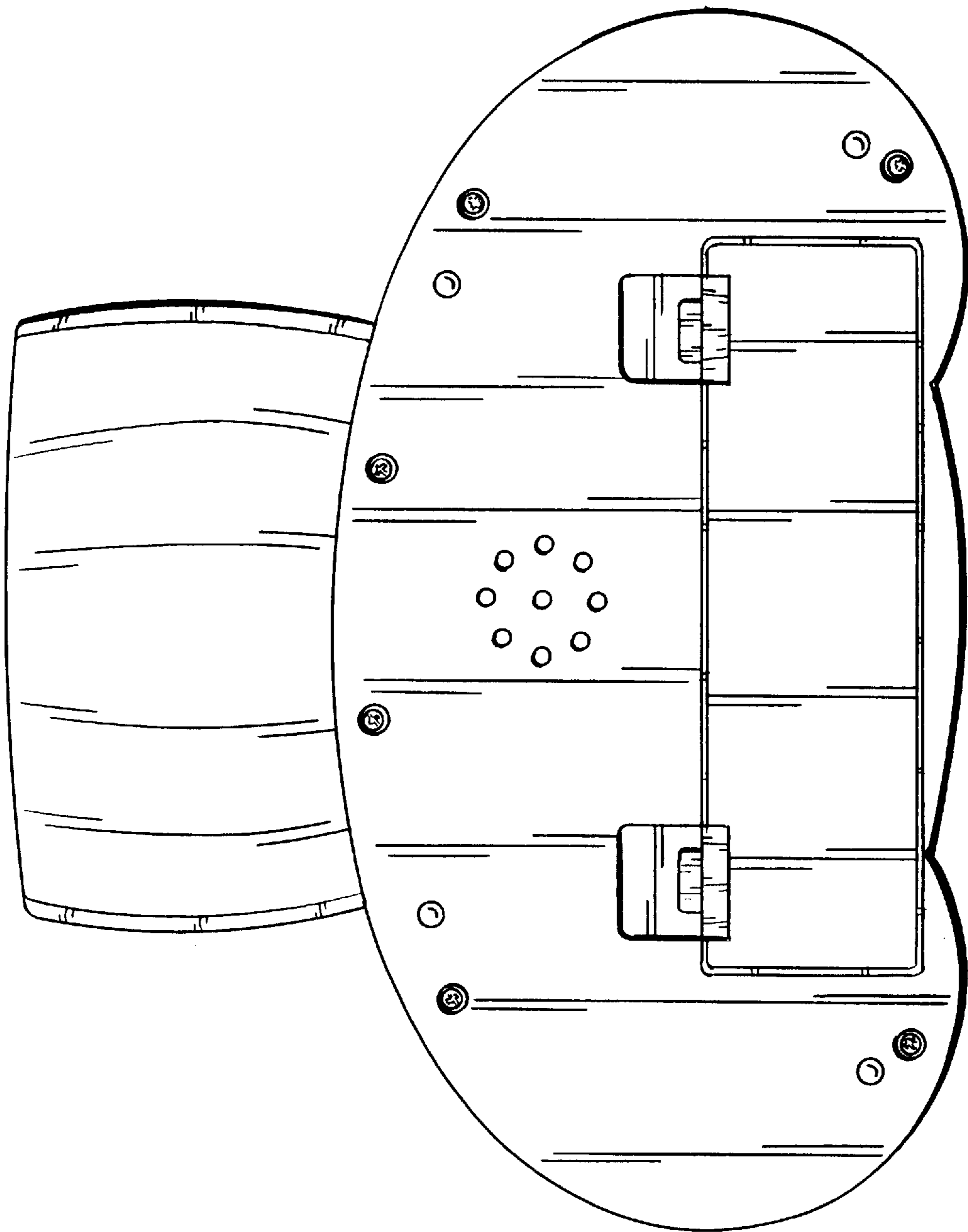


FIG. 3

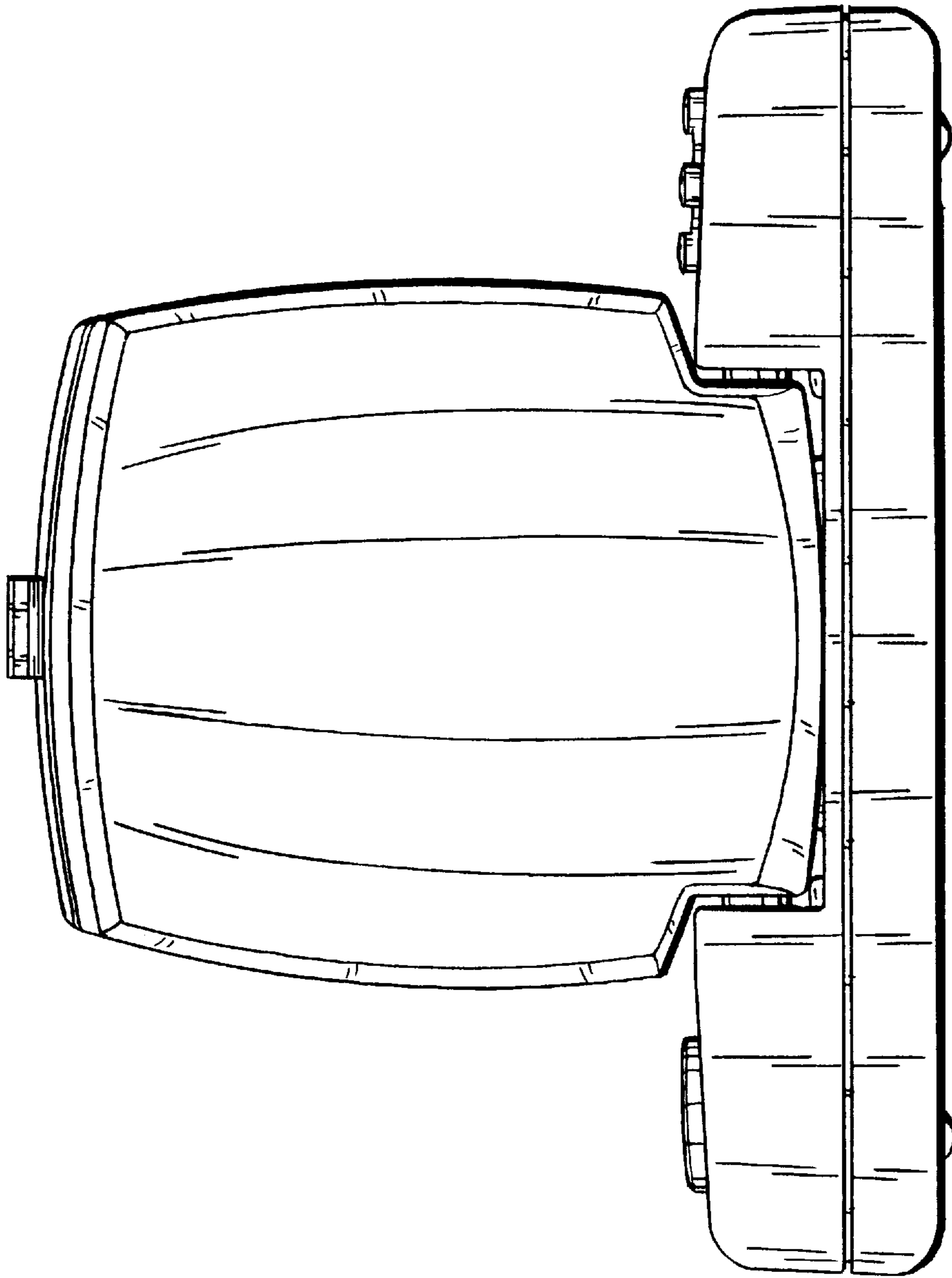


FIG. 4

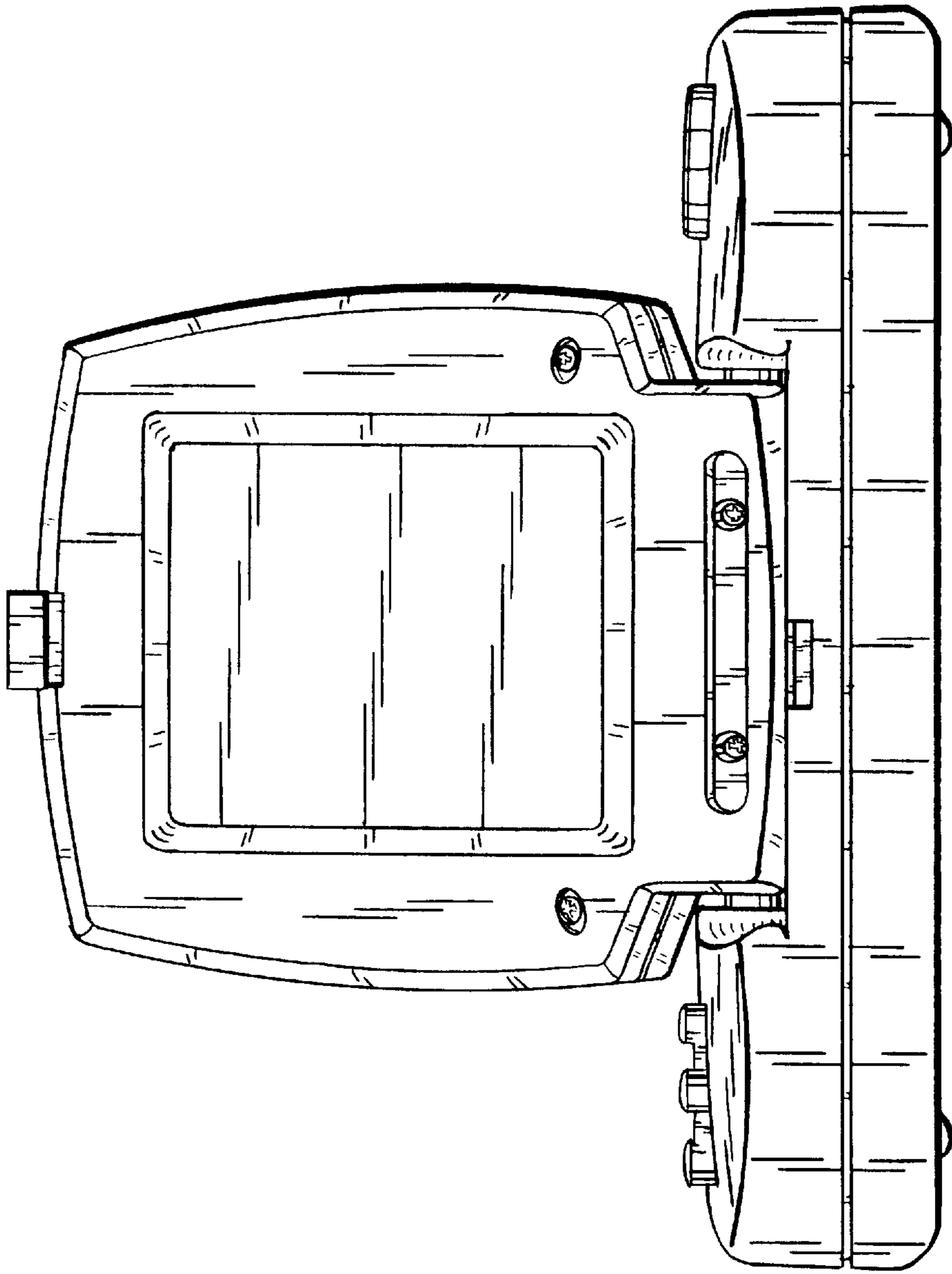


FIG. 5

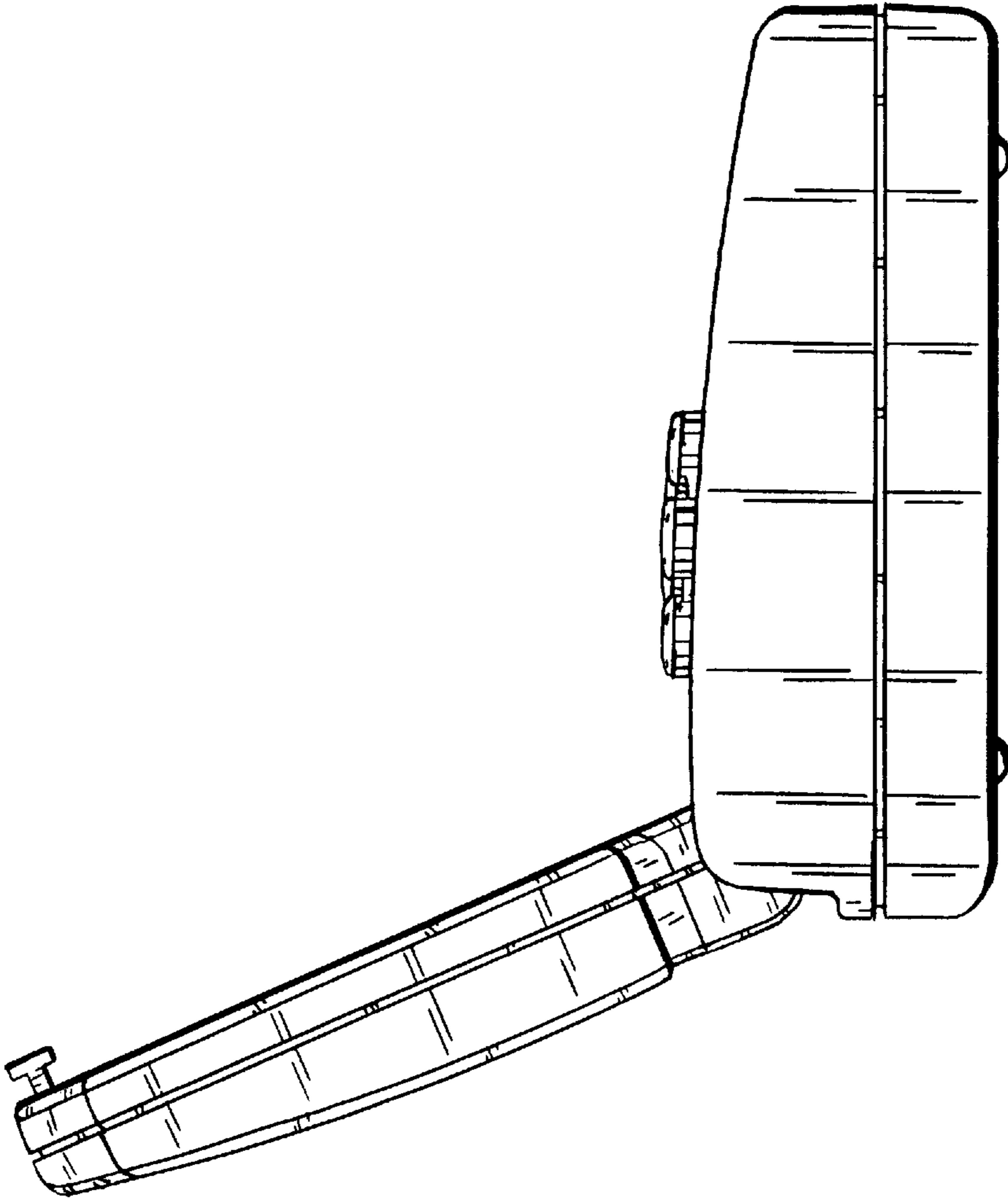


FIG. 6

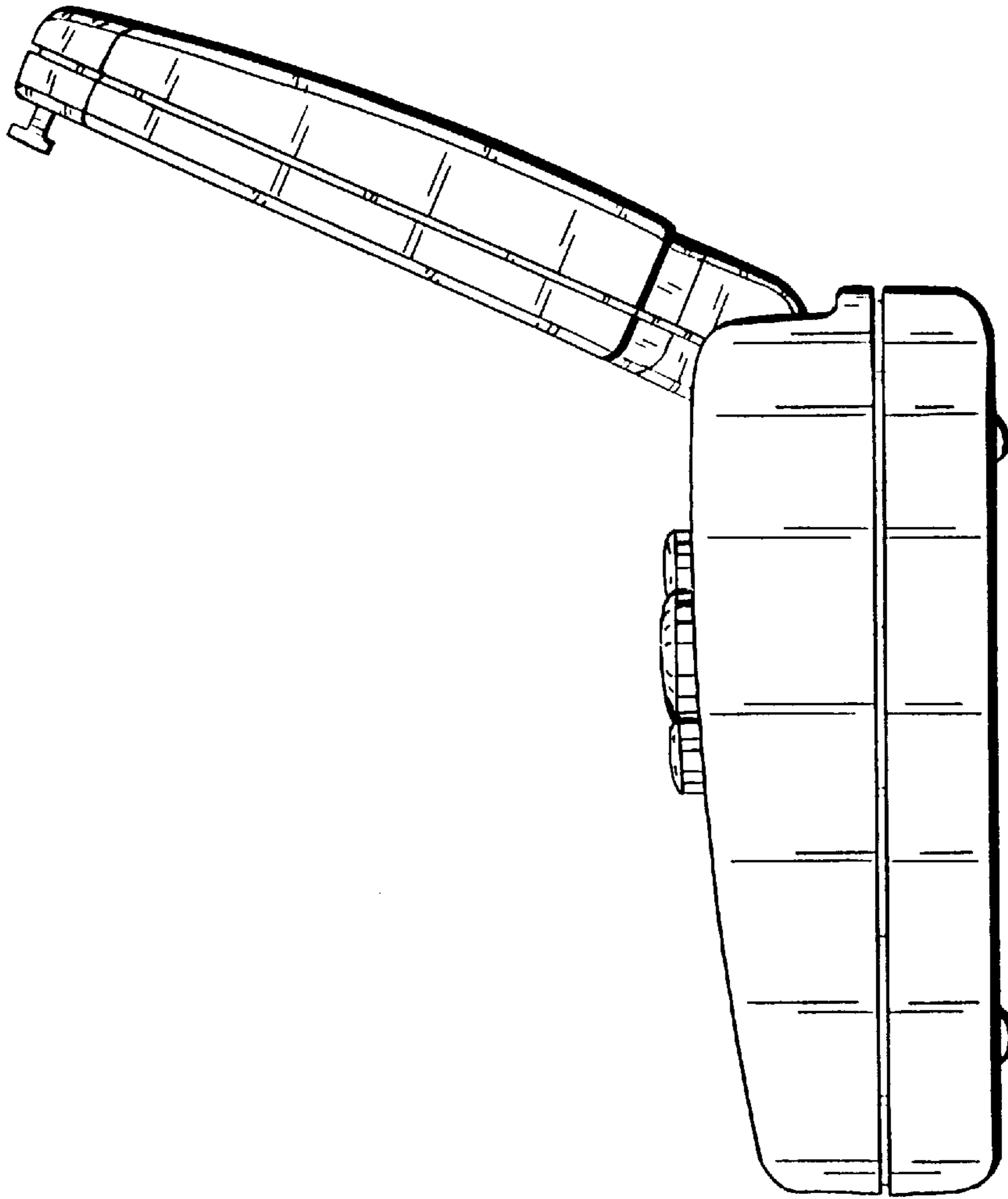


FIG. 7