



US00D402707S

**United States Patent** [19]  
**Shinzato**

[11] **Patent Number: Des. 402,707**  
[45] **Date of Patent: \*\*Dec. 15, 1998**

[54] **SIMULATION SKI GAME MACHINE**

[75] Inventor: **Yasunobu Shinzato**, Tokyo, Japan

[73] Assignee: **Sega Enterprises, Ltd.**, Tokyo, Japan

[\*\*] Term: **14 Years**

[21] Appl. No.: **67,701**

[22] Filed: **Mar. 6, 1997**

[30] **Foreign Application Priority Data**

Sep. 9, 1996 [JP] Japan ..... 8-26867

[51] **LOC (6) Cl.** ..... **21-01**

[52] **U.S. Cl.** ..... **D21/326**

[58] **Field of Search** ..... D21/1, 13, 11,  
D21/48, 224, 230, 240; 273/317.1, 352,  
118 R, 119 R, 120 A, 148 B; 463/1, 2,  
49, 50, 51, 30-36; 434/253, 247; 482/70,  
79, 146, 901

[56] **References Cited**

**U.S. PATENT DOCUMENTS**

D. 376,391 12/1996 Okumura ..... D21/13  
D. 380,779 7/1997 Shinzato ..... D21/13  
D. 383,169 9/1997 Shinzato ..... D21/13  
D. 386,217 11/1997 Okumura ..... D21/13

D. 386,796 11/1997 Komori ..... D21/13  
4,817,950 4/1989 Goo ..... 463/36  
5,049,079 9/1991 Furtado et al. .... 434/253  
5,233,810 8/1993 Pierce et al. .... 463/30 X  
5,713,794 2/1998 Shimojima et al. .... 463/31 X

**OTHER PUBLICATIONS**

Jet Wave Catalog, p. 134, Apr. 1996.  
Sega Enterprise Brochure, 1994.  
A catalog picture of "Alpine Racer" game machine, K.K. Namco, Feb. 1995.

*Primary Examiner*—Prabhakar G. Deshmukh  
*Attorney, Agent, or Firm*—Ladas & Parry

[57] **CLAIM**

The ornamental design for a simulation ski game machine, as shown and described.

**DESCRIPTION**

FIG. 1 is a front view of a simulation ski game machine showing my new design;  
FIG. 2 is a rear view thereof;  
FIG. 3 is a top view thereof;  
FIG. 4 is a bottom view thereof;  
FIG. 5 is a right side view thereof; and,  
FIG. 6 is a left side view thereof.

**1 Claim, 2 Drawing Sheets**

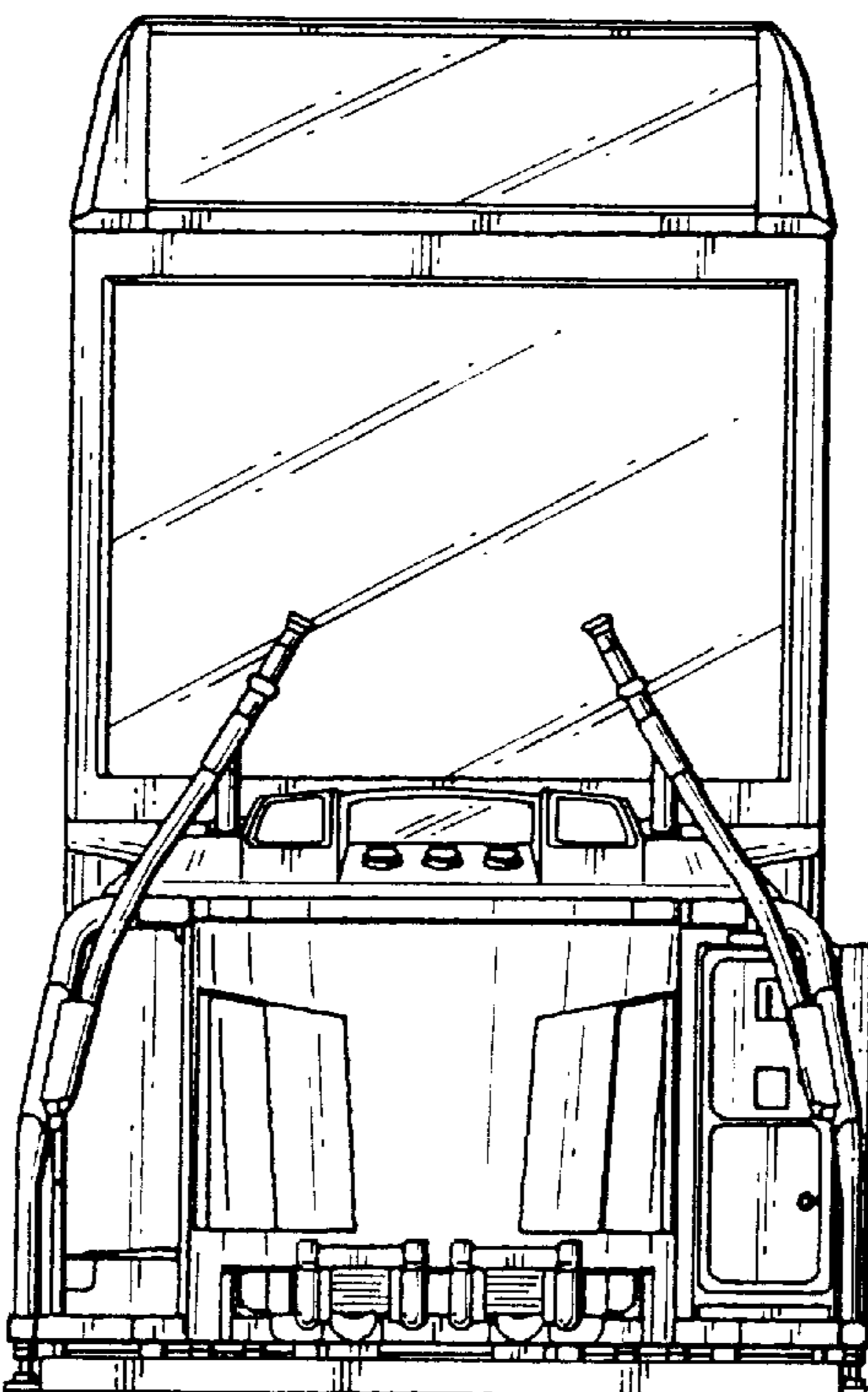


FIG. 1

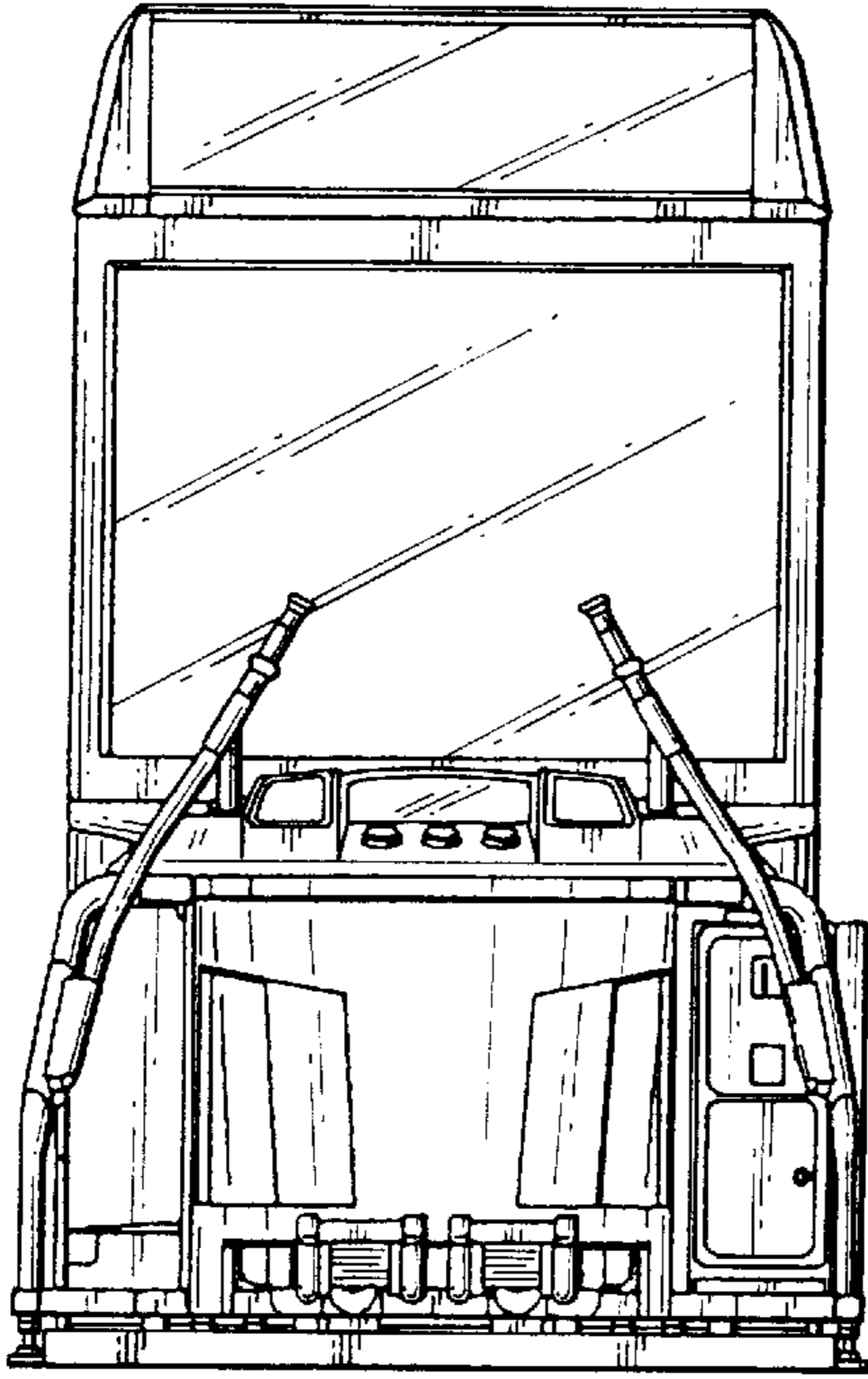


FIG. 2

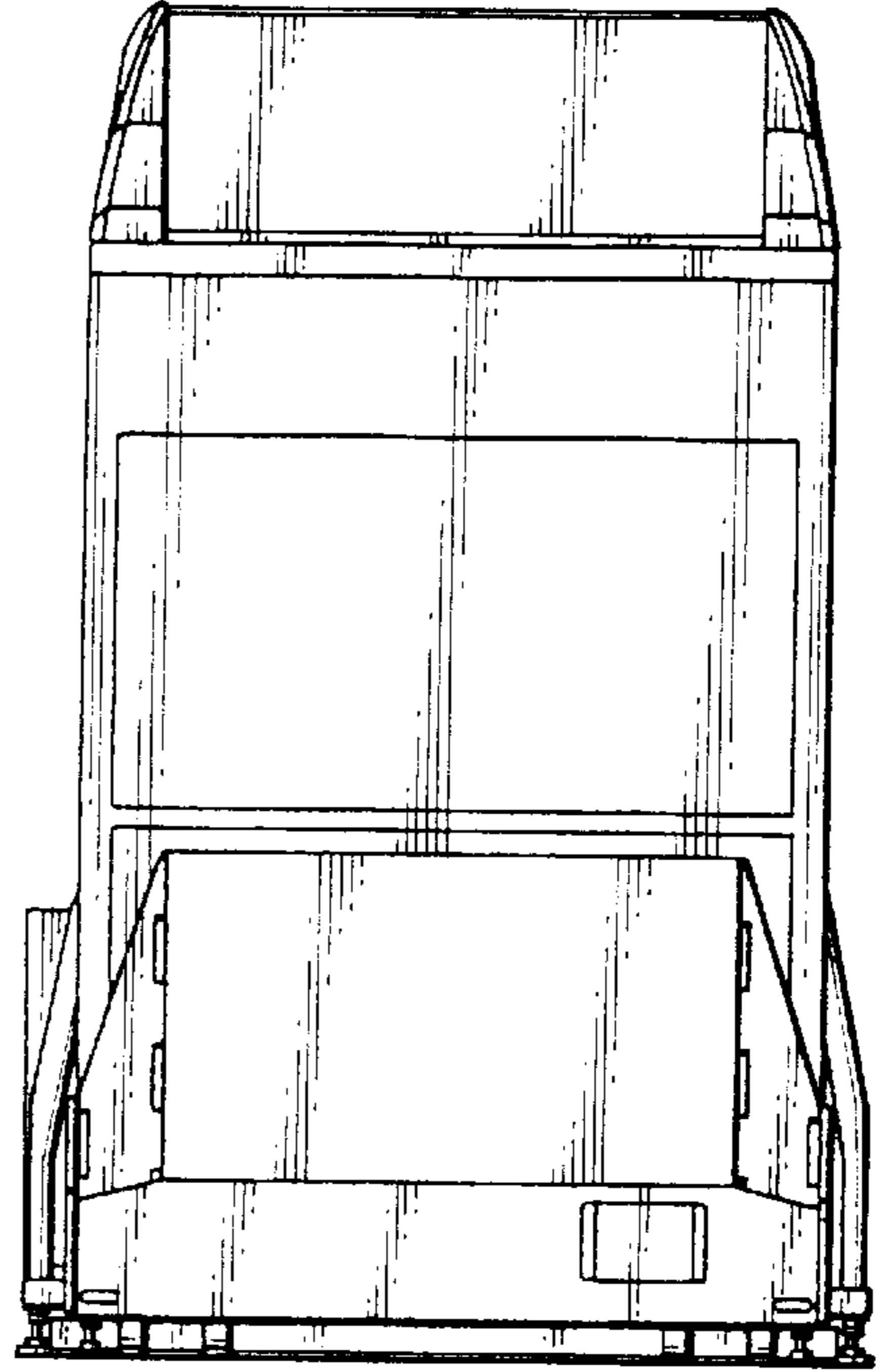


FIG. 3

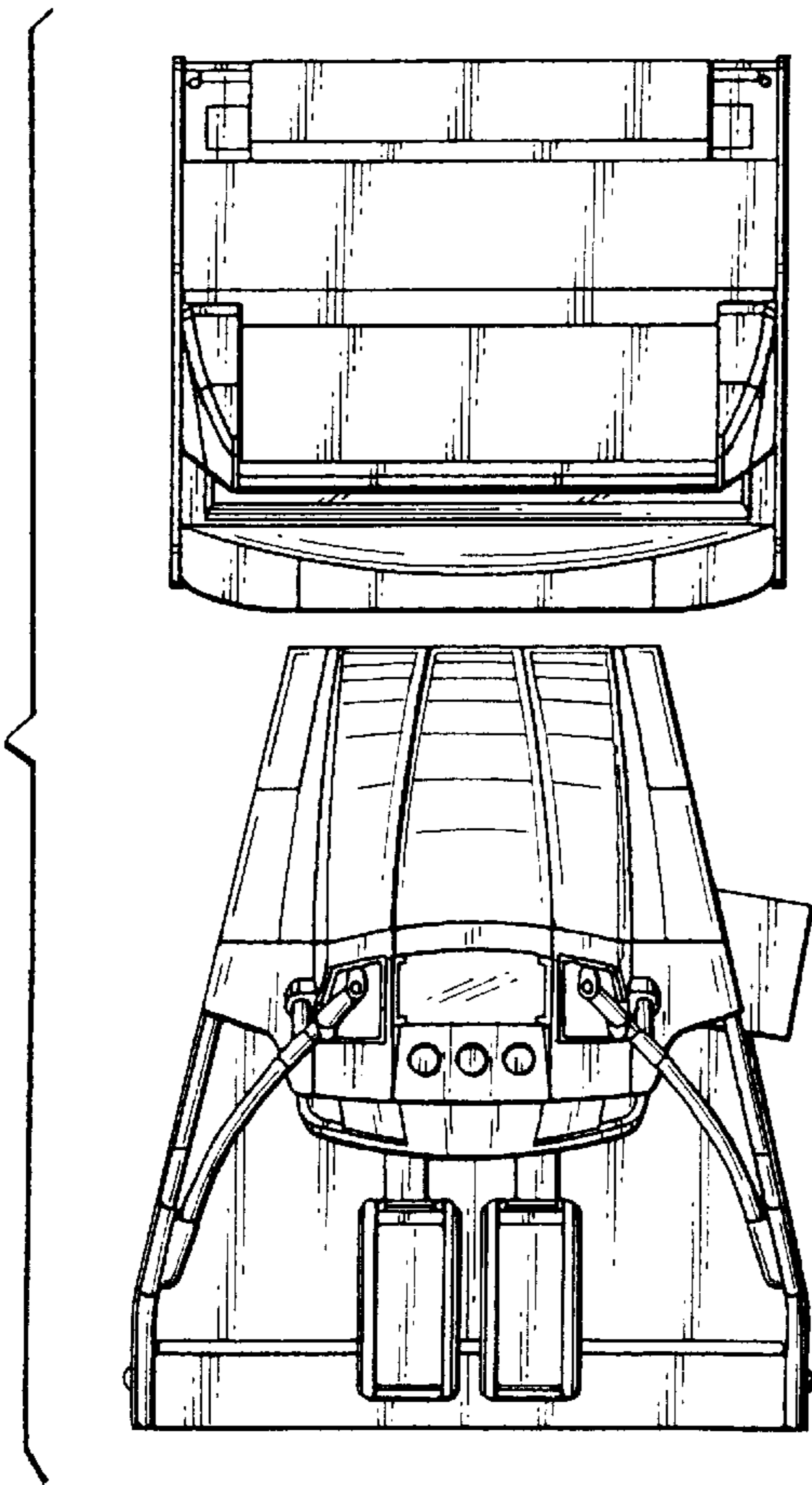


FIG. 4

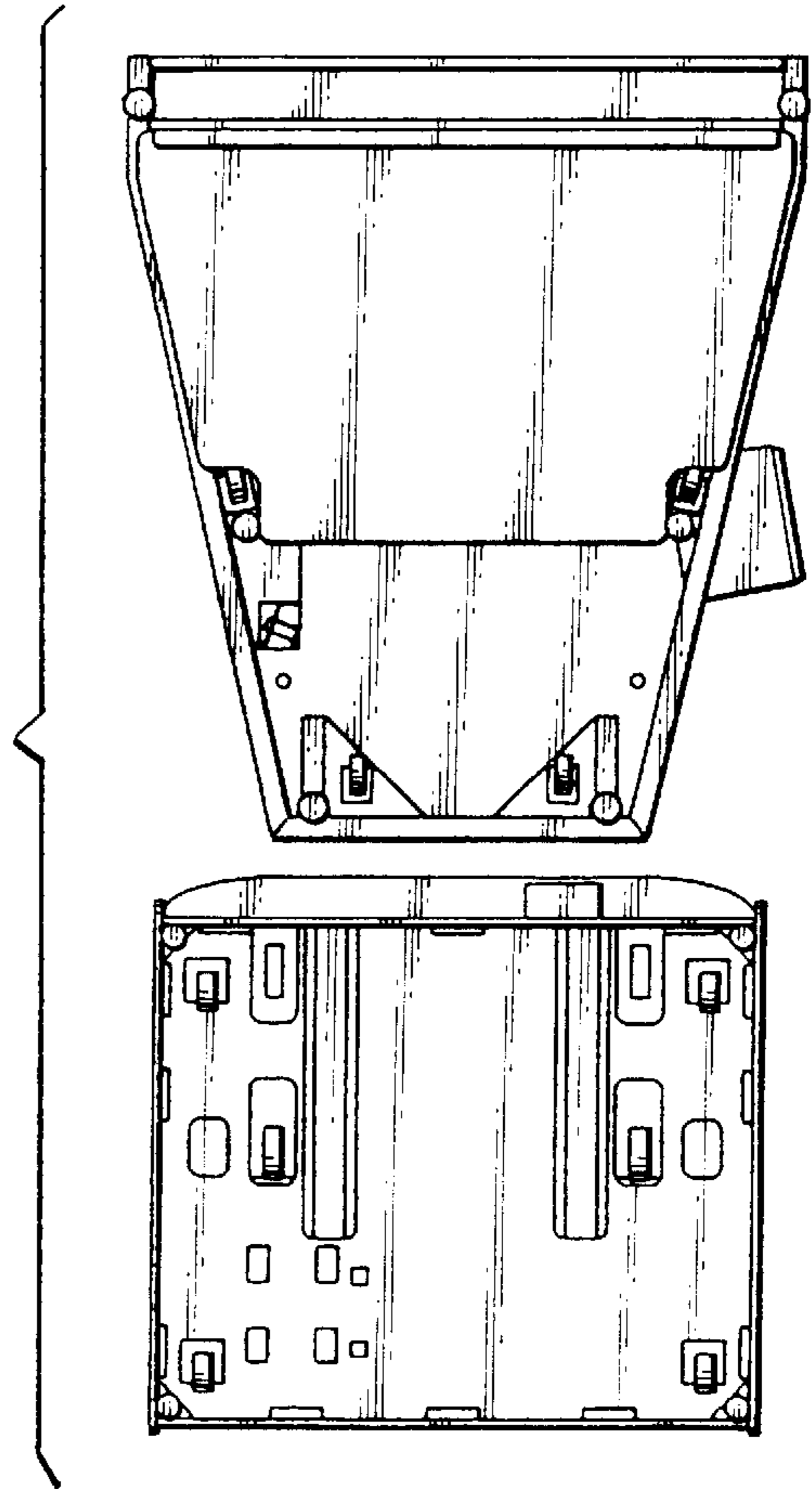


FIG. 5

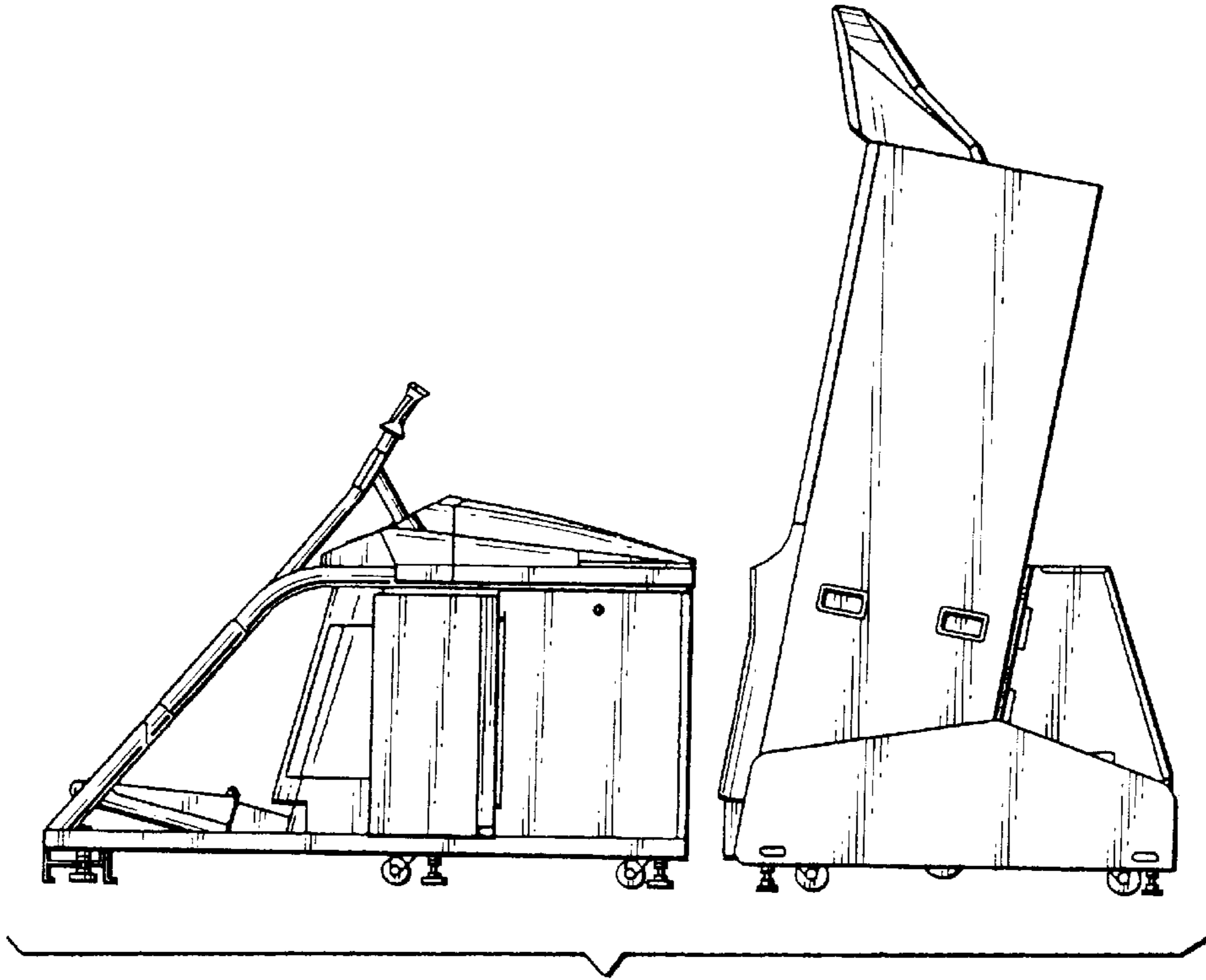


FIG. 6

