



US00D402706S

United States Patent [19] Meister

[11] Patent Number: Des. 402,706

[45] Date of Patent: **Dec. 15, 1998

[54] AMUSEMENT RIDE CAR

[75] Inventor: Michael L. Meister, Wichita, Kans.

[73] Assignee: Chance Industries, Inc., Wichita, Kans.

[**] Term: 14 Years

[21] Appl. No.: 78,443

[22] Filed: Oct. 24, 1997

[51] LOC (6) Cl. 21-03

[52] U.S. Cl. D21/247; D21/242

[58] Field of Search D21/242, 247, D21/248, 249; 472/29-47

[56] References Cited

U.S. PATENT DOCUMENTS

D. 285,330	8/1986	Okamoto	D21/242
1,599,014	9/1926	Hunter	.	
2,046,678	7/1936	Eyerly	.	
2,229,966	1/1941	Eyerly	.	
2,562,324	7/1951	McBride	.	
4,410,173	10/1983	Böhme	.	

FOREIGN PATENT DOCUMENTS

639 396 A1	2/1995	European Pat. Off.	.
34 40 728 A1	5/1986	Germany	.
42 44 402 A1	6/1994	Germany	.
850 0983	11/1986	Netherlands	.

OTHER PUBLICATIONS

Falling Star ride at Adventure World; web site: www.adventureworld.com/rides.html, date unknown.

Flip-out ride at Enchanted Forest; web site: www.geocities.com/EnchantedForest/6831/flipout.html, date unknown.

Hammerhead at Enchanted Forest; web site: www.geocities.com/EnchantedForest/6831/hammerhead.html, date unknown.

Brochure of Soriani & Moser, Super Loop; Date unknown. Brochure: Highflyer; Date unknown.

Brochure: Ali Baba, Arabian Nights by A.R.M.; Date unknown.

Brochure: Mixer by Zamperla; Date unknown.

Brochure: Topspin by Huss Maschinenfabrik; Date unknown.

Brochure: RotoShake by Zamperla; Date unknown.

Primary Examiner—Ted Shooman

Assistant Examiner—Mitchell I. Siegel

Attorney, Agent, or Firm—Shook, Hardy & Bacon L.L.P.

[57] CLAIM

The ornamental design for an amusement ride car, as shown and described.

DESCRIPTION

FIG. 1 is a top perspective view of an amusement ride car showing my new design;

FIG. 2 is a side elevational view of one side of the amusement ride car shown in FIG. 1;

FIG. 3 is a side elevational view of the other side of the amusement ride car shown in FIG. 1;

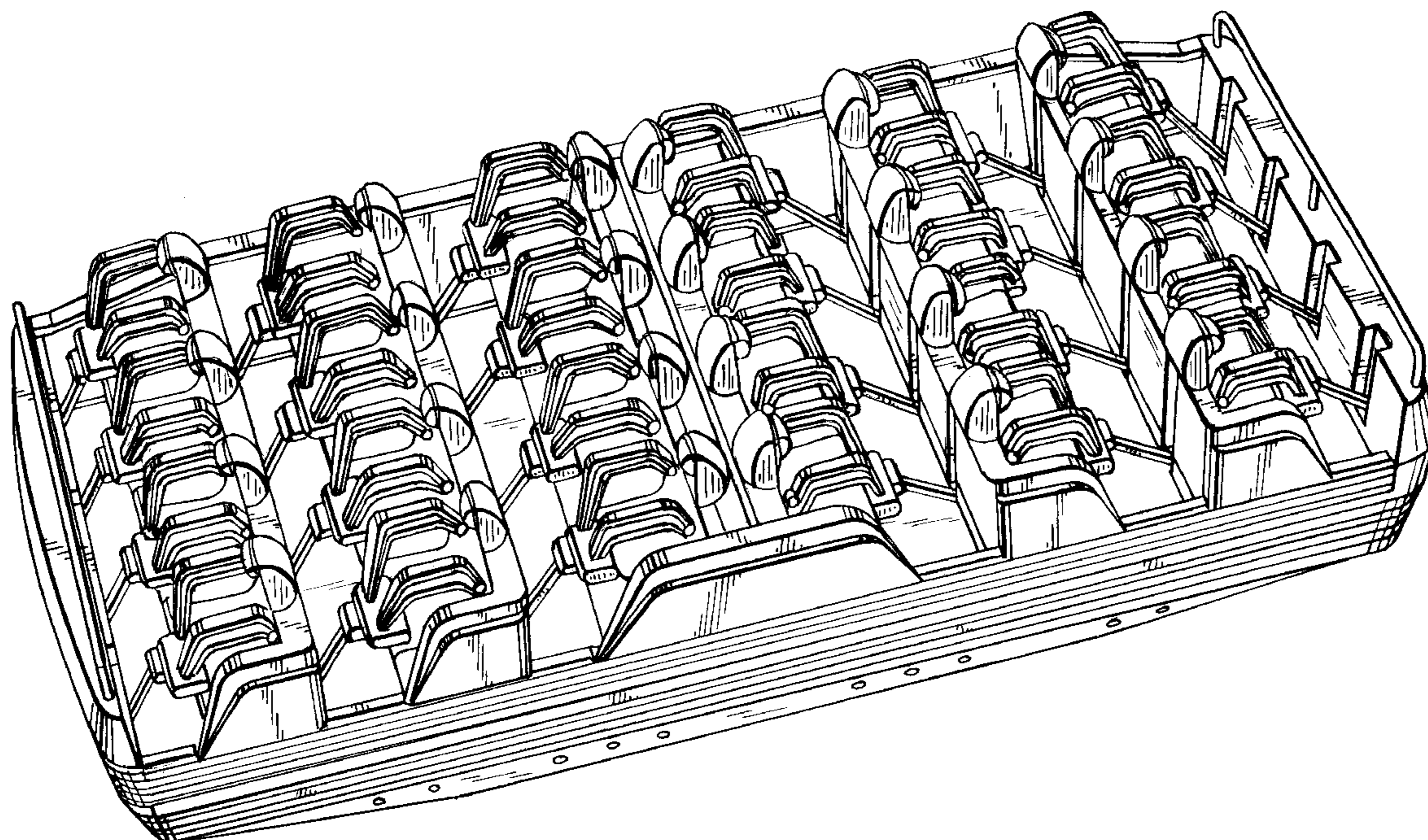
FIG. 4 is a top plan view of the amusement ride car shown in FIG. 1;

FIG. 5 is a bottom plan view of the amusement ride car shown in FIG. 1; and,

FIG. 6 is an end view of one side of the amusement ride car shown in FIG. 1, the other side being a mirror image thereof.

The broken line showing of a mounting area in FIG. 3 is for illustrative purposes and forms no part of the claimed design.

1 Claim, 3 Drawing Sheets



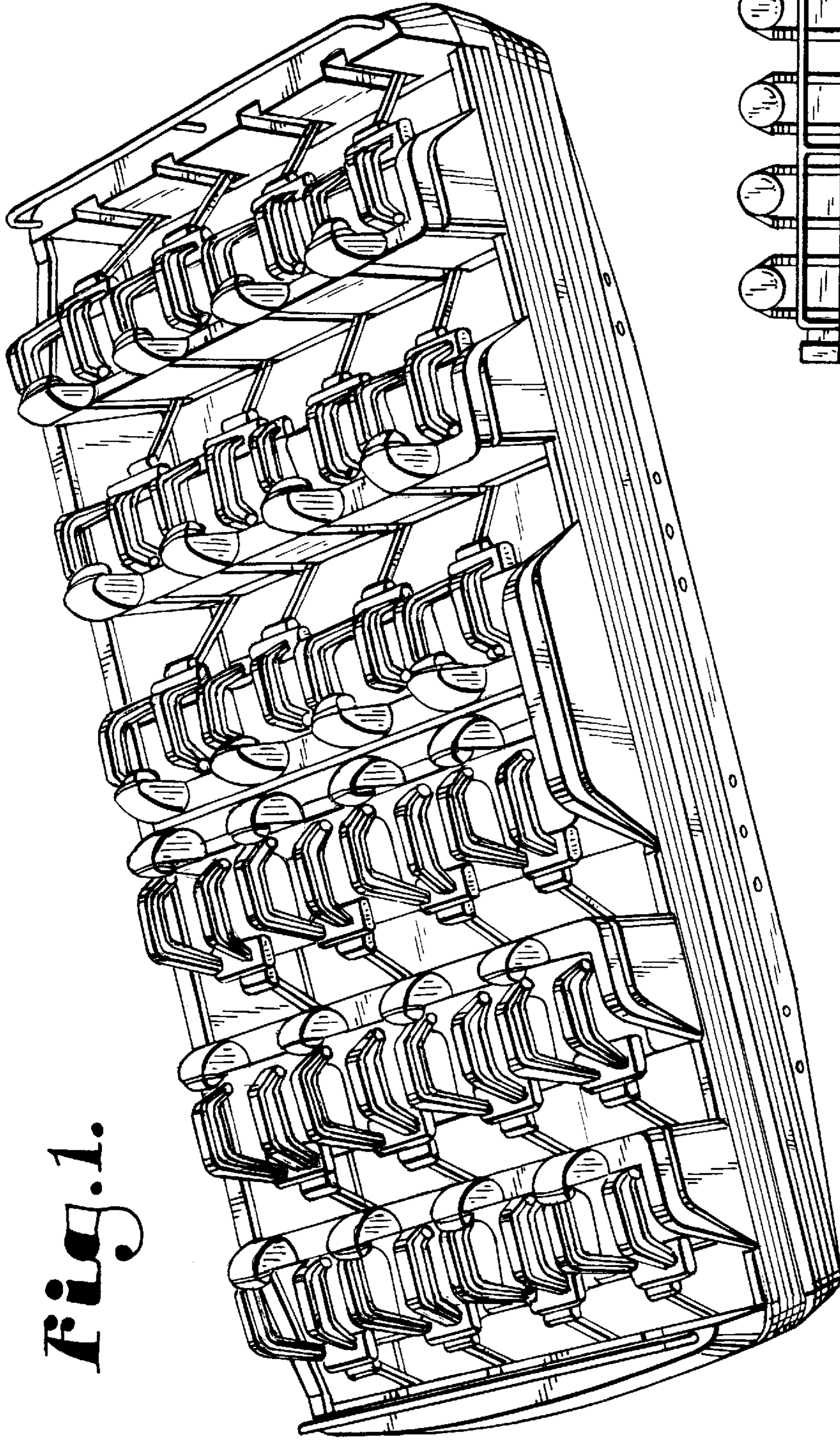


Fig. 1.

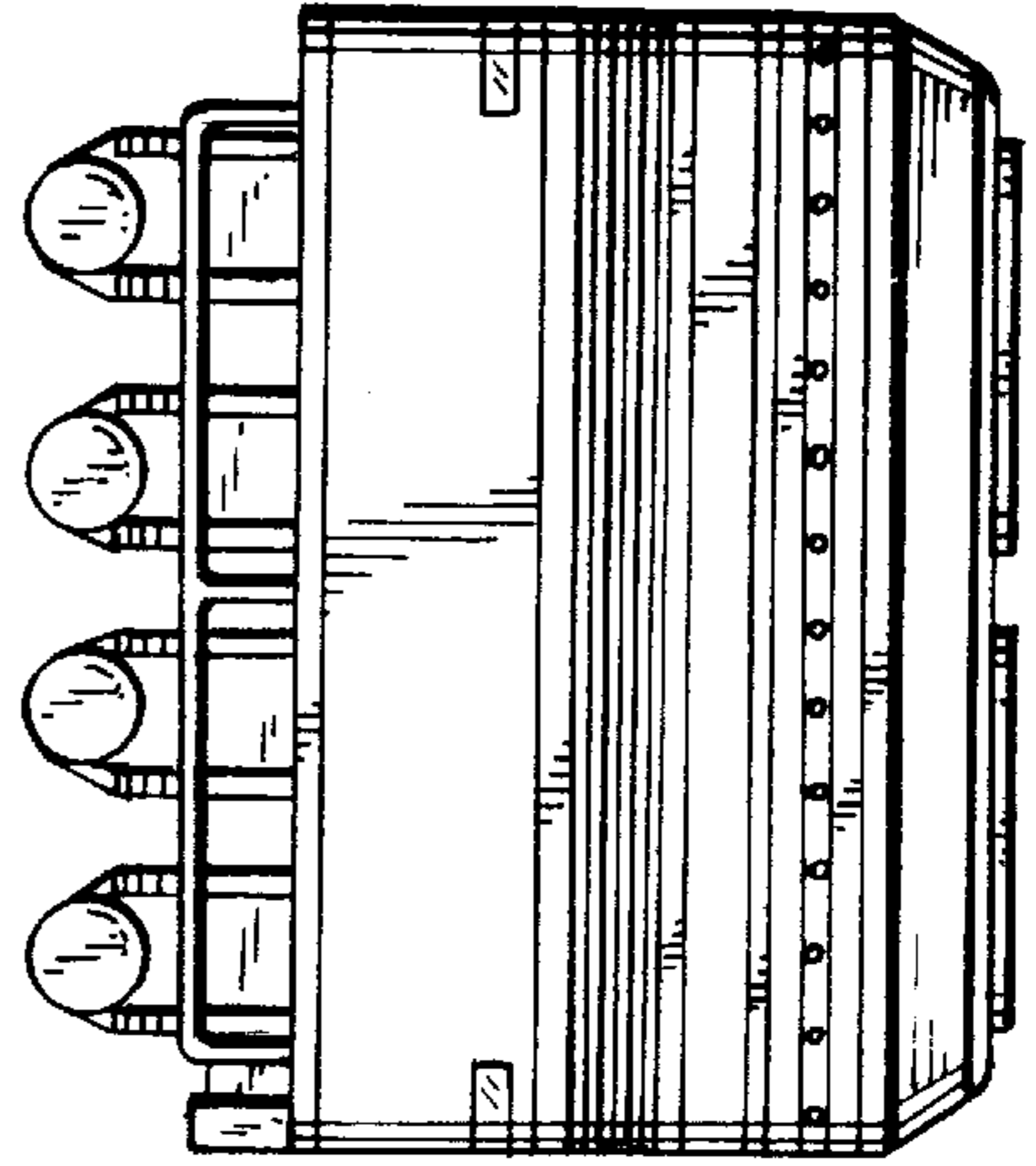


Fig. 6.

Fig. 2.

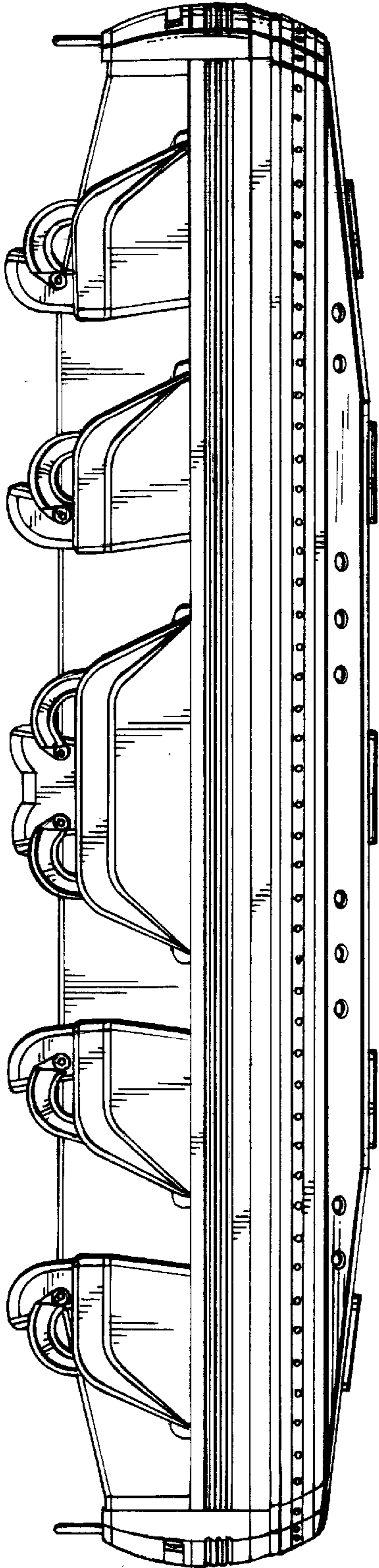
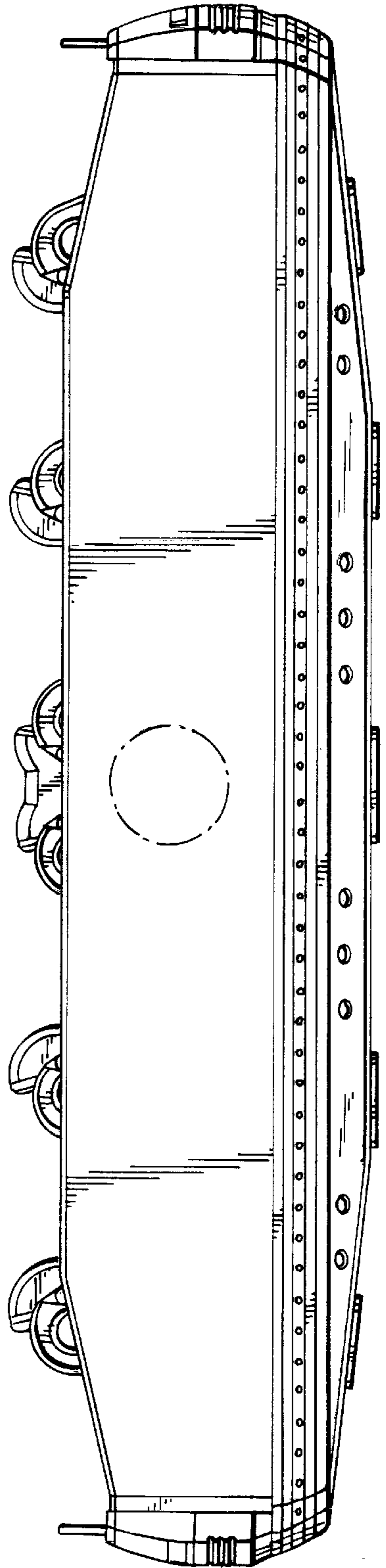


Fig. 3.



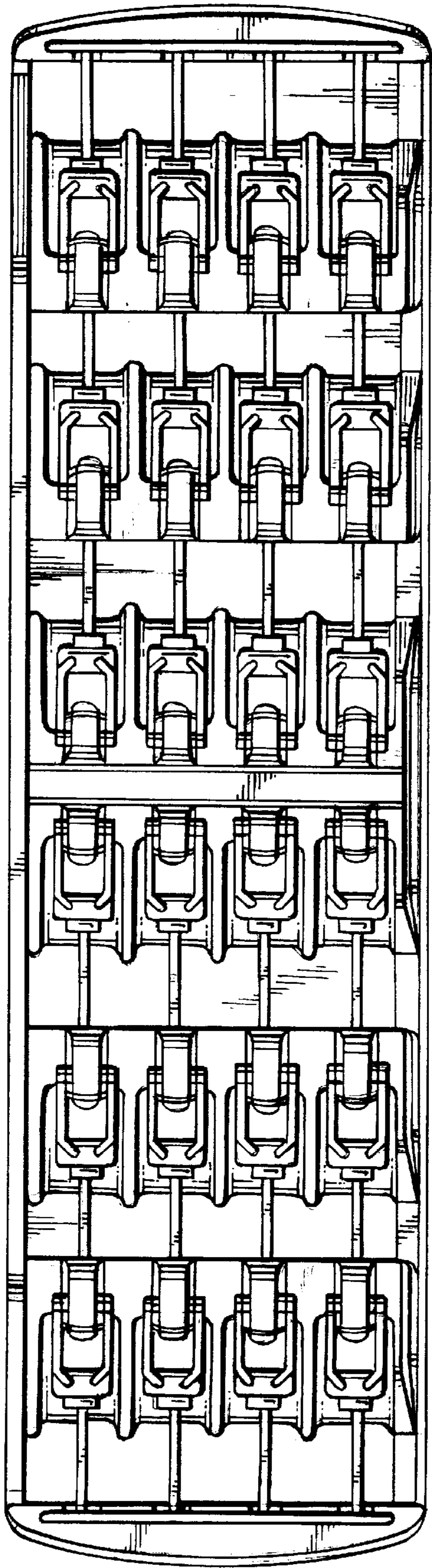


Fig. 4.

Fig. 5.

