



US00D402701S

United States Patent [19]
McMillan

[11] **Patent Number: Des. 402,701**

[45] **Date of Patent: **Dec. 15, 1998**

[54] **SIGN**

[75] **Inventor: Kevin K. McMillan**, Oklahoma City, Okla.

[73] **Assignee: America's Drive-In Trust**, Reno, Nev.

[**] **Term: 14 Years**

[21] **Appl. No.: 73,413**

[22] **Filed: Jul. 8, 1997**

[51] **LOC (6) Cl. 20-02**

[52] **U.S. Cl. D20/41**

[58] **Field of Search** D25/126, 127;
D9/109; D20/10, 39, 41, 22, 23; 40/584,
299, 611, 607, 606, 624

[56] **References Cited**

U.S. PATENT DOCUMENTS

- D. 202,326 9/1965 Doss D20/41
- D. 236,657 9/1975 Reeves D20/22 X

Primary Examiner—Susan J. Lucas
Assistant Examiner—Jennifer Rivard
Attorney, Agent, or Firm—Bill D. McCarthy; Randall K. McCarthy; Phillip L. Free, Jr.

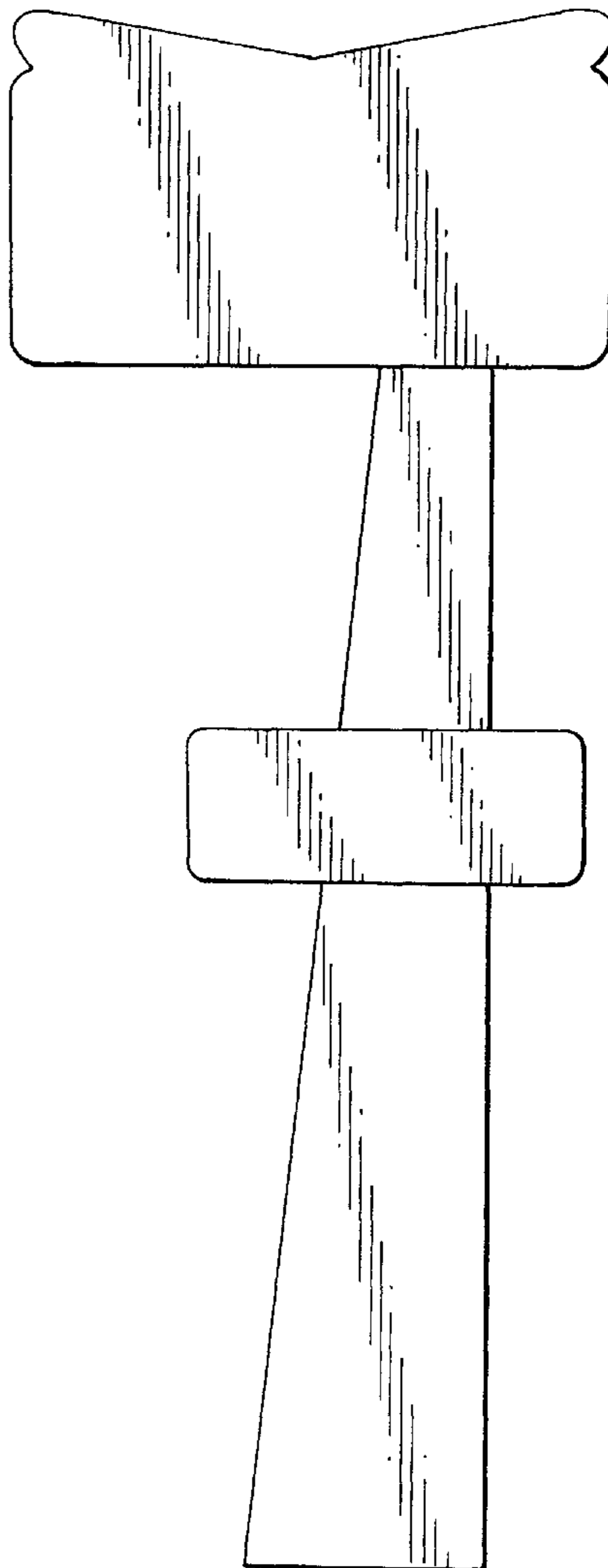
[57] **CLAIM**

The ornamental design for a sign, as shown and described.

DESCRIPTION

FIG. 1 is a front elevational view of a first embodiment of a sign showing my new design;
FIG. 2 is a rear elevational view of the first embodiment thereof;
FIG. 3 is a left-side elevational view of the first embodiment thereof;
FIG. 4 is a right-side elevational view of the first embodiment thereof;
FIG. 5 is a top plan view of the first embodiment thereof; and,
FIG. 6 is a bottom plan view of the first embodiment thereof.

1 Claim, 2 Drawing Sheets



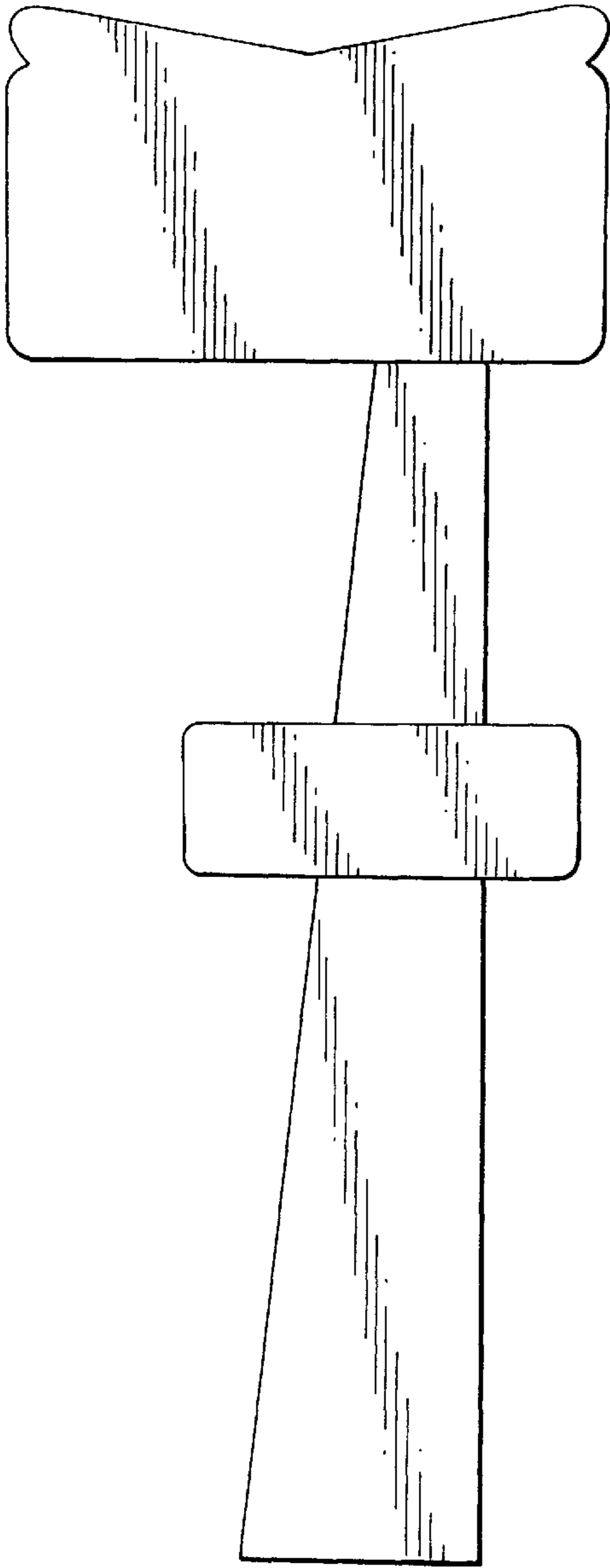


FIG. 1

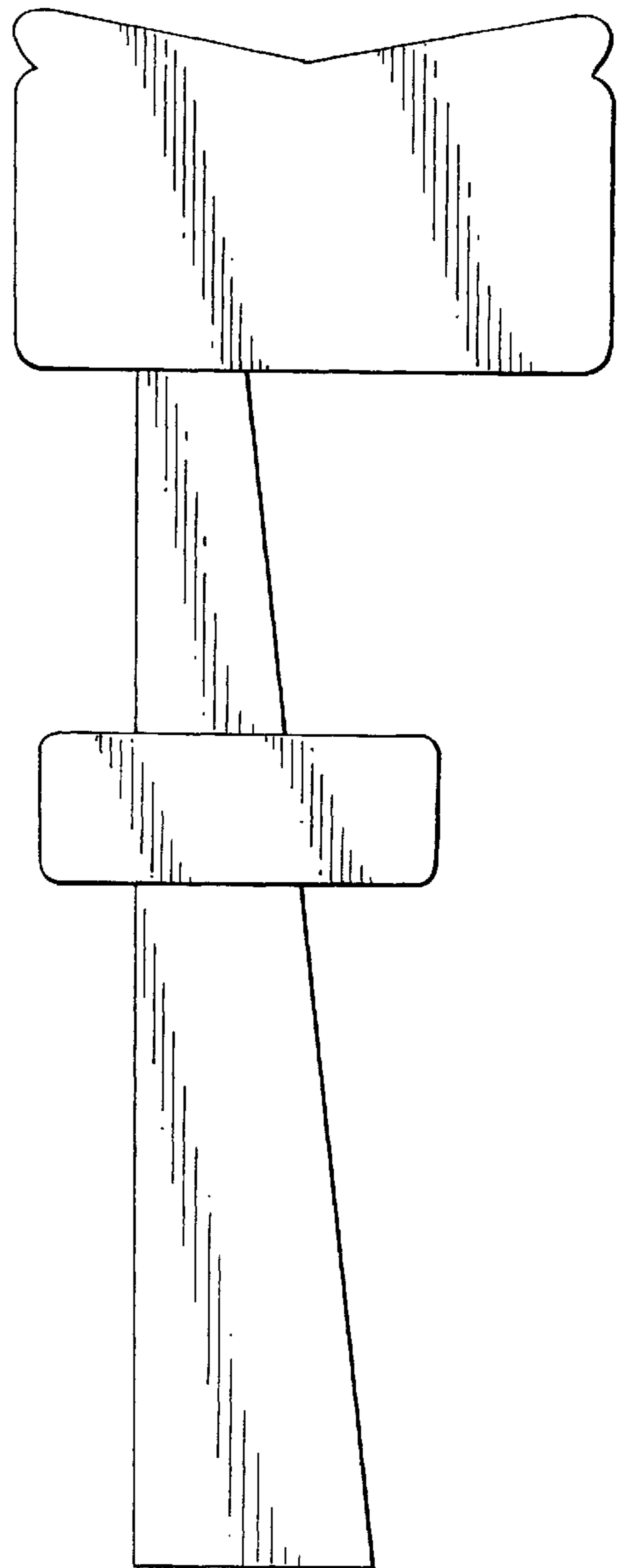


FIG. 2

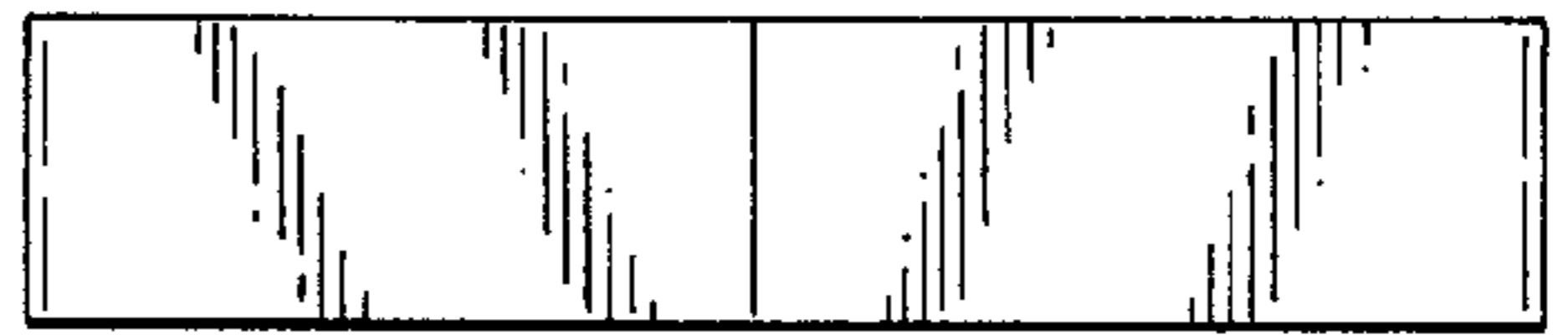
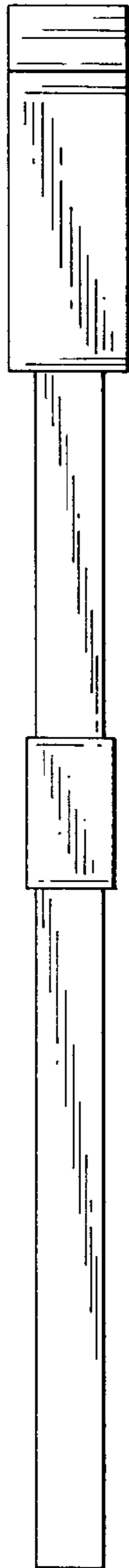
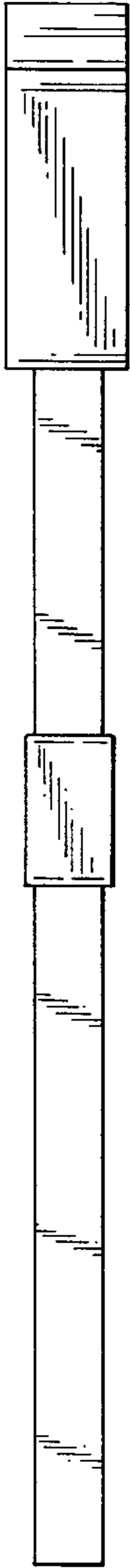


FIG. 5

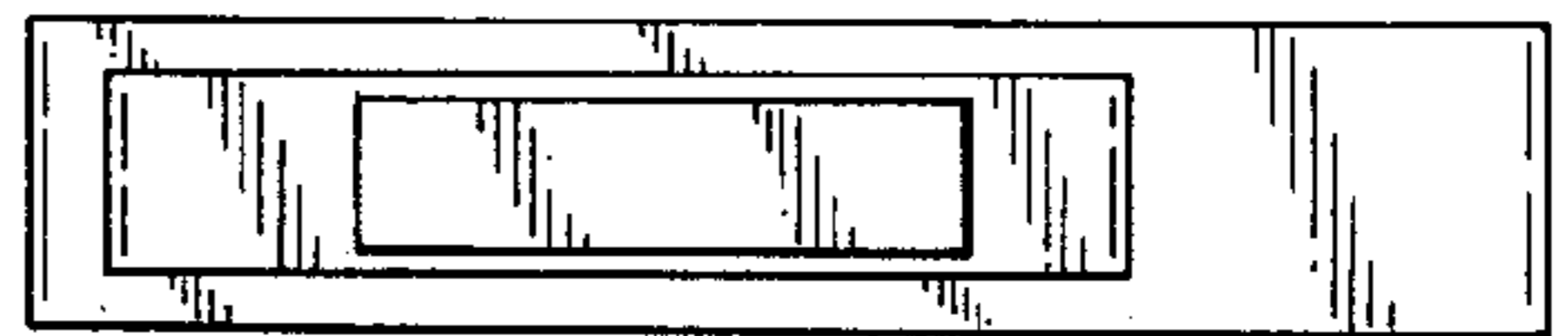


FIG. 6

FIG. 3 FIG. 4