



US00D402700S

**United States Patent** [19]  
**Patterson**

[11] **Patent Number: Des. 402,700**

[45] **Date of Patent: \*\*Dec. 15, 1998**

[54] **DENTAL MODEL**

[76] Inventor: **Doinice M Patterson**, 1001 W.  
Pasadena, Flint, Mich. 48504

[\*\*] Term: **14 Years**

[21] Appl. No.: **84,224**

[22] Filed: **Feb. 26, 1998**

[51] **LOC (6) Cl. .... 26-03**

[52] **U.S. Cl. .... D20/29; D26/94; D20/32;  
D19/62**

[58] **Field of Search .... D20/10, 29-33;  
D21/52, 155, 166, 189; D26/32, 4, 94,  
73; D11/157; D9/314; 362/811, 812, 806,  
808, 125; 434/263; D19/62**

[56] **References Cited**

**U.S. PATENT DOCUMENTS**

D. 109,393	4/1938	Dodd	.....	D21/155	X
D. 285,708	9/1986	Shroeder	.....	D21/155	
D. 380,376	7/1997	Reinhardt	.....	D9/314	
1,048,382	12/1912	Allen	.....	434/263	

*Primary Examiner*—Susan J. Lucas  
*Assistant Examiner*—Jennifer Rivard

[57] **CLAIM**

The ornamental design for a dental model, as shown and described.

**DESCRIPTION**

FIG. 1 is a front elevational view of the dental model of the present invention;  
FIG. 2 is a back elevational view of the dental model of FIG. 1;  
FIG. 3 is a left side elevational view of the dental model of FIG. 1;  
FIG. 4 is a right side elevational view of the dental model of FIG. 1;  
FIG. 5 is a top plan view of the dental model of FIG. 1;  
FIG. 6 is a bottom plan view of the dental model of FIG. 1;  
and,  
FIG. 7 is a top, front, right side view of the dental model shown in an open position.

**1 Claim, 3 Drawing Sheets**

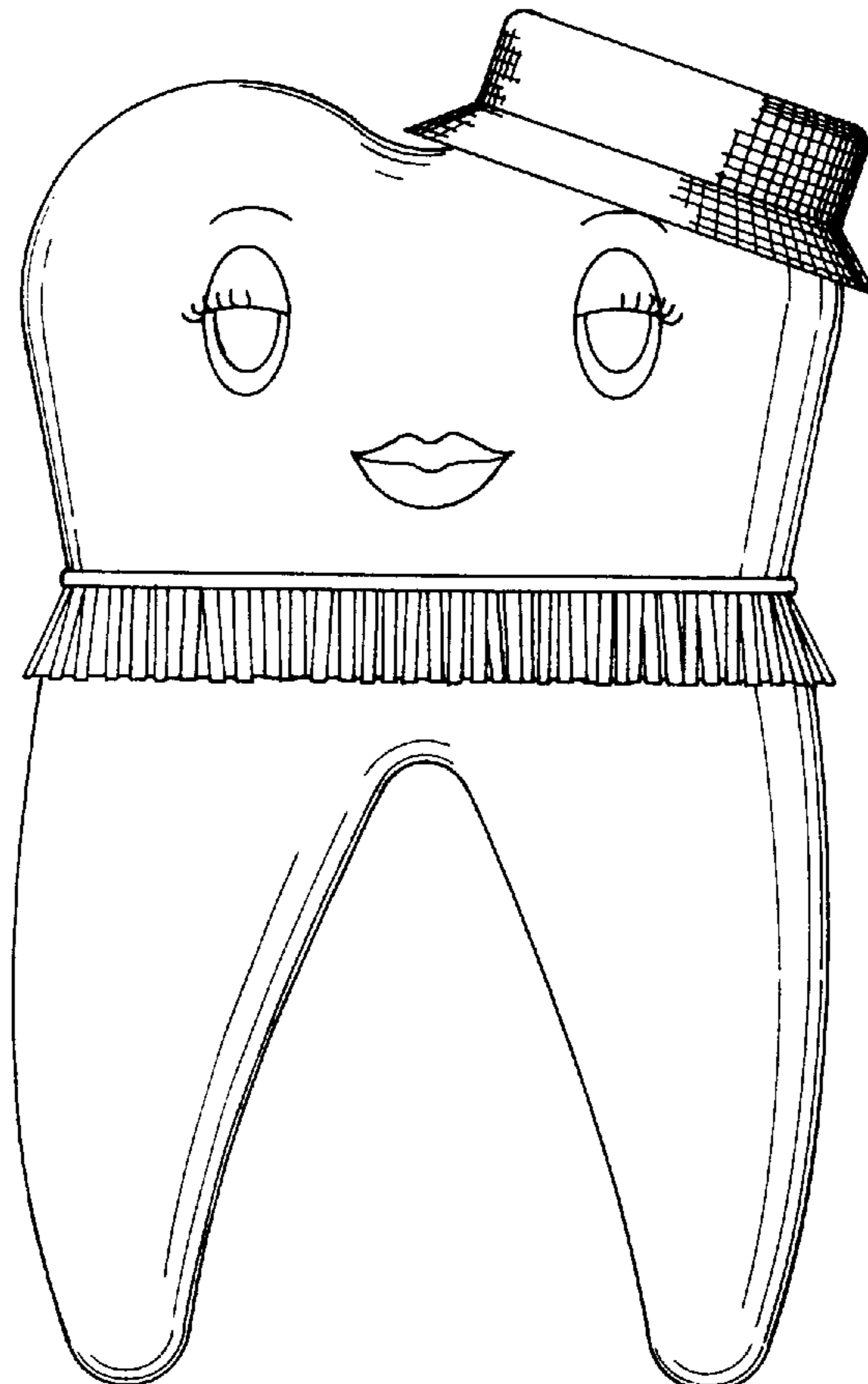


FIG. 3

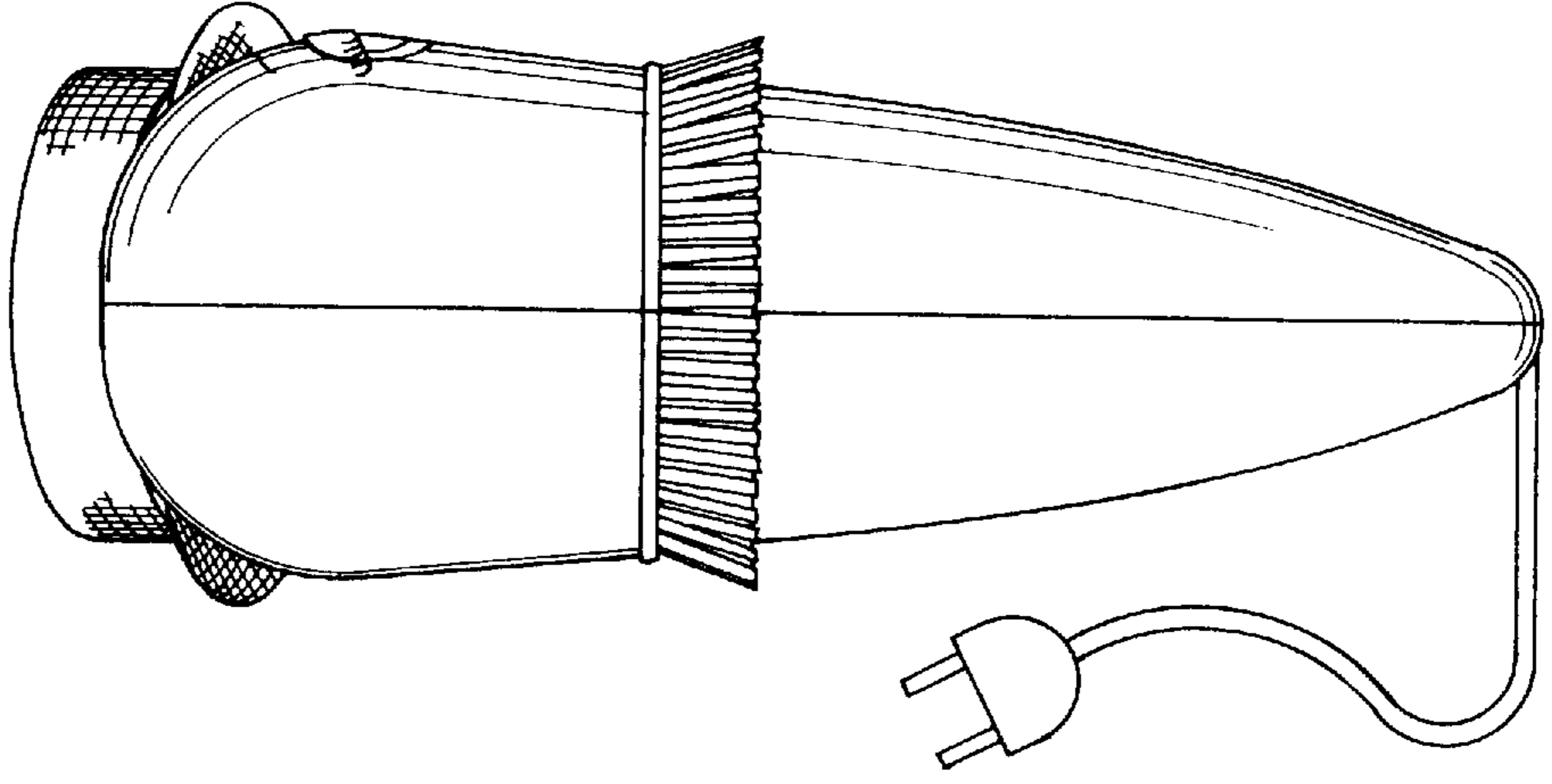


FIG. 1

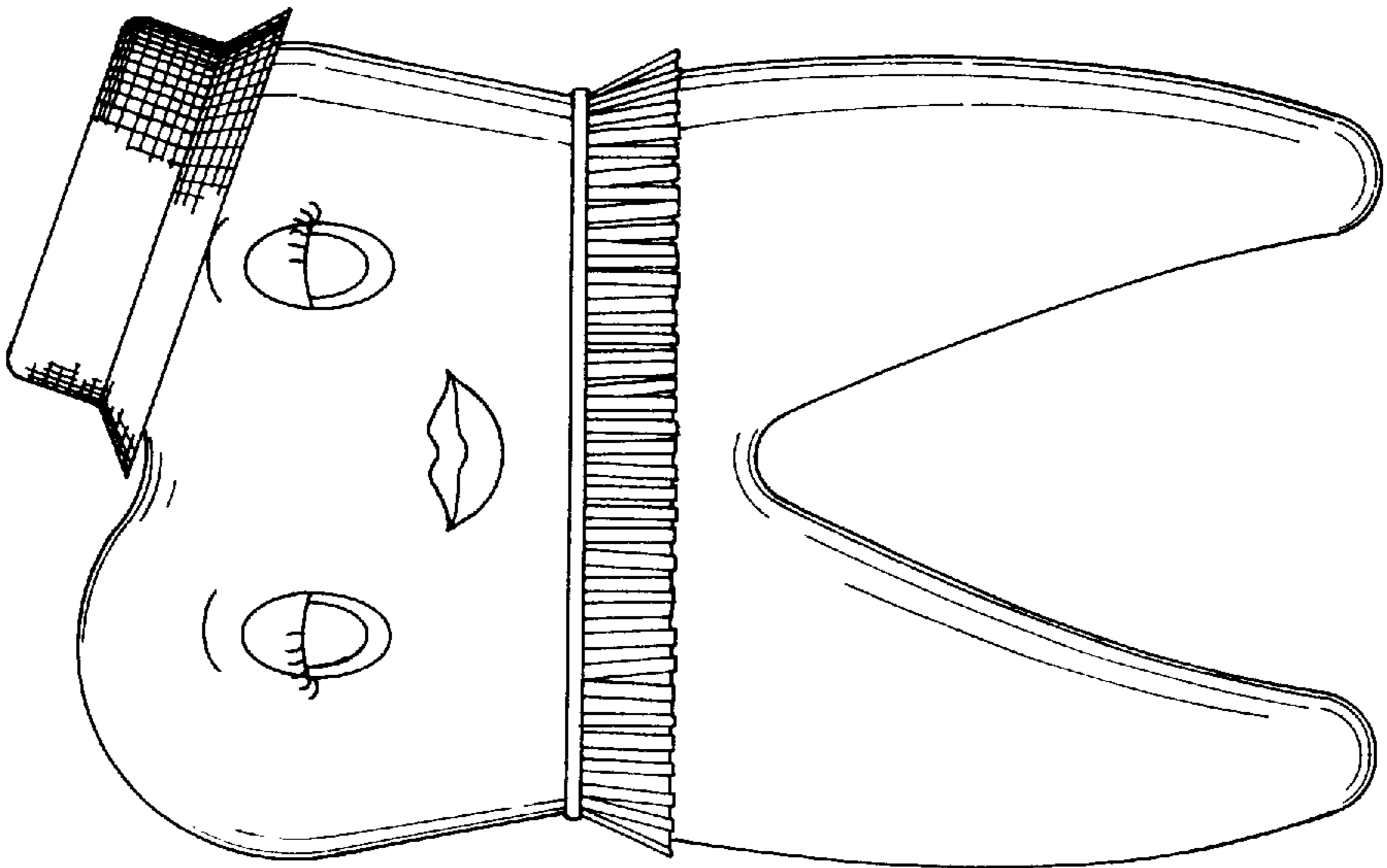


FIG. 4

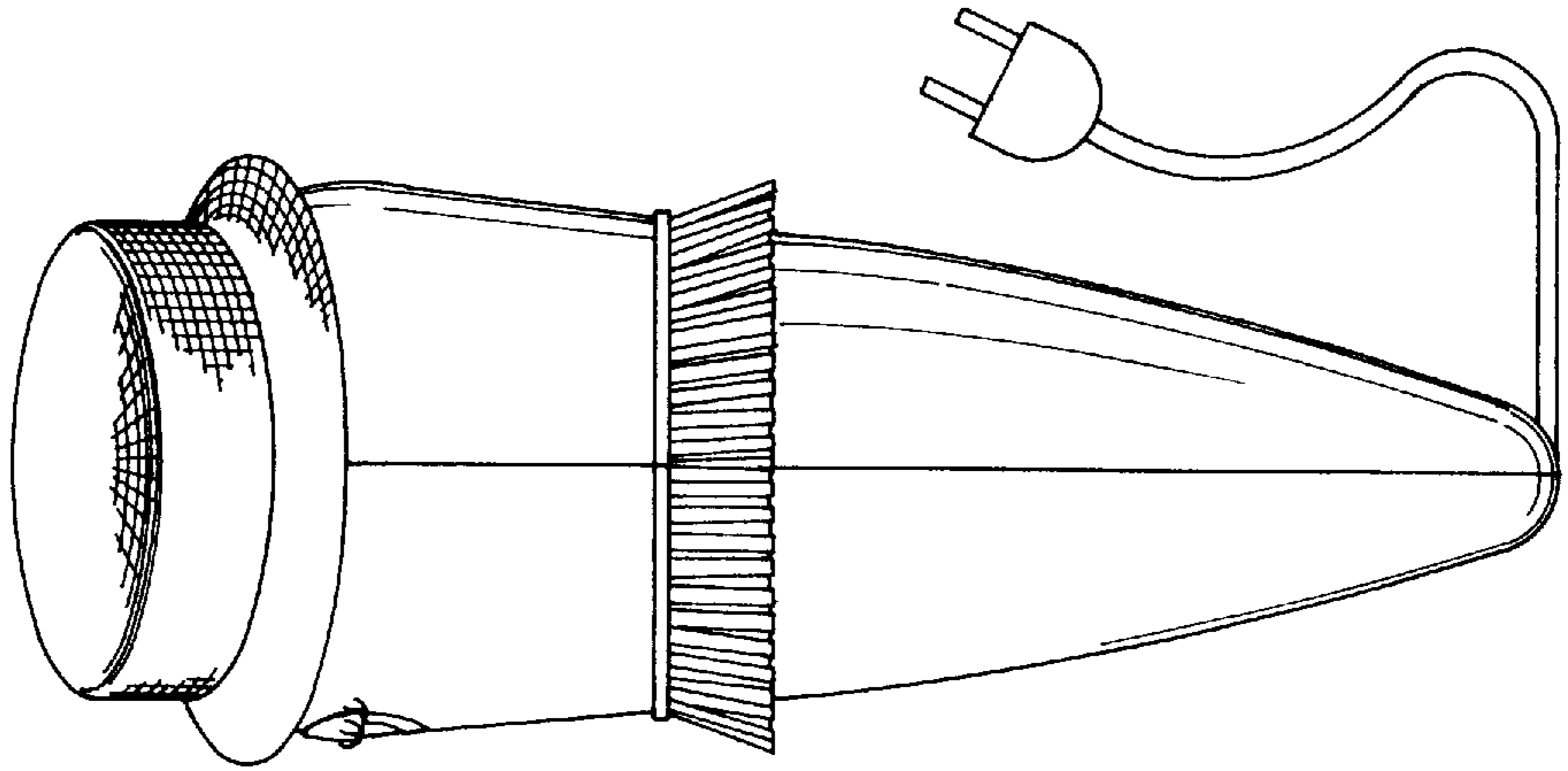
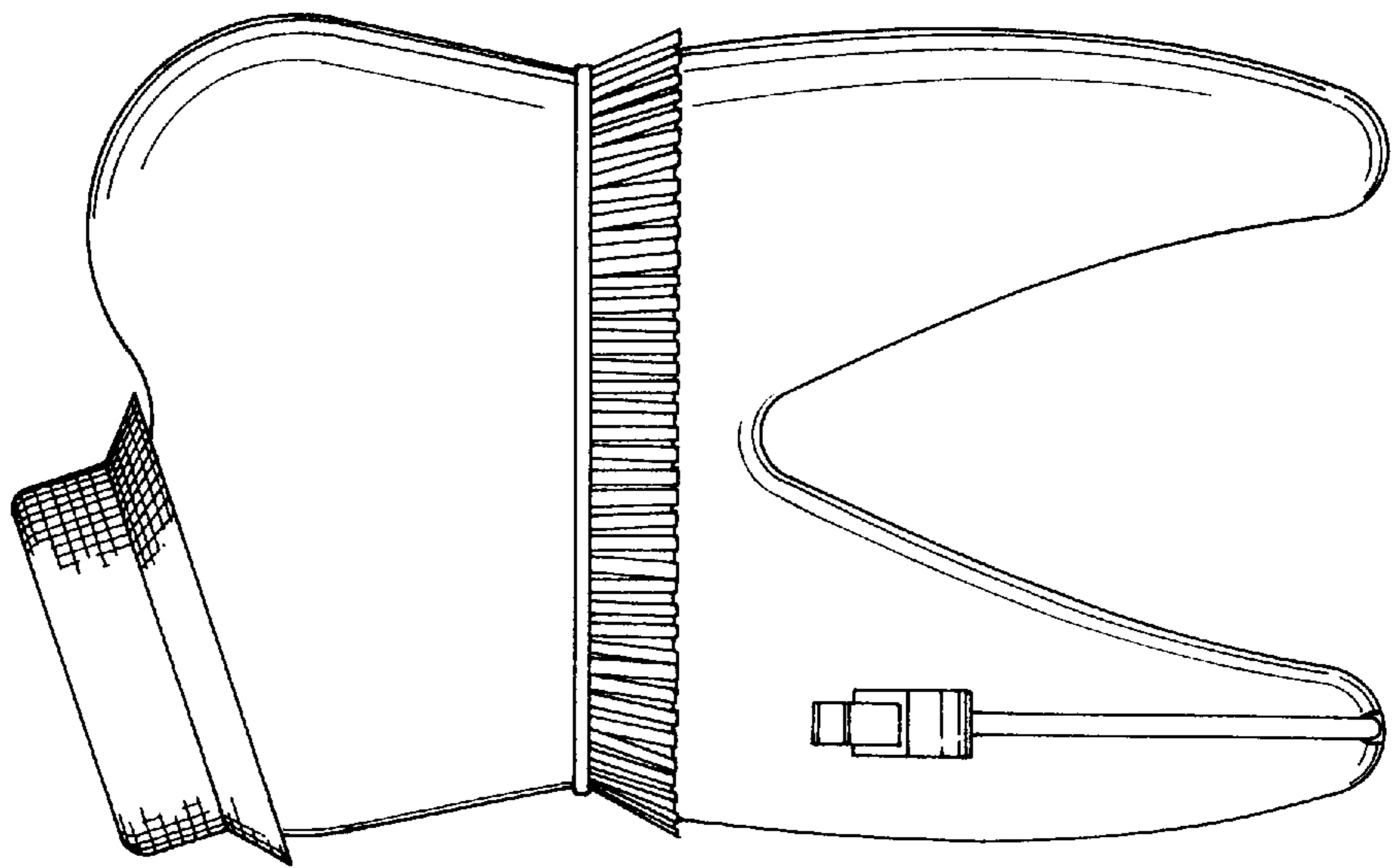


FIG. 2



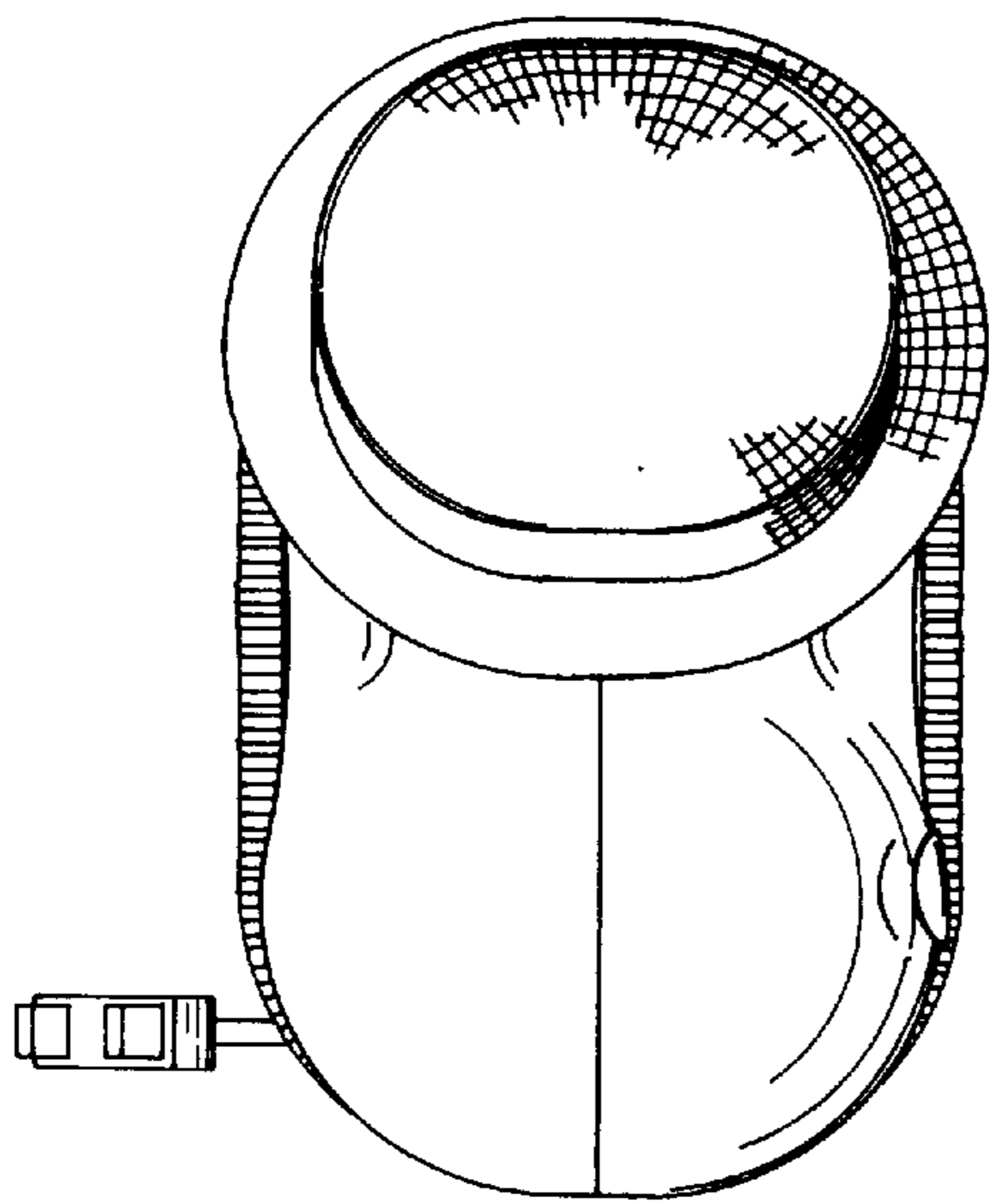


FIG. 5

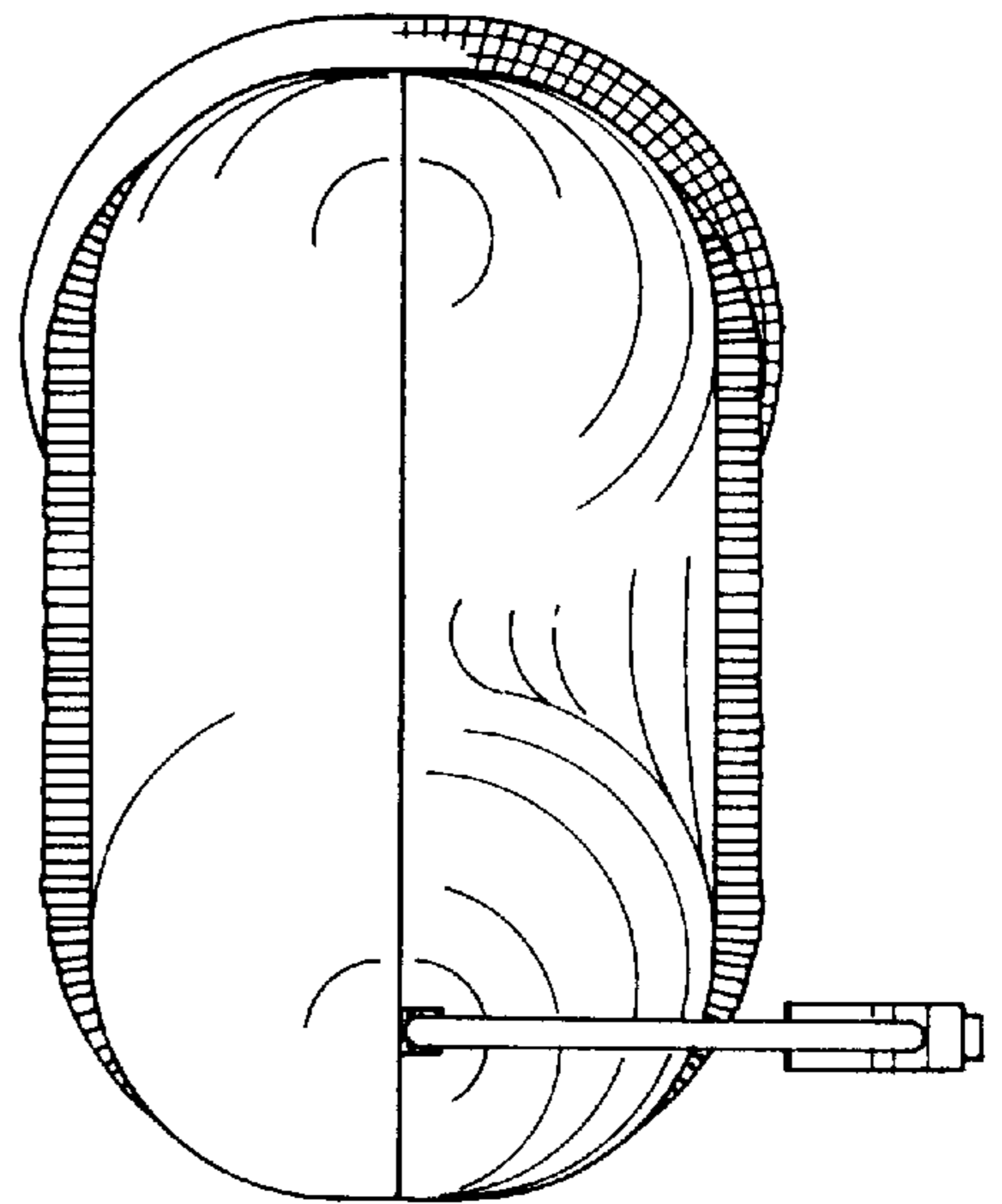


FIG. 6

FIG. 7

