



US00D402699S

United States Patent [19] Calhoon

[11] **Patent Number: Des. 402,699**

[45] **Date of Patent: **Dec. 15, 1998**

[54] **BUSINESS CARD HOLDER**

[76] Inventor: **Michael D. Calhoon**, 155 Terril La.,
LCA, Granbury, Tex. 76049

[**] Term: **14 Years**

[21] Appl. No.: **83,580**

[22] Filed: **Feb. 12, 1998**

[51] **LOC (6) Cl. 19-02**

[52] **U.S. Cl. D19/90; D19/82; D19/86;
D19/97; D20/43**

[58] **Field of Search D16/135; 20/10,
20/29, 40, 43; D19/65, 75, 78, 80, 82, 83,
86, 88, 90, 91, 94, 96, 97, 99, 100; D11/131,
133, 157, 159, 95, 48; 211/10, 11, 13, 50,
55; 24/1, 67.7; 16/403**

[56] **References Cited**

U.S. PATENT DOCUMENTS

D. 11,258	6/1879	Ely	D19/82
D. 22,682	8/1893	Dorsam	D19/97
D. 30,516	4/1899	Bean	D11/95
D. 48,746	3/1916	Fostor	D6/310
D. 55,898	7/1920	Thomas	D19/80
D. 65,306	7/1924	Silaj	D19/80
D. 138,678	8/1944	Lubow	D16/135

D. 140,136	1/1945	Cotton	D19/88
D. 217,468	5/1970	Haucilak	D6/303
D. 232,178	7/1974	McDaniel	D11/133 X
525,677	9/1894	Collins et al.	211/50

Primary Examiner—Martie K. Holtje
Attorney, Agent, or Firm—Felsman, Bradley, Gunter &
Dillon, LLP

[57] **CLAIM**

The ornamental design for a business card holder, as shown and described.

DESCRIPTION

FIG. 1 is a perspective view of the business card holder of the present invention;
FIG. 2 is a right side view of the business card holder of the present invention. The left side view is a mirror image of the right side view;
FIG. 3 is a front view of the business card holder of the present invention;
FIG. 4 is a the rear view of the business card holder of the present invention;
FIG. 5 is a top view of the business card holder of the present invention; and,
FIG. 6 is a the bottom view of the business card holder of the present invention.

1 Claim, 2 Drawing Sheets

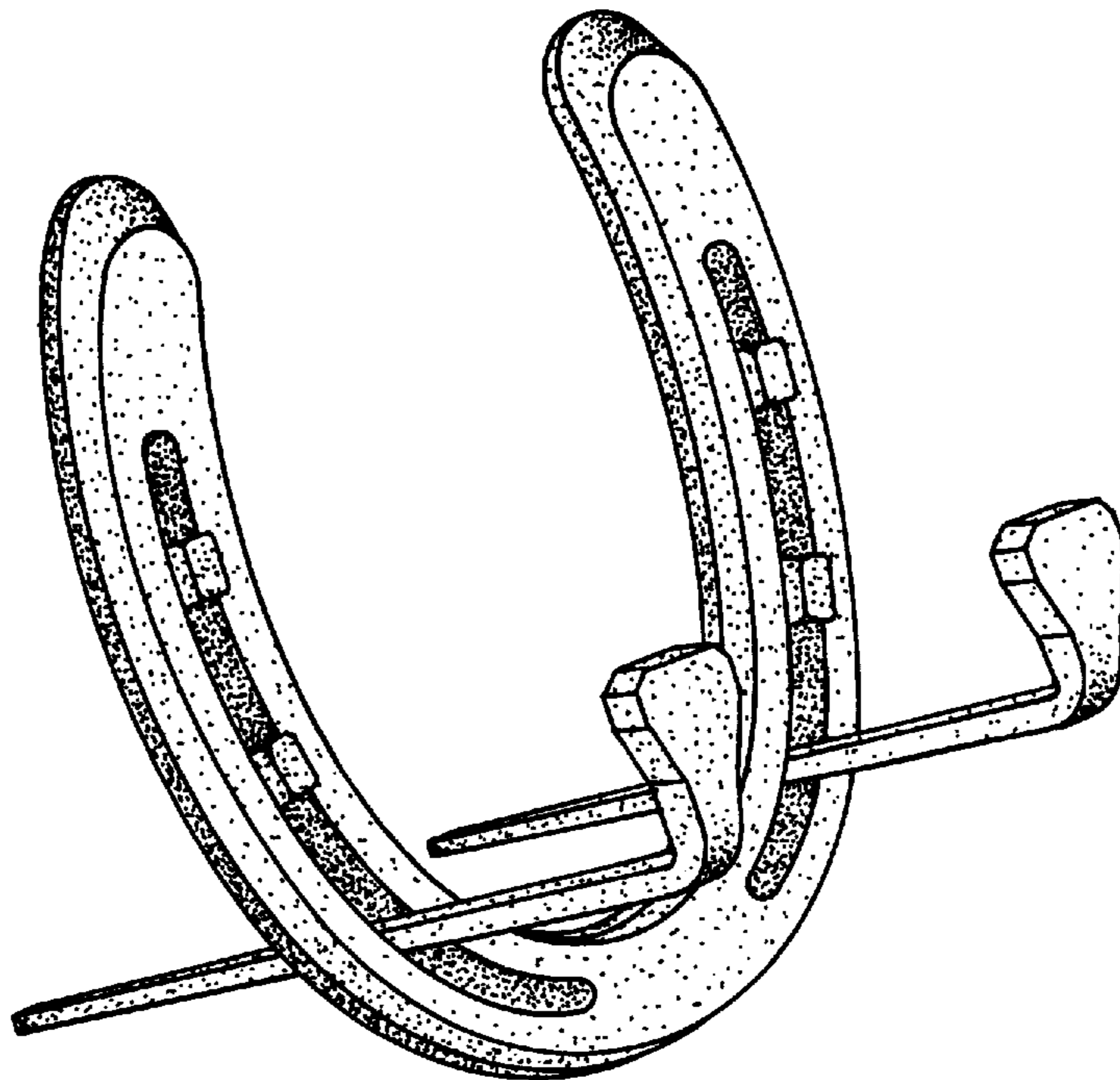


Fig. 1

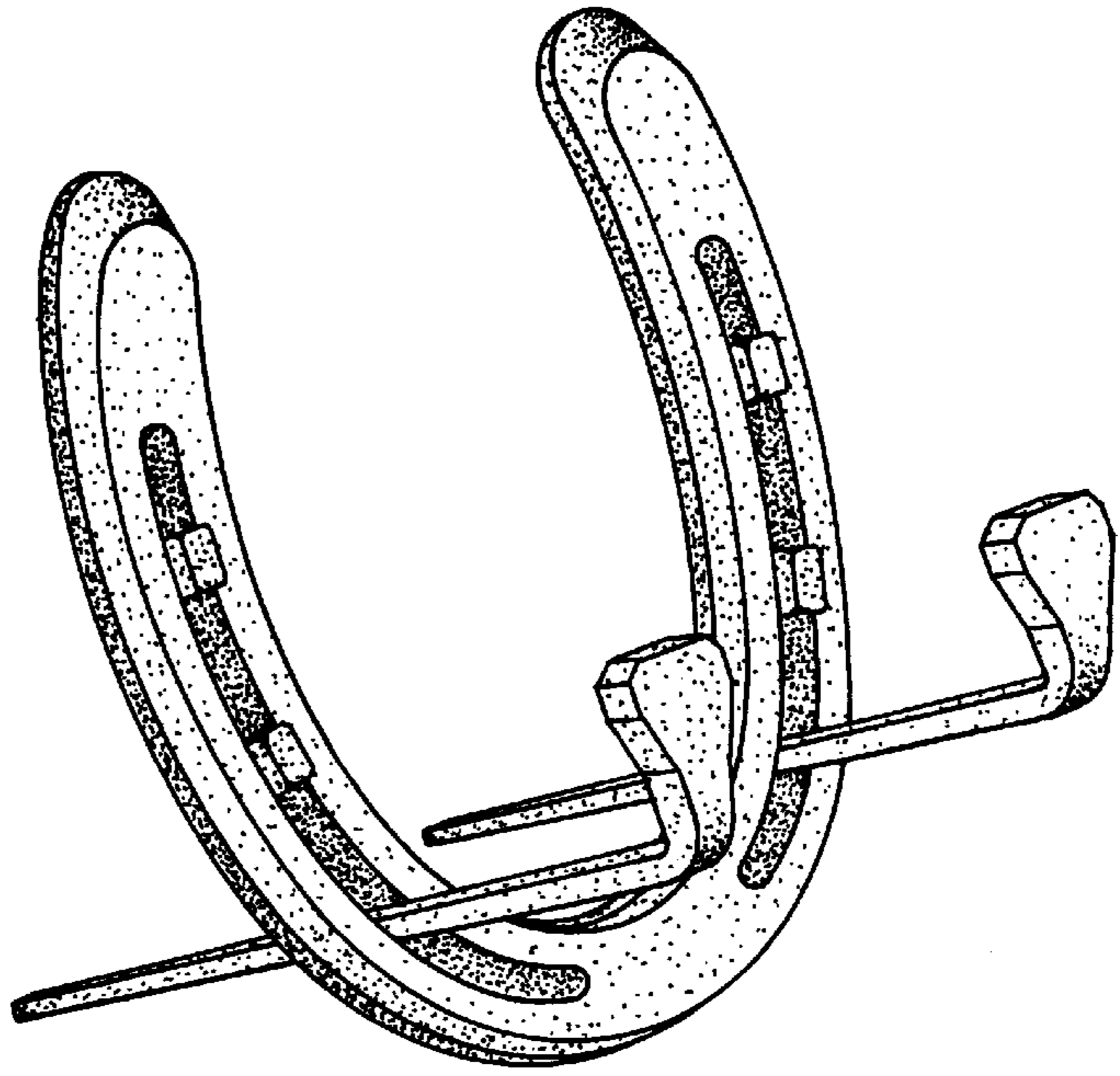


Fig. 2

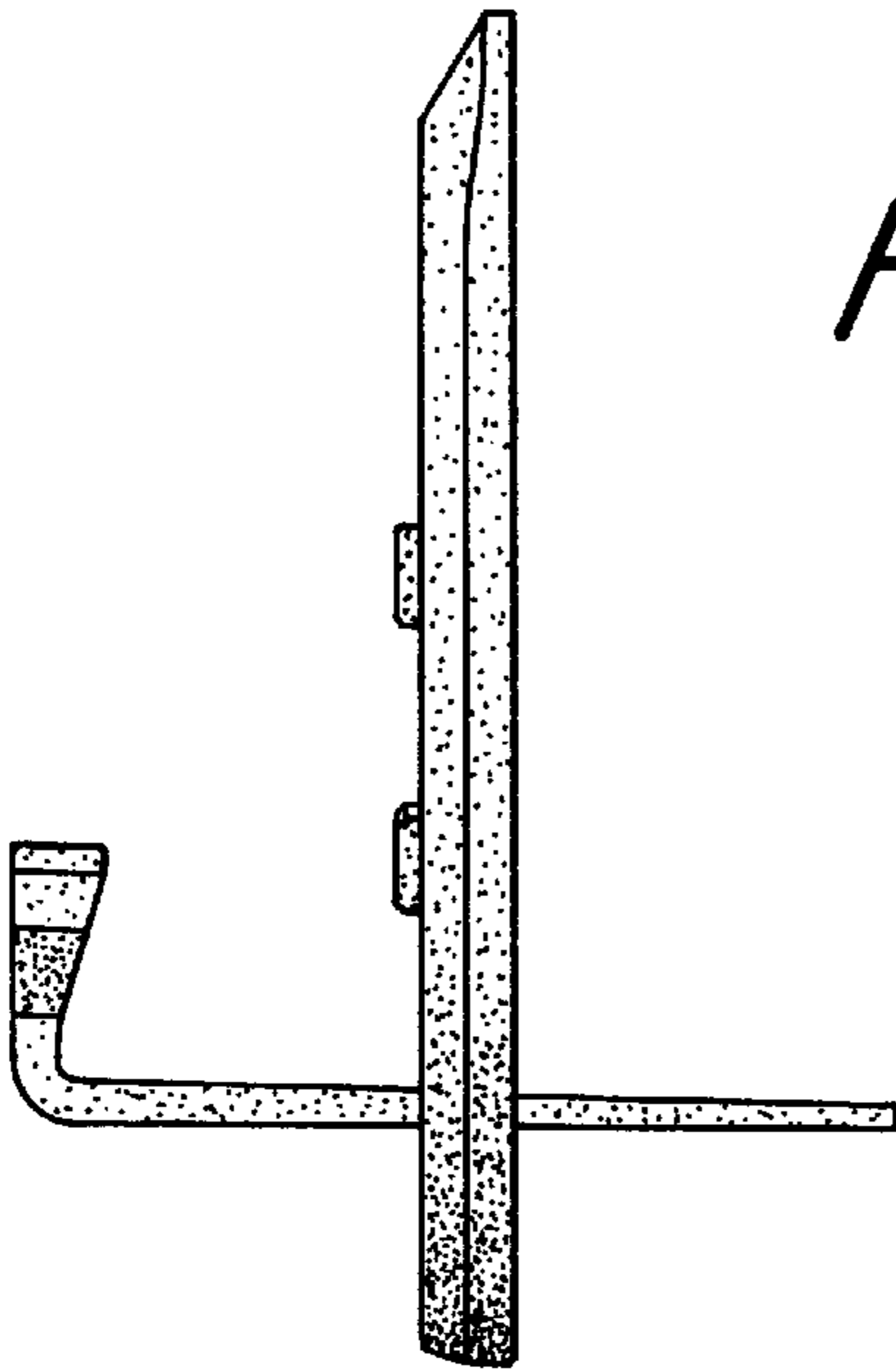
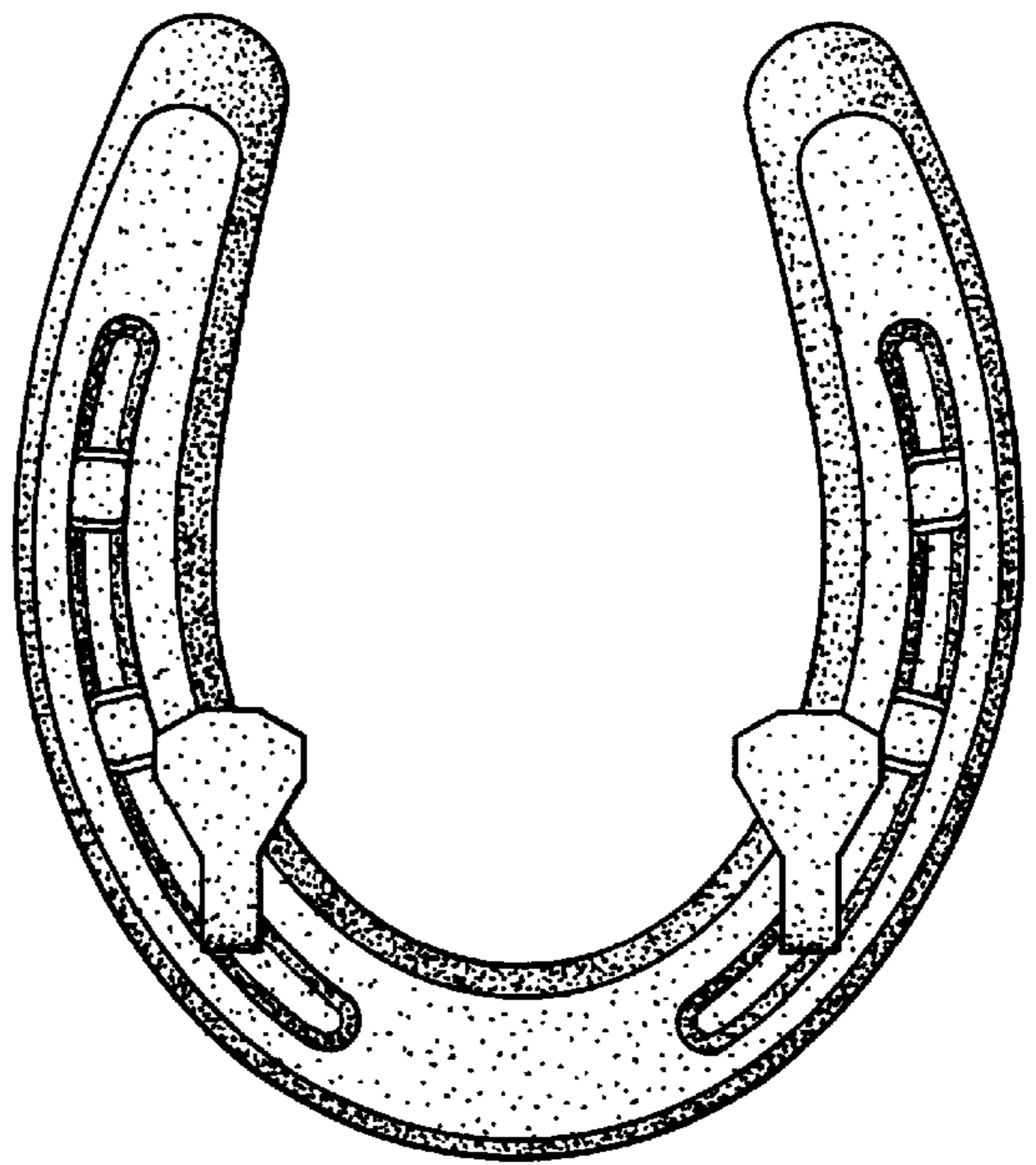


Fig. 3



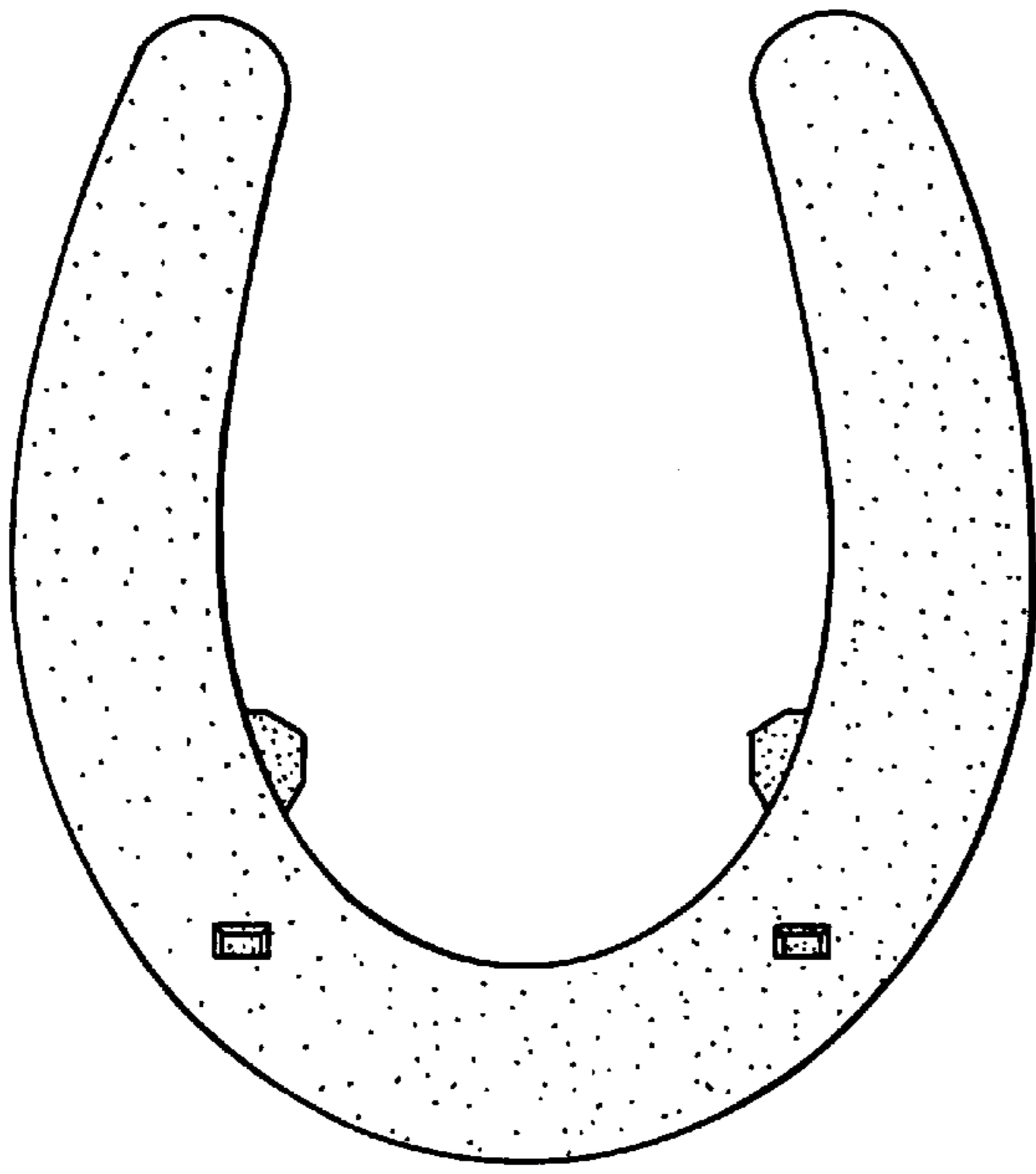


Fig. 4

Fig. 5

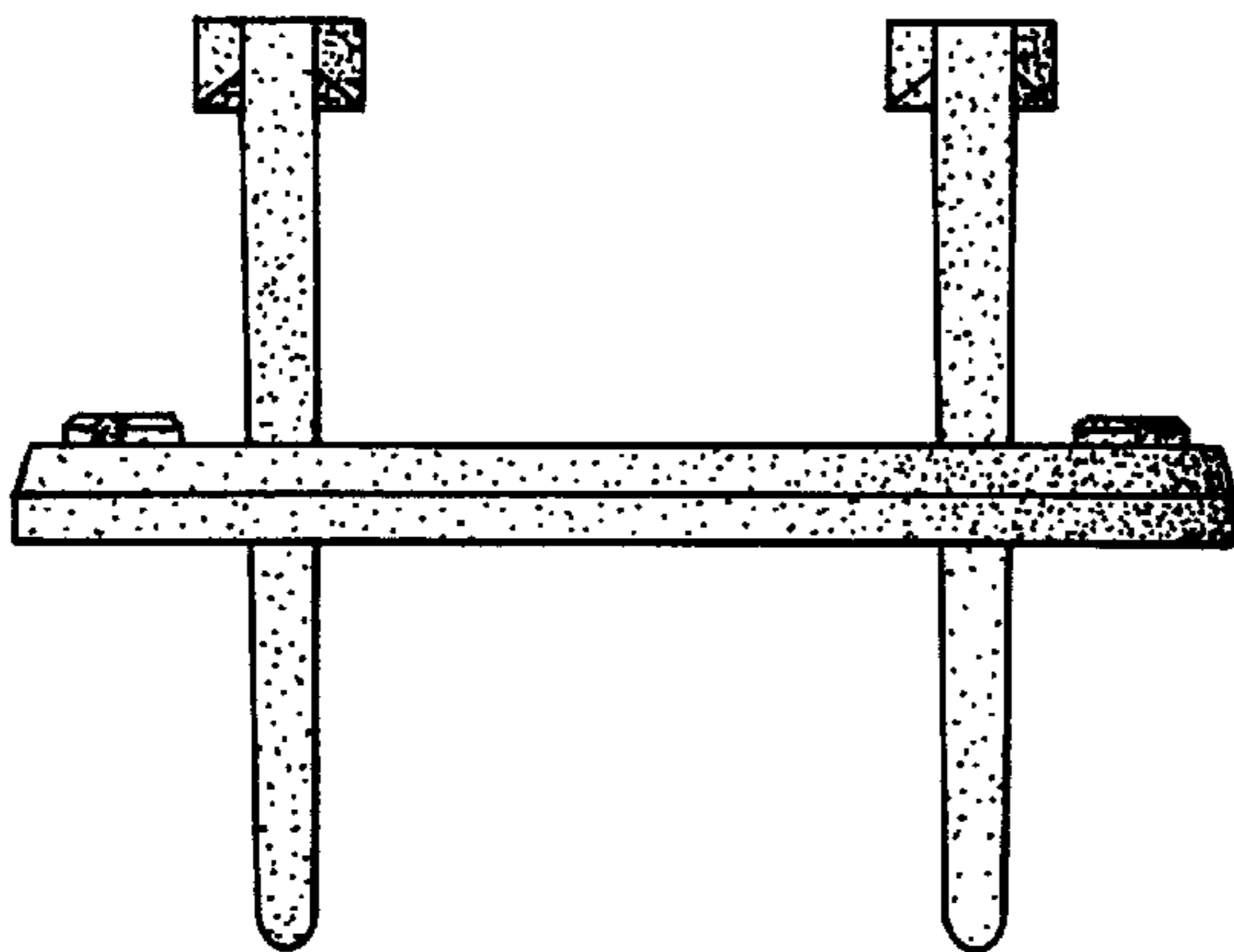
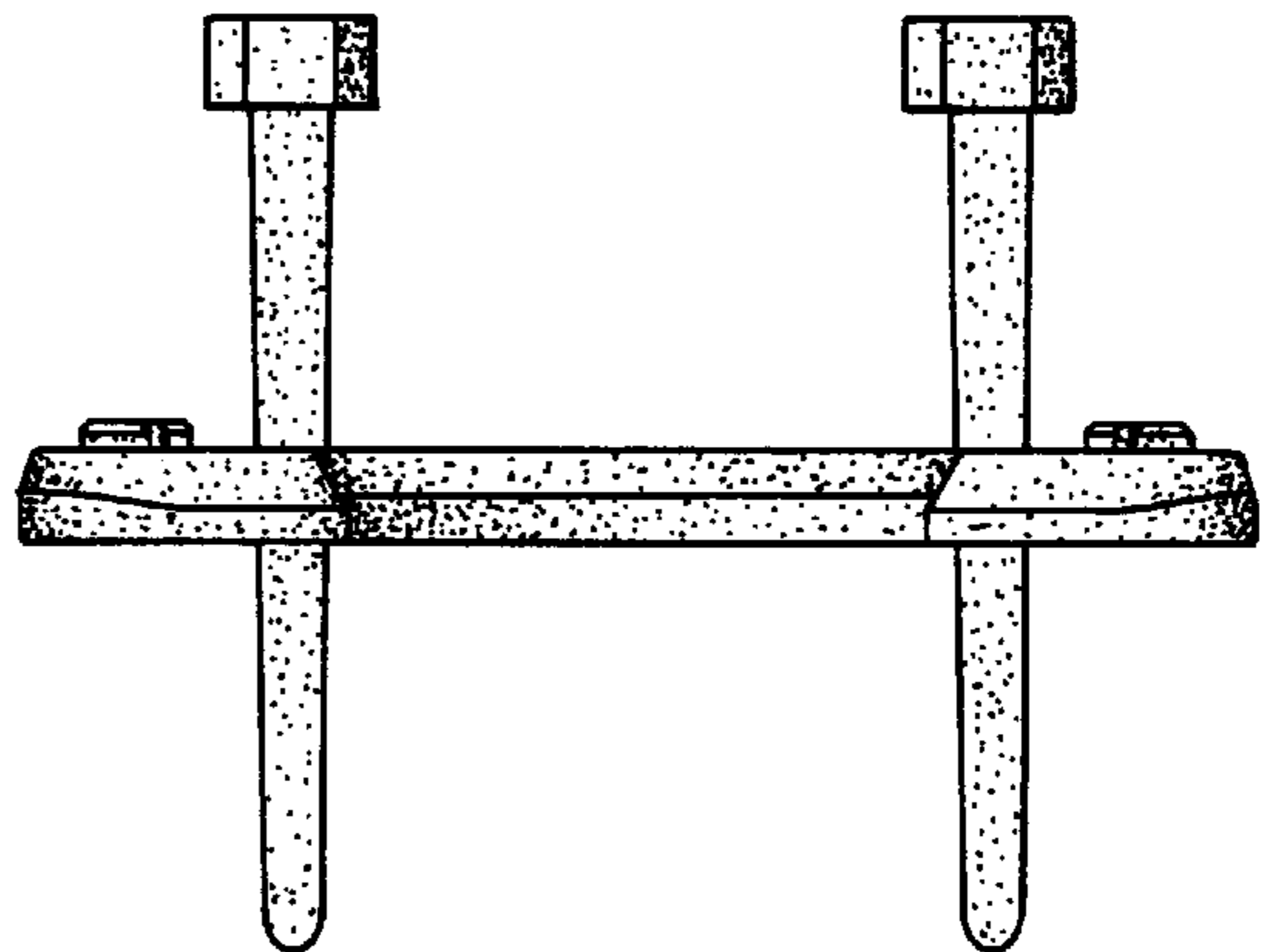


Fig. 6