



US00D402698S

# United States Patent [19]

Falk et al.

[11] Patent Number: **Des. 402,698**

[45] Date of Patent: **\*\*Dec. 15, 1998**

[54] **DOCUMENT PRINTER**

[75] Inventors: **Kevin Falk; Anthony G. Laidlaw,**  
both of Boise, Id.

[73] Assignee: **Hewlett-Packard Company,** Palo Alto,  
Calif.

[\*\*] Term: **14 Years**

[21] Appl. No.: **76,073**

[22] Filed: **Sep. 3, 1997**

[51] **LOC (6) Cl.** ..... **18-02**

[52] **U.S. Cl.** ..... **D18/55**

[58] **Field of Search** ..... D18/36-37, 50,  
D18/54-55; 400/615, 615.1-615.4, 691-694,  
690.1, 690.4

[56] **References Cited**

**U.S. PATENT DOCUMENTS**

- D. 319,653 9/1991 Peese ..... D18/54
- D. 324,233 2/1992 Sawa et al. .... D18/54
- D. 324,539 3/1992 Sawa ..... D18/54

- D. 337,609 7/1993 Fukuda ..... D18/55
- D. 355,927 2/1995 Chiba ..... D18/55
- D. 368,113 3/1996 Tanaka et al. .... D18/55
- D. 373,377 9/1996 Fetheroff ..... D18/50
- D. 376,814 12/1996 Asai et al. .... D18/50
- D. 378,218 2/1997 Hong et al. .... D18/55
- D. 379,196 5/1997 Laidlaw .
- D. 384,695 10/1997 Takada ..... D18/55
- D. 386,519 11/1997 Mischter et al. .... D18/55

*Primary Examiner*—Cathy Anne MacCormac

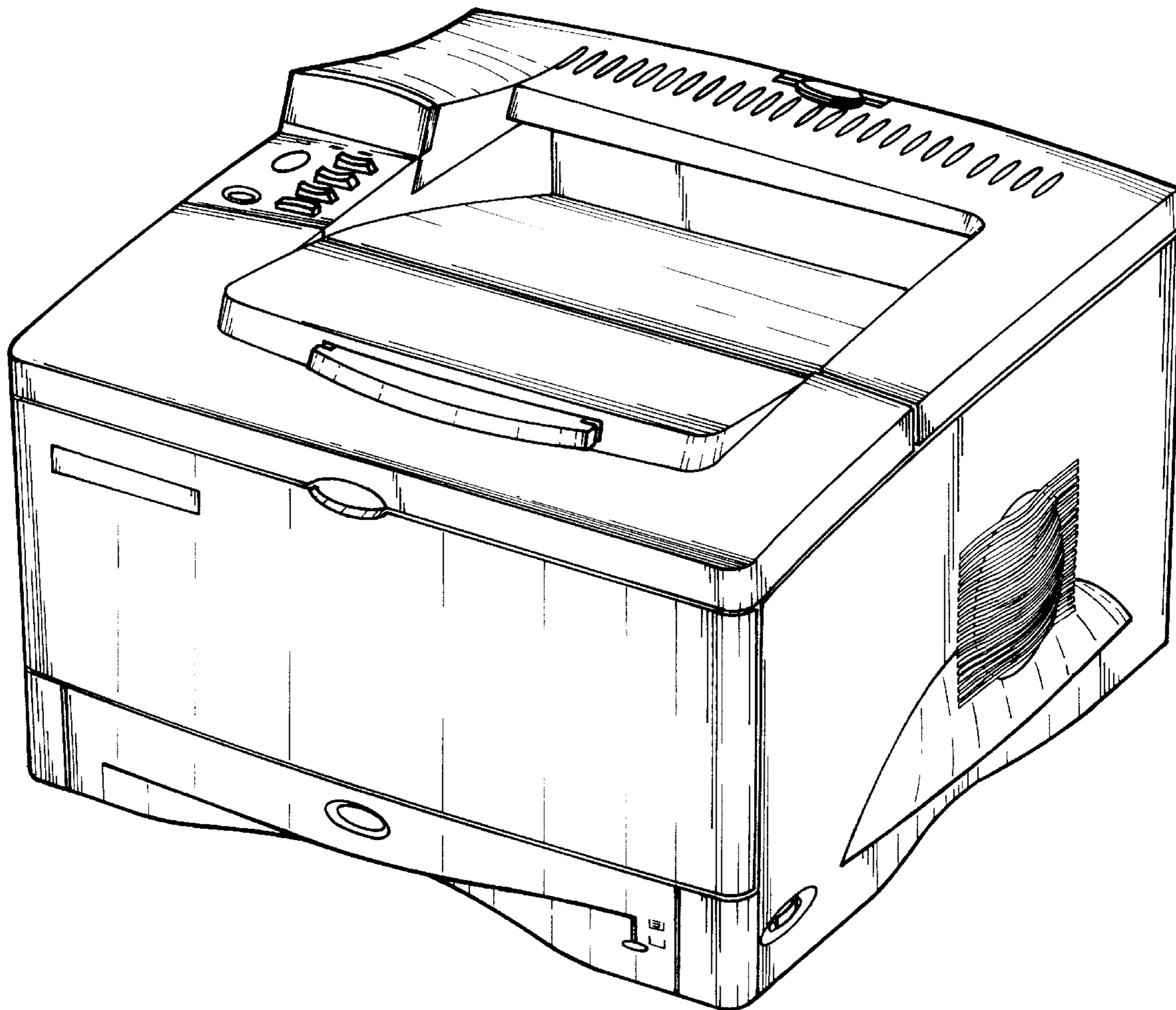
[57] **CLAIM**

The ornamental design for an document printer, as shown and described.

**DESCRIPTION**

FIG. 1 is a front perspective view of an document printer showing my new design;  
 FIG. 2 is a front elevational view thereof;  
 FIG. 3 is a top elevational view thereof;  
 FIG. 4 is a left side elevational view thereof;  
 FIG. 5 is a right side elevational view thereof; and,  
 FIG. 6 is a rear elevational view thereof.

**1 Claim, 6 Drawing Sheets**



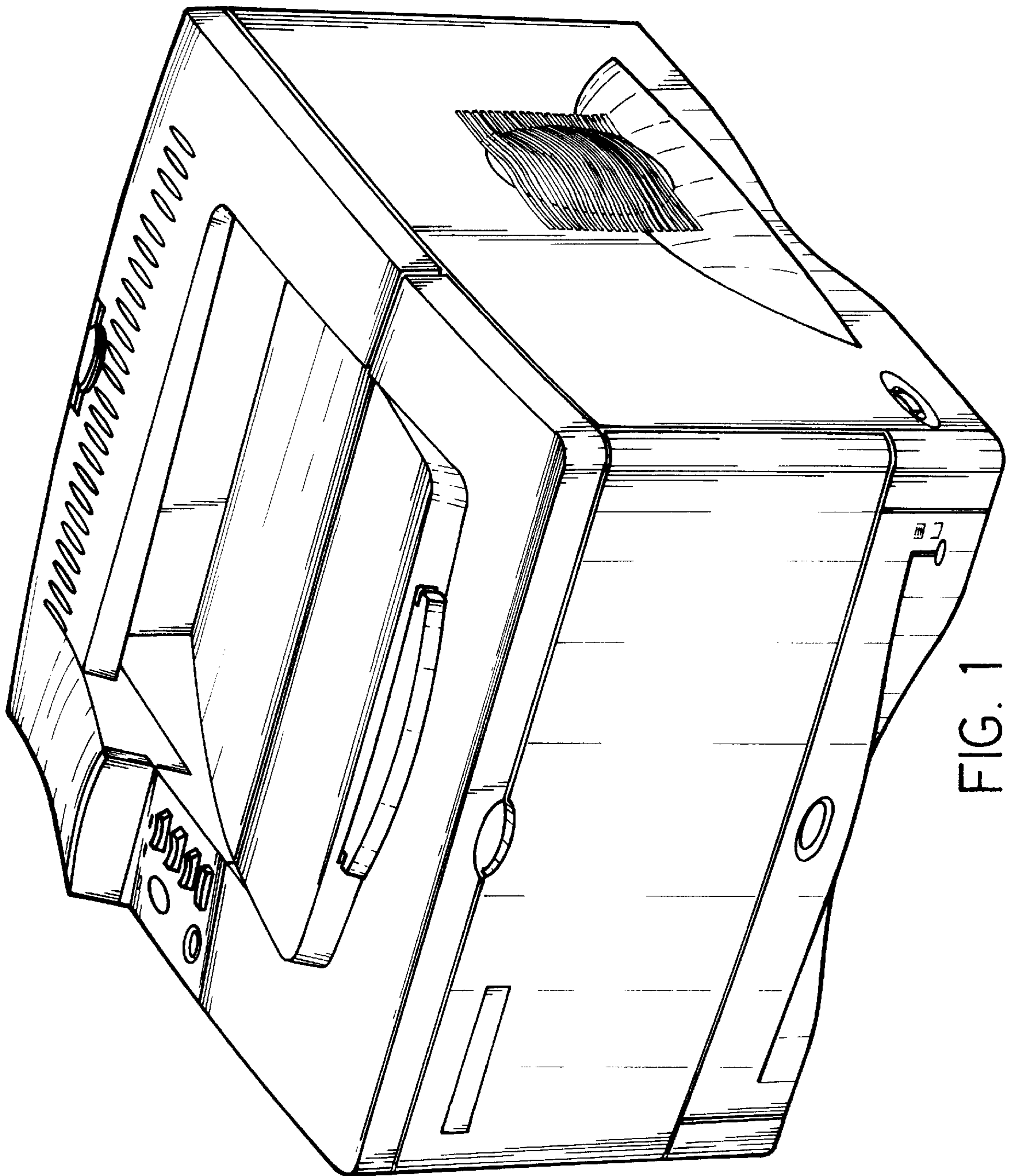


FIG. 1

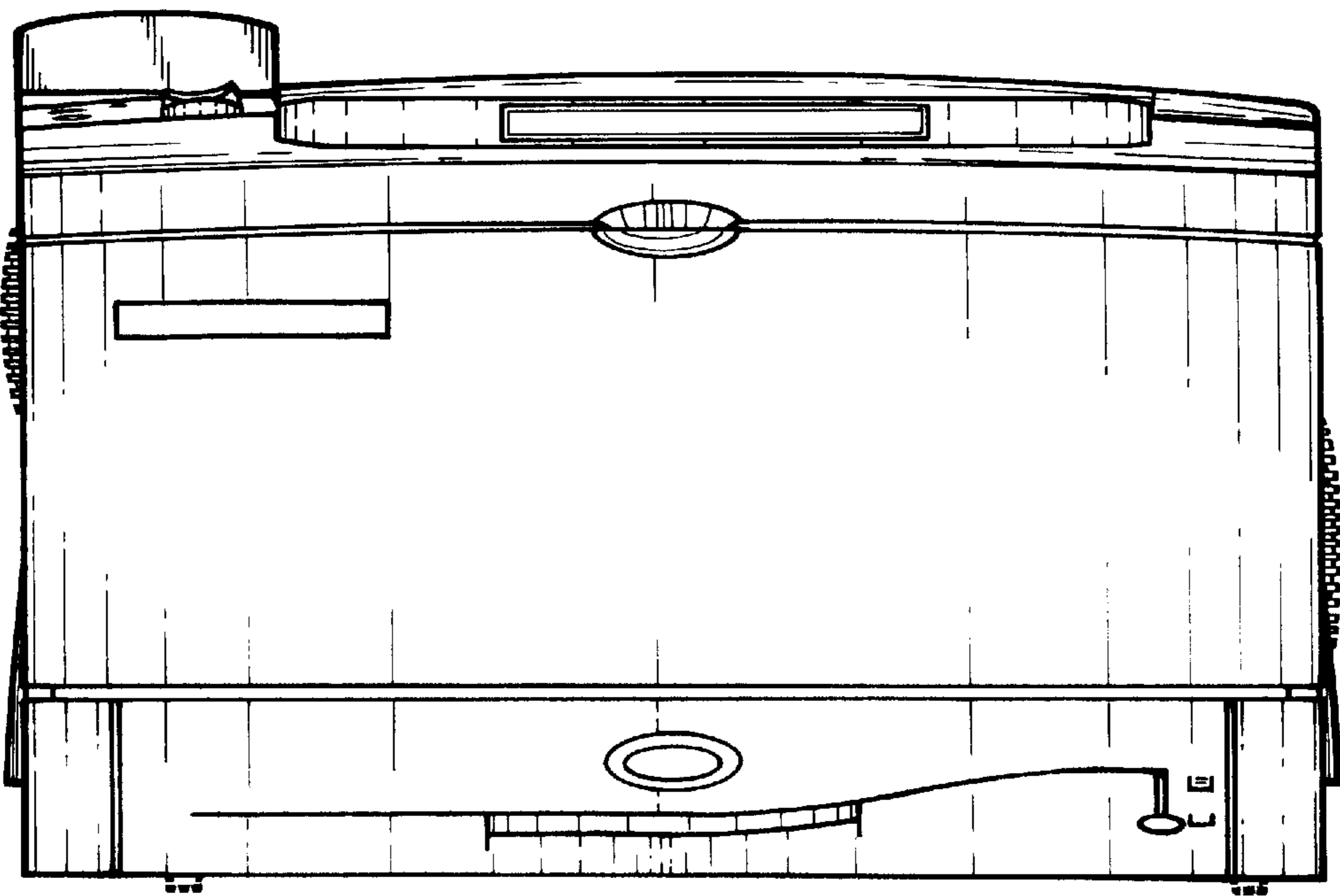


FIG. 2

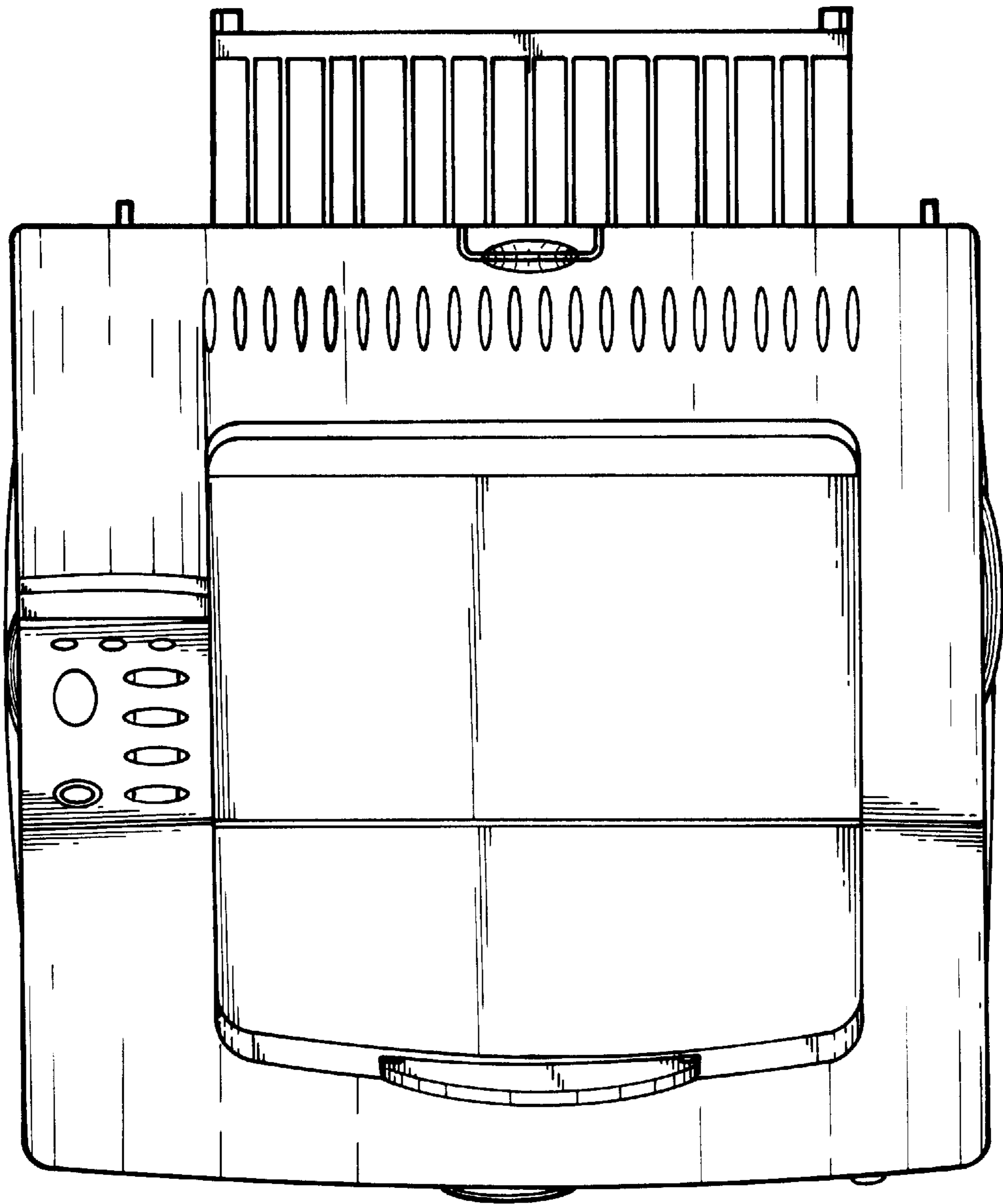


FIG. 3

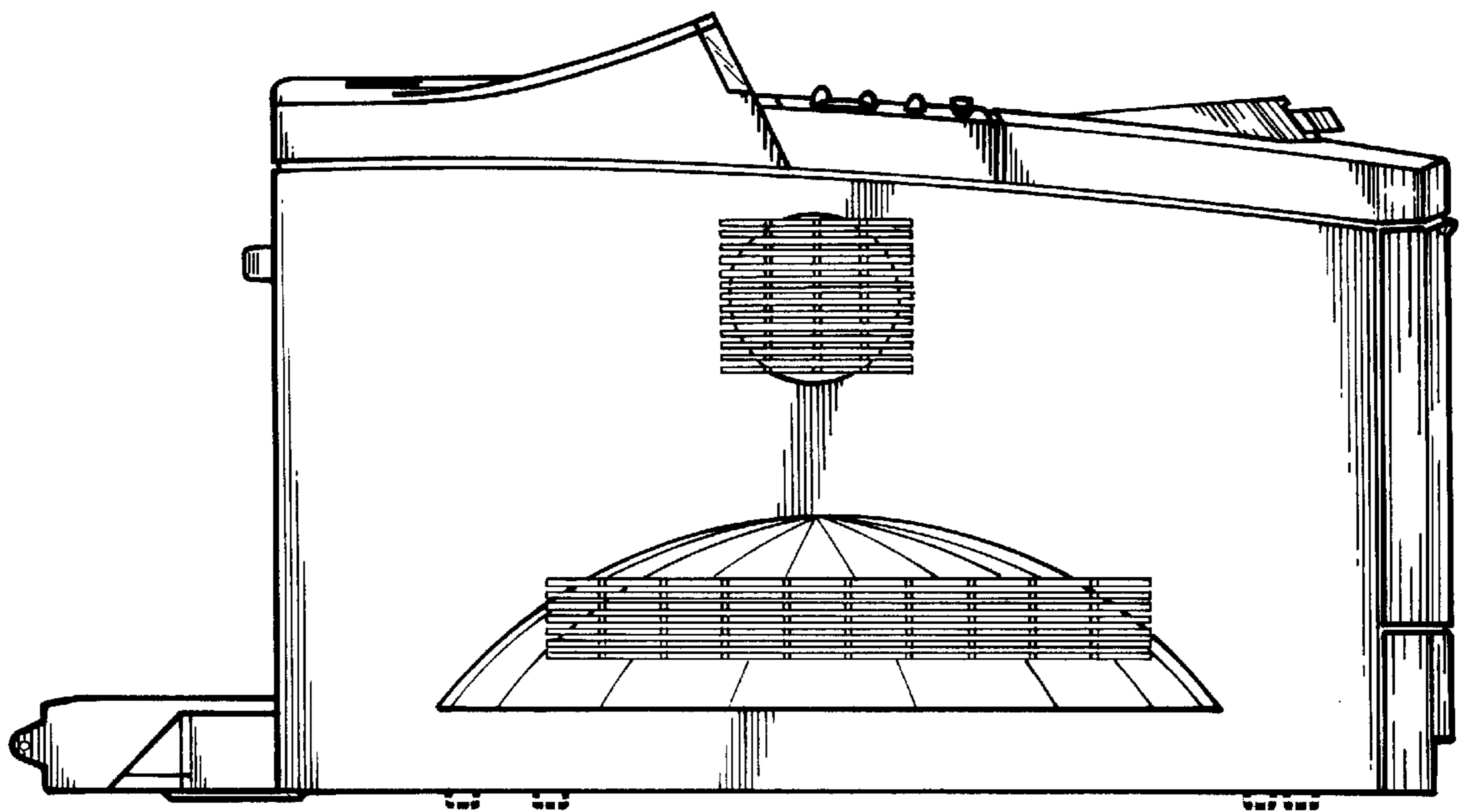


FIG. 4

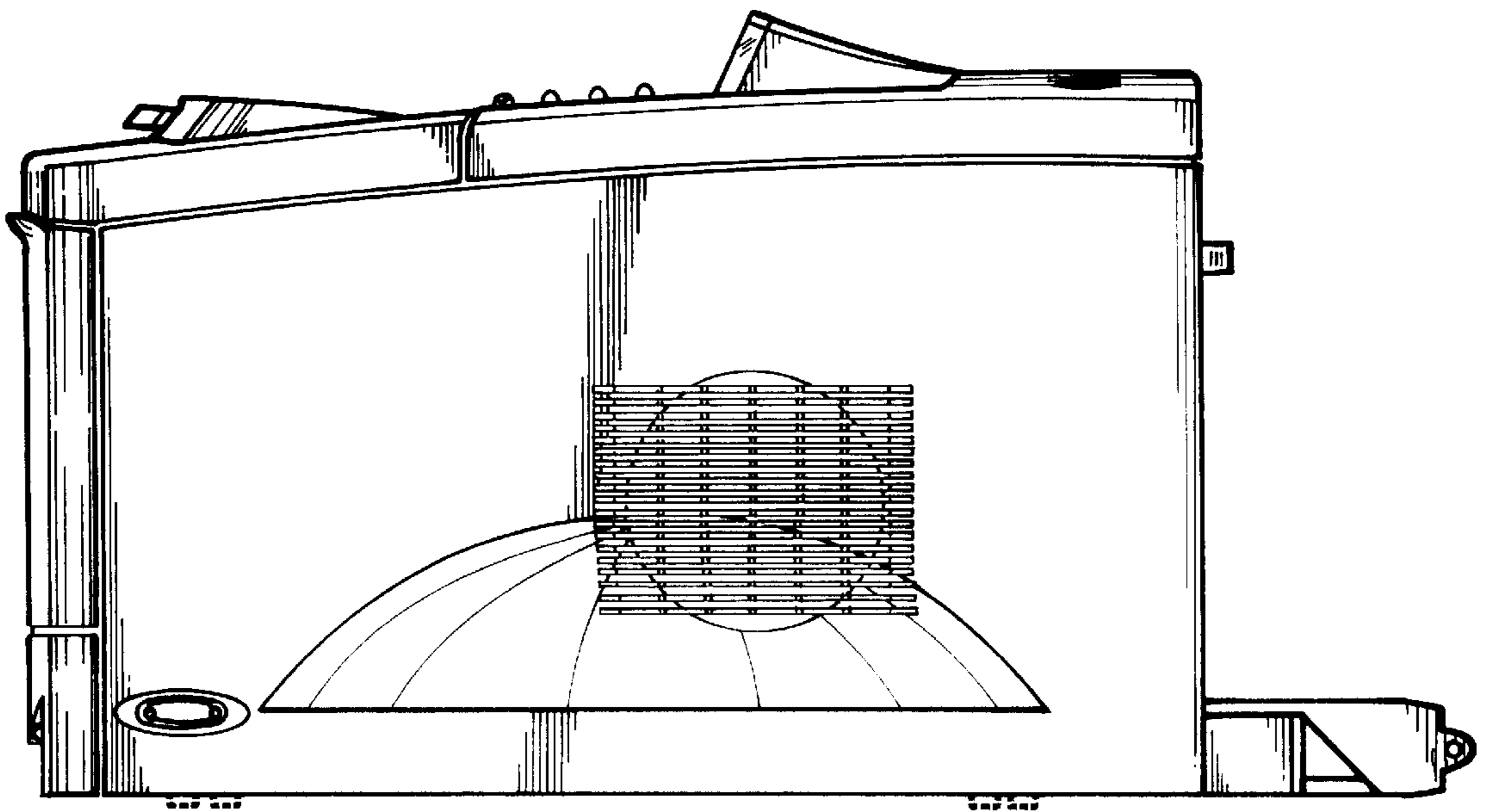


FIG. 5

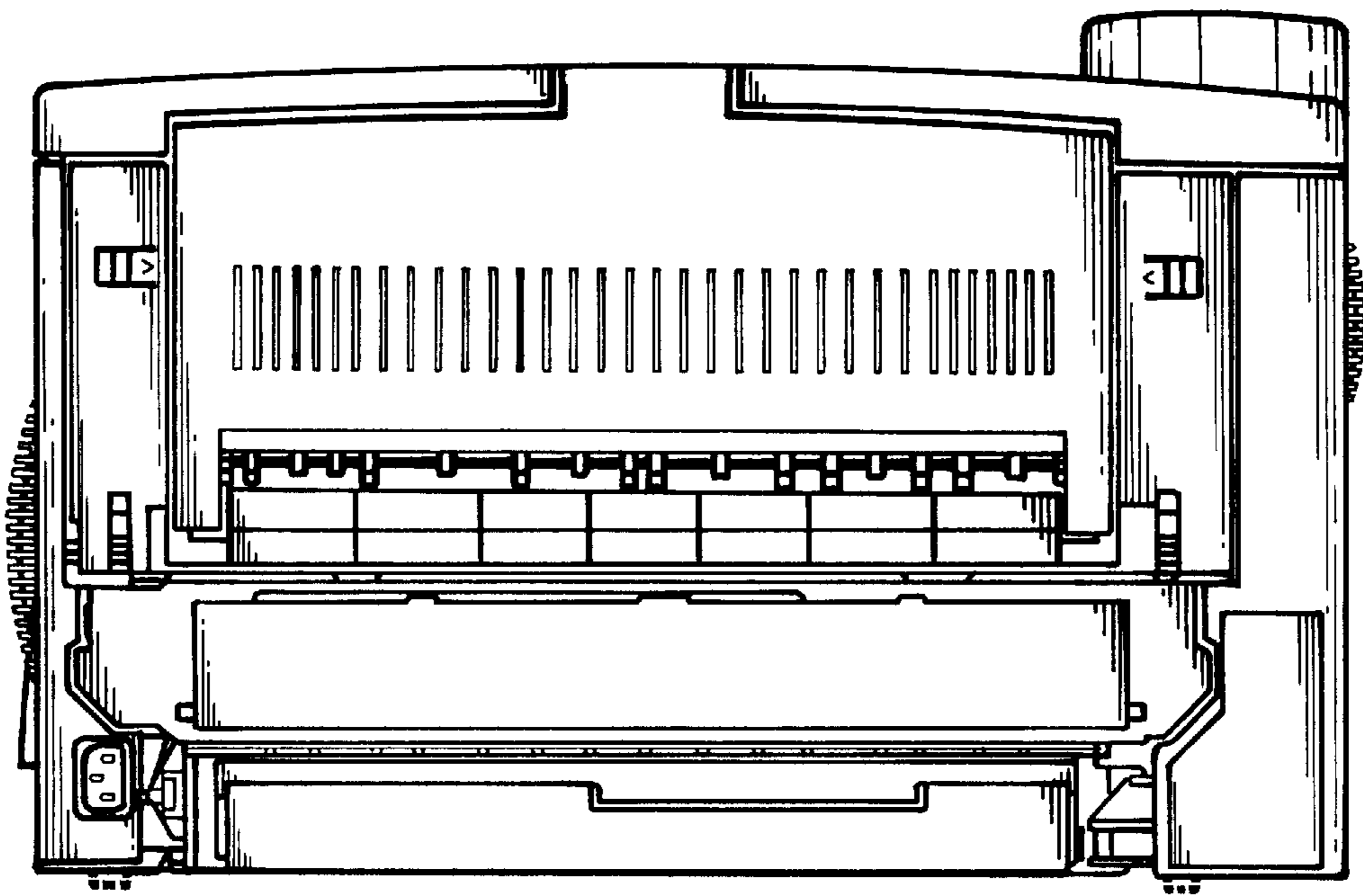


FIG. 6