



US00D402697S

# United States Patent [19] Rosen

[11] Patent Number: Des. 402,697

[45] Date of Patent: \*\*Dec. 15, 1998

[54] COMBINATION WHITEBOARD

[75] Inventor: Lawrence I. Rosen, Mendham, N.J.

[73] Assignee: Rose Art Industries, Inc., Livingston, N.J.

[\*\*] Term: 14 Years

[21] Appl. No.: 87,929

[22] Filed: May 12, 1998

[51] LOC (6) Cl. 19-06

[52] U.S. Cl. D19/52; D19/36; D19/85; D19/78; D20/19; D6/553; D6/569

[58] Field of Search D19/35, 36, 52, D19/21-23, 77, 78, 81-85, 86, 90, 91, 99, 100; D20/19, 10, 39, 42; D6/300, 527, 553, 569-572; 40/1, 124, 124.2, 124.4, 905, 107-120, 122

[56] References Cited

U.S. PATENT DOCUMENTS

250,652	12/1881	Anderson	.....	D19/52
D. 267,608	1/1983	Brescia et al.	.....	D19/52 X
D. 268,118	3/1983	Herr	.	
D. 270,074	8/1983	Read	.	
D. 274,589	7/1984	Christensen et al.	.....	D19/52 X
D. 297,149	8/1988	Johnston	.....	D6/553 X
D. 302,986	8/1989	Takai et al.	.....	D19/52
D. 330,042	10/1992	Yamaguchi et al.	.....	D19/52 X

D. 363,313	10/1995	Willems	.....	D19/90
D. 371,806	7/1996	Boone	.	
373,235	11/1887	Isbell	.....	40/107
D. 377,948	2/1997	Pruhs	.	
D. 388,459	12/1997	Jack	.	
D. 390,263	2/1998	Jack	.	
D. 394,456	5/1998	Jack	.....	D19/52
4,133,123	1/1979	Anderson	.	
5,295,342	3/1994	Roche	.	
5,527,568	6/1996	Boone	.	
5,658,635	8/1997	Davis	.	

Primary Examiner—Martie K. Holtje  
Attorney, Agent, or Firm—McCarter & English, LLP; Allen N. Friedman

[57] CLAIM

I claim a combination whiteboard, as shown and described.

DESCRIPTION

FIG. 1 is a perspective view of a combination whiteboard showing my new design, the two writing instruments depicted by means of broken lines being shown for illustrated purposes only and forming no part of the claimed design;

FIG. 2 is a front elevational view;

FIG. 3 is a bottom plan view; and

FIG. 4 is a right side elevational view, the left side being a mirror image thereof.

The rear of the article is unornamented.

1 Claim, 2 Drawing Sheets

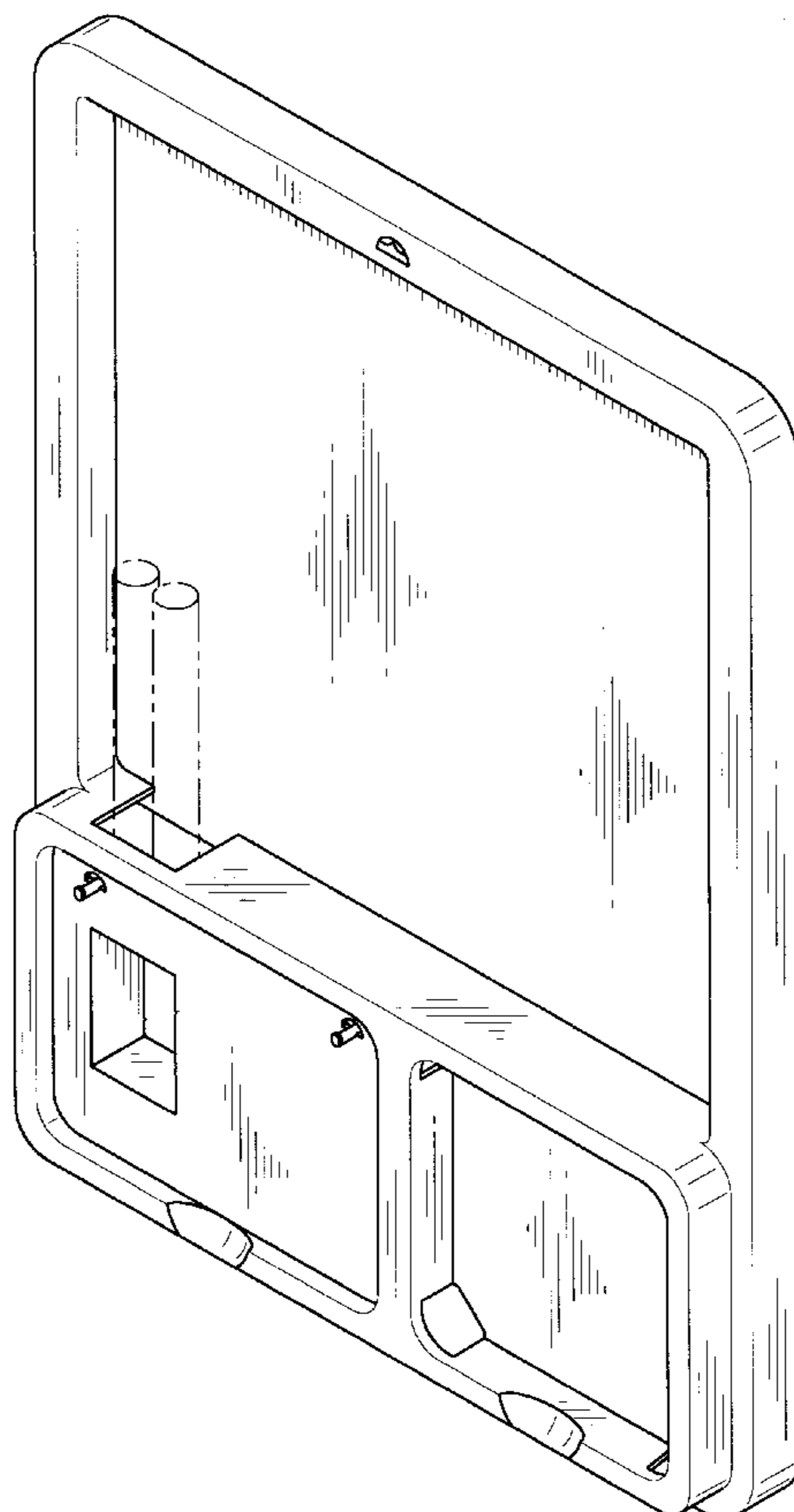


FIG. 1

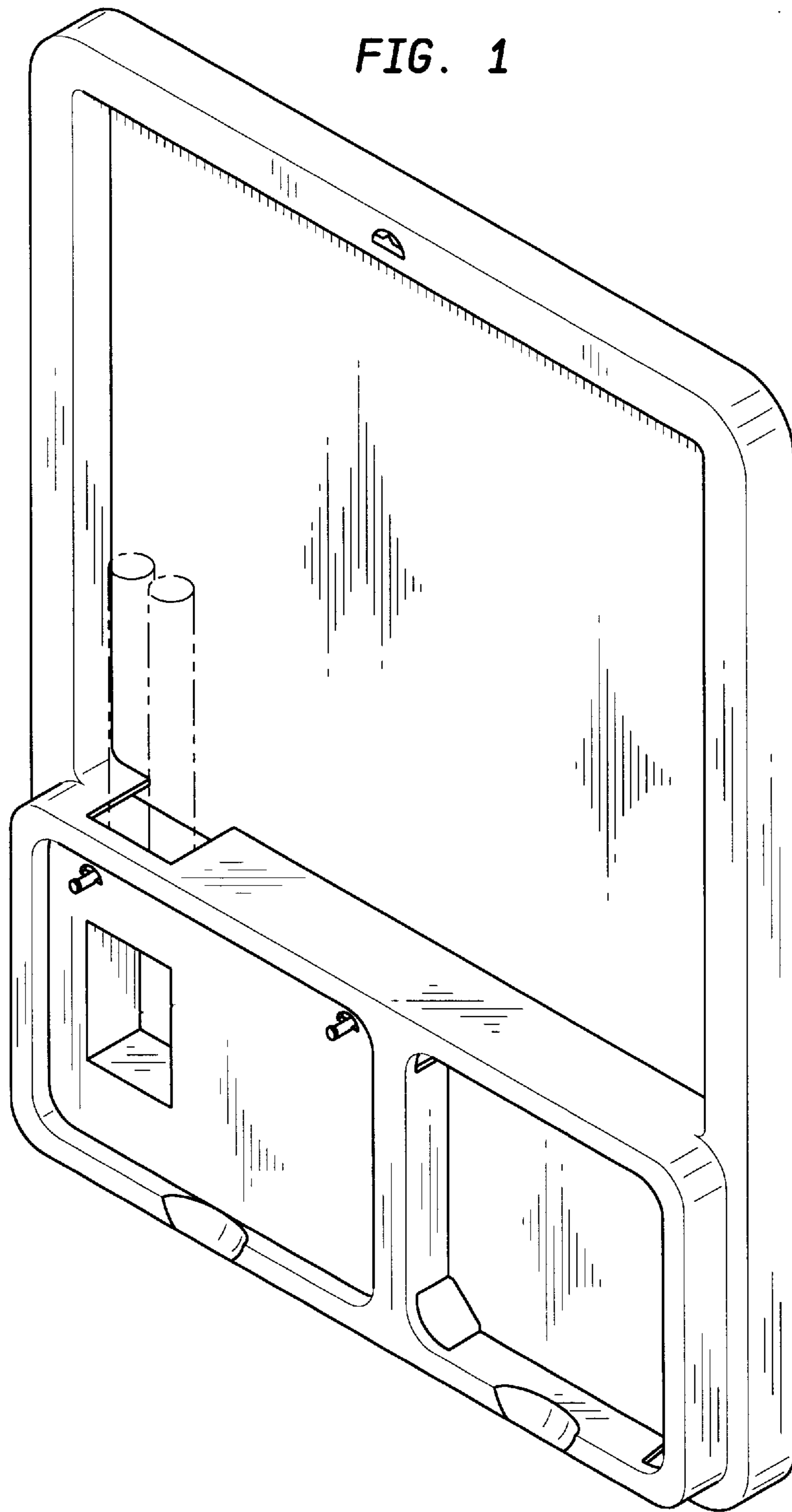


FIG. 2

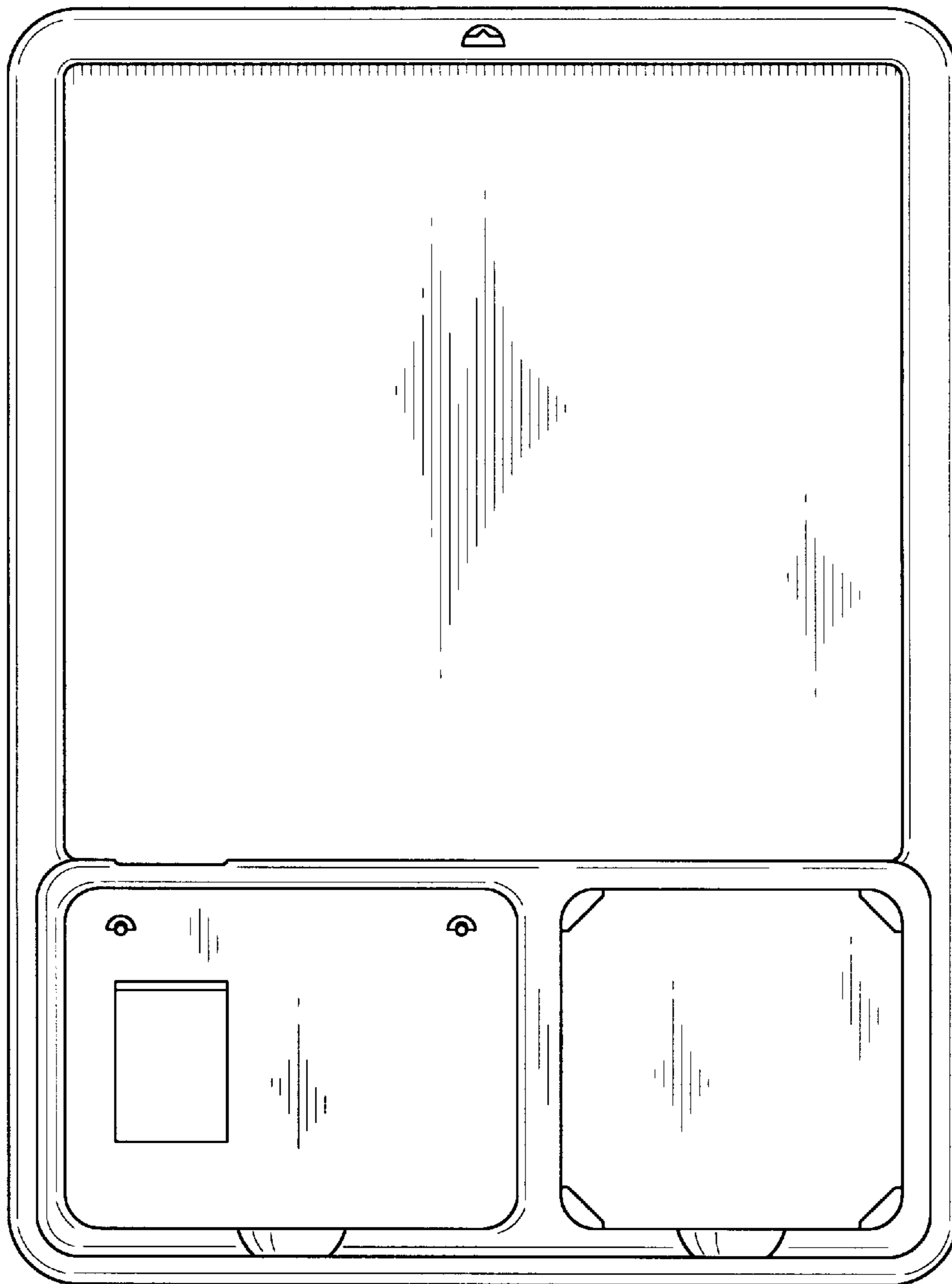


FIG. 4

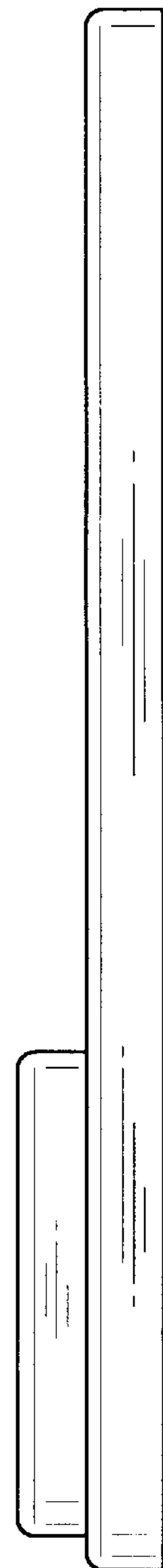


FIG. 3

