



US00D402696S

United States Patent [19]

Rosen

[11] Patent Number: Des. 402,696

[45] Date of Patent: **Dec. 15, 1998

[54] **WHITEBOARD WITH INTEGRATED MARKER STORAGE**

[75] Inventor: Lawrence I. Rosen, Mendham, N.J.

[73] Assignee: Rose Art Industries, Inc., Livingston, N.J.

[**] Term: 14 Years

[21] Appl. No.: 87,248

[22] Filed: Apr. 29, 1998

[51] LOC (6) Cl. 19-06

[52] U.S. Cl. D19/52; D19/36; D19/78; D19/85; D6/85; D6/569; D20/19

[58] Field of Search 434/45, 417, 418; D19/35, 36, 52, 21-23, 77, 78, 81-85, 86, 90, 91, 99, 100; D20/10, 19, 39, 42; D6/300, 527, 553, 569-572; 40/1, 124.1, 124.2, 124.4, 905, 107-120, 122

[56] **References Cited**

U.S. PATENT DOCUMENTS

D. 27,461	8/1897	McConnellogue	D19/52
D. 174,015	2/1955	Bosma	D19/52
D. 268,118	3/1983	Herr .	
D. 270,074	8/1983	Read .	
D. 343,865	2/1994	Pohl	D19/78

D. 371,806	7/1996	Boone .	
D. 377,948	2/1997	Pruhs .	
D. 388,459	12/1997	Jack .	
D. 390,263	2/1998	Jack .	
723,340	3/1903	Tompkins	434/415
4,133,123	1/1979	Anderson .	
5,295,342	3/1994	Roche .	
5,527,568	6/1996	Boone .	
5,658,635	8/1997	Davis .	

Primary Examiner—Martie K. Holtje
Attorney, Agent, or Firm—McCarter & English, LLP; Allen N. Friedman

[57] **CLAIM**

I claim a whiteboard with integrated marker storage, as shown and deccribed.

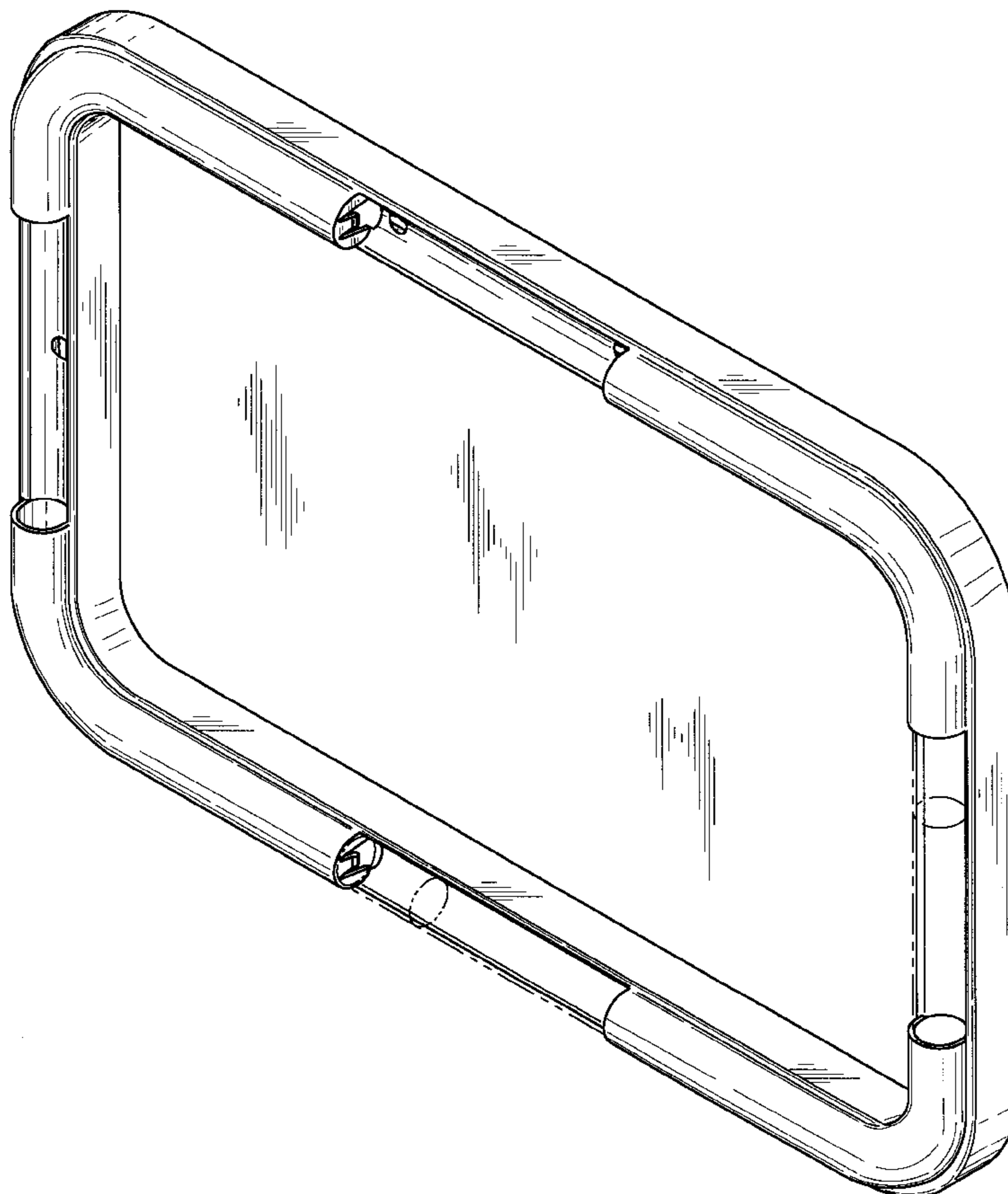
DESCRIPTION

FIG. 1 is a perspective view of a whiteboard with integrated marker storage showing my new design, the two writing instruments depicted by means of broken lines being shown for illustrative purposes only and forming no part of the claimed design;

FIG. 2 is a front elevational view;
FIG. 3 is a bottom plan view; and,
FIG. 4 is a right side elevational view, the left side being a mirror image thereof.

The rear of the article is unornamented.

1 Claim, 2 Drawing Sheets



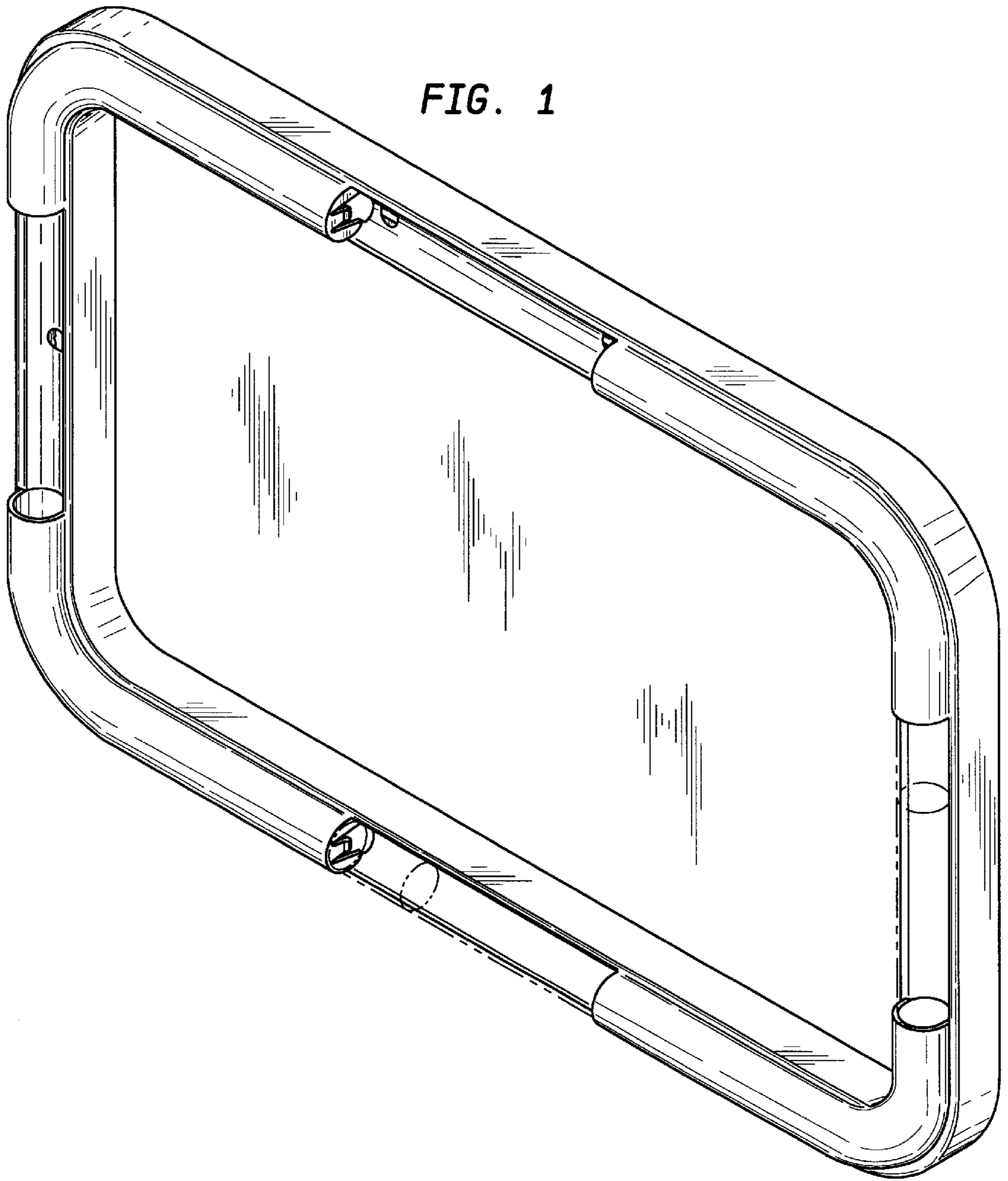


FIG. 2

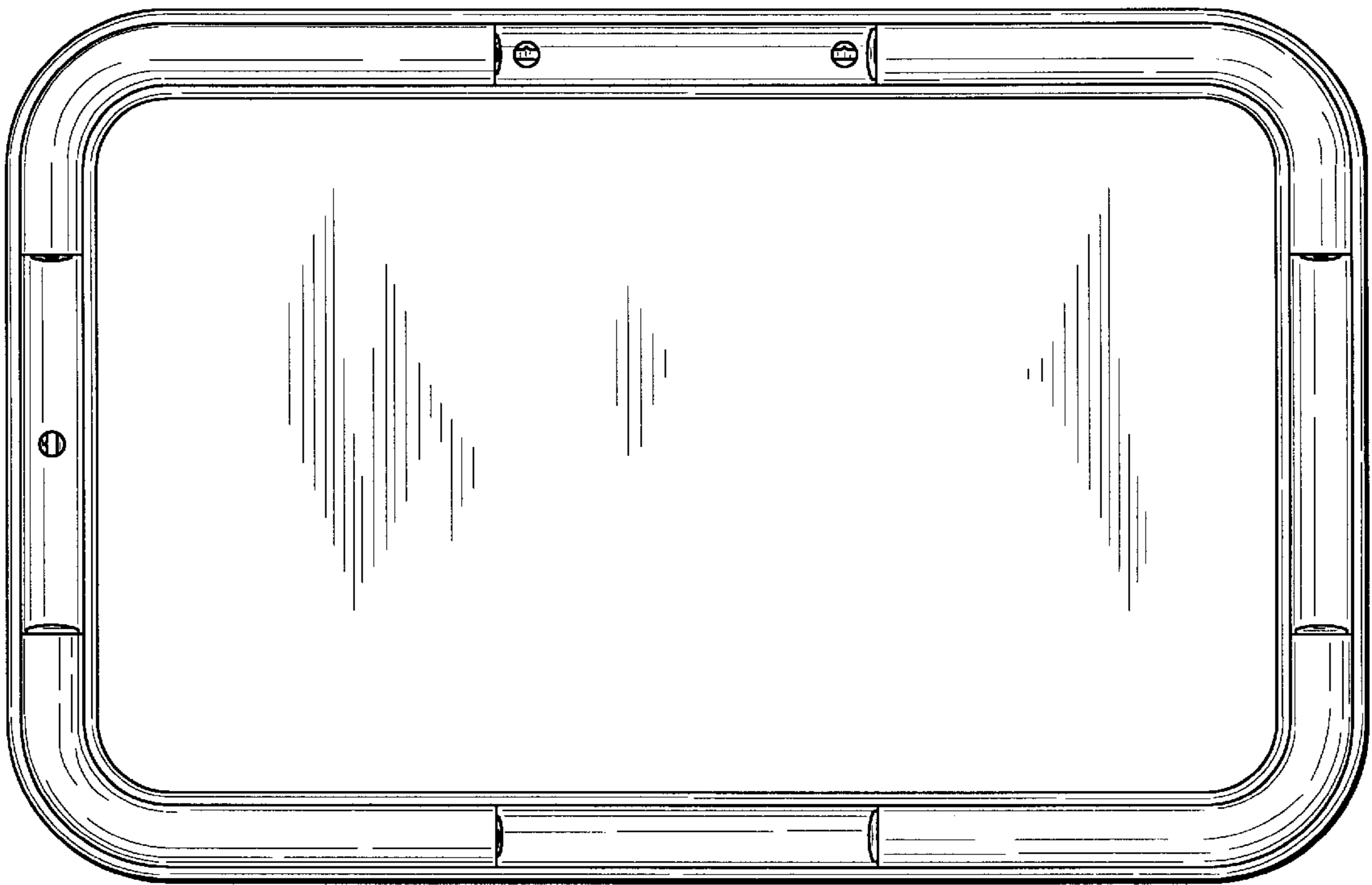


FIG. 3

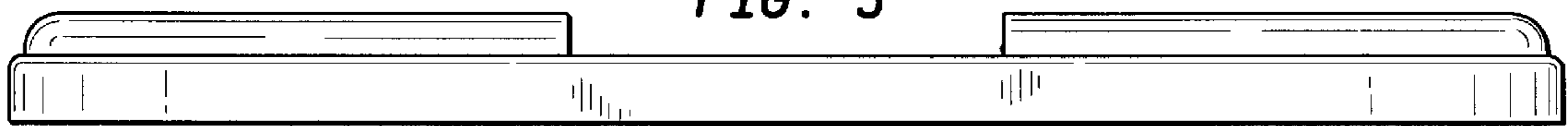


FIG. 4

