

US00D402692S

United States Patent [19] Huang

[11] **Patent Number: Des. 402,692**

[45] **Date of Patent: **Dec. 15, 1998**

[54] **PEN**

[75] **Inventor: Tu-Tan Huang, Tainan, Taiwan**

[73] **Assignee: Hau Mei Industrial Co., Ltd., Tainan, Taiwan**

[**] **Term: 14 Years**

[21] **Appl. No.: 86,229**

[22] **Filed: Apr. 8, 1998**

[51] **LOC (6) Cl. 19-06**

[52] **U.S. Cl. D19/44; D19/41; D19/51**

[58] **Field of Search D3/208, 210; D19/35, D19/36, 41-43, 44, 45-51, 53-58, 81-85; 401/99, 100, 209, 142**

[56] **References Cited**

U.S. PATENT DOCUMENTS

- D. 010,872 10/1878 Gessner D19/44
- D. 187,496 3/1960 Hirata D19/51 X

- D. 276,479 11/1984 Mori D19/36 X
- D. 300,087 3/1989 Henderson D19/51 X
- 3,326,188 6/1967 Long D19/44 X
- 3,424,537 1/1969 Henriksen 401/142

Primary Examiner—Martie K. Holtje
Attorney, Agent, or Firm—Rosenberg, Klein & Bilker

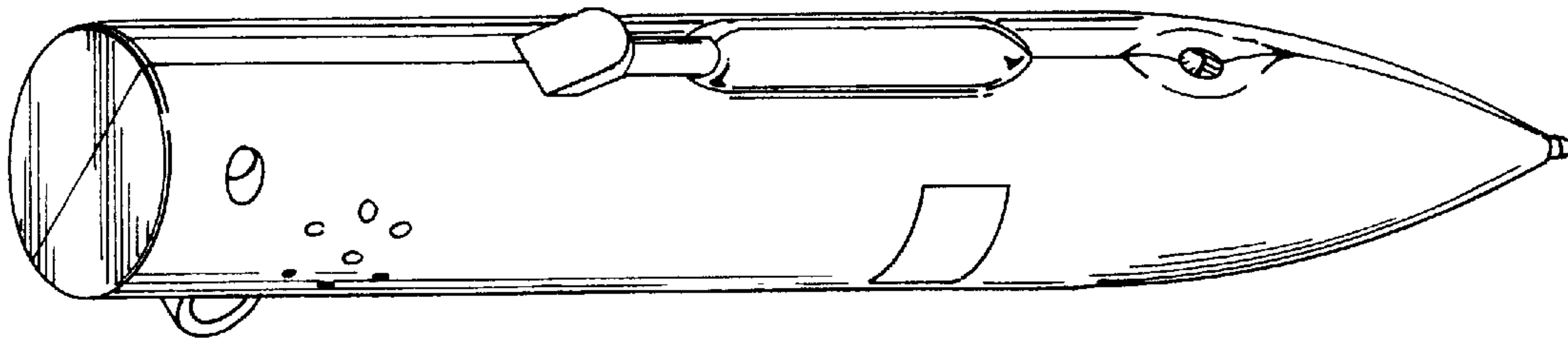
[57] **CLAIM**

The ornamental design for a pen, as shown and described.

DESCRIPTION

FIG. 1 is a perspective view of a pen showing my new design;
FIG. 2 is a front elevational view thereof;
FIG. 3 is a rear elevational view thereof;
FIG. 4 is a left side elevational view thereof;
FIG. 5 is a right side elevational view thereof;
FIG. 6 is a top plan view thereof; and,
FIG. 7 is a bottom plan view thereof.

1 Claim, 2 Drawing Sheets



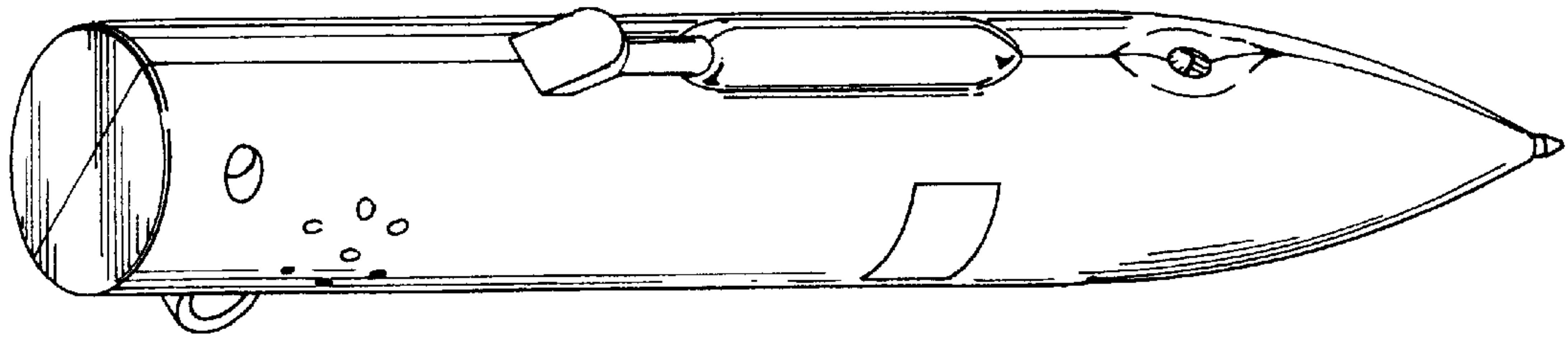


FIG. 1

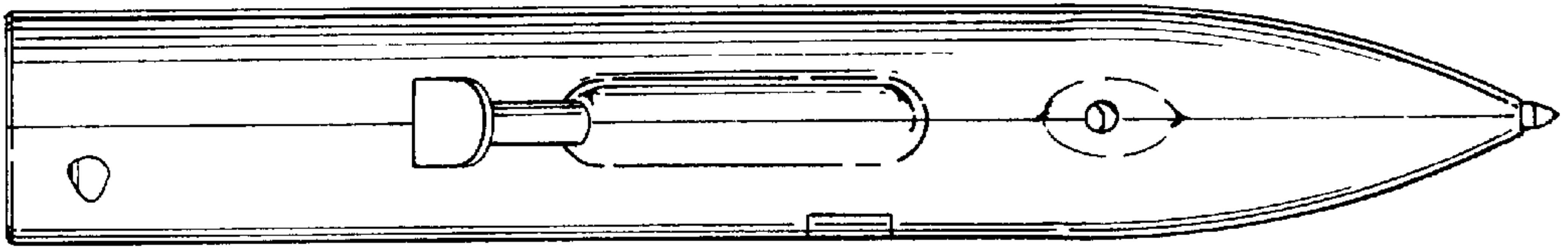


FIG. 2

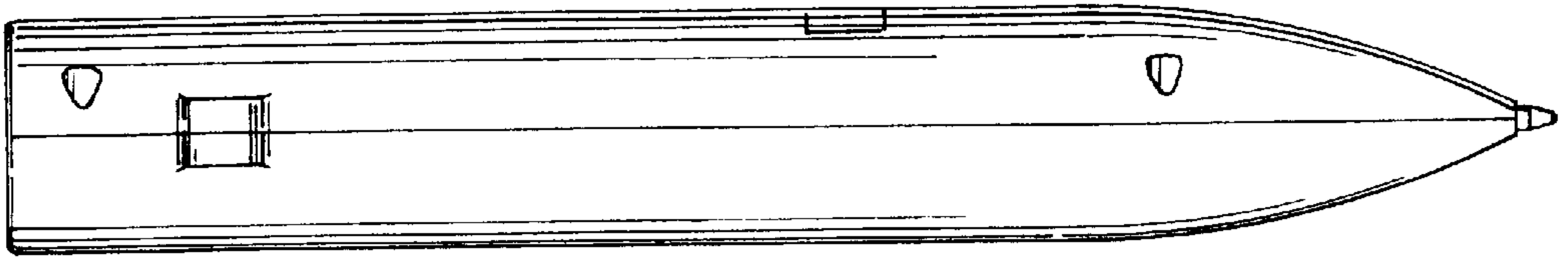


FIG. 3

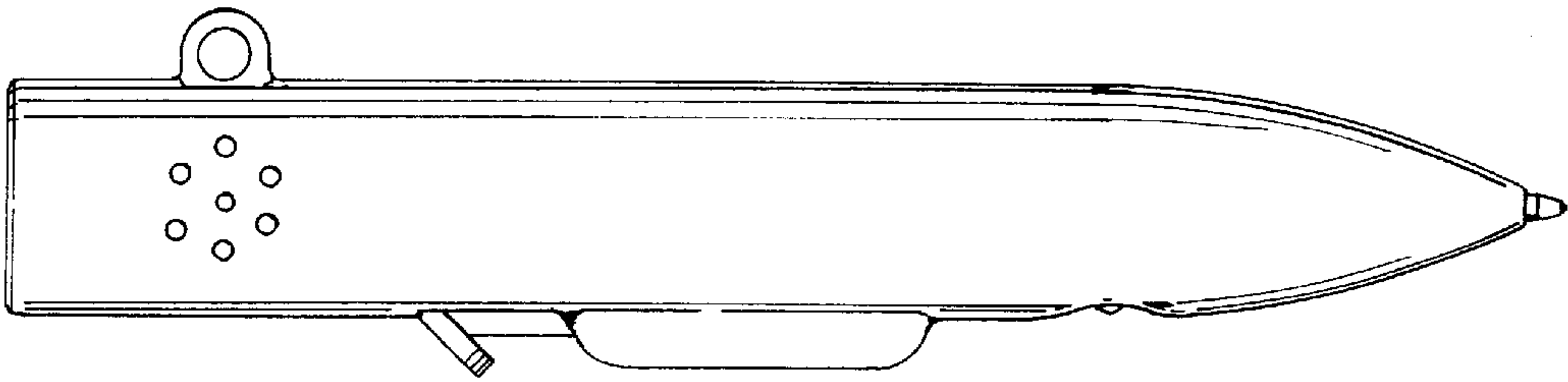


FIG. 4

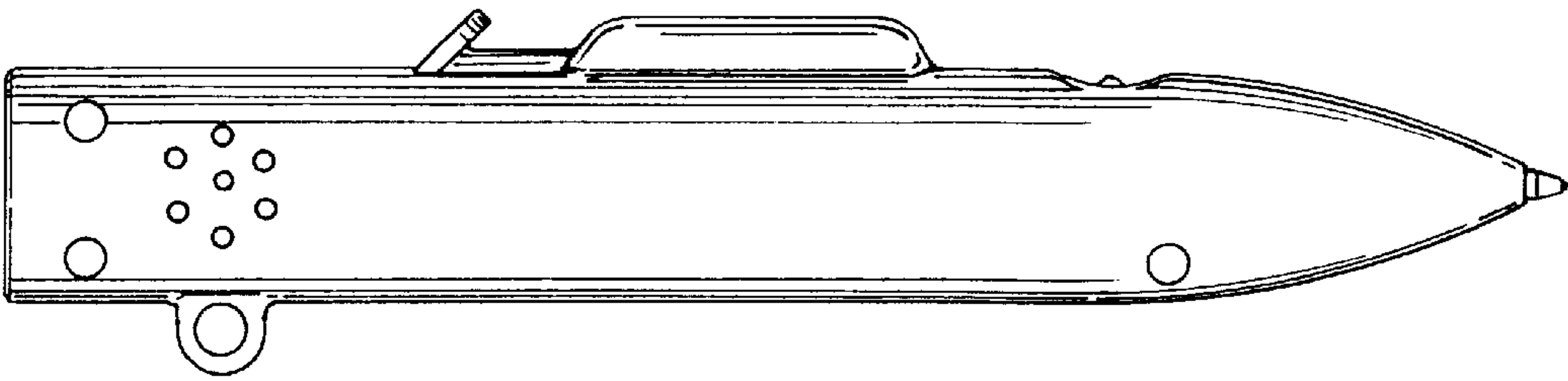


FIG. 5

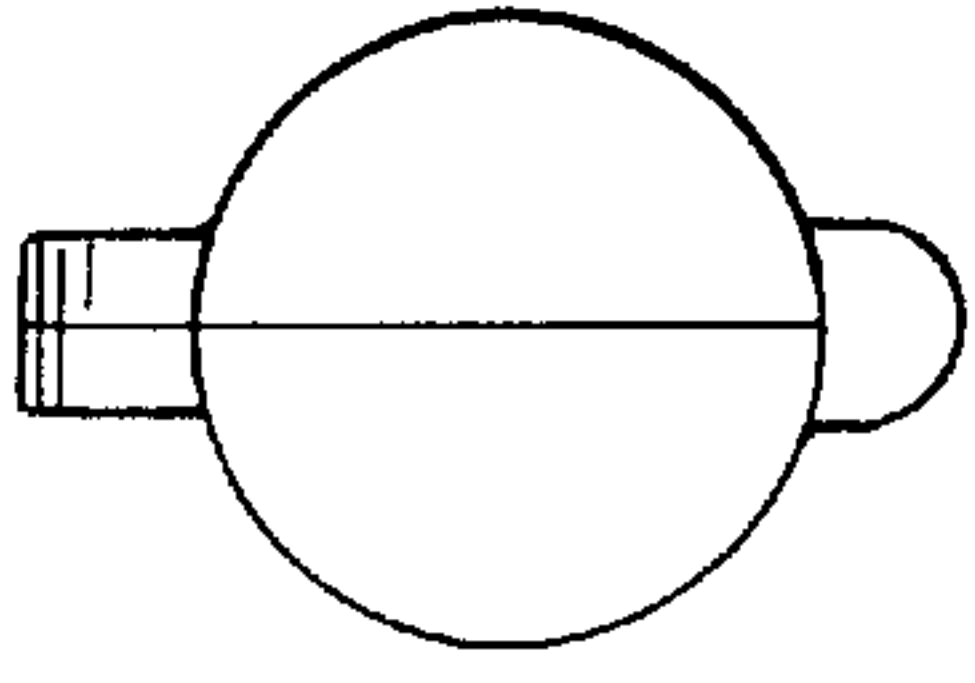


FIG. 6

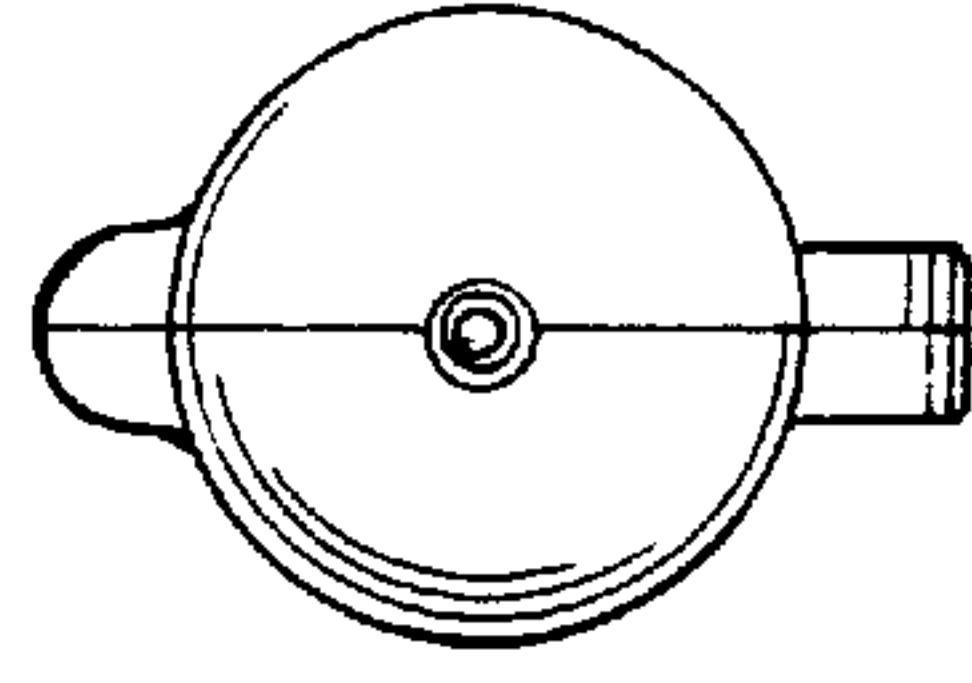


FIG. 7