

US00D402691S

United States Patent [19]
Zbras, Jr.

[11] **Patent Number: Des. 402,691**
[45] **Date of Patent: **Dec. 15, 1998**

[54] **COLORING IMPLEMENT GUARD**

[76] Inventor: **Richard T Zbras, Jr.**, 494 Huntington Turnpike, Bridgeport, Conn. 06610

[**] Term: **14 Years**

[21] Appl. No.: **84,219**

[22] Filed: **Feb. 26, 1998**

[51] **LOC (6) Cl.** **19-06**

[52] **U.S. Cl.** **D19/36; D19/54; D19/73; D19/51**

[58] **Field of Search** D19/35, 36, 41-51, D19/53-58, 81-85; 401/50, 51, 52, 75, 31, 174, 88, 116, 6, 83, 84, 7, 195; 144/28.1-28.9, 30; 30/451, 454, 457, 462

[56] **References Cited**

U.S. PATENT DOCUMENTS

2,495,342	1/1950	Moore	401/84
3,265,201	8/1966	Edwards	401/84
3,320,962	5/1967	Moriber et al.	401/31
3,436,163	4/1969	Calabrese et al.	401/195
3,672,783	6/1972	Bajusz	401/116
5,048,989	9/1991	Stageman	401/83
5,551,787	9/1996	Rosenthal	401/50

Primary Examiner—Martie K. Holtje

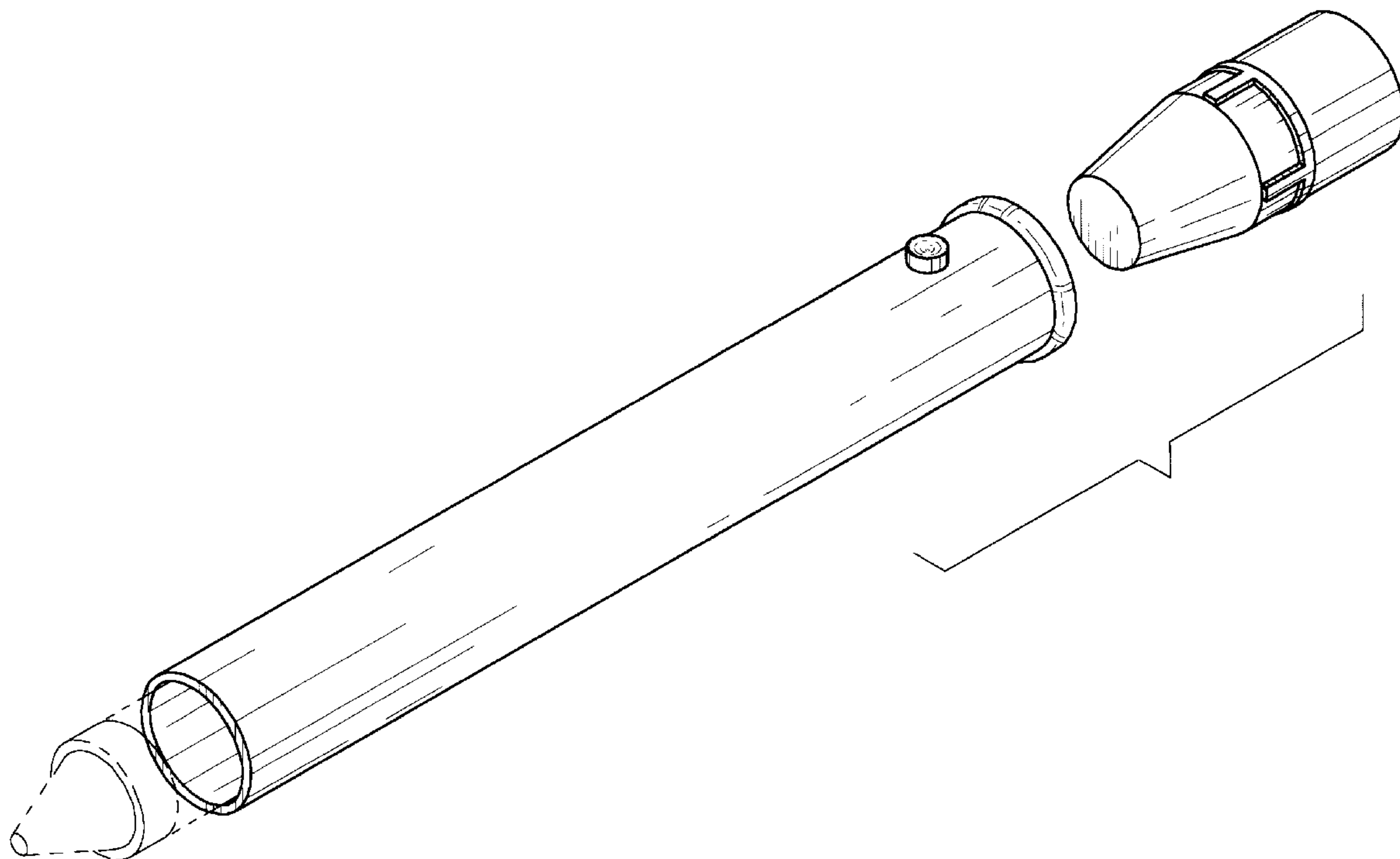
[57] **CLAIM**

The ornamental design for a coloring implement guard, as shown and described.

DESCRIPTION

FIG. 1 is a front elevational view of the coloring implement guard of the present invention;
 FIG. 2 is a rear elevational view of the coloring implement guard of FIG. 1;
 FIG. 3 is a left side elevational view of the coloring implement guard of FIG. 1;
 FIG. 4 is a right side elevational view of the coloring implement guard of FIG. 1;
 FIG. 5 is a top plan view of the coloring implement guard of FIG. 1;
 FIG. 6 is a bottom plan view of the coloring implement guard of FIG. 1; and,
 FIG. 7 is a perspective view of the coloring implement guard of FIG. 1 in an exploded condition, the portion of a crayon depicted by means of broken lines being shown for illustrative purposes only and forming no part of the claimed design.

1 Claim, 3 Drawing Sheets



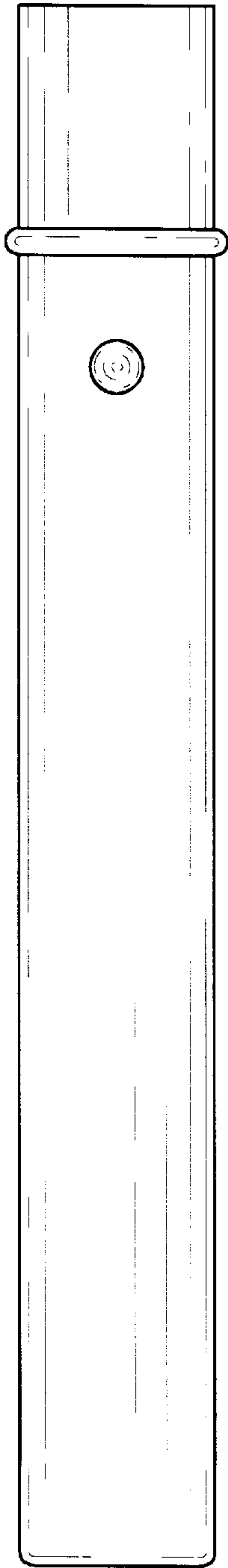


Fig. 1

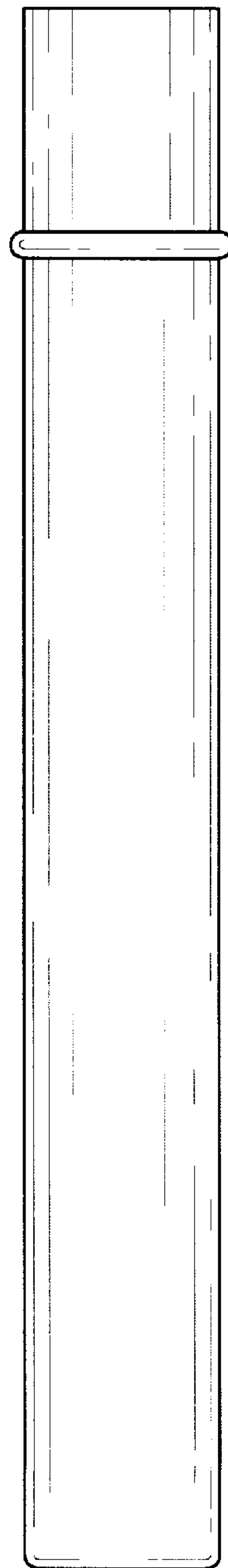


Fig. 2

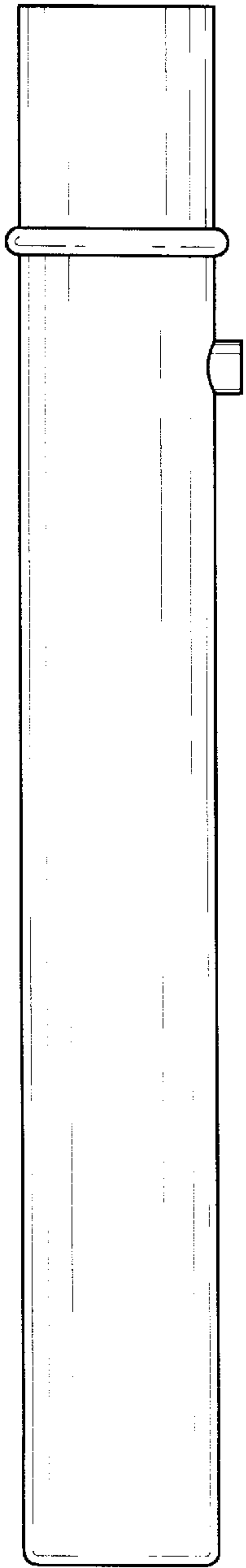


Fig. 3

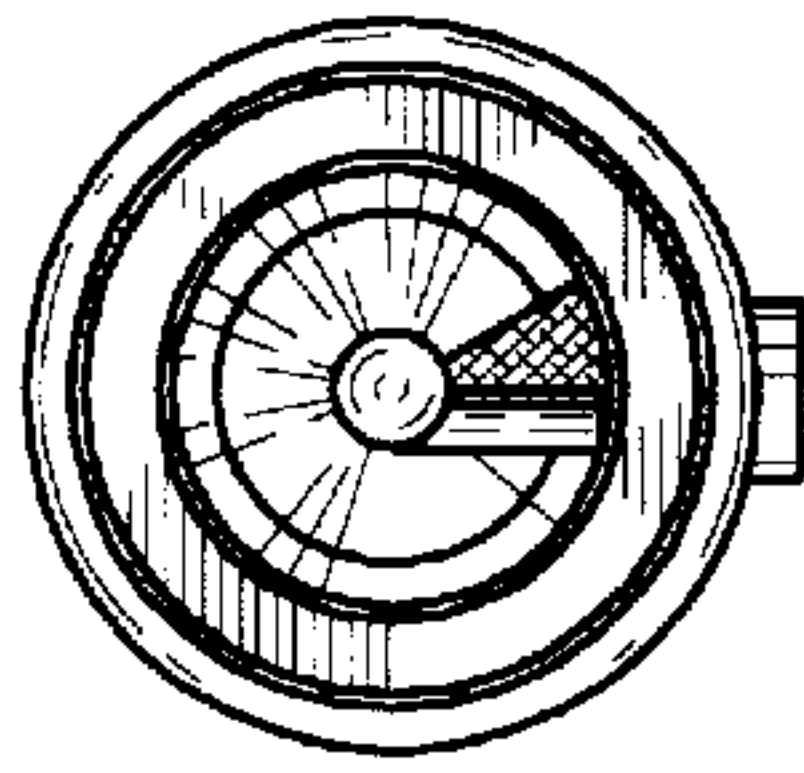


Fig. 5

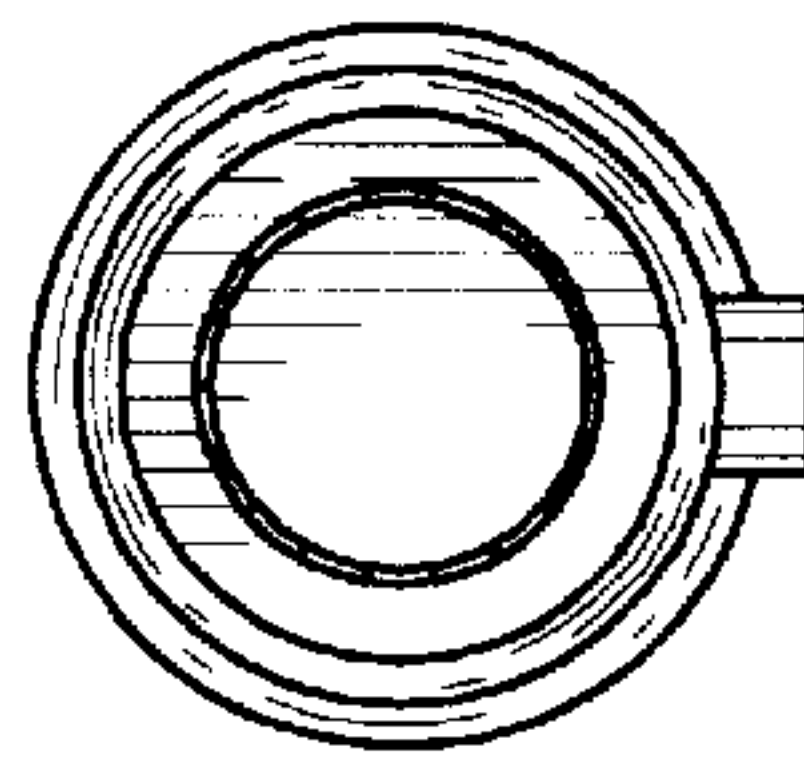


Fig. 6

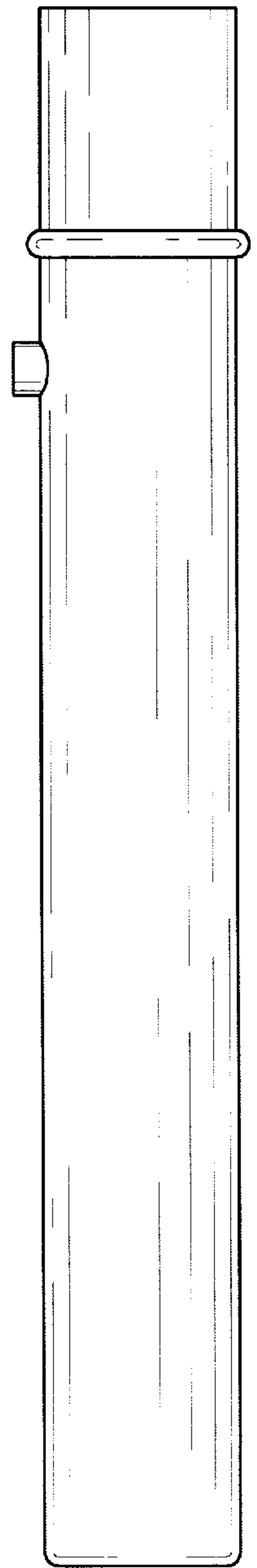


Fig. 4

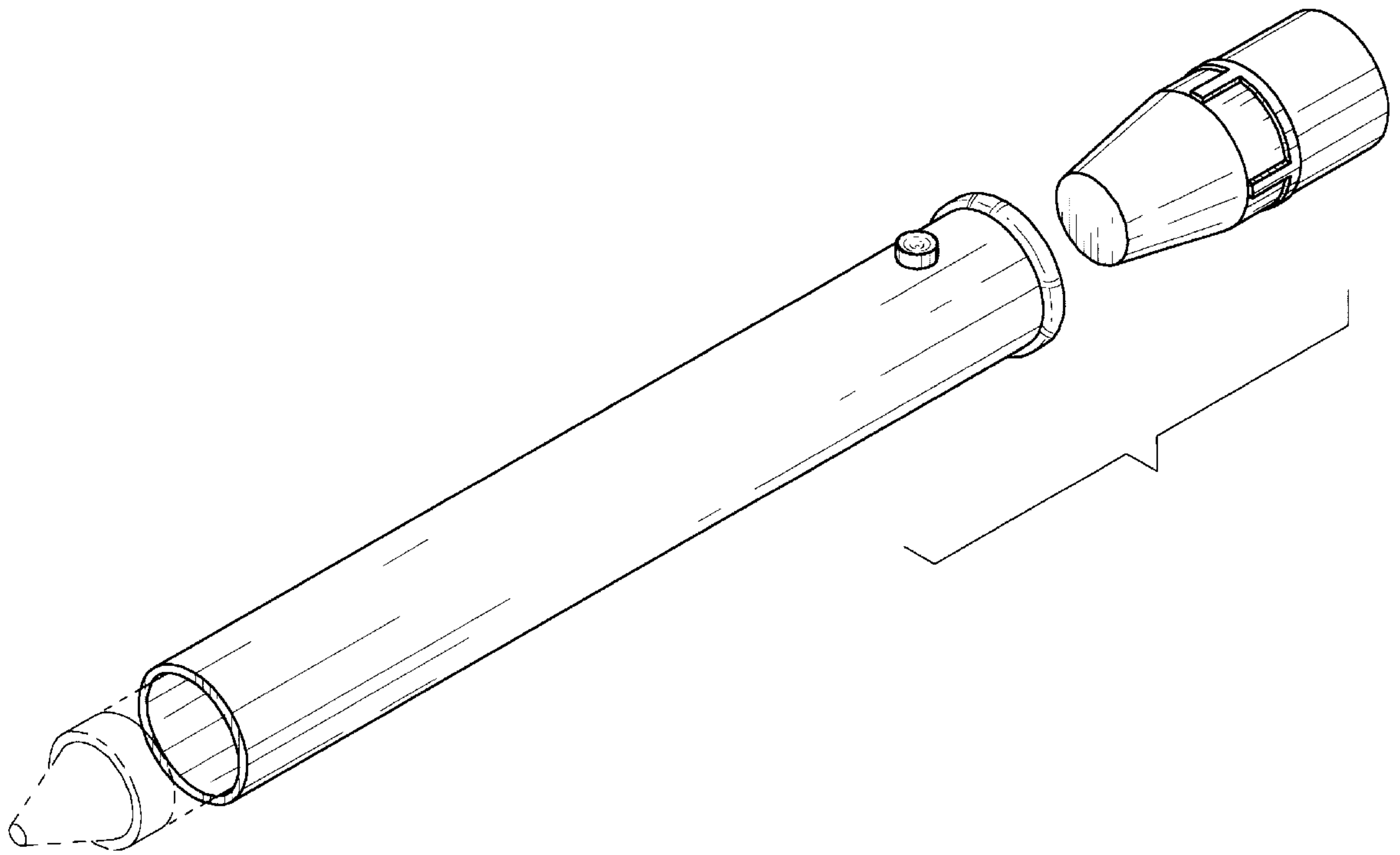


Fig. 7